



US00D342736S

# United States Patent [19]

[11] Patent Number: Des. 342,736

Scheid et al.

[45] Date of Patent: \*\* Dec. 28, 1993

## [54] SELECTIVE CALL RECEIVER

[75] Inventors: William J. Scheid, Coral Springs; Robert Kurchart, Boca Raton; Joseph E. Laviana, Lake Worth, all of Fla.

[73] Assignee: Motorola, Inc., Schaumburg, Ill.

[\*\*] Term: 14 Years

[21] Appl. No.: 715,958

[22] Filed: Jun. 17, 1991

[52] U.S. Cl. .... D14/191

[58] Field of Search ..... D14/124, 191, 192, 188, D14/299; 455/92, 100, 128, 344, 350-351; 340/311.1

## [56] References Cited

### U.S. PATENT DOCUMENTS

- D. 284,472 7/1986 Nakatani et al. .... D14/191
- D. 326,094 5/1992 Muraki et al. .... D14/191
- D. 327,267 6/1992 Scheid et al. .... D14/191
- 5,175,873 12/1992 Goldenberg et al. .... 455/128 X

## OTHER PUBLICATIONS

British Telecommunications Engineering, vol. 8, Jan. 1990, p. 270, Series 1200 radiopagers.

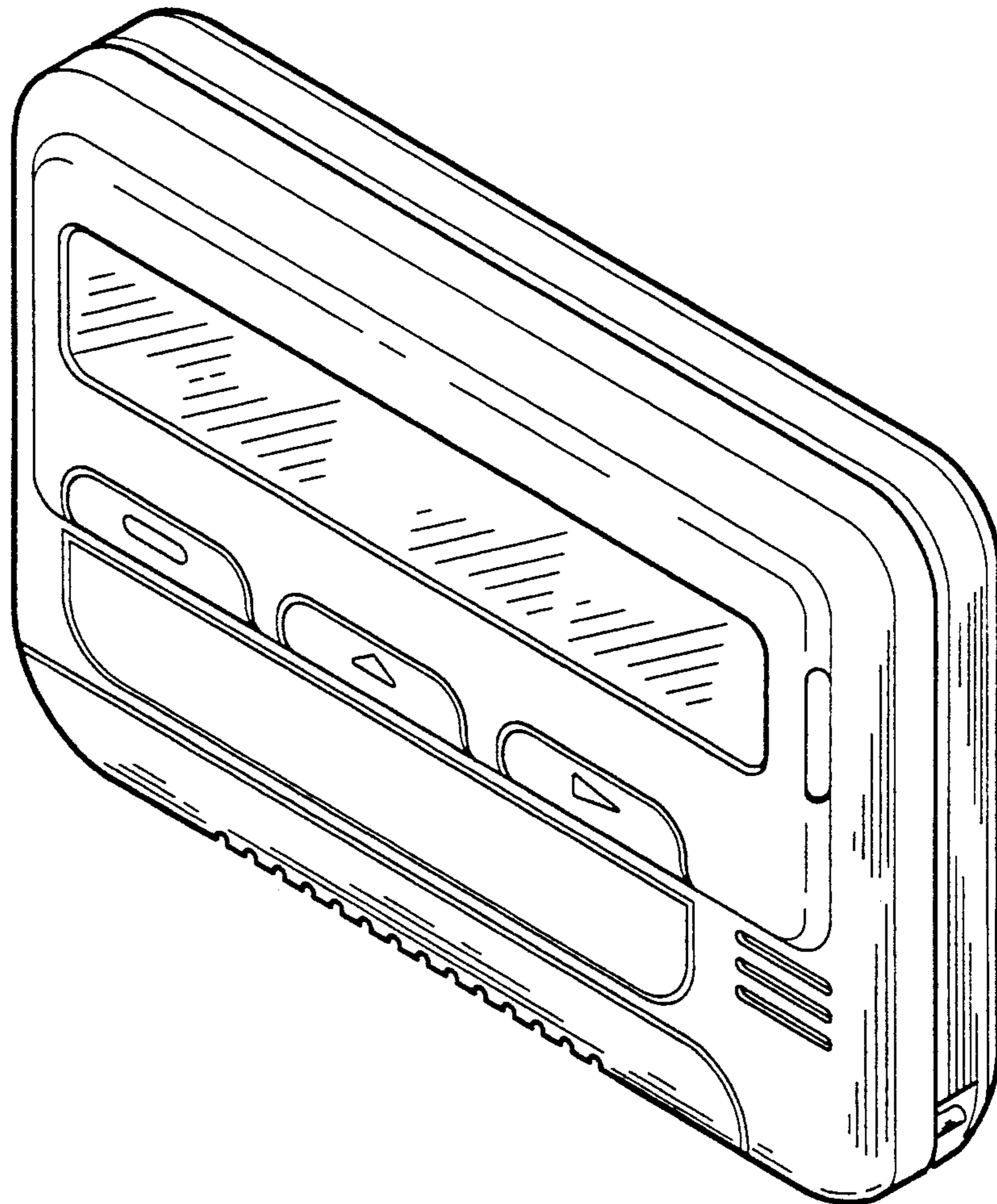
Primary Examiner—Theodore M. Shooman  
Attorney, Agent, or Firm—Gregg E. Rasor; William E. Koch; Thomas G. Berry

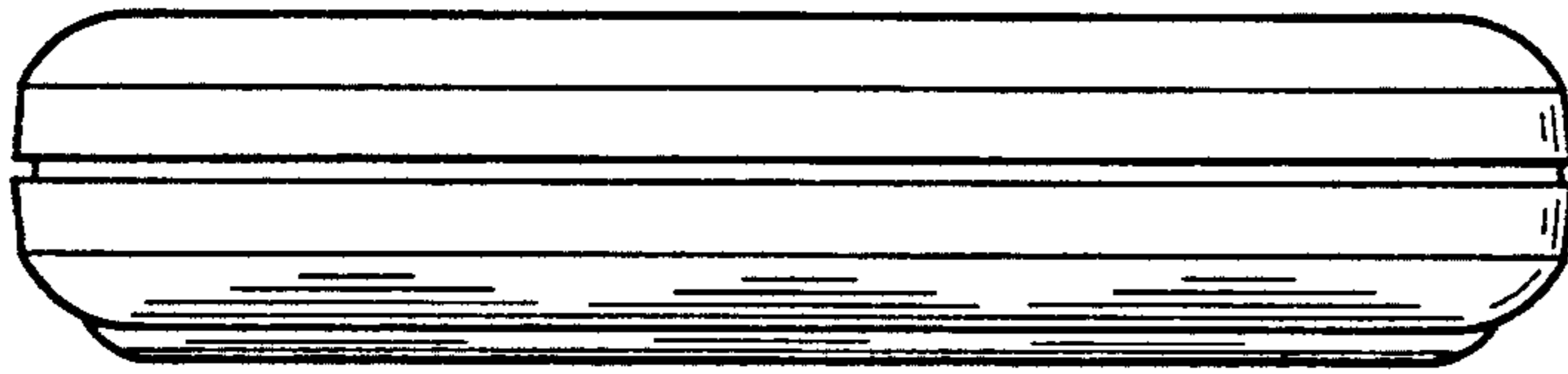
## [57] CLAIM

The ornamental design for a selective call receiver, as shown and described.

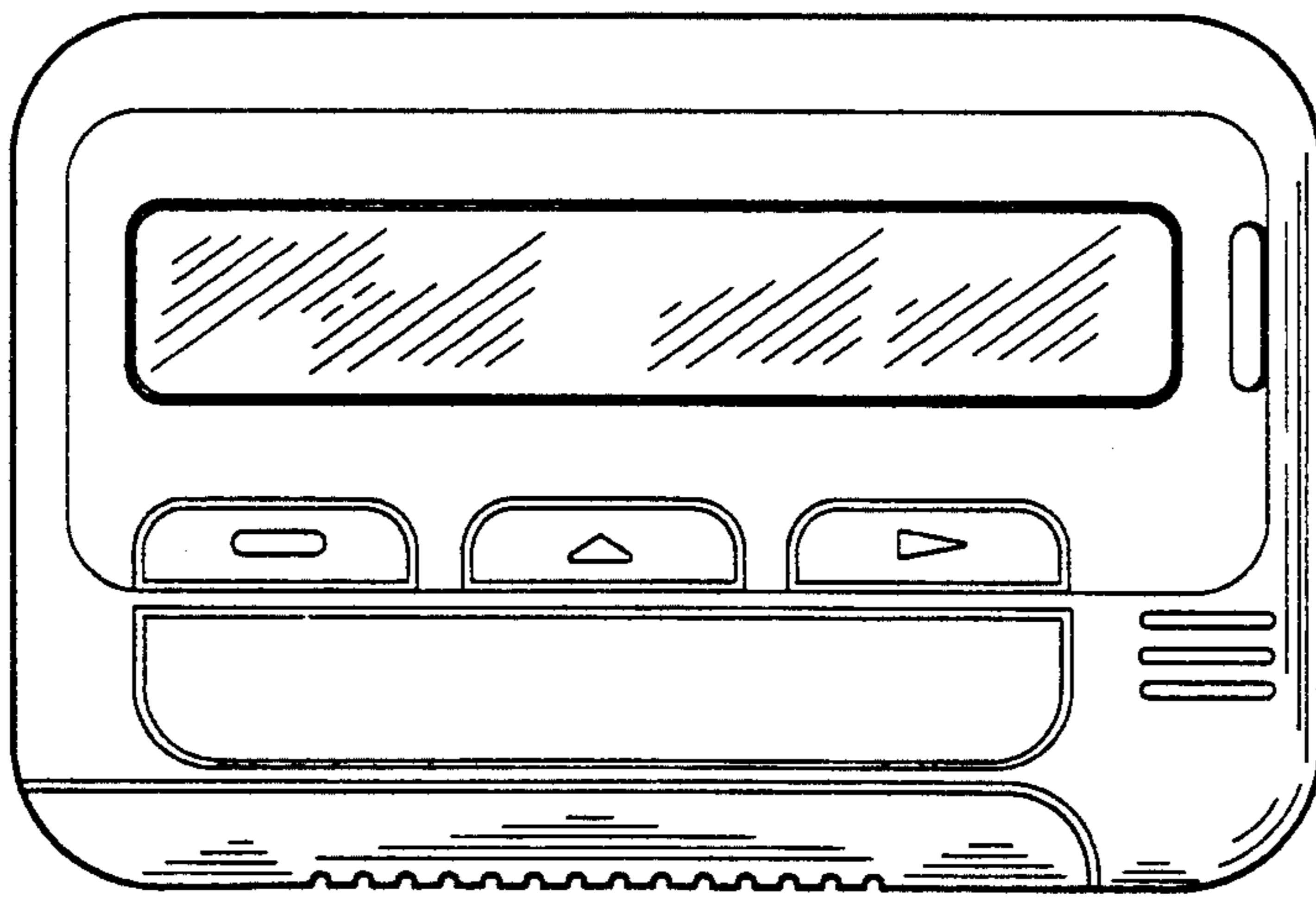
## DESCRIPTION

FIG. 1 is a top plan view of a selective call receiver showing our new design;  
 FIG. 2 is a front elevational view thereof;  
 FIG. 3 is a right side elevational view thereof;  
 FIG. 4 is a rear elevational view thereof;  
 FIG. 5 is a bottom plan view thereof;  
 FIG. 6 is a left side elevational view thereof; and,  
 FIG. 7 is a top, front and right side perspective view thereof.

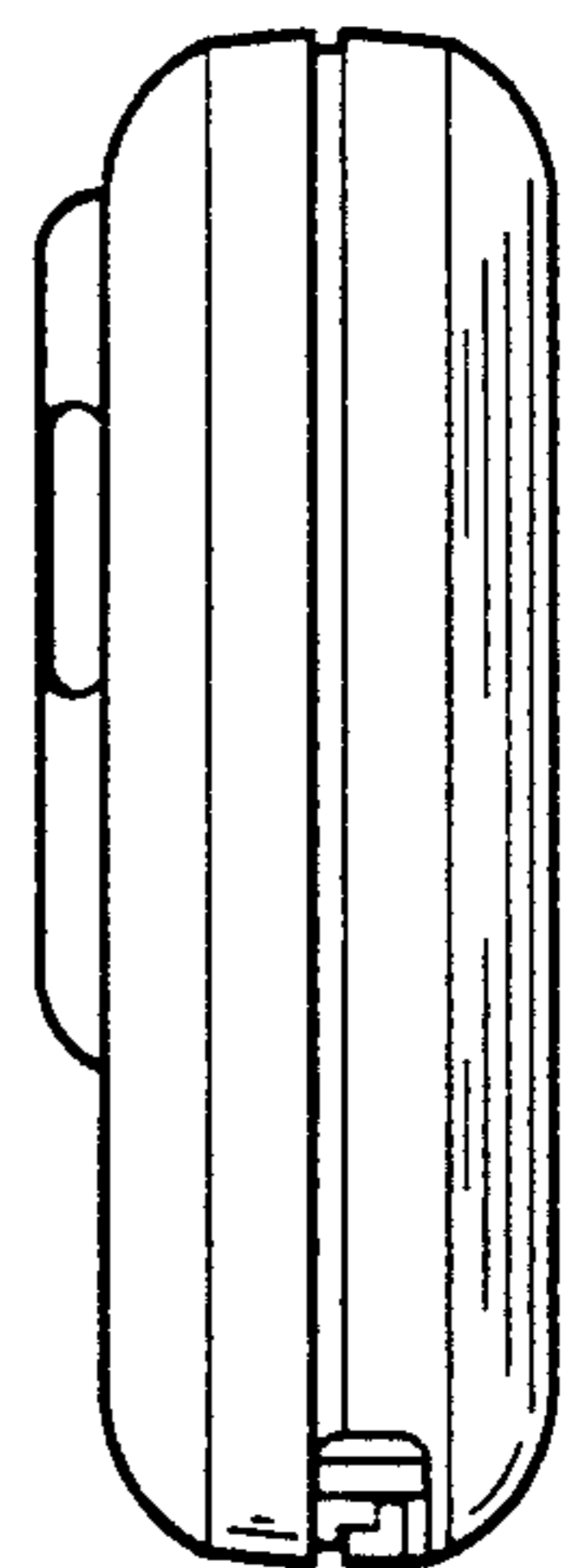




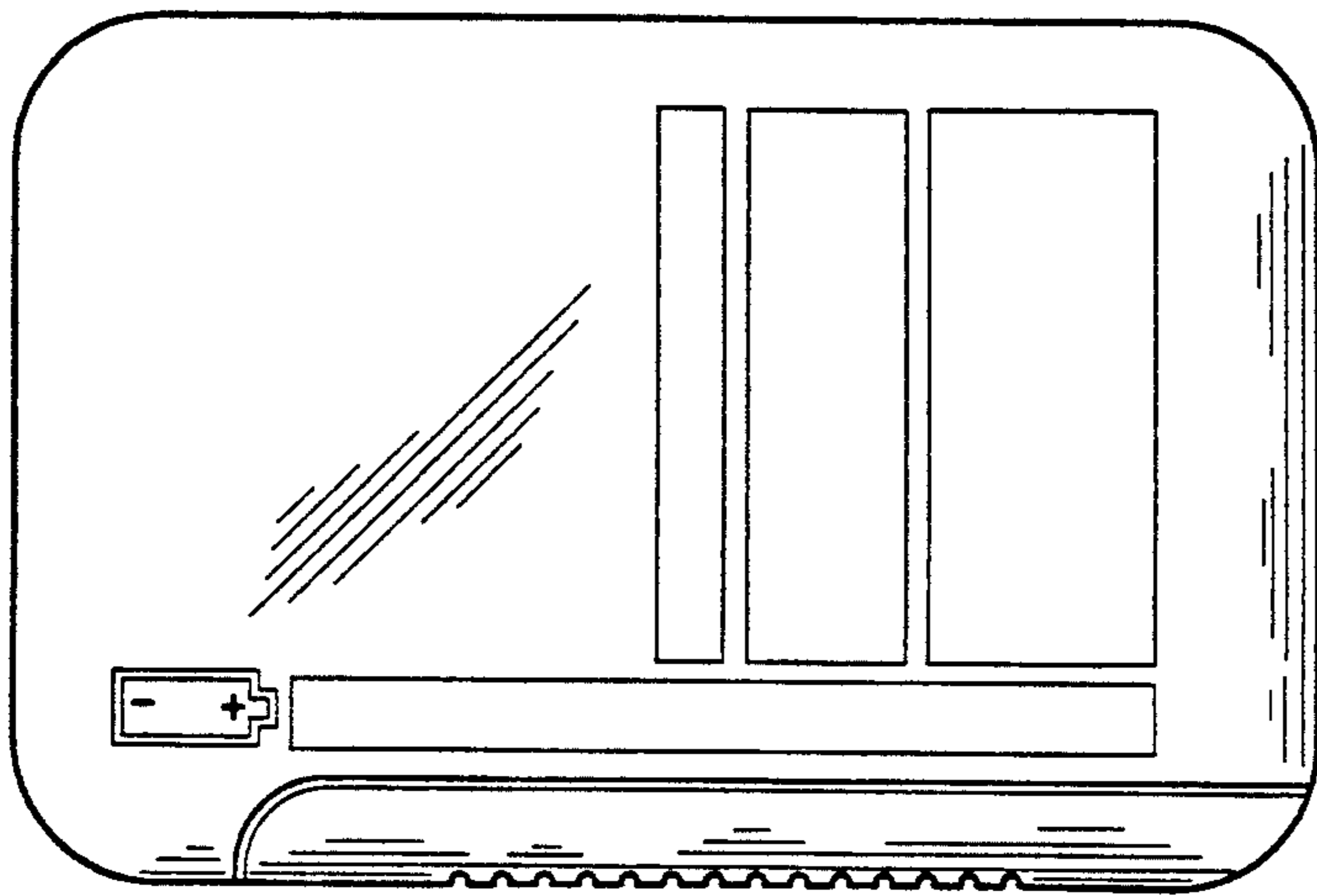
*FIG. 1*



*FIG. 2*



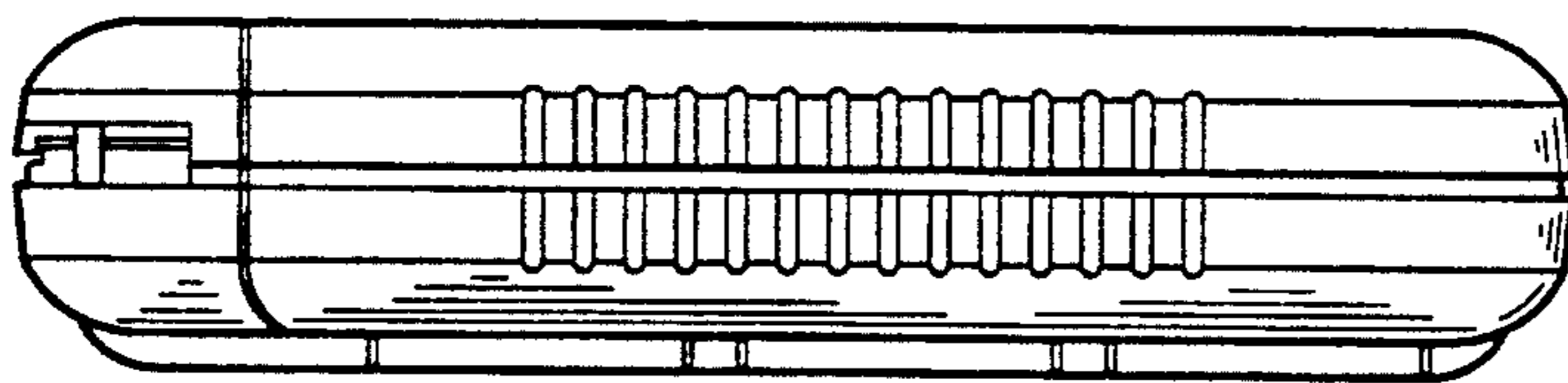
*FIG. 3*



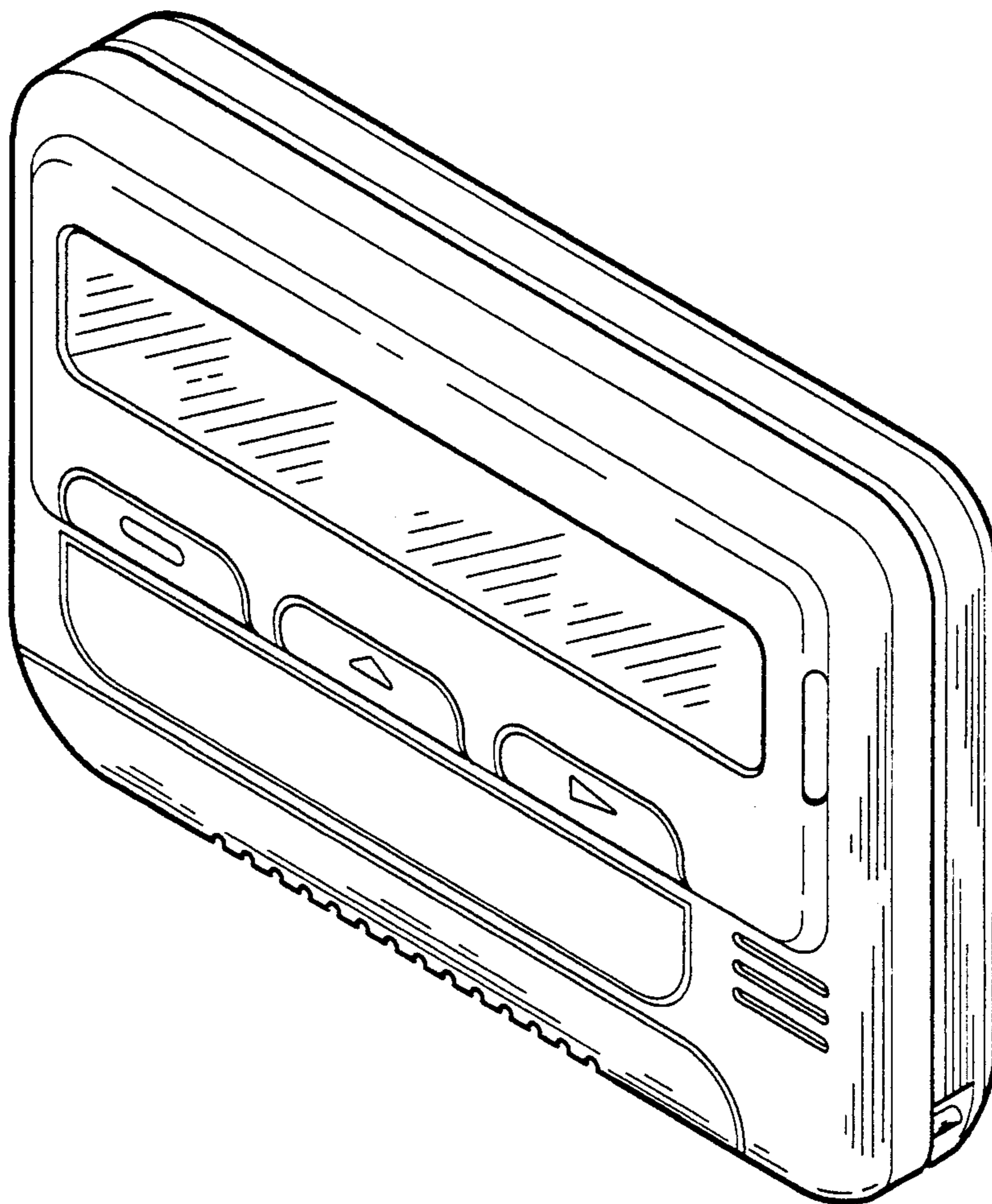
*FIG. 4*



*FIG. 6*



*FIG. 5*



*FIG. 7*