



US00D342730S

United States Patent [19]

[11] Patent Number: **Des. 342,730**

Nagele

[45] Date of Patent: **** Dec. 28, 1993**

[54] **TELEPHONE HANDSET HOUSING**

[75] Inventor: **Albert L. Nagele, Wilmette, Ill.**

[73] Assignee: **Motorola, Inc., Schaumburg, Ill.**

[**] Term: **14 Years**

[21] Appl. No.: **940,704**

[22] Filed: **Sep. 4, 1992**

[52] U.S. Cl. **D14/148; D14/247**

[58] Field of Search **D14/137, 138, 140, 142, D14/149-151, 240, 248, 147, 148, 247; 379/58-61, 433, 434, 440, 419, 428**

- D. 315,907 4/1991 Wong et al. D14/138 X
- D. 316,859 5/1991 Wong D14/247 X
- D. 322,782 12/1991 Nakamachi et al. D14/148 X
- D. 322,783 12/1991 Saluja et al. D14/147 X
- D. 337,332 7/1993 Saluja et al. D14/148 X

Primary Examiner—Nelson C. Holtje
Assistant Examiner—Jeffrey Asch
Attorney, Agent, or Firm—Kirk W. Dailey; F. John Motsinger; Rolland R. Hackbart

[57] **CLAIM**

The ornamental design for a telephone handset housing, as shown and described.

DESCRIPTION

FIG. 1 is a front, top, and right side perspective view showing my new design for a telephone handset housing in full lines, with the broken line matter being for illustrative purposes only and forming no part of the claimed design;

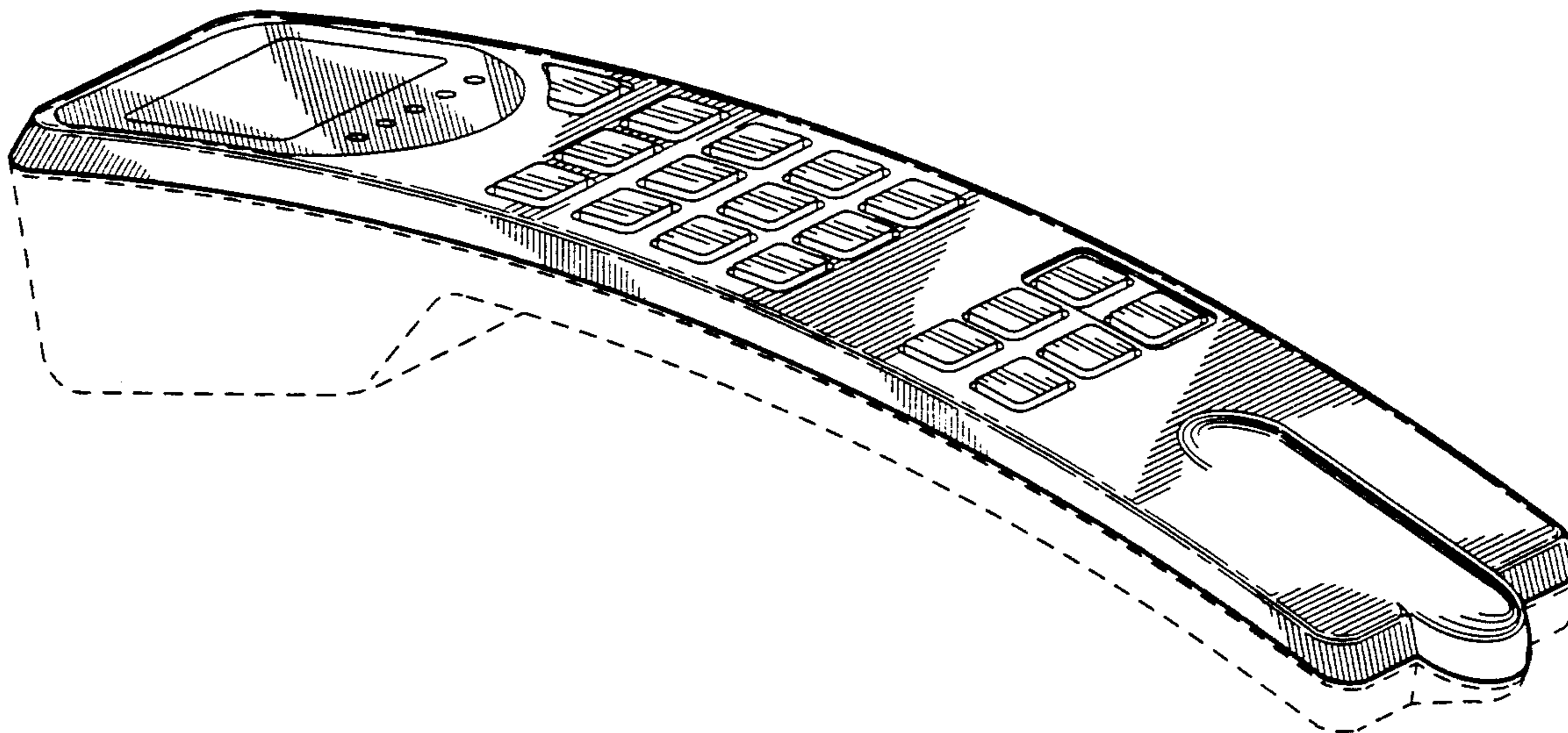
FIG. 2 is a left elevational view thereof in full lines, with the broken line matter being for illustrative purposes only and forming no part of the claimed design; and,

FIG. 3 is a rear elevational view thereof in full lines, with the broken line matter being for illustrative purposes only and forming no part of the claimed design.

[56] **References Cited**

U.S. PATENT DOCUMENTS

- D. 246,043 10/1977 Taylor D14/53
- D. 246,103 10/1977 Taylor D14/53
- D. 248,758 8/1978 Krolopp D14/53
- D. 260,518 9/1981 Larson D14/53
- D. 271,491 11/1983 Taylor D14/76
- D. 286,778 11/1986 Beaumont D14/64
- D. 292,578 11/1987 Taylor D14/62
- D. 292,920 11/1987 Taylor D14/62
- D. 295,973 5/1988 Nagele D14/66
- D. 295,975 5/1988 Taylor et al. D14/64
- D. 299,136 12/1988 Taylor D14/63
- D. 315,565 3/1991 Taylor D14/138 X



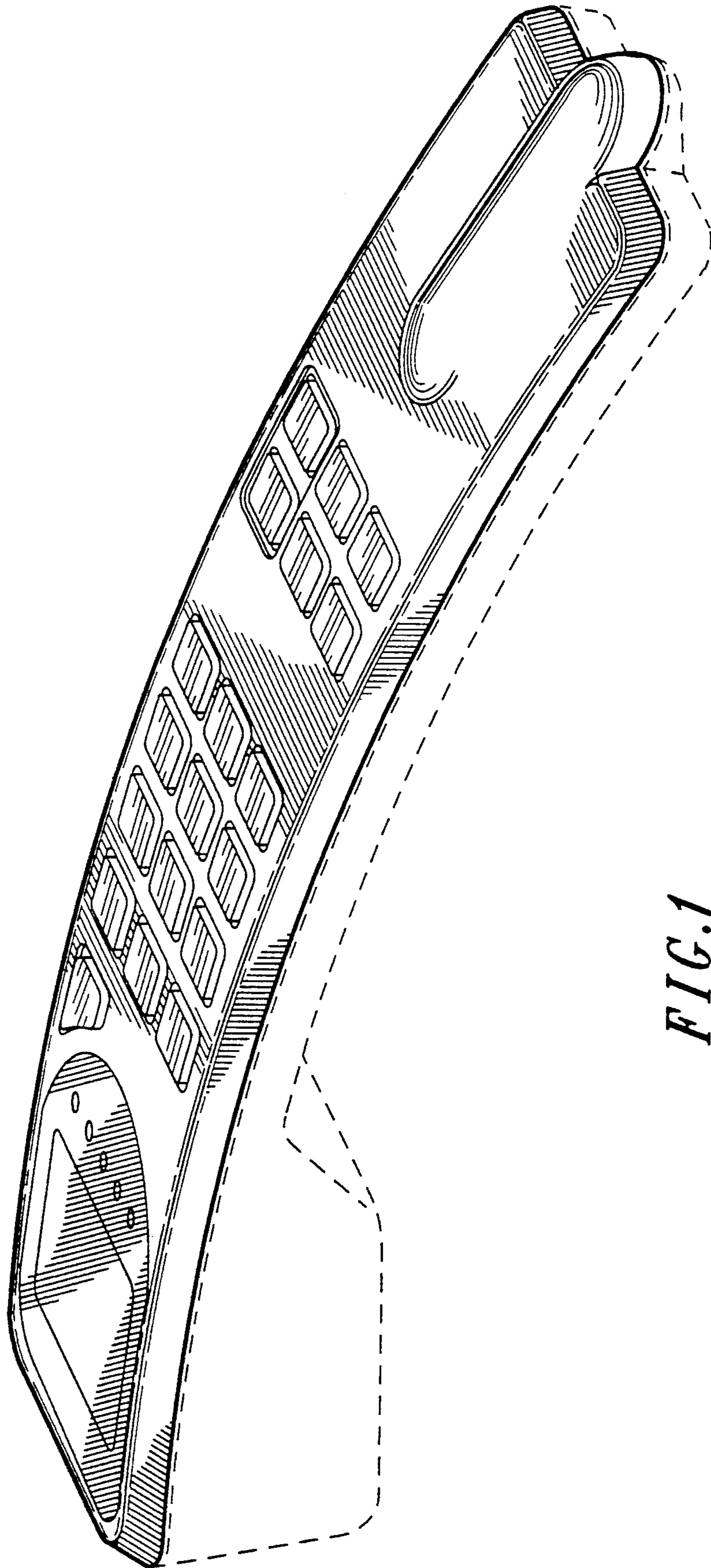


FIG. 1

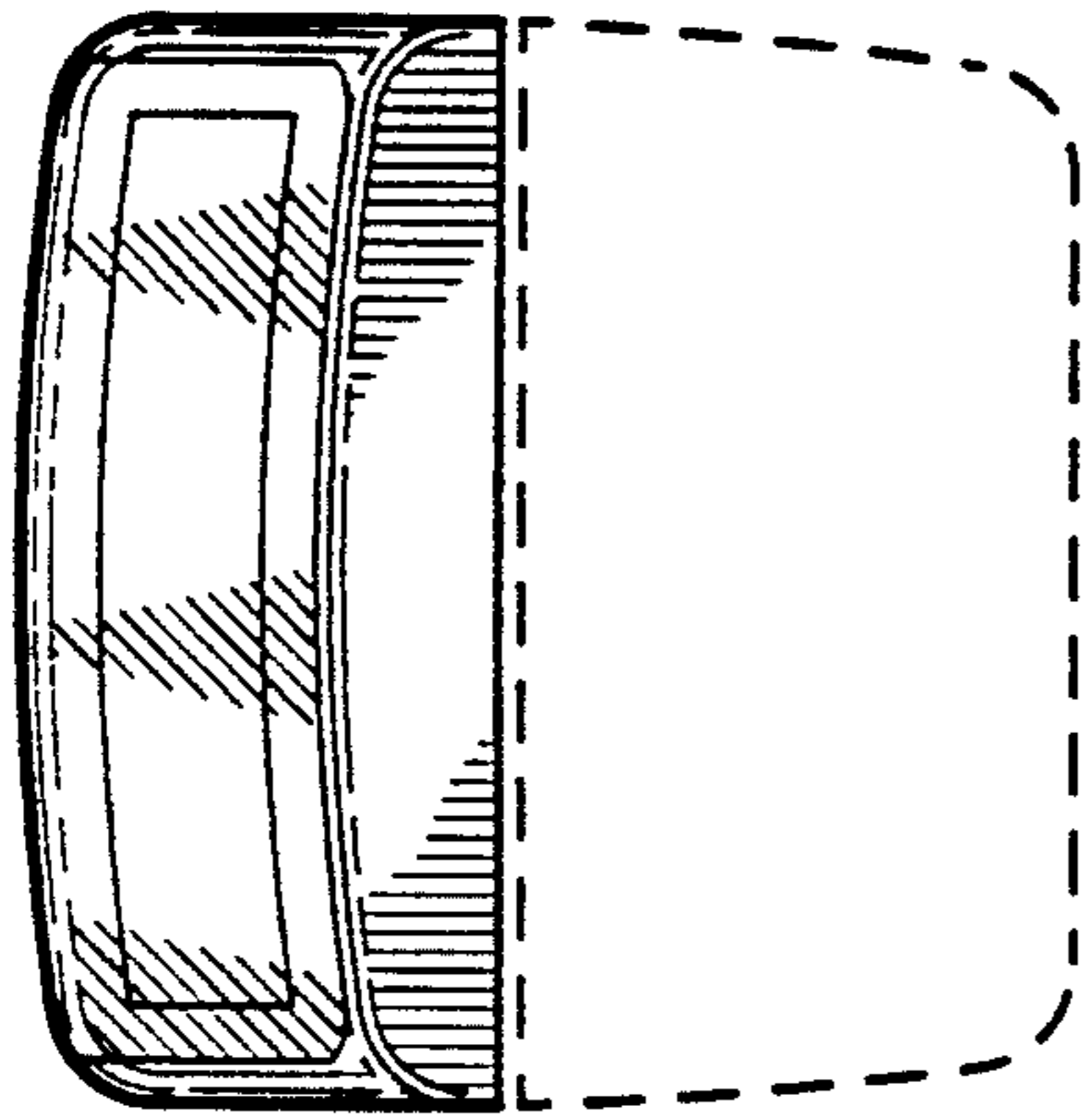


FIG. 3

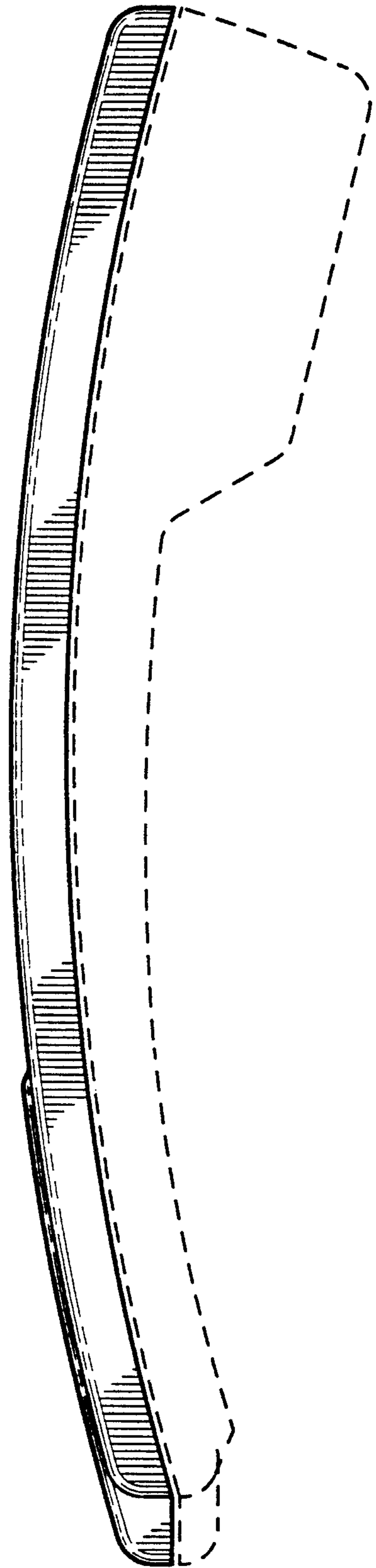


FIG. 2