



US00D342729S

United States Patent [19]

[11] Patent Number: **Des. 342,729**

Nagele

[45] Date of Patent: **** Dec. 28, 1993**

[54] **TELEPHONE HANDSET HOUSING**

[75] Inventor: **Albert L. Nagele, Wilmette, Ill.**

[73] Assignee: **Motorola, Inc., Schaumburg, Ill.**

[**] Term: **14 Years**

[21] Appl. No.: **939,902**

[22] Filed: **Sep. 4, 1992**

[52] U.S. Cl. **D14/148; D14/247**

[58] Field of Search **D14/137, 138, 140, 142, D14/149-151, 147, 148, 240, 248, 247; 379/58-61, 419, 428, 433, 434, 440**

D. 315,907	4/1991	Wong et al.	D14/138 X
D. 316,859	5/1991	Wong et al.	D14/247 X
D. 322,782	12/1991	Nakamachi et al.	D14/148 X
D. 322,783	12/1991	Saluja et al.	D14/147 X
D. 337,332	7/1993	Saluja et al.	D14/148 X

Primary Examiner—Nelson C. Holtje
Assistant Examiner—Jeffrey Asch
Attorney, Agent, or Firm—Kirk W. Dailey; F. John Motsinger; Rolland R. Hackbart

[57] **CLAIM**

The ornamental design for a telephone handset housing, as shown and described.

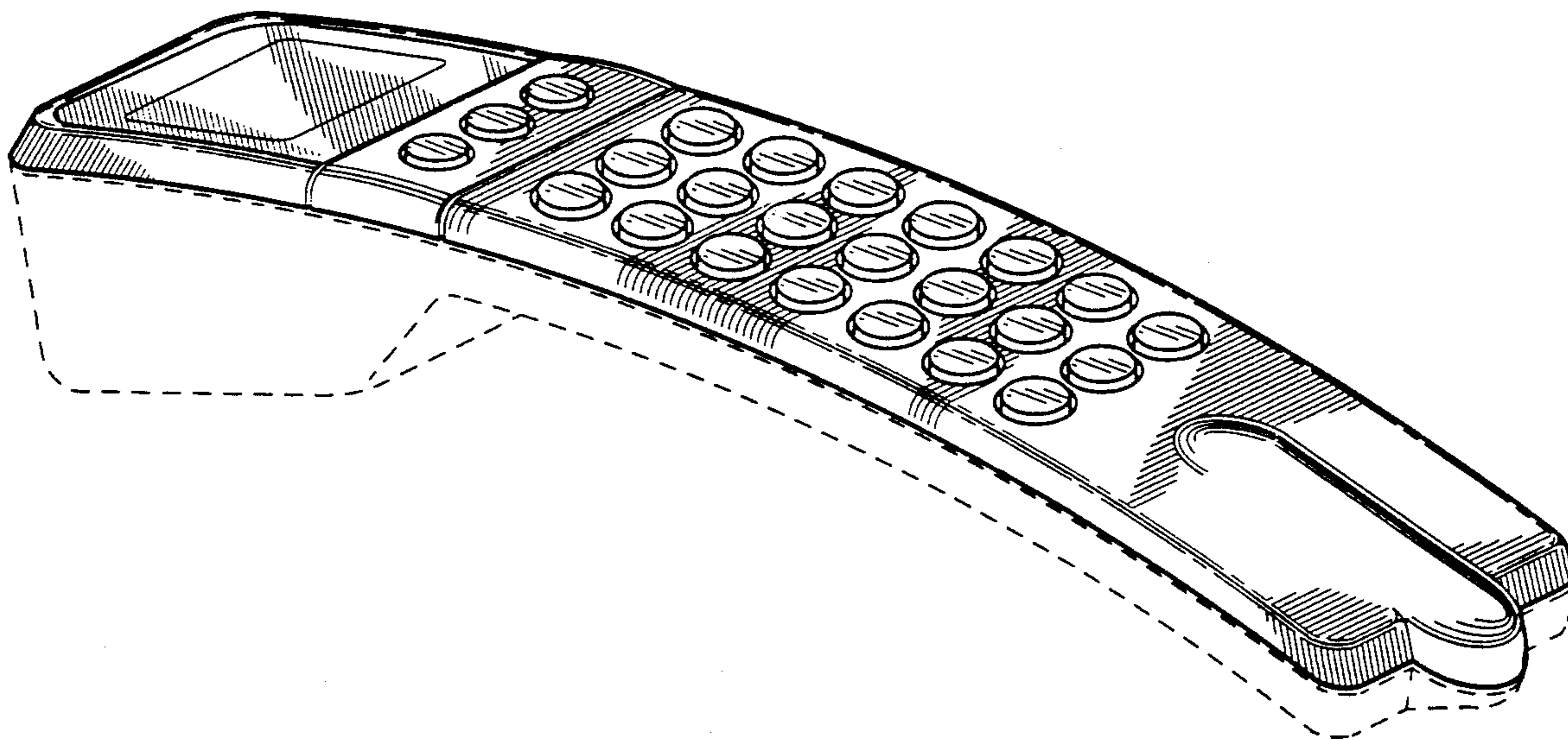
DESCRIPTION

FIG. 1 is a front, top, and right side perspective view showing my new design for a telephone handset housing in full lines, with the broken line matter being for illustrative purposes only and forming no part of the claimed design;
FIG. 2 is a left elevational view thereof in full lines, with the broken line matter being for illustrative purposes only and forming no part of the claimed design; and,
FIG. 3 is a rear elevational view thereof in full lines, with the broken line matter being for illustrative purposes only and forming no part of the claimed design.

[56] **References Cited**

U.S. PATENT DOCUMENTS

D. 246,043	10/1977	Taylor	D14/53
D. 246,103	10/1977	Taylor	D14/53
D. 248,758	8/1978	Krolopp	D14/53
D. 260,518	9/1981	Larson	D14/53
D. 271,491	11/1983	Taylor	D14/76
D. 286,778	11/1986	Beaumont	D14/64
D. 292,578	11/1987	Taylor	D14/62
D. 292,920	11/1987	Taylor	D14/62
D. 295,973	5/1988	Nagele	D14/66
D. 295,975	5/1988	Taylor et al.	D14/64
D. 299,136	12/1988	Taylor	D14/63
D. 315,565	3/1991	Taylor	D14/138 X



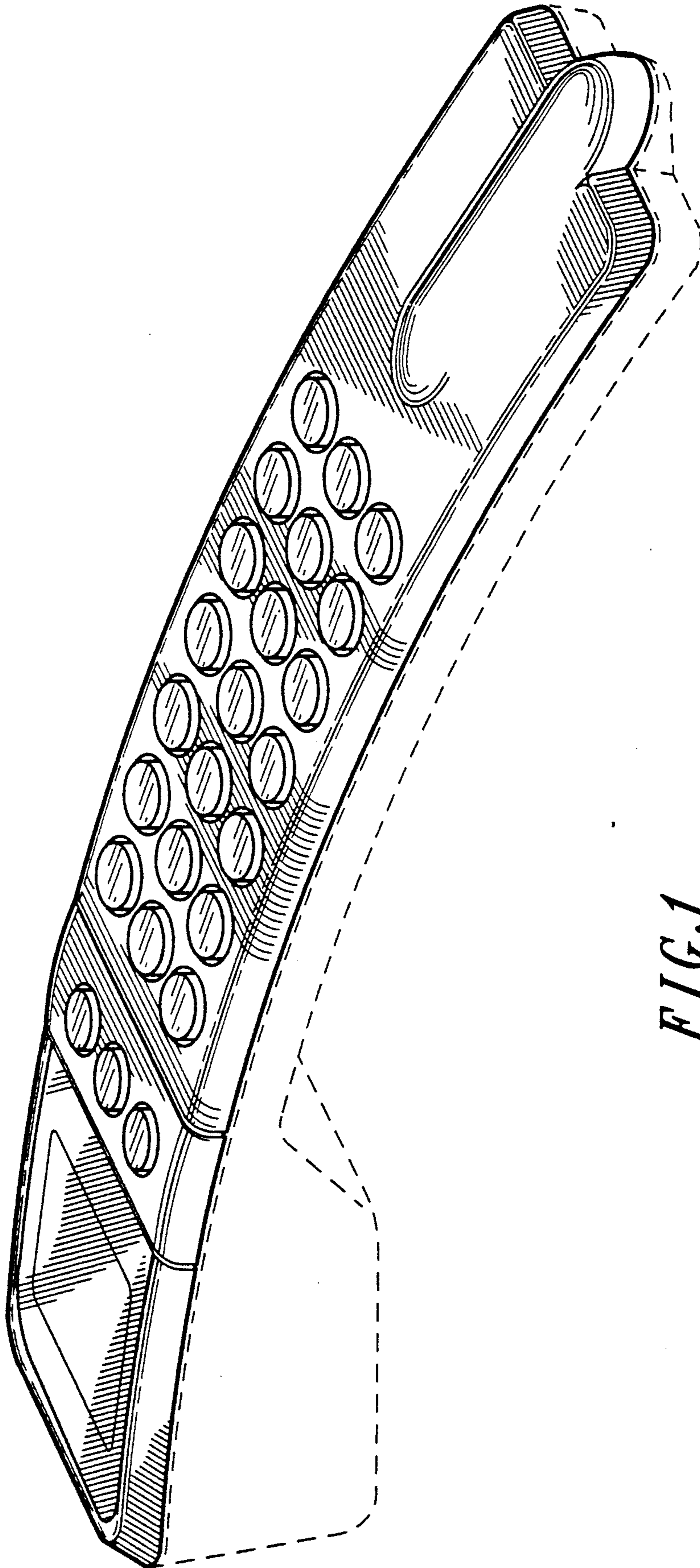


FIG. 1

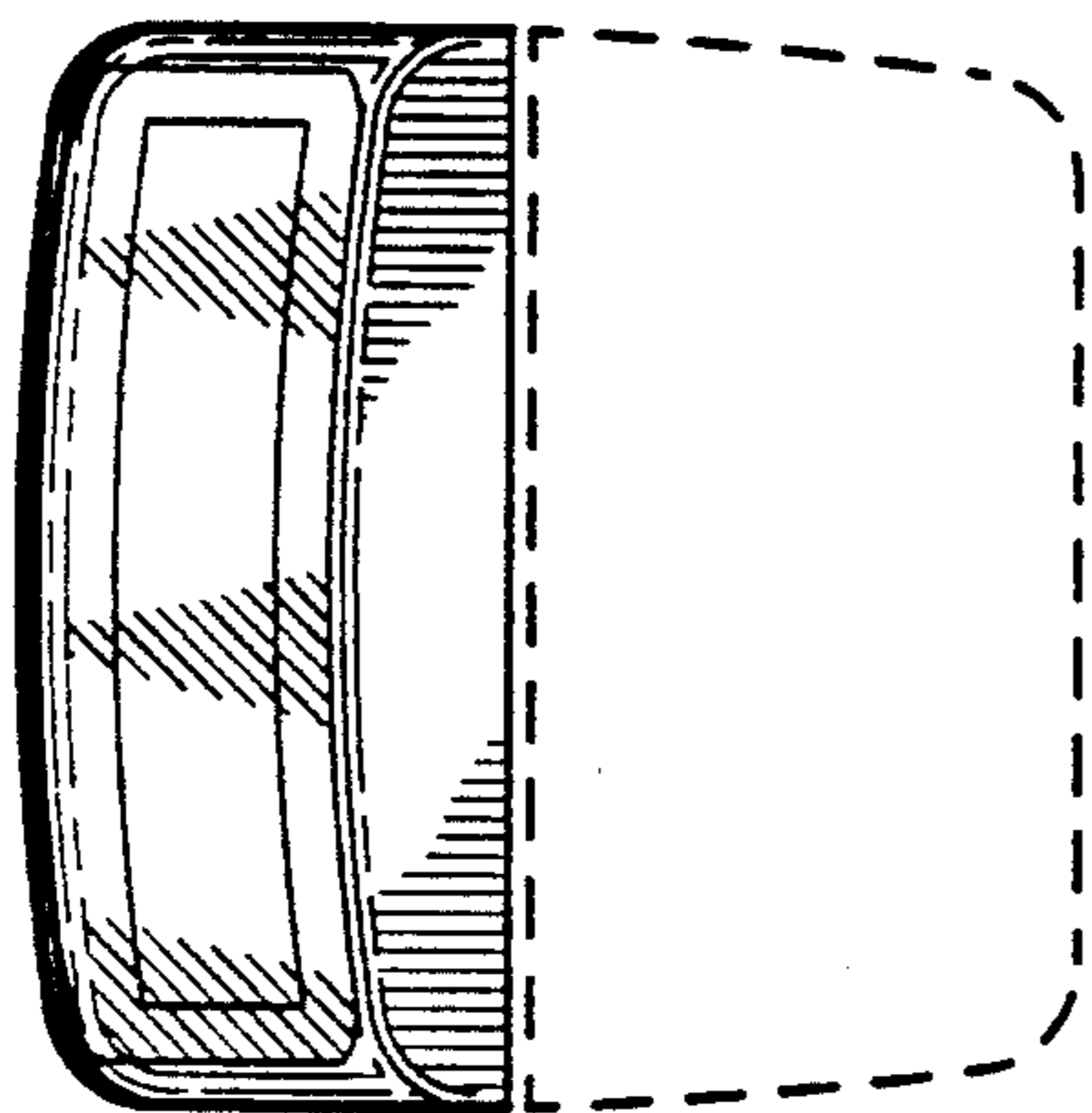


FIG. 3

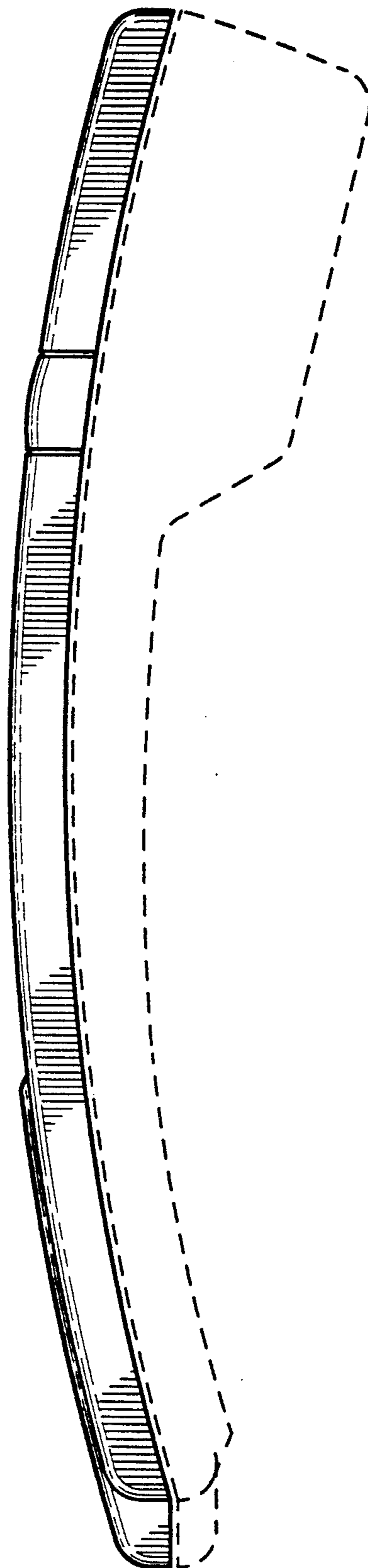


FIG. 2