



US00D342727S

United States Patent [19]

Yoshimoto et al.

[11] Patent Number: **Des. 342,727**

[45] Date of Patent: **** Dec. 28, 1993**

[54] VIDEO DISPLAY

[75] Inventors: **Max Yoshimoto; Jeff Smith**, both of San Mateo, Calif.

[73] Assignee: **Wyse Technology, Inc.**, San Jose, Calif.

[**] Term: **14 Years**

[21] Appl. No.: **752,256**

[22] Filed: **Aug. 28, 1991**

[52] U.S. Cl. **D14/113**

[58] Field of Search **D14/100, 101, 106, 113, D14/124-127; 340/700, 706; 358/249, 254, 255; 248/917-924**

[56] **References Cited**

U.S. PATENT DOCUMENTS

- D. 304,179 10/1989 Beaton et al. D14/113
- D. 305,755 1/1990 Suyama et al. D14/113

- D. 310,067 8/1990 Koprowski et al. D14/106
- D. 310,829 9/1990 Suyama et al. D14/113
- D. 326,647 6/1992 Riley et al. D14/100 X

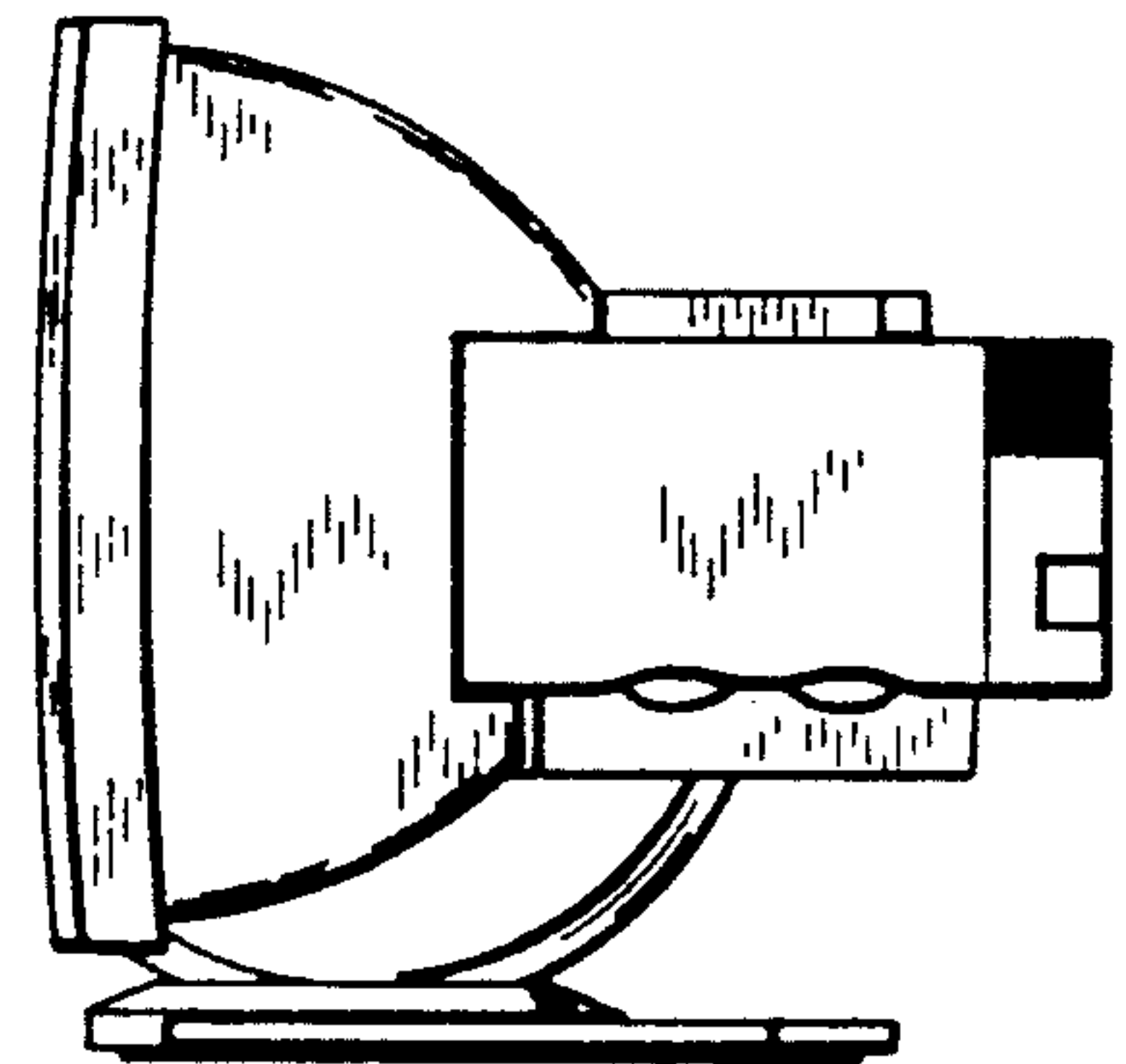
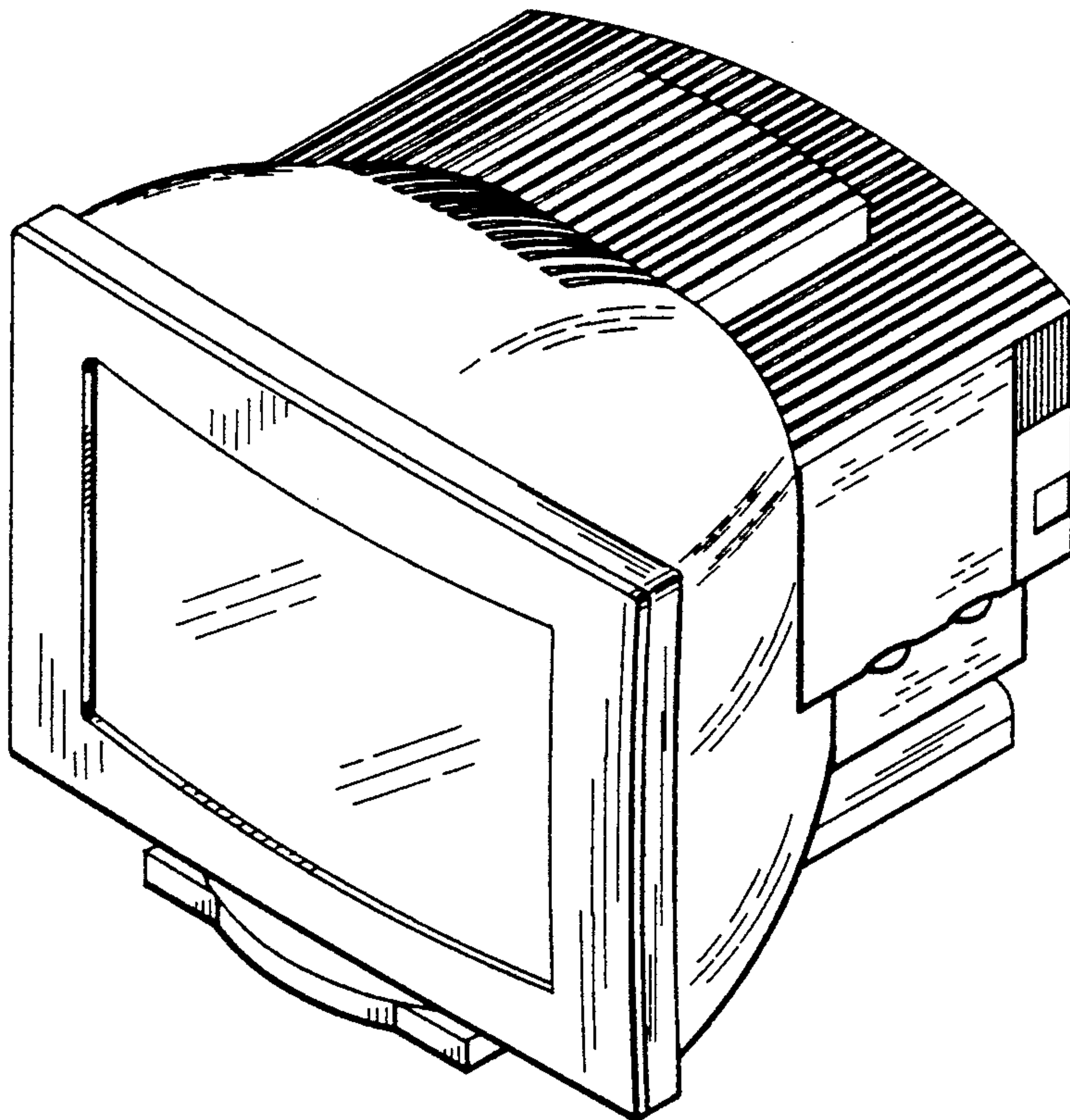
Primary Examiner—Susan J. Lucas
Assistant Examiner—Freda S. Nunn
Attorney, Agent, or Firm—James E. Eakin; Janet Kaiser Castaneda

[57] **CLAIM**

The ornamental design for a video display, as shown and described.

DESCRIPTION

FIG. 1 is a top left perspective view of our new video display;
 FIG. 2 is a top plan view thereof;
 FIG. 3 is a bottom plan view thereof;
 FIG. 4 is a front elevational view thereof;
 FIG. 5 is a left side elevational view thereof;
 FIG. 6 is a rear elevational view thereof; and,
 FIG. 7 is a right side elevational view thereof.



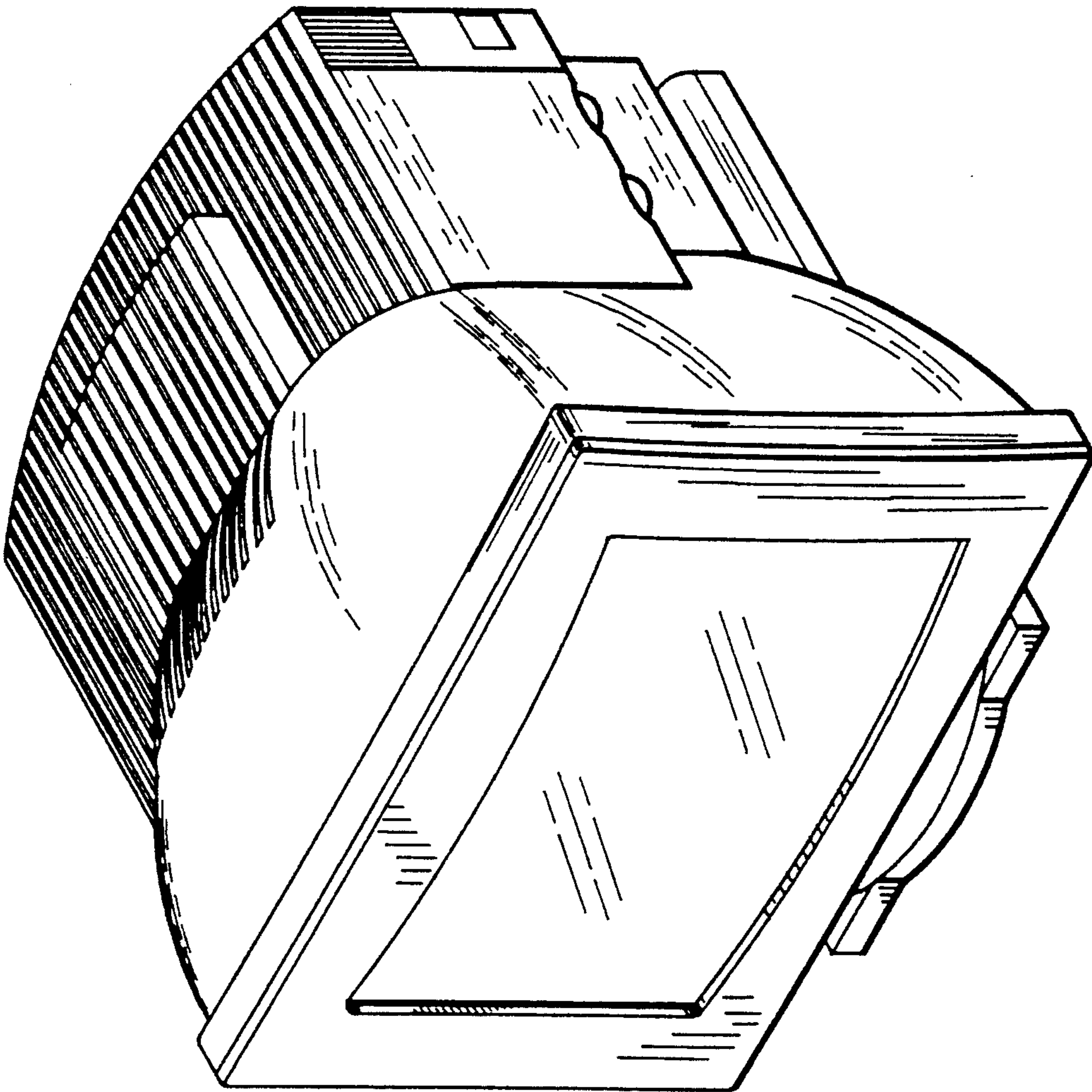


FIG. 1

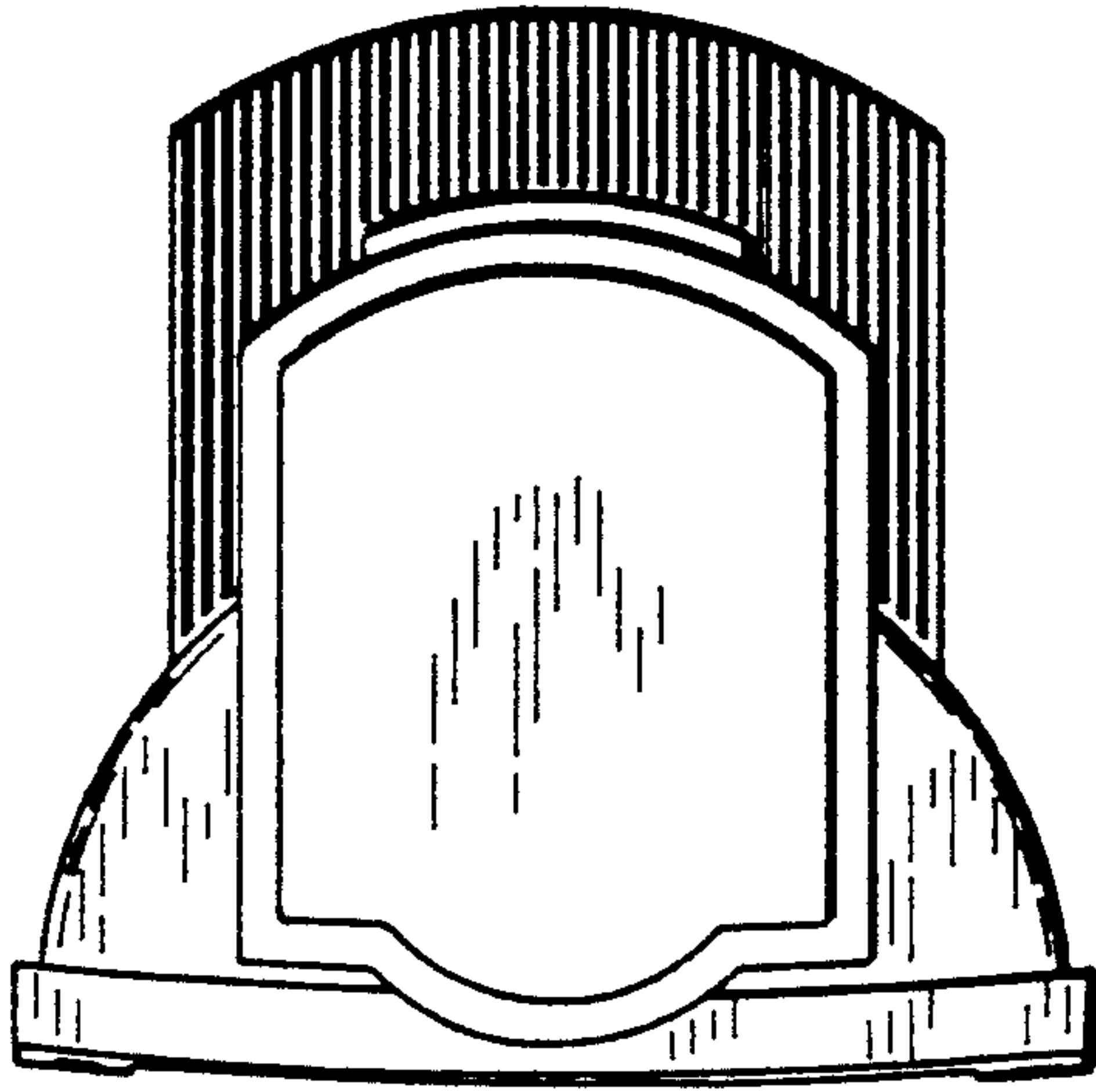


Fig. 3

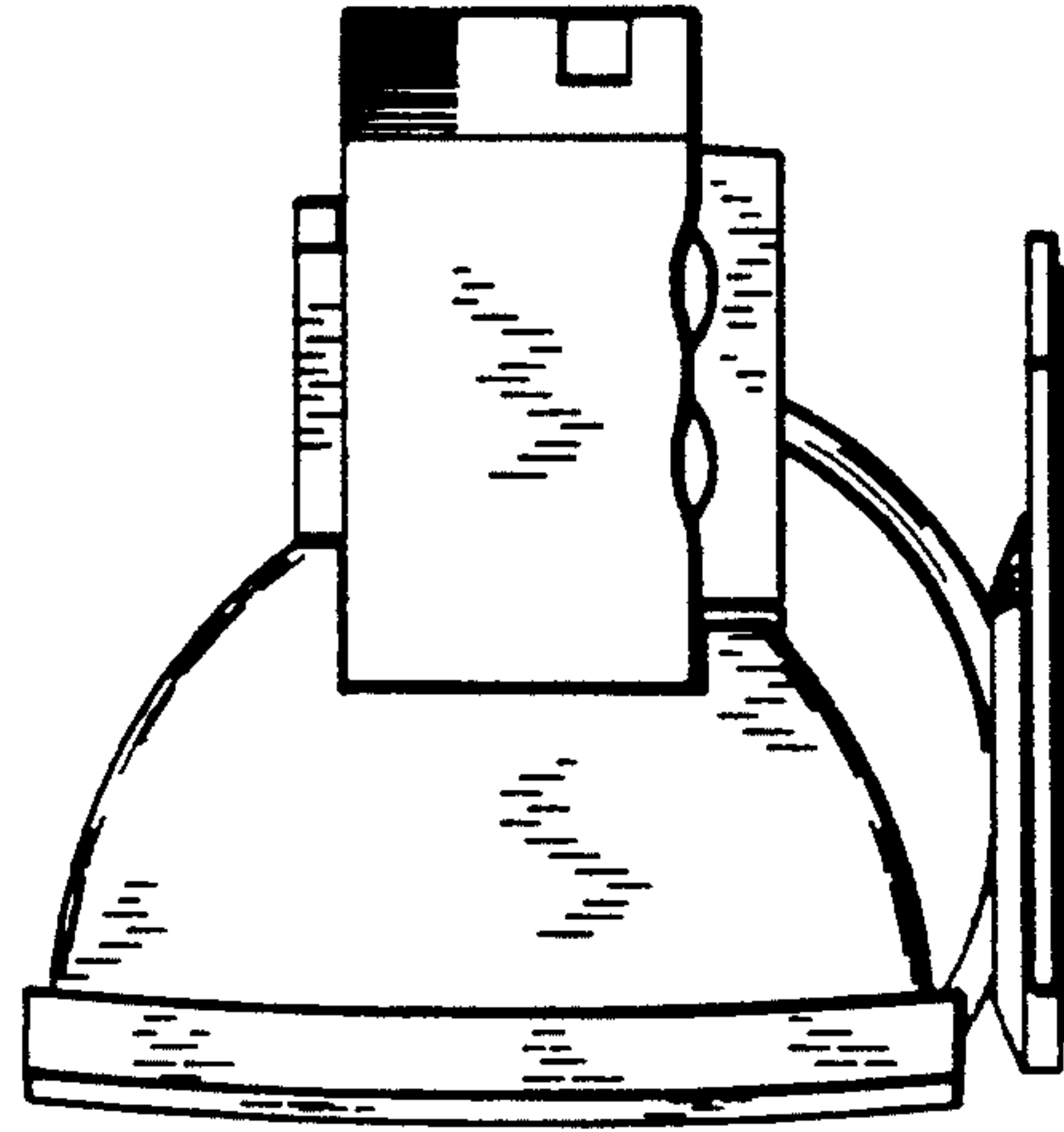


Fig. 5

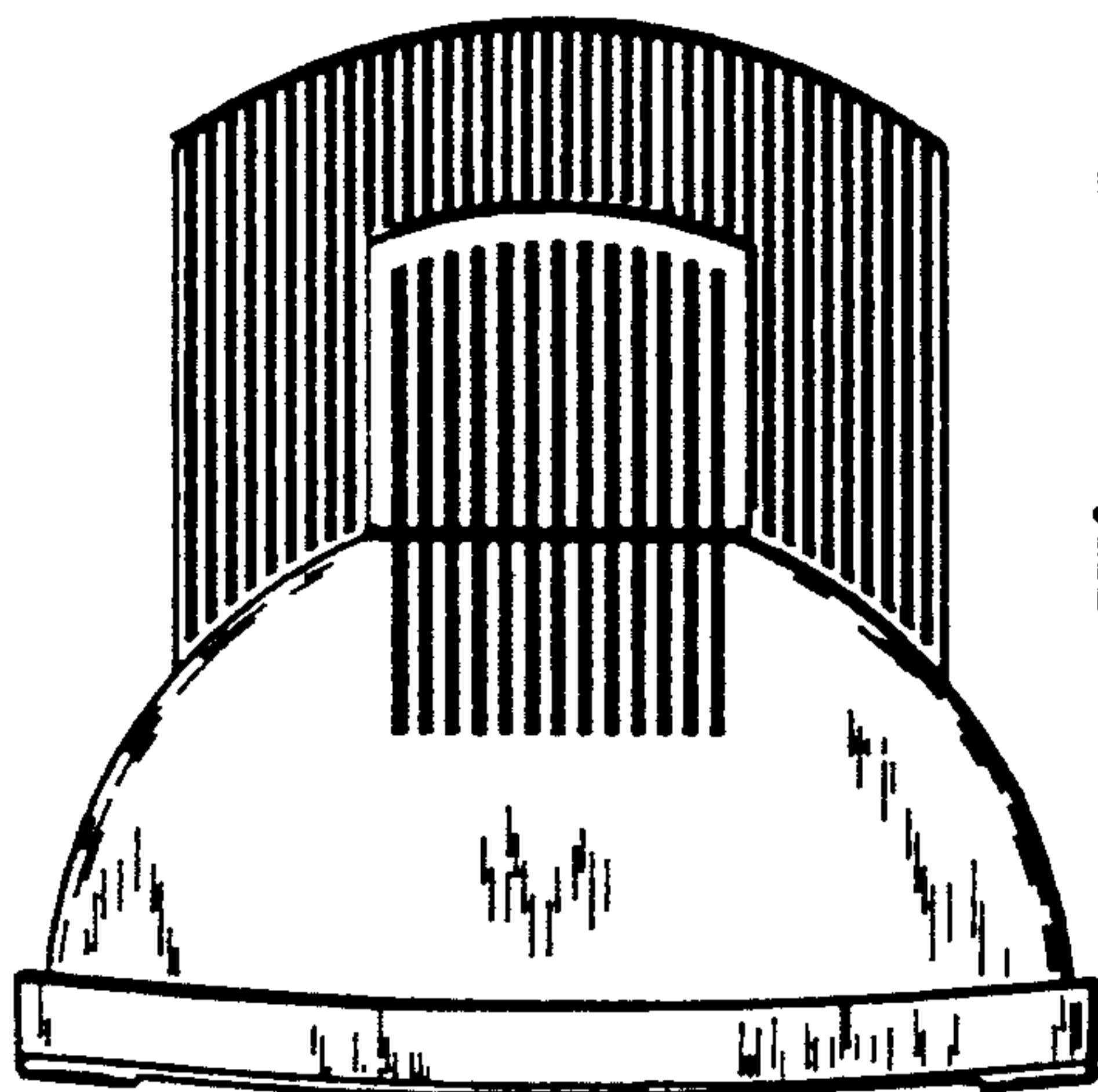


Fig. 2

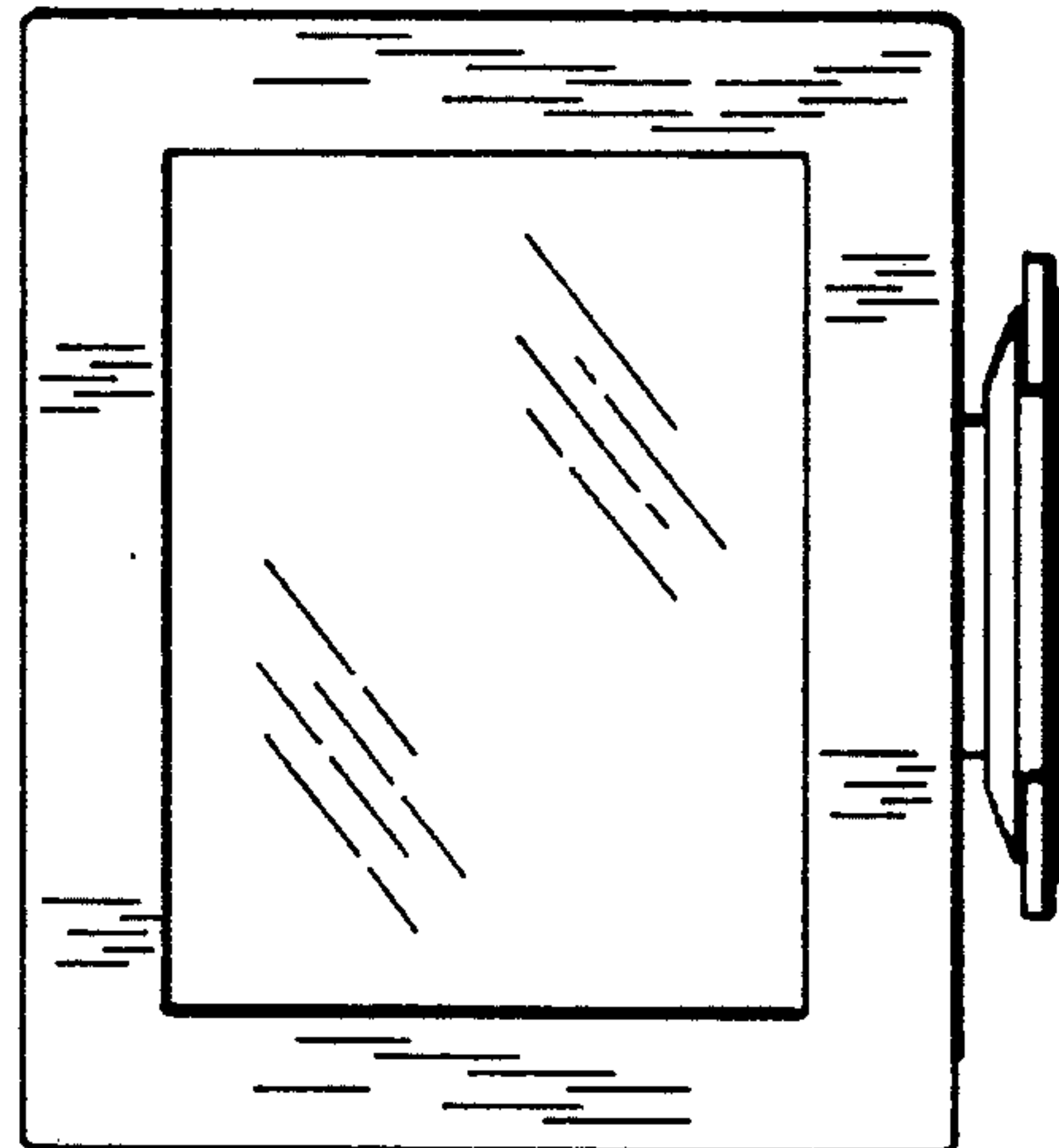


Fig. 4

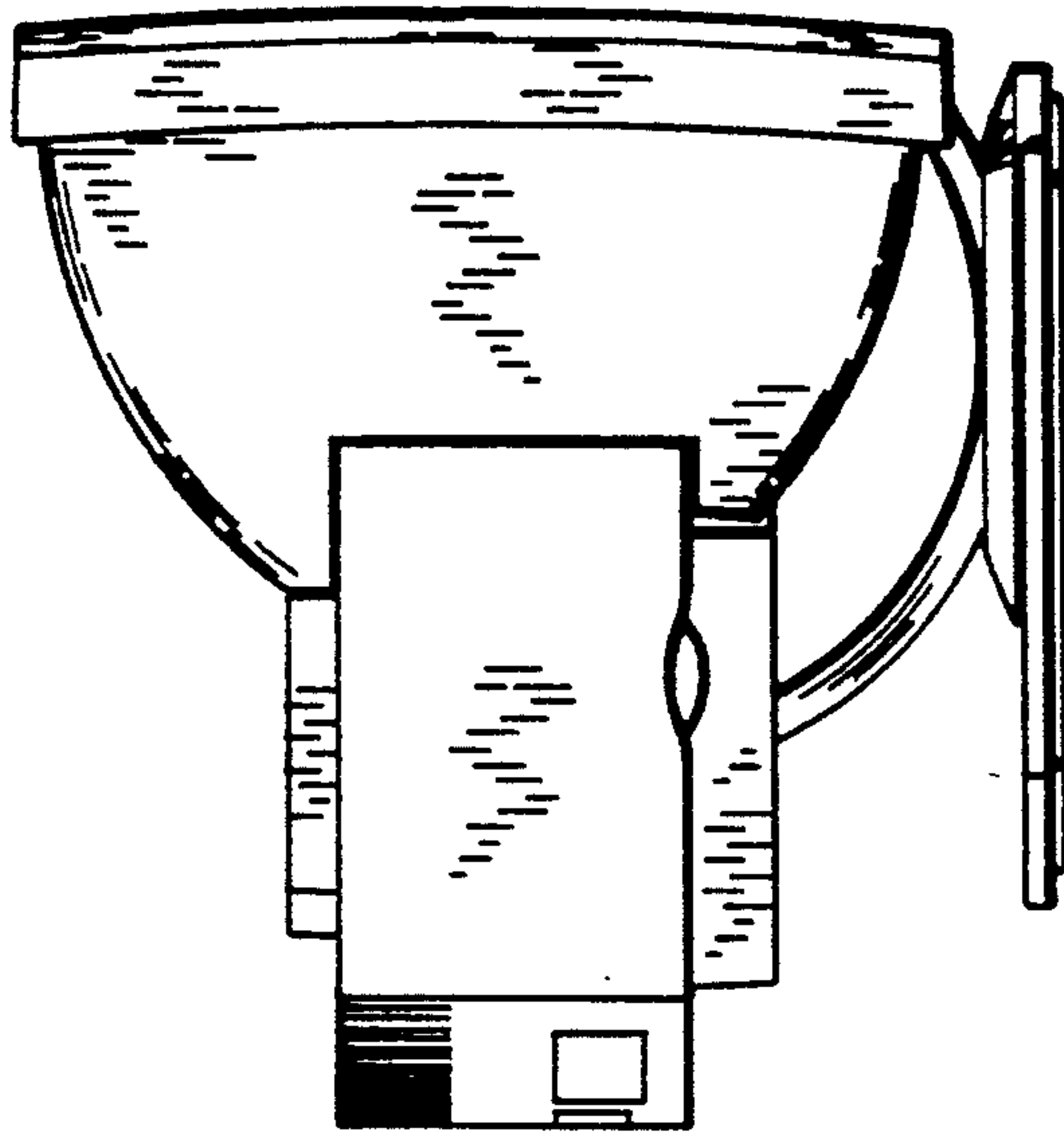


Fig. 7

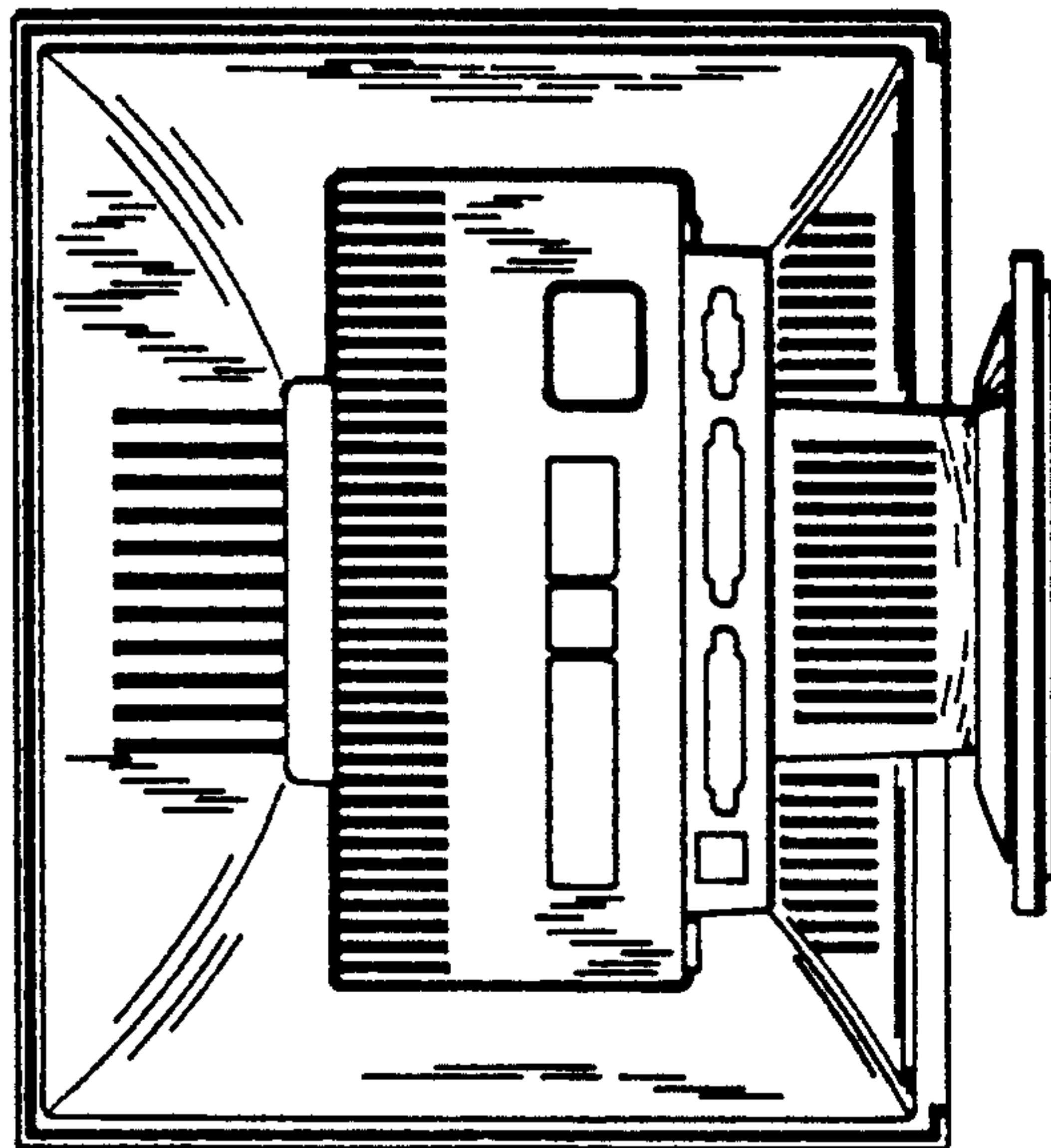


Fig. 6