



US00D342718S

United States Patent [19]

[11] Patent Number: **Des. 342,718**

Mackay

[45] Date of Patent: **** Dec. 28, 1993**

[54] **CHARGING BASE**

D. 302,808 8/1989 Skuza et al. D13/107
D. 303,876 10/1989 Clemens et al. D4/101

[75] Inventor: **Spencer L. Mackay**, Agoura Hills, Calif.

OTHER PUBLICATIONS

Skil rechargers Nos. 72066 and 72065.

[73] Assignee: **Bausch & Lomb Incorporated**, Rochester, N.Y.

Primary Examiner—Wallace R. Burke
Assistant Examiner—J. Sincavage
Attorney, Agent, or Firm—Salvatore P. Pace

[**] Term: **14 Years**

[57] **CLAIM**

[21] Appl. No.: **1,576**

The ornamental design for a charging base, as shown and described.

[22] Filed: **Nov. 17, 1992**

[52] U.S. Cl. **D13/108; D4/199**

[58] Field of Search **D13/107, 108, 144; D14/114, 217, 218, 240; 320/2, 3, 4, 15; D4/100, 101, 108, 199**

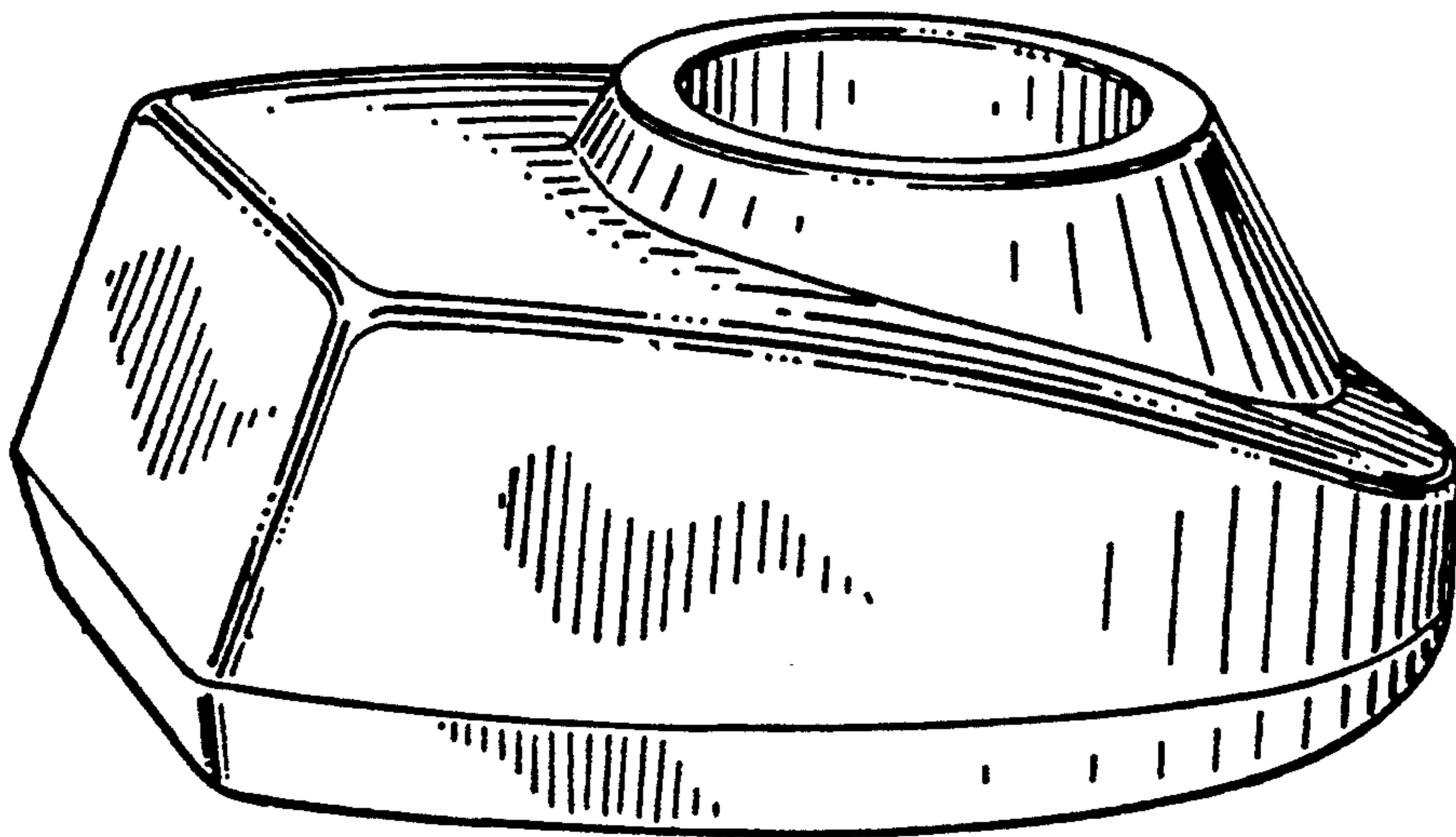
DESCRIPTION

[56] **References Cited**

FIG. 1 is a top plan view of the charging base showing my new design;
FIG. 2 is a left side view thereof;
FIG. 3 is a front view thereof;
FIG. 4 is a rear view thereof;
FIG. 5 is a right rear perspective view thereof;
FIG. 6 is a front perspective view thereof;
FIG. 7 is a top perspective view thereof; and,
FIG. 8 is a left rear perspective view thereof.

U.S. PATENT DOCUMENTS

D. 211,185	5/1968	Cox	D13/108
D. 216,295	12/1969	De Varco	D13/108
D. 216,547	2/1970	Mango et al.	D13/108
D. 218,170	8/1970	Soper	D13/108
D. 230,381	2/1974	Yran	D13/108



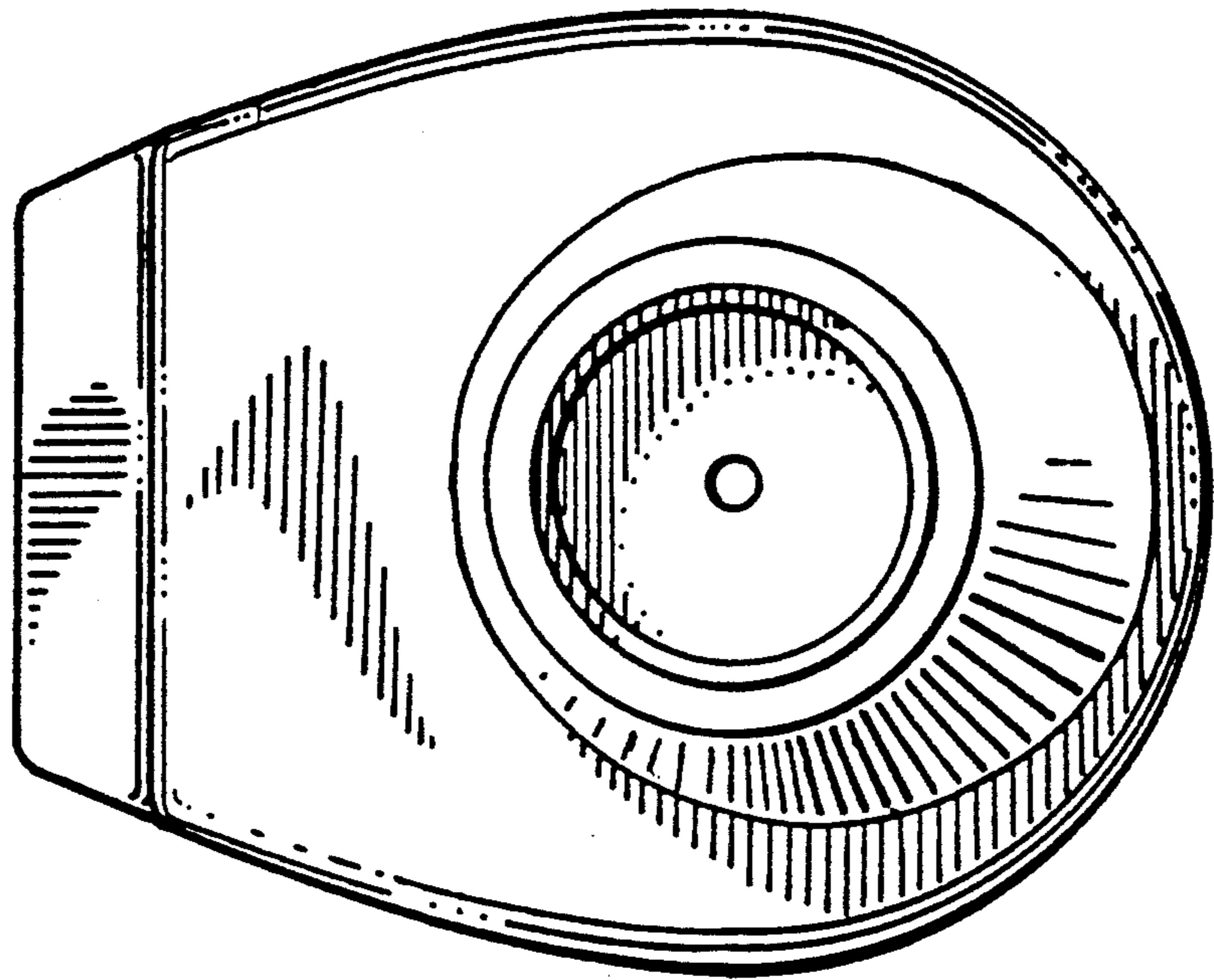


FIG. 1

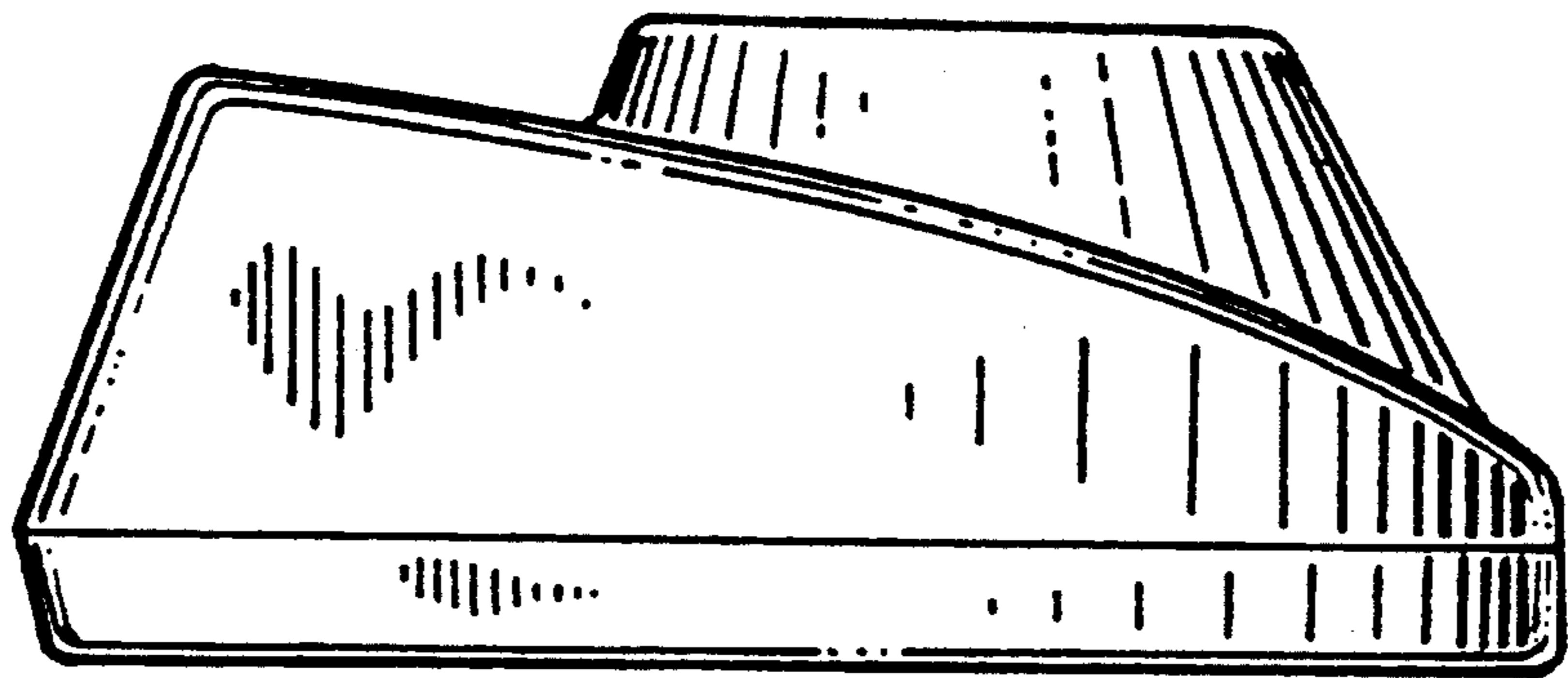


FIG. 2

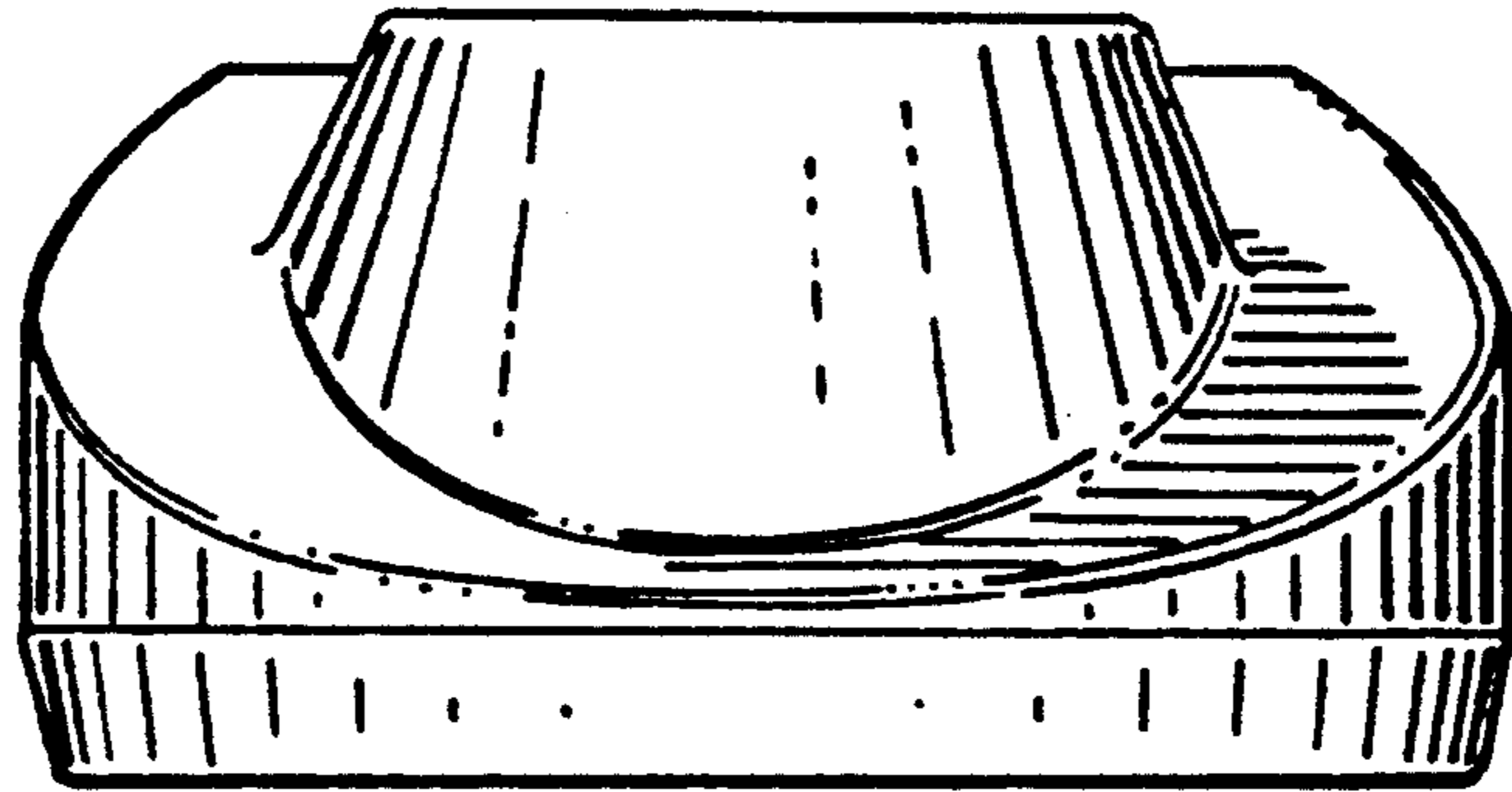


FIG. 3

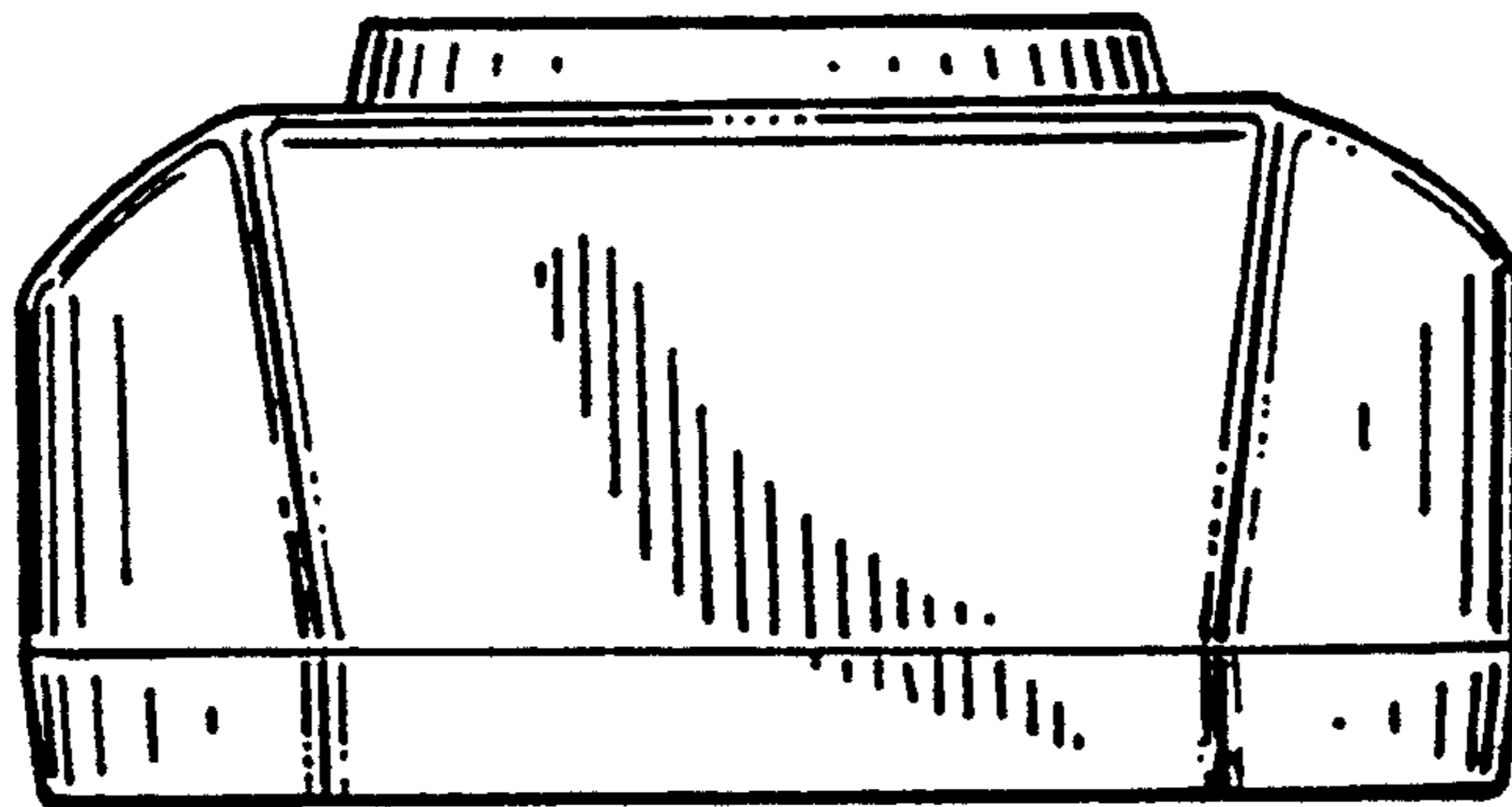


FIG. 4

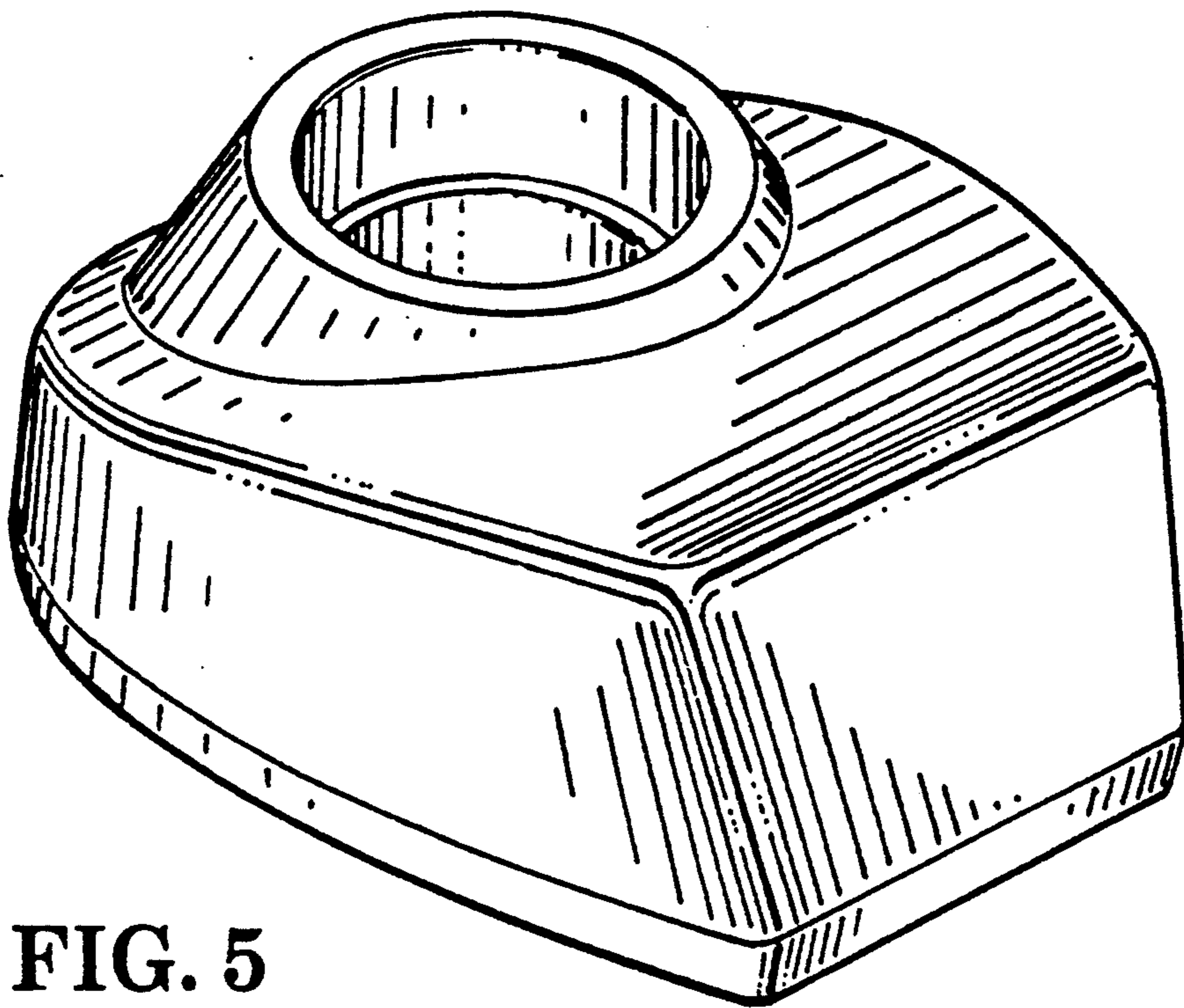


FIG. 5

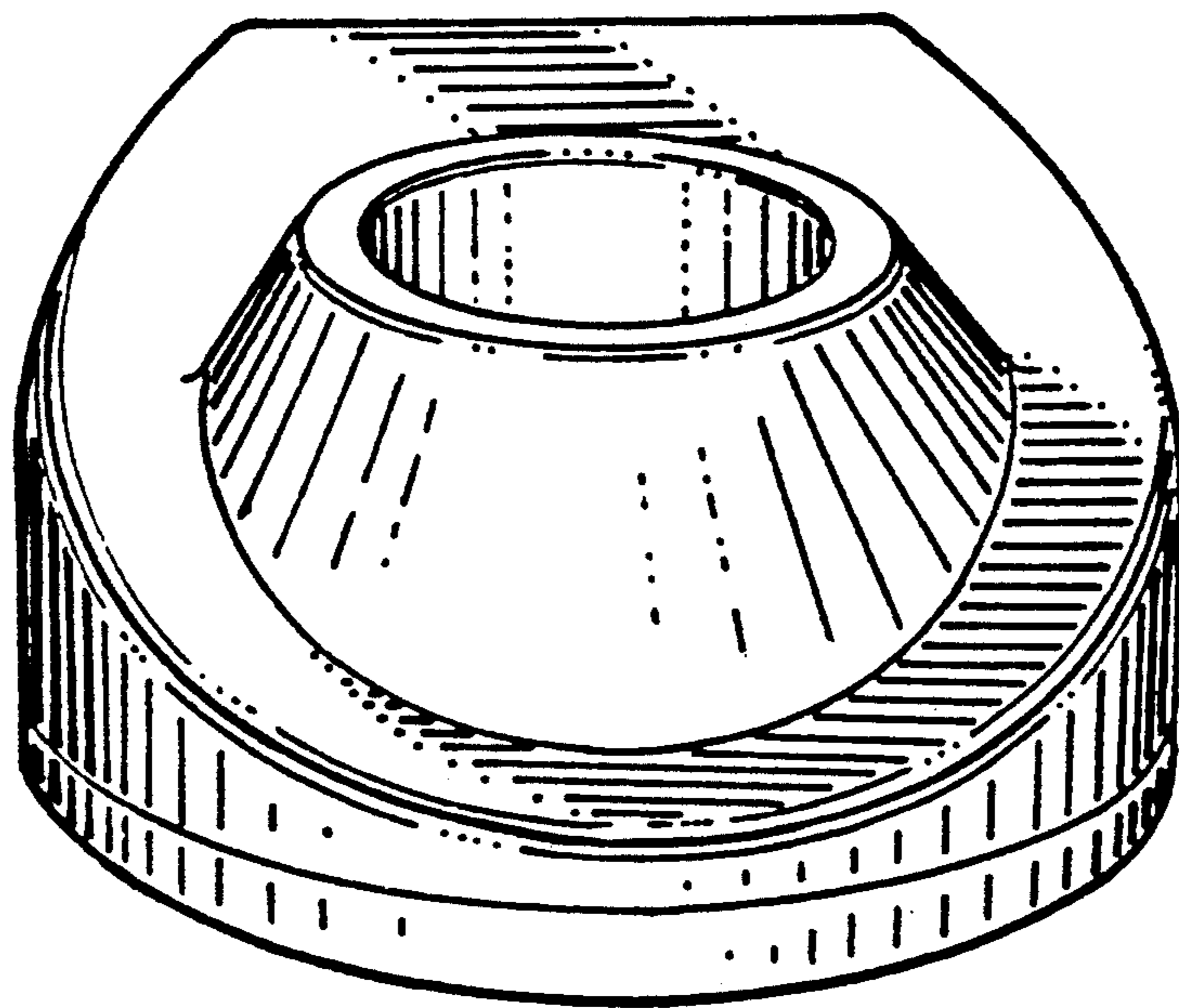


FIG. 6

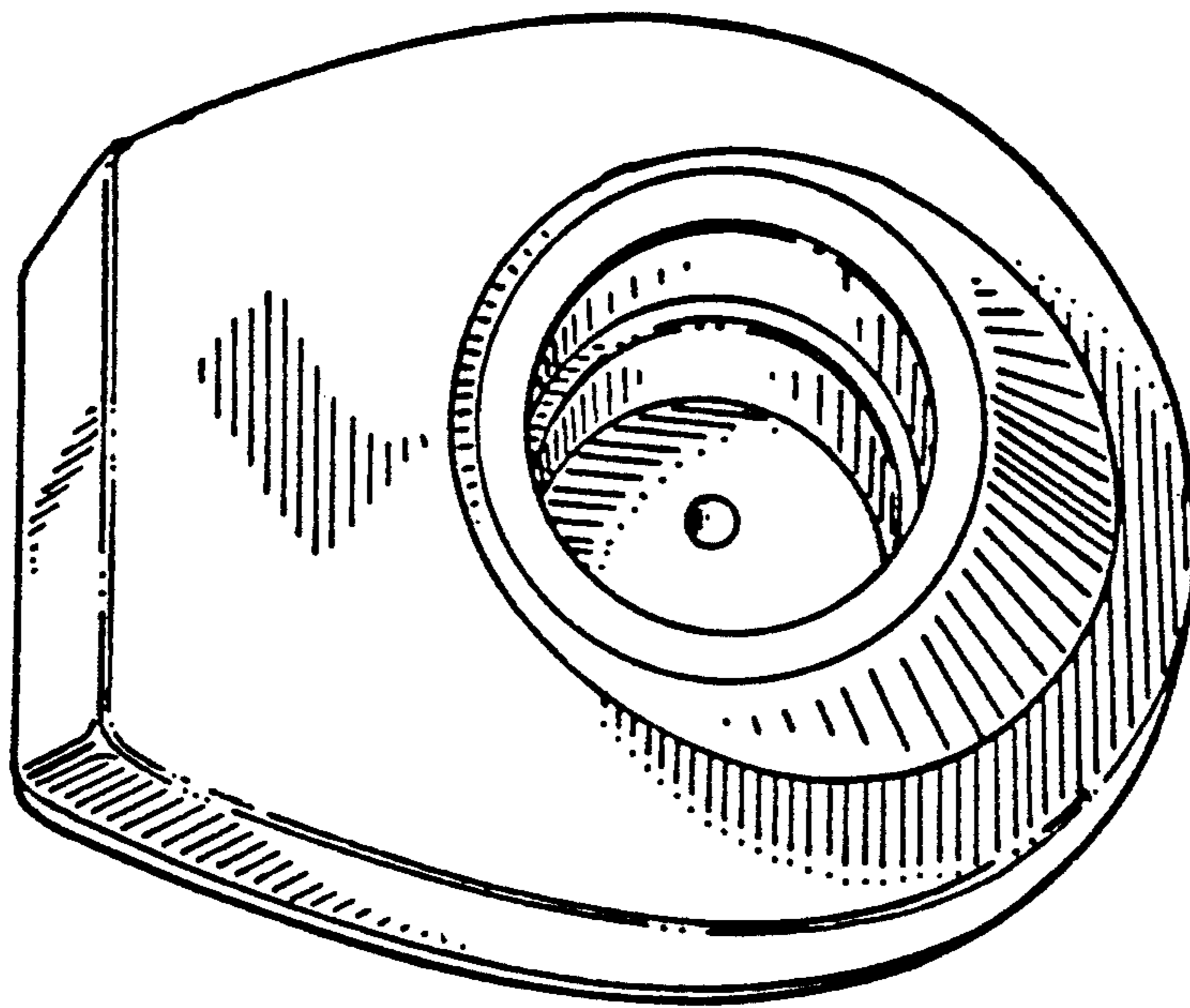


FIG. 7

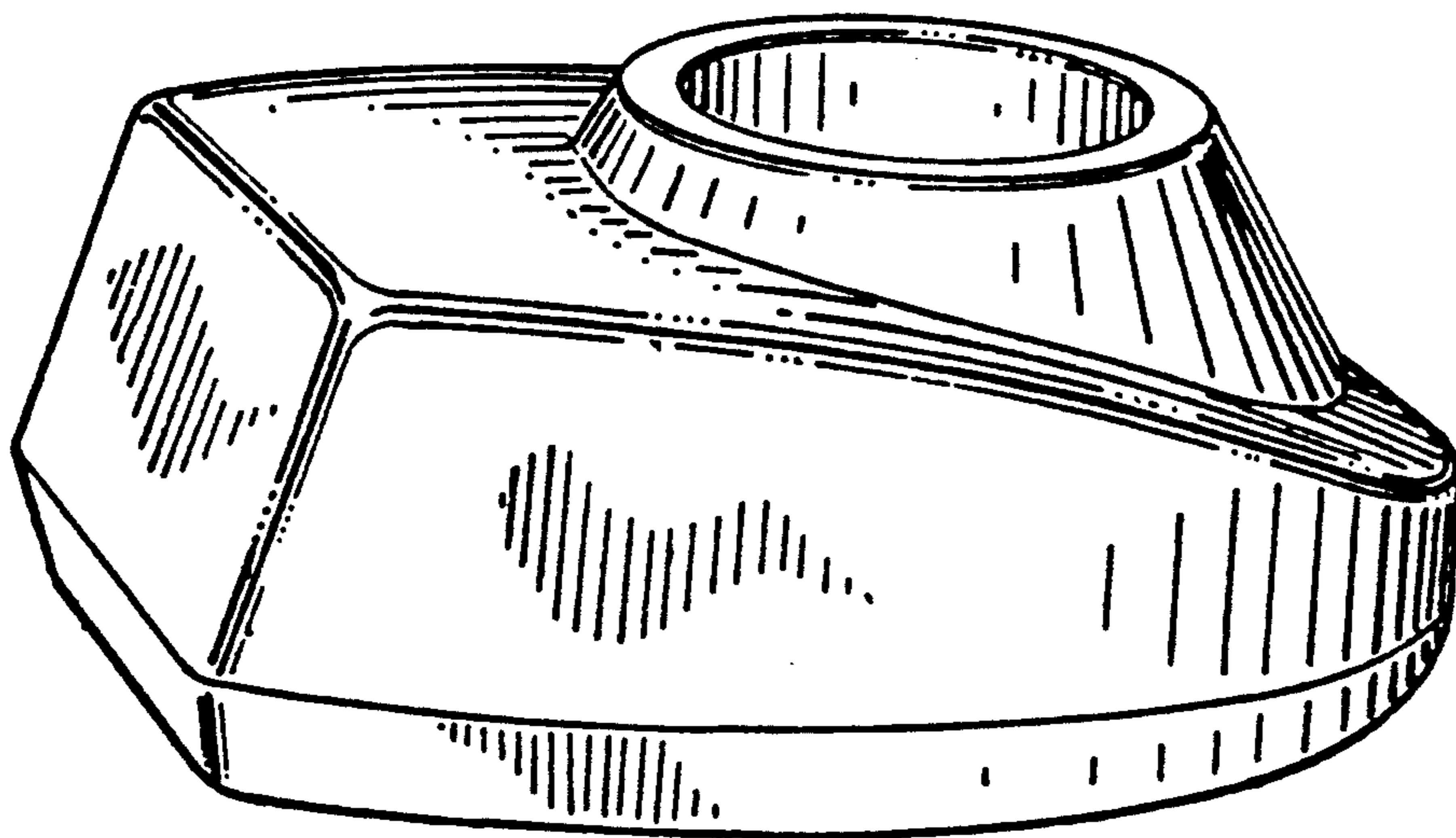


FIG. 8