



US00D342708S

United States Patent [19]

[11] Patent Number: **Des. 342,708**

Stoeck

[45] Date of Patent: **** Dec. 28, 1993**

[54] **VEHICLE DOOR PROTECTOR**

[76] Inventor: **Alan J. Stoeck**, 9423 S. 78th Ave., Hickory Hills, Ill. 60457

[**] Term: **14 Years**

[21] Appl. No.: **821,609**

[22] Filed: **Jan. 16, 1992**

[52] U.S. Cl. **D12/167**

[58] Field of Search **D12/167, 190; 293/126, 293/128; 280/770; D6/601; 5/420**

4,480,715 11/1984 Brooks 5/420
4,530,519 7/1985 Marshall 280/770
5,120,695 7/1992 Norman, II 280/770

Primary Examiner—James M. Gandy
Attorney, Agent, or Firm—Terry M. Gernstein

[57] **CLAIM**

The ornamental design for a vehicle door protector, as shown and described.

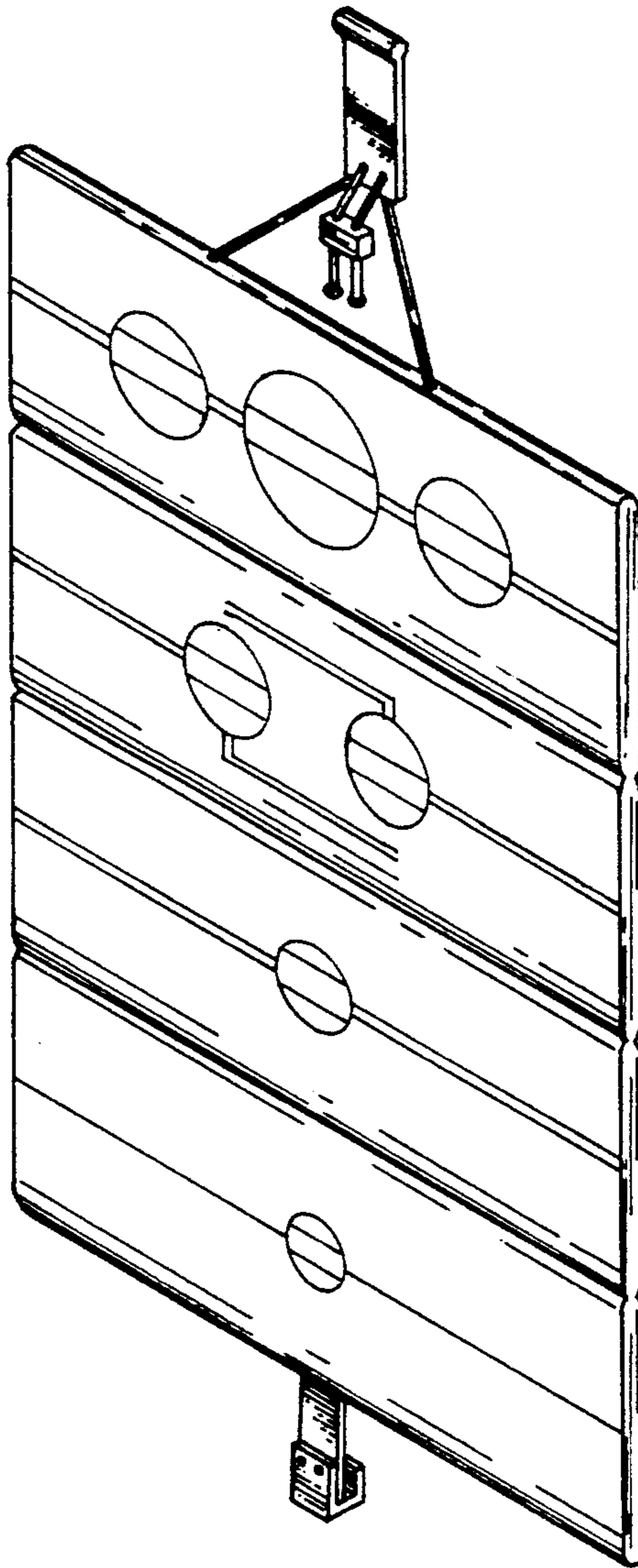
DESCRIPTION

FIG. 1 is a perspective view of the vehicle door protector embodying the design of the present invention; FIG. 2 is a front elevational view thereof; FIG. 3 is a rear elevational view thereof; FIG. 4 is a side elevational view thereof, the side opposite being a mirror image of the side shown in FIG. 4; FIG. 5 is a top plan view thereof; and, FIG. 6 is a bottom view thereof.

[56] **References Cited**

U.S. PATENT DOCUMENTS

D. 286,239	10/1986	Scheurer et al.	D6/601
D. 328,884	8/1992	Schaller	D12/167
3,540,773	11/1970	Settle	296/152
3,610,684	10/1971	Richter	296/152
4,014,583	3/1977	Forbes	293/128



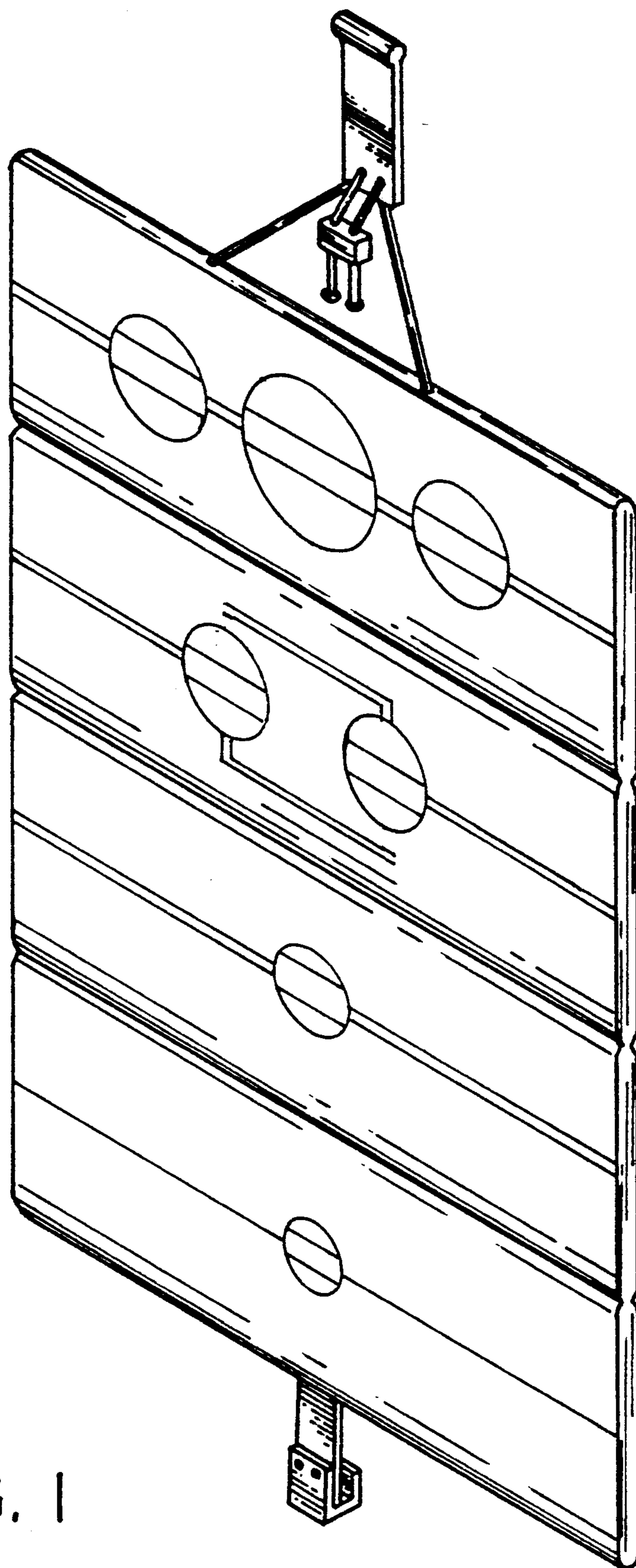


FIG. 1

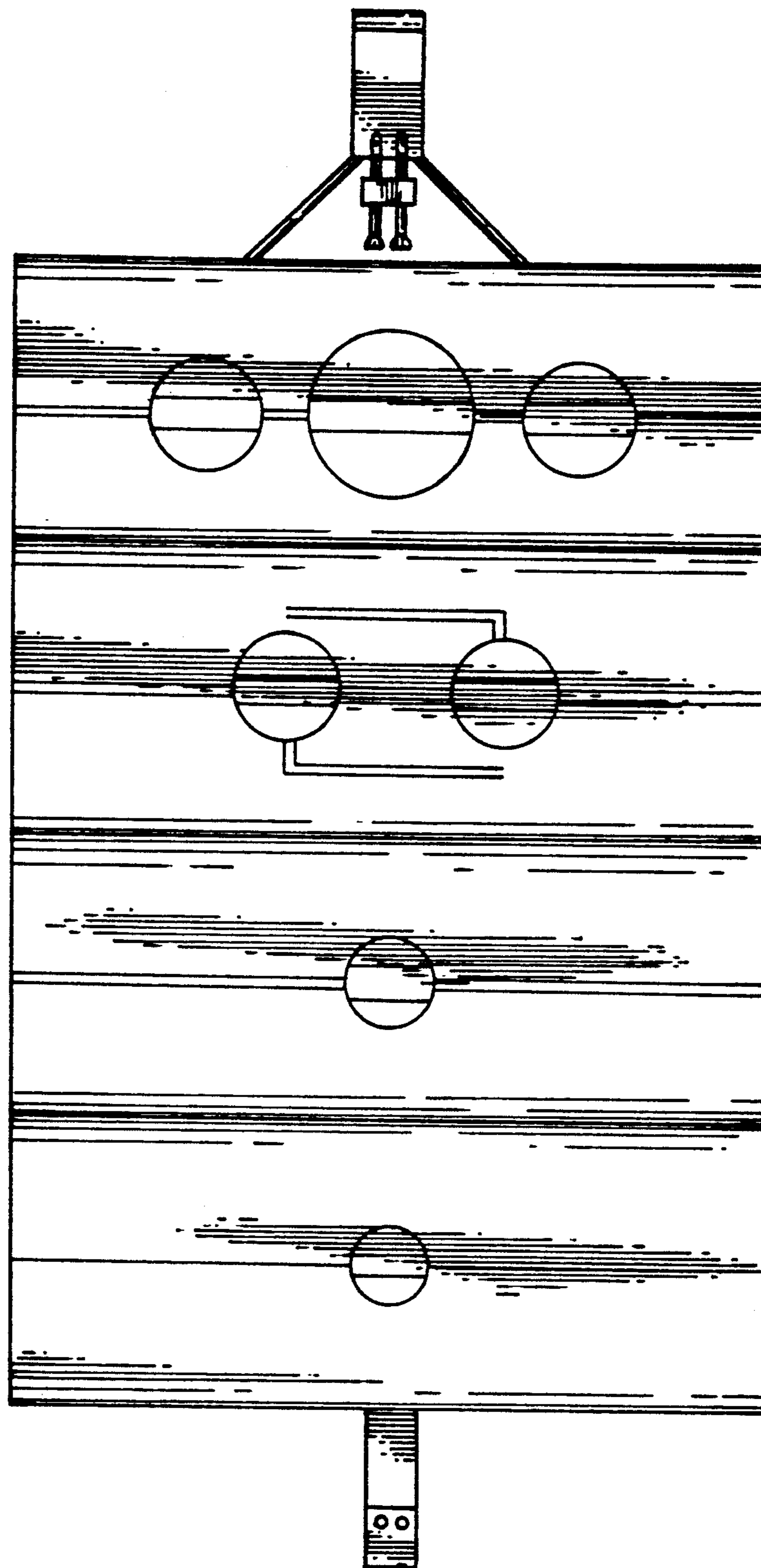


FIG. 2

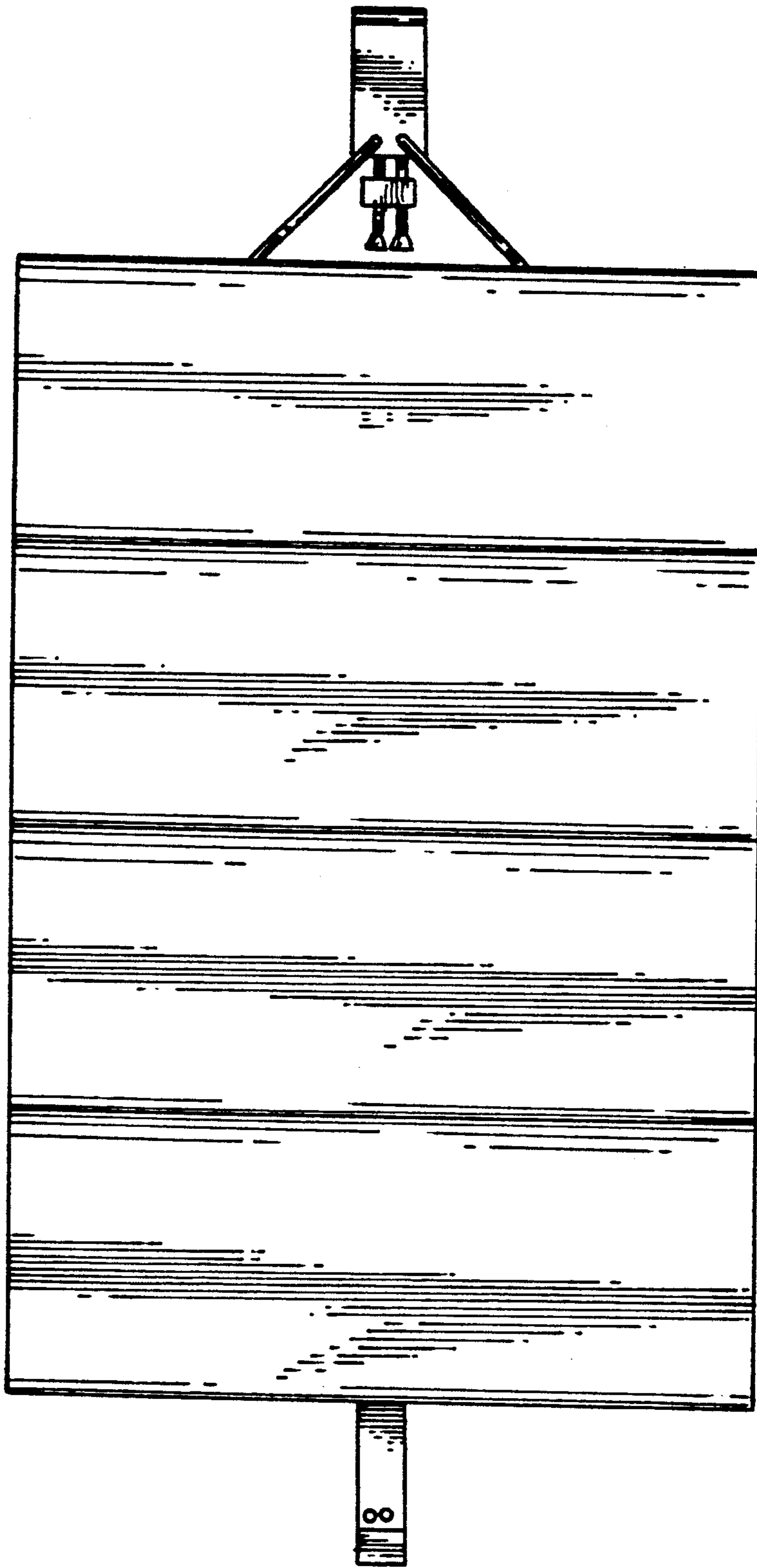


FIG. 3

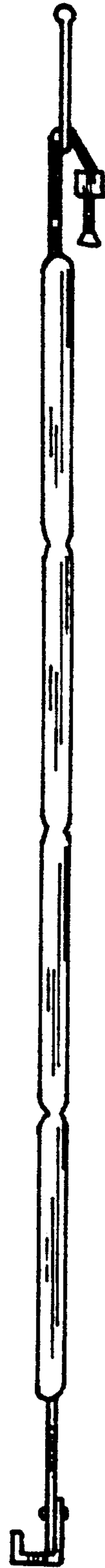


FIG. 4

FIG. 5



FIG. 6

