



US00D342706S

# United States Patent [19]

[11] Patent Number: **Des. 342,706**

Wise

[45] Date of Patent: **\*\* Dec. 28, 1993**

[54] **TIRE**

[75] Inventor: **Thomas E. Wise, Greer, S.C.**

[73] Assignee: **Uniroyal Goodrich Tire Company, Akron, Ohio**

[\*\*] Term: **14 Years**

[21] Appl. No.: **738,932**

[22] Filed: **Jul. 30, 1991**

[52] U.S. Cl. .... **D12/147**

[58] Field of Search ..... **D12/136, 137, 146-151; 152/209 R, 209 B, 209 D**

[56] **References Cited**

**U.S. PATENT DOCUMENTS**

- D. 288,078 2/1987 Hasegawa ..... D12/142
- D. 288,190 2/1987 Hayakawa ..... D12/147
- D. 312,603 12/1990 Yarborough ..... D12/146

**OTHER PUBLICATIONS**

1990 Tread Design Guide, P101, Centennial Mud Campaigner Tire, third row down from top, center of page.  
 1990 Tread Design Guide, P102, Cooper Discoverer Radial STT Tire, second tire in from bottom left side of page.

*Primary Examiner*—James M. Gandy  
*Attorney, Agent, or Firm*—Alan A. Csontos; Greg Strugalski; Robert R. Reed

[57] **CLAIM**

The ornamental design for a tire, as shown and described.

**DESCRIPTION**

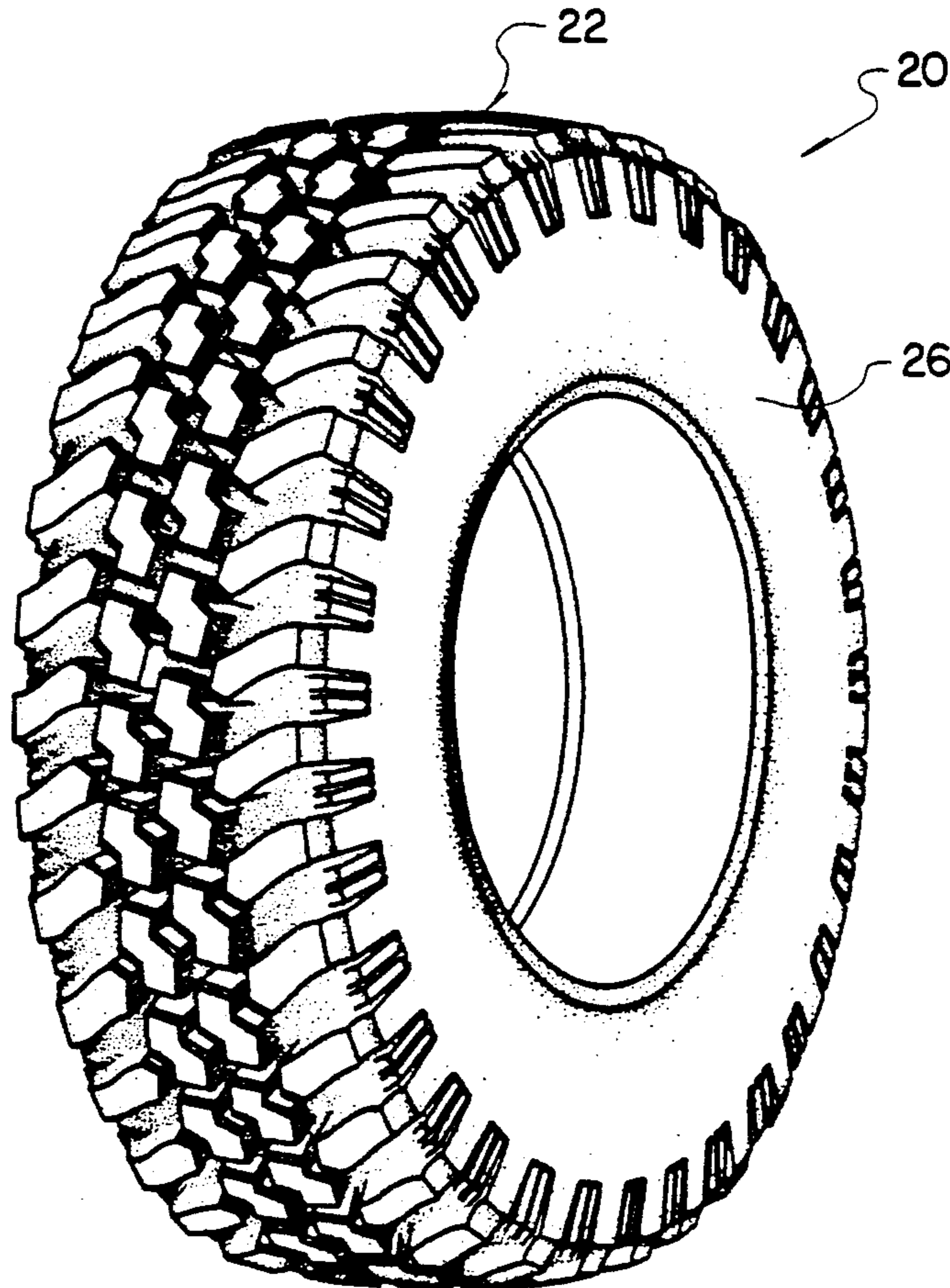
FIG. 1 is a perspective view of a tire showing my new design. It is understood that the tread pattern in the embodiment continues as shown in FIG. 1 throughout the entire circumference of the tire and the tread shoulder. The side of the tire opposite the portion of the tire shown is substantially the same as that shown.

FIG. 2 is a side elevational view of the tire in FIG. 1. FIG. 3 is a front elevational view of the tire in FIG. 1. FIG. 4 is a cross-sectional view of the tire in FIG. 2, taken approximately along line 4—4 in FIG. 2.

FIG. 5 is an enlarged fragmentary plan view of a portion of the tread of the tire in FIG. 1.

FIG. 6 is a greatly enlarged fragmentary perspective view of a portion of the tire in FIG. 1, and,

FIG. 7 is a cross-sectional view of a portion of the tire in FIG. 6, taken approximately along line 7—7 in FIG. 6.



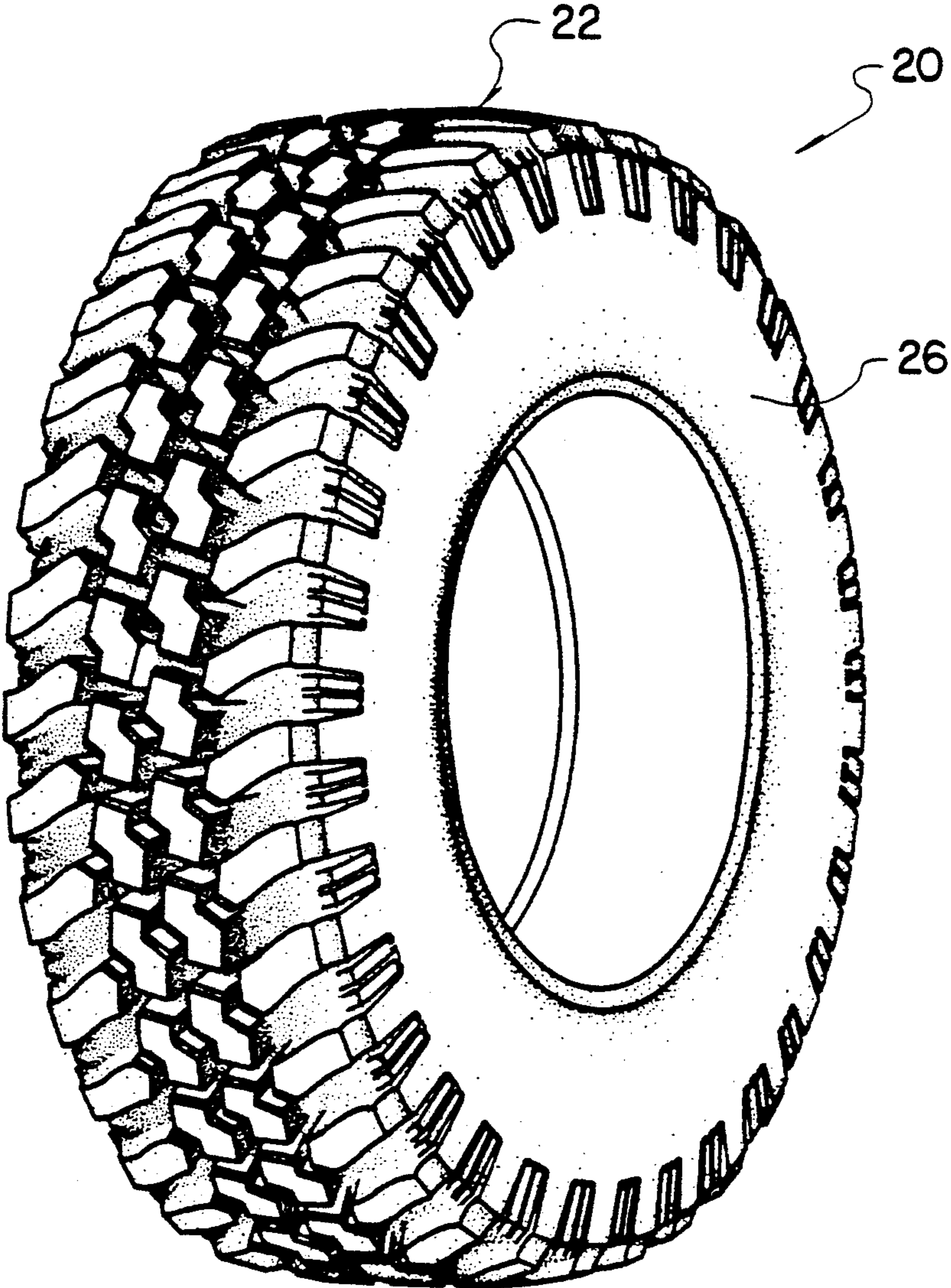


FIG. 1

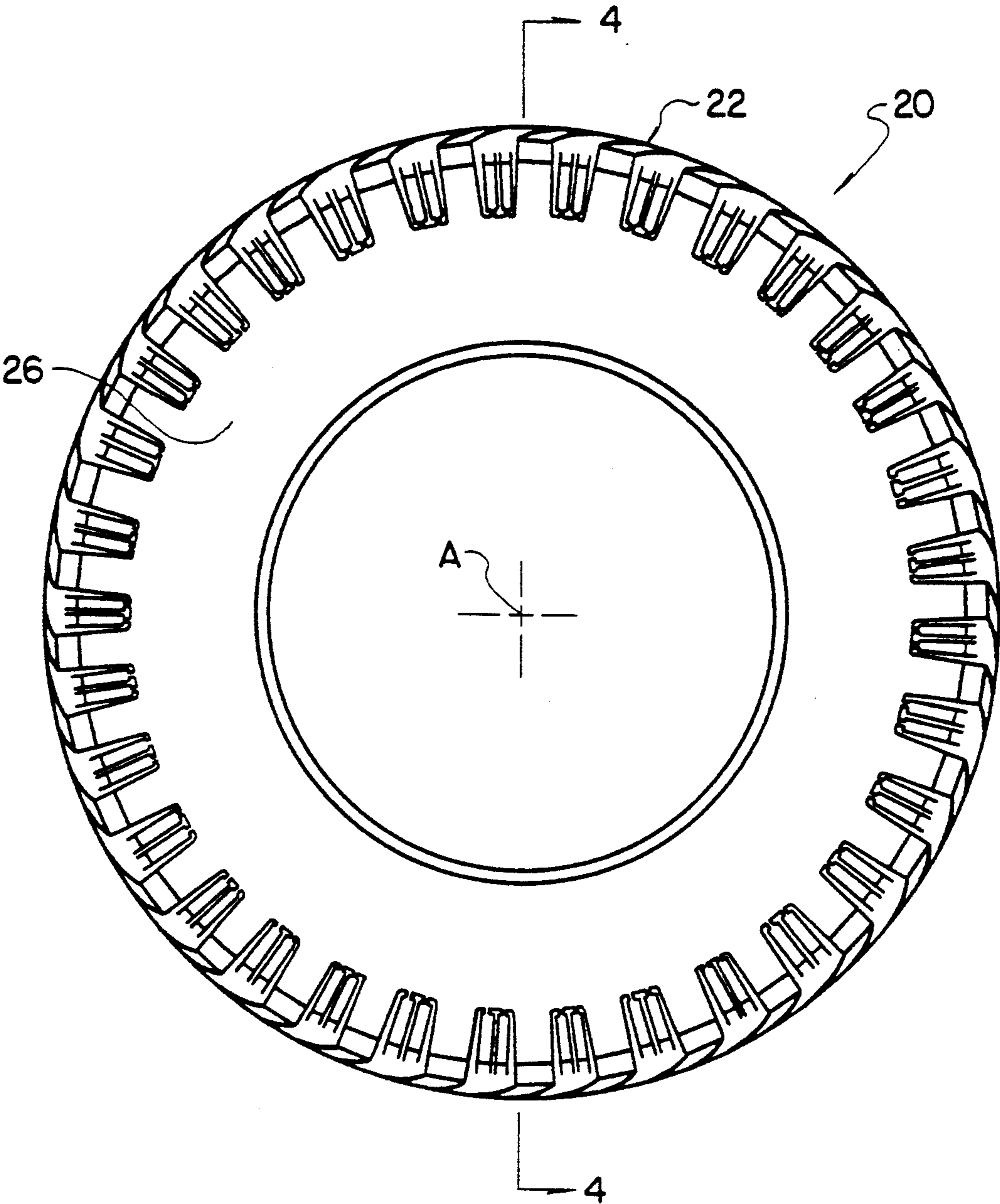


FIG. 2



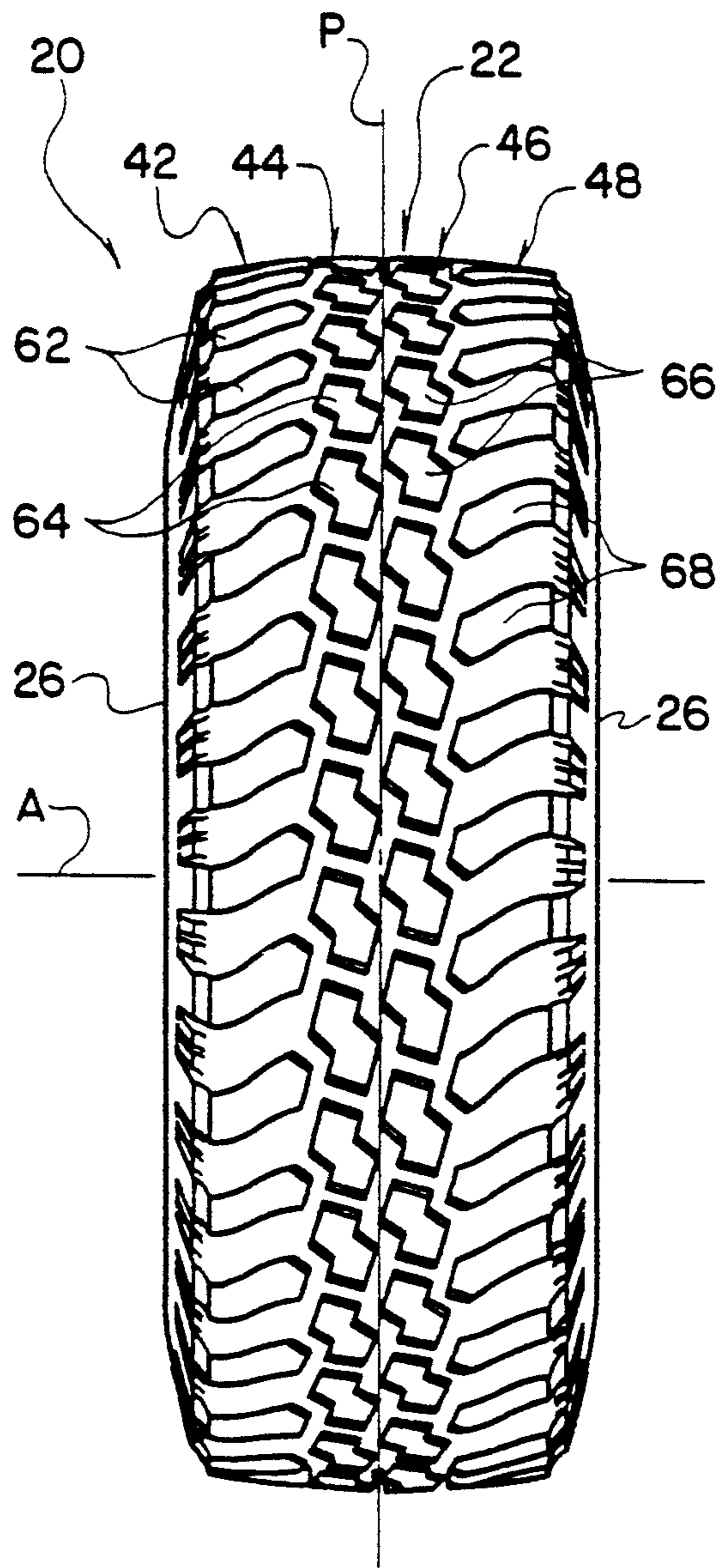


FIG. 3

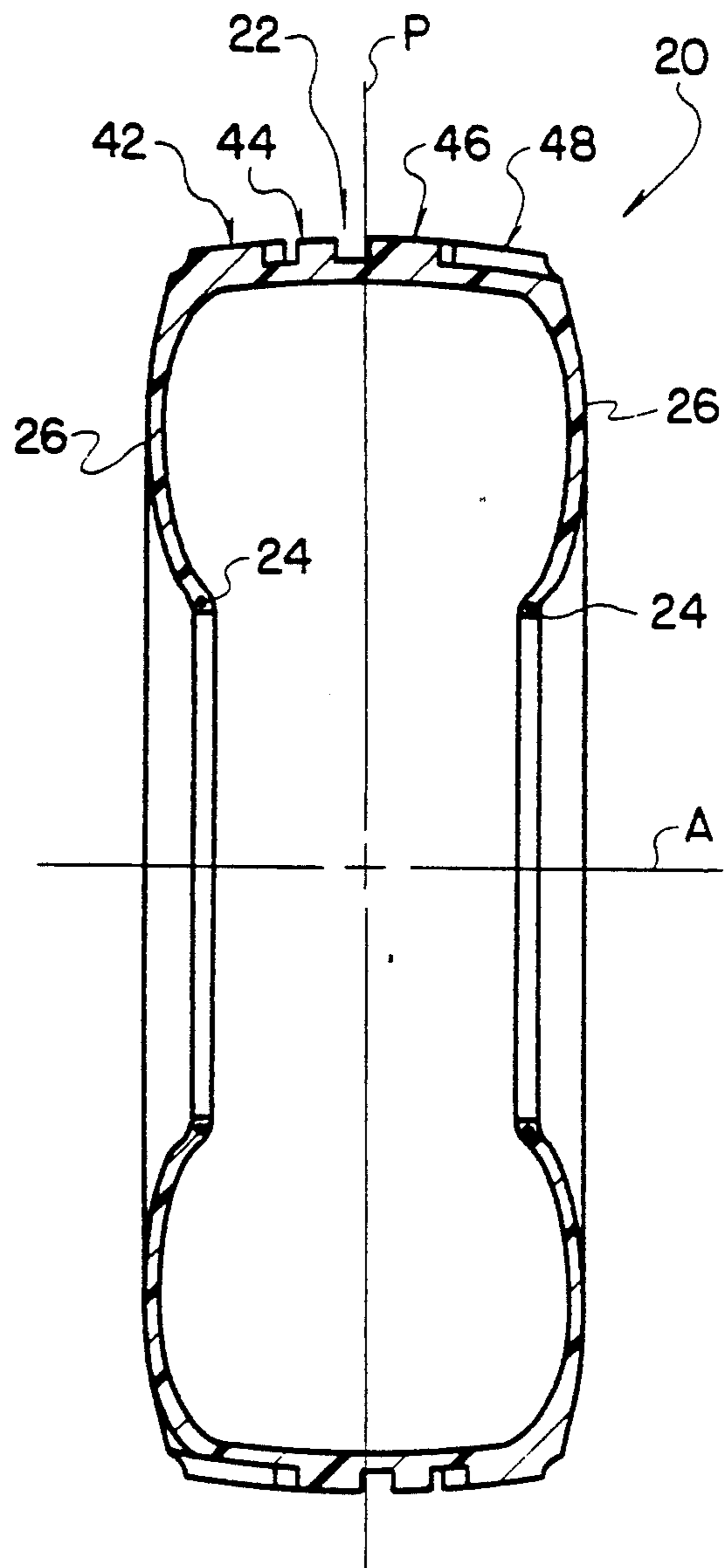


FIG. 4



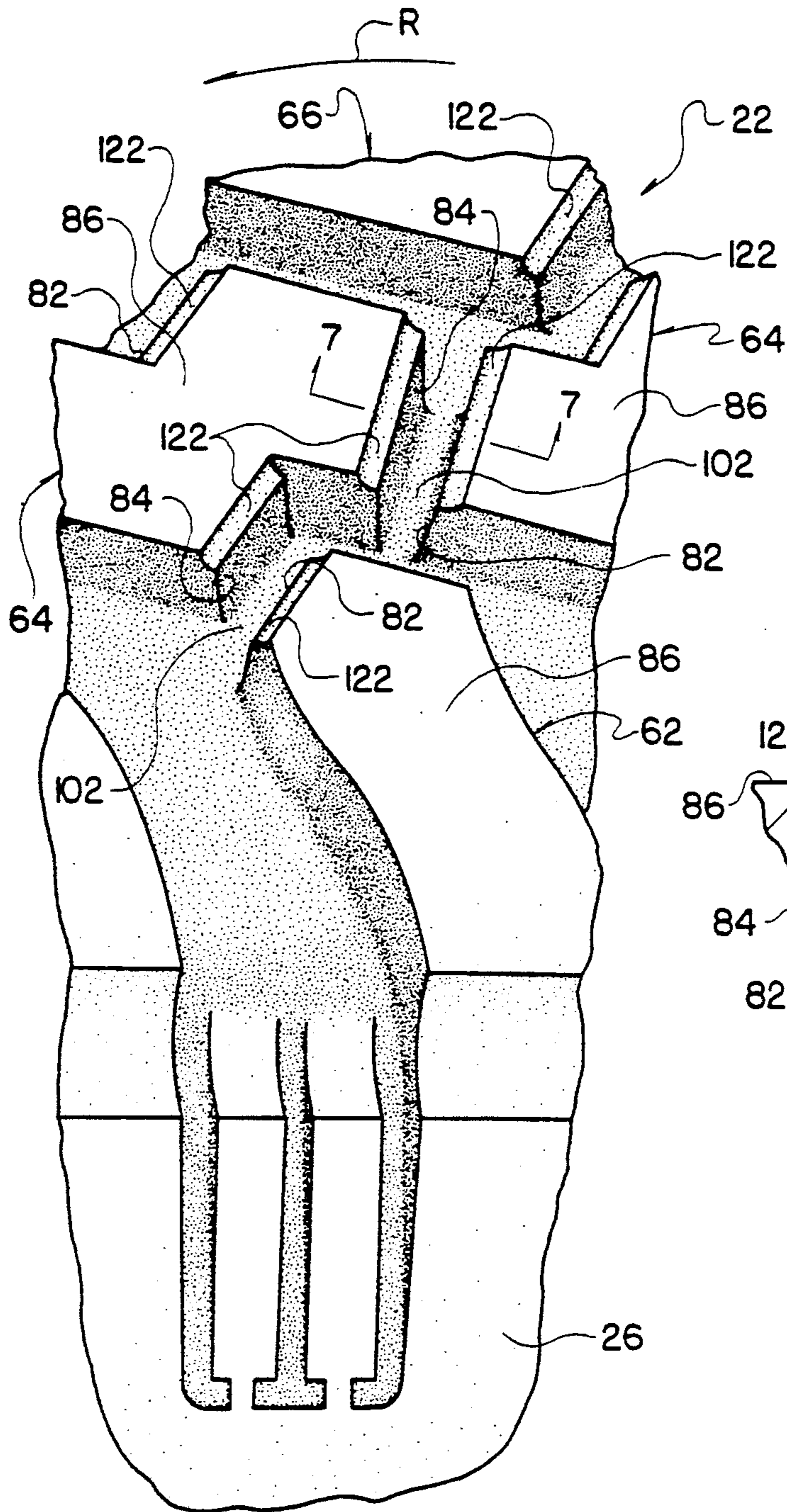


FIG. 6

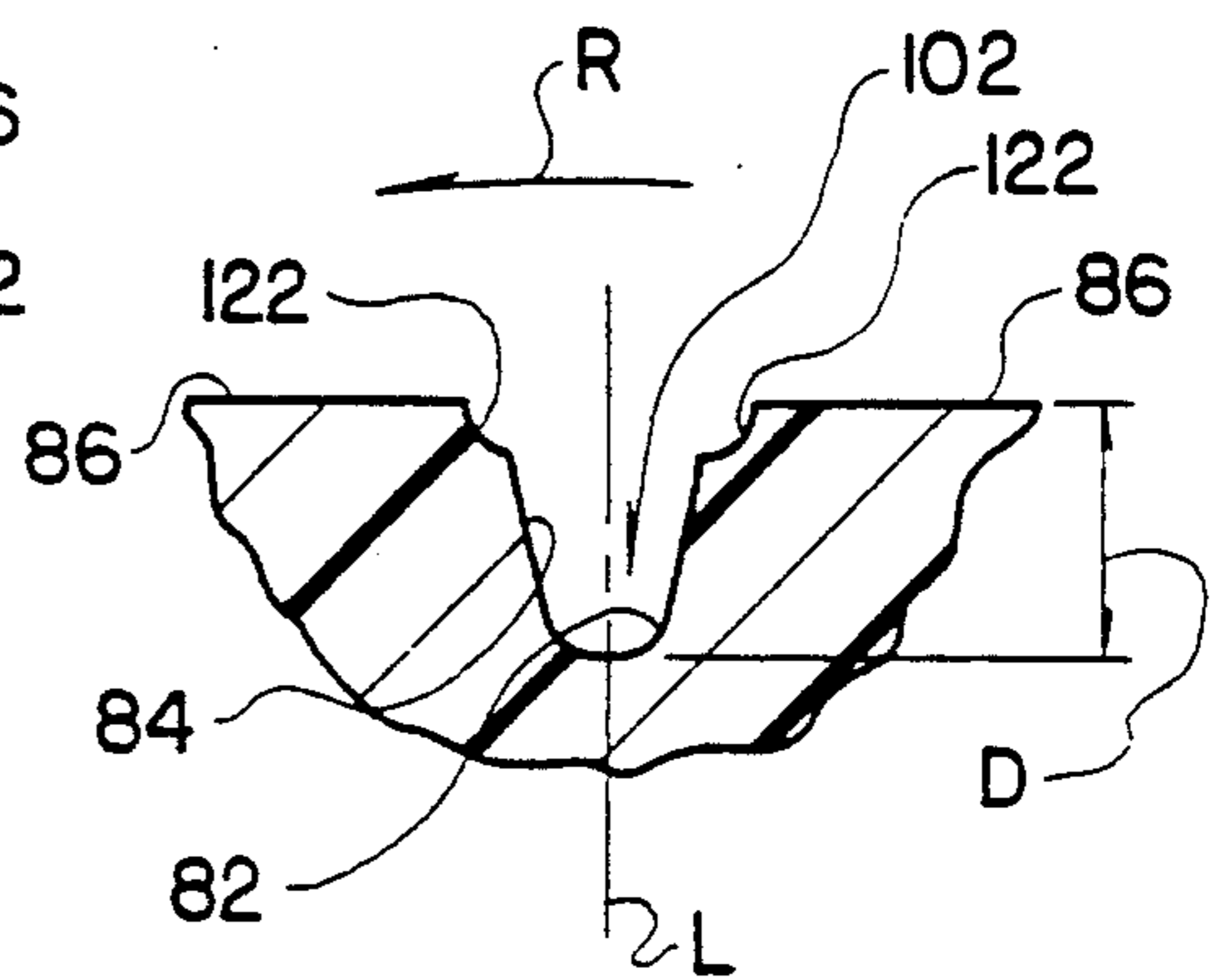


FIG. 7