



US00D342699S

United States Patent [19]

Miyamoto et al.

[11] Patent Number: **Des. 342,699**

[45] Date of Patent: **** Dec. 28, 1993**

[54] **4-WHEELED VEHICLE**

4,153,262 5/1979 Diamond 280/756
4,946,193 8/1990 Oka D12/14

[75] Inventors: **Shiro Miyamoto, Tokyo; Yukinori Kawaguchi, Kawagoe, both of Japan**

FOREIGN PATENT DOCUMENTS

[73] Assignee: **Honda Giken Kogyo Kabushiki Kaisha, Tokyo, Japan**

63-202579 12/1988 Japan .

[**] Term: **14 Years**

Primary Examiner—Wallace R. Burke
Assistant Examiner—Melody Brown
Attorney, Agent, or Firm—Armstrong, Westerman, Hattori, McLeland & Naughton

[21] Appl. No.: **751,235**

[22] Filed: **Aug. 26, 1991**

[57] CLAIM

[30] Foreign Application Priority Data

The ornamental design for a 4-wheeled vehicle, as shown.

Jun. 4, 1991 [JP] Japan 3-18014

[52] U.S. Cl. **D12/1**

[58] Field of Search D12/1, 14, 16; 280/756; 180/22, 24.01, 24.11; 414/460

DESCRIPTION

[56] References Cited

U.S. PATENT DOCUMENTS

D. 292,899 11/1987 Samuelson et al. D12/16
D. 299,323 1/1989 Page D12/14
D. 332,239 1/1993 Hirata et al. D12/1

FIG. 1 is a left side rear perspective view of a 4-wheeled vehicle showing my new design;
FIG. 2 is a right side front perspective thereof;
FIG. 3 is a left side view thereof;
FIG. 4 is a right side view thereof;
FIG. 5 is a front view thereof;
FIG. 6 is a rear view thereof; and,
FIG. 7 is a top view thereof.

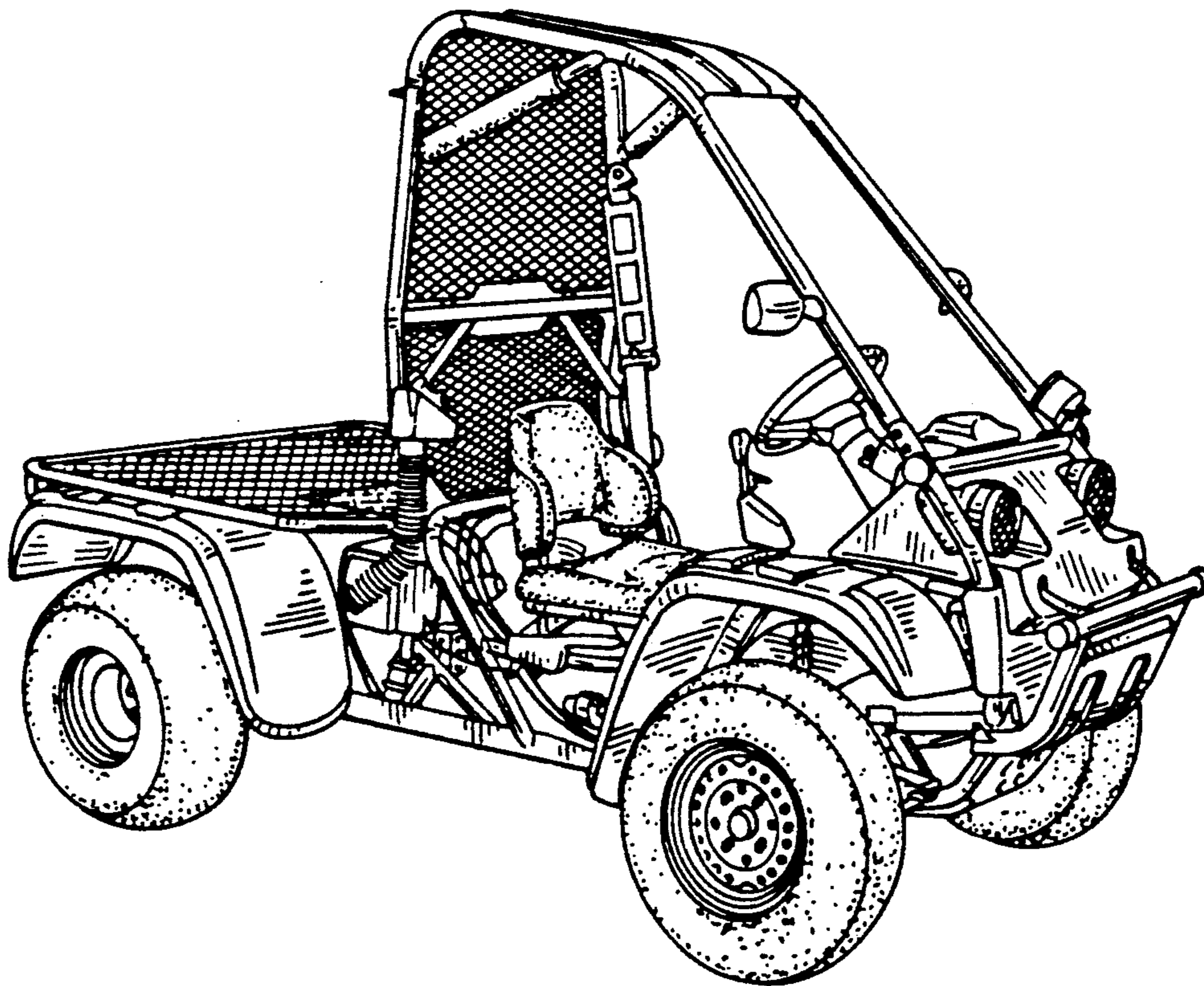


Fig. 1

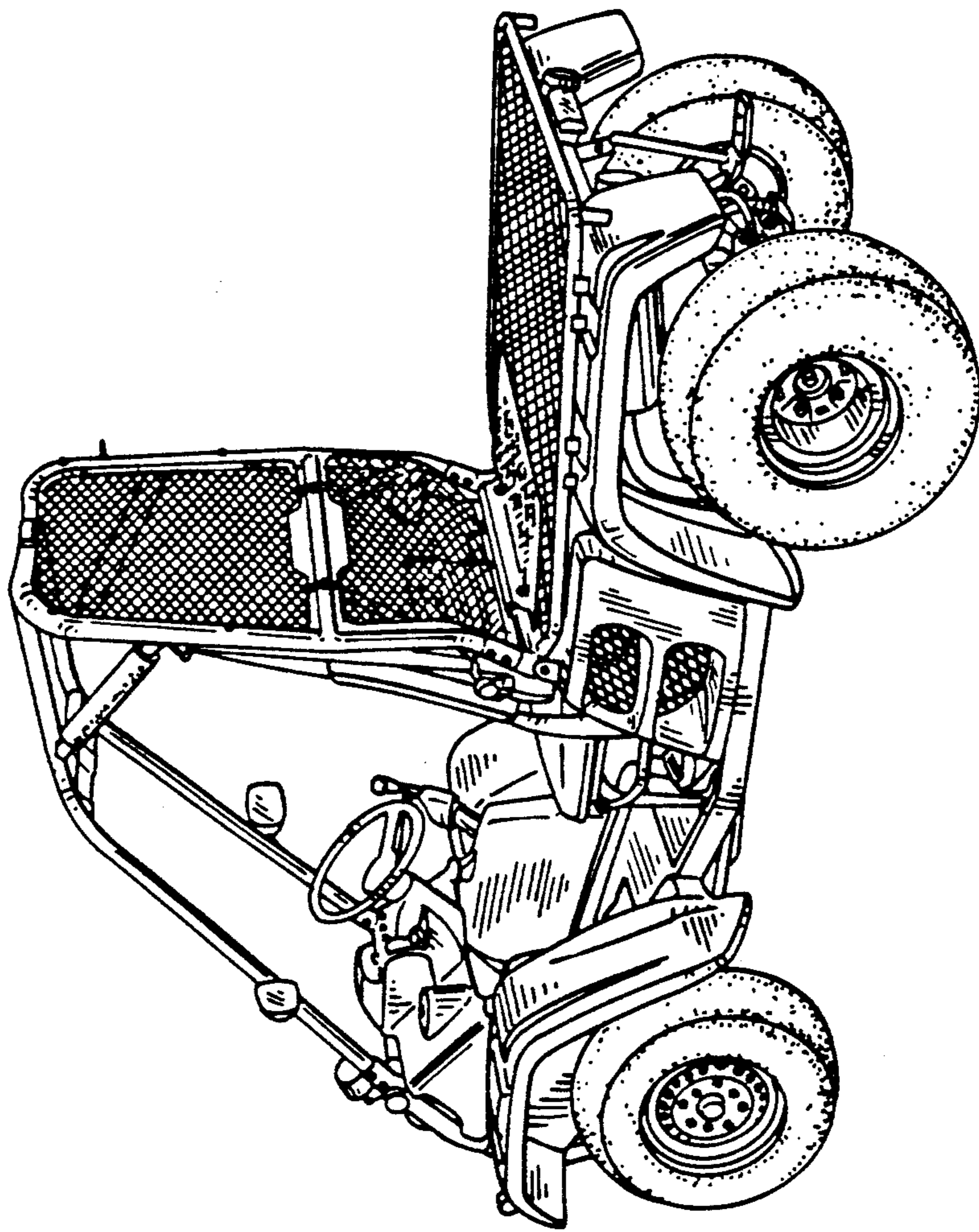


Fig. 2

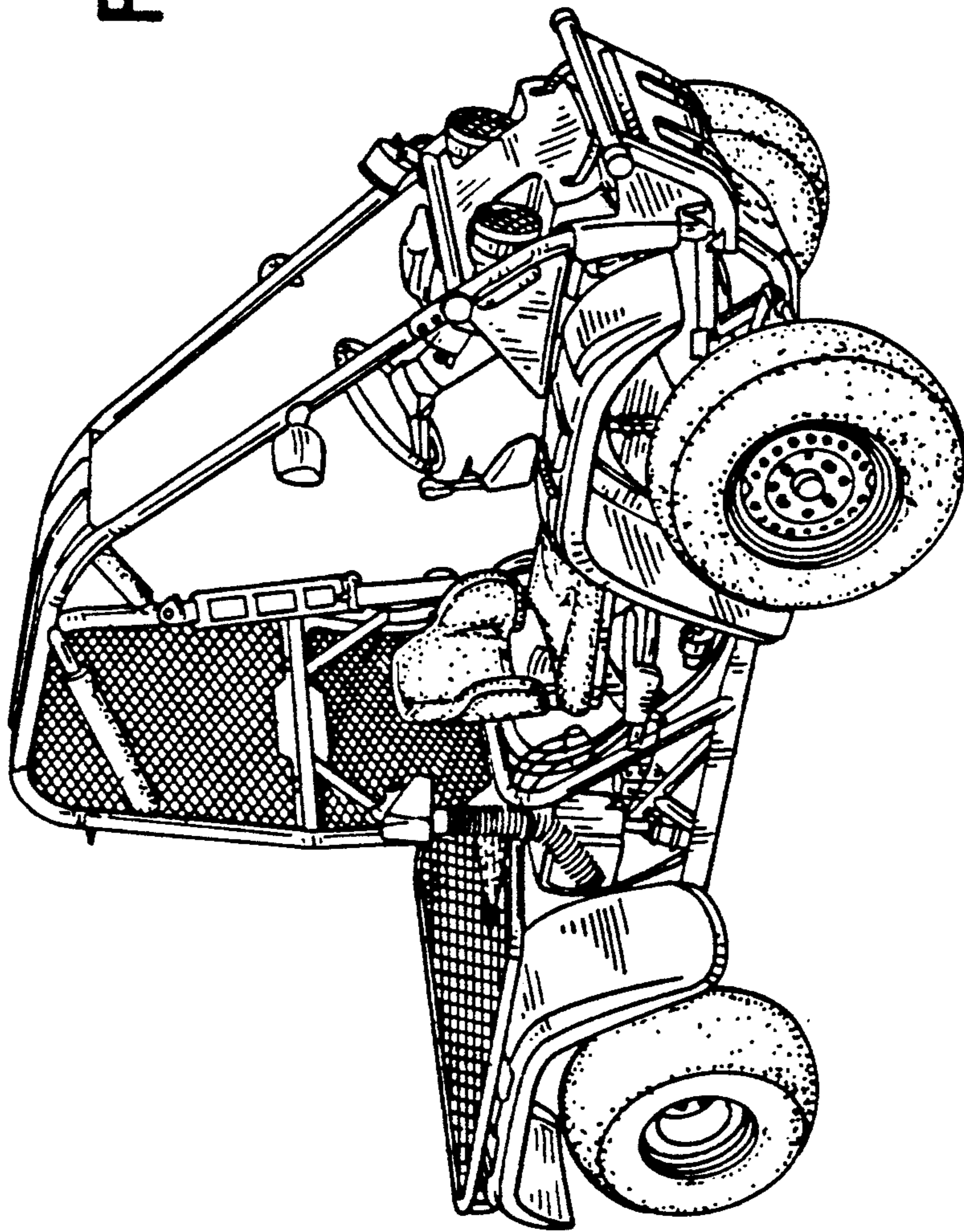


Fig. 3

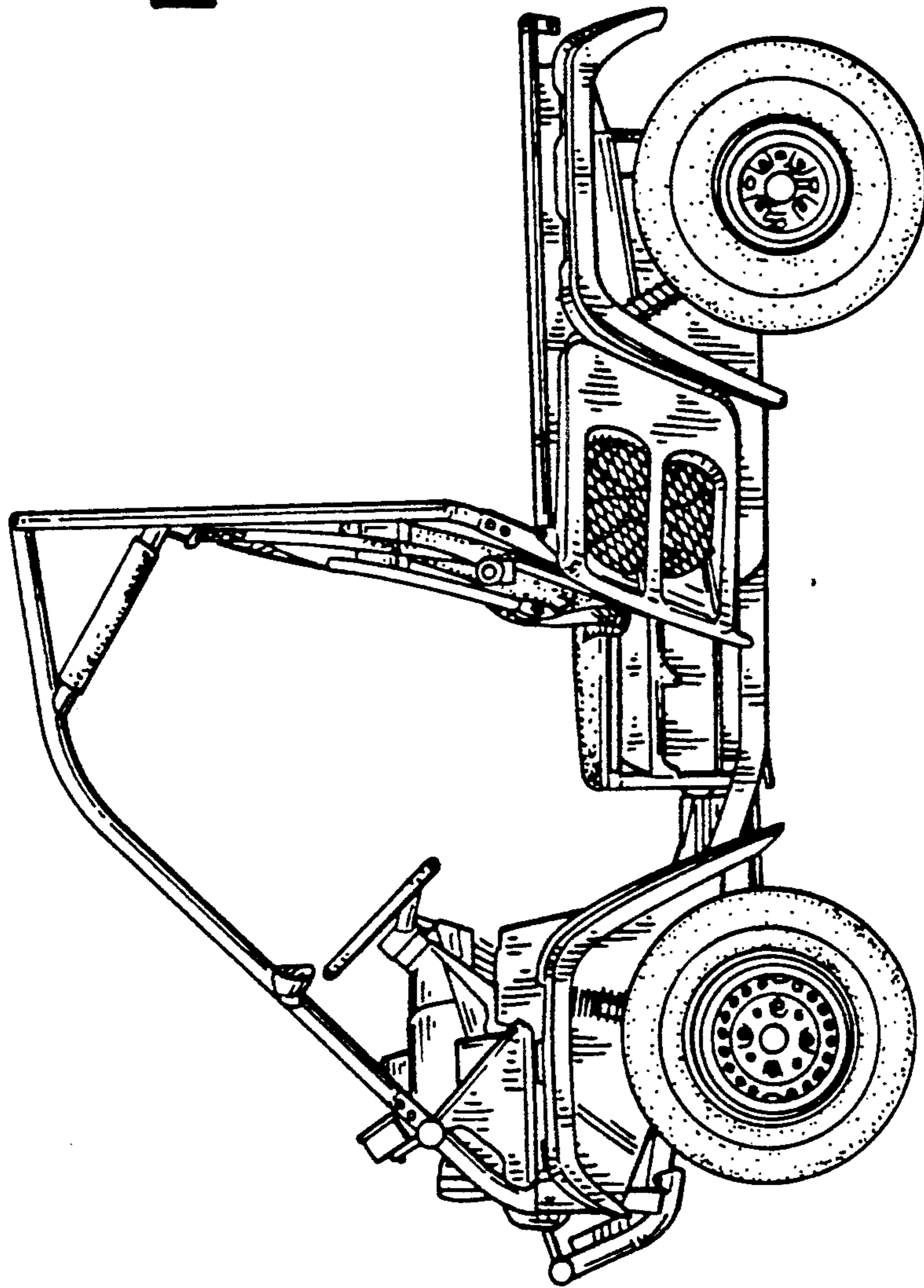
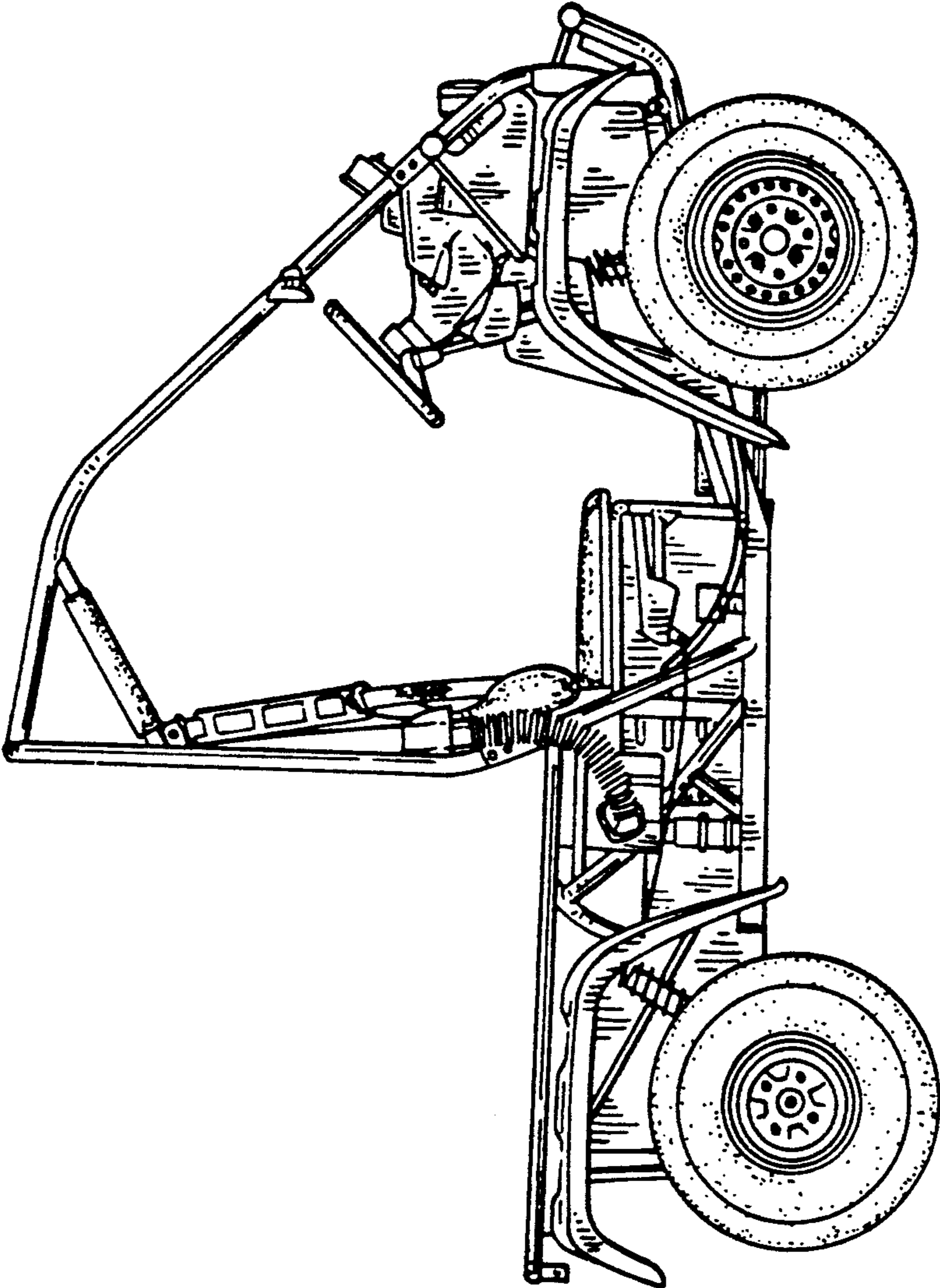


Fig. 4



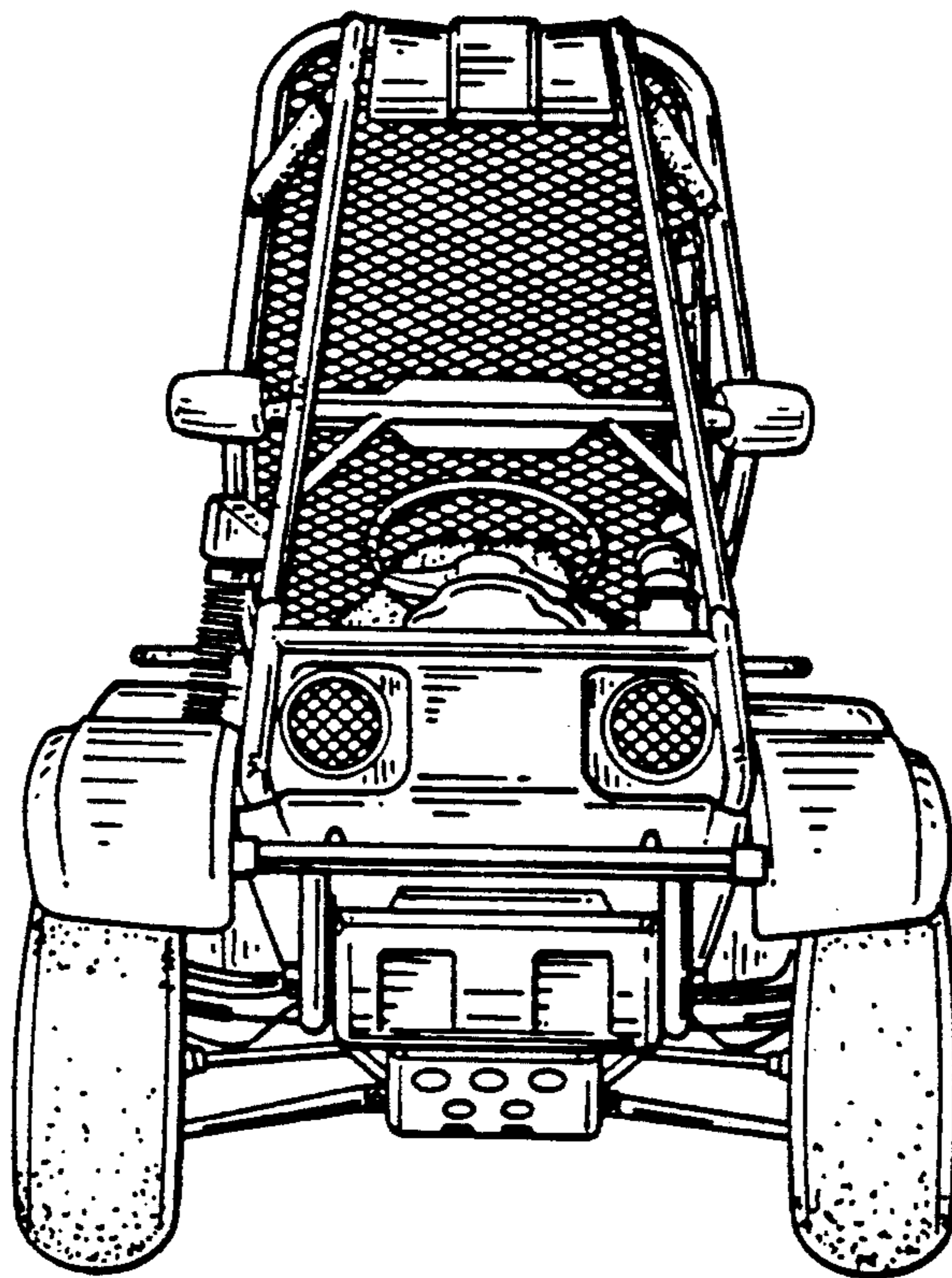


Fig. 5

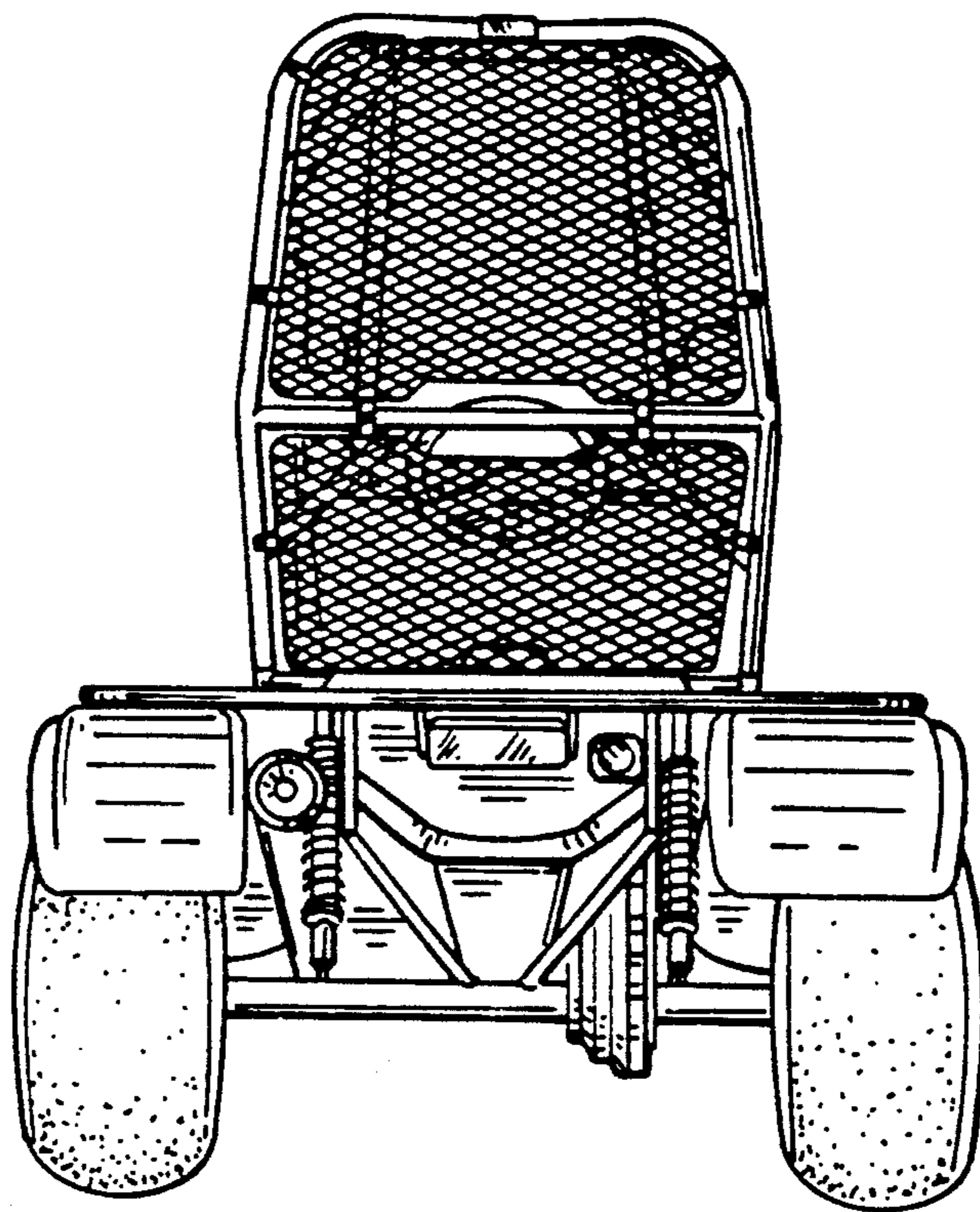


Fig. 6

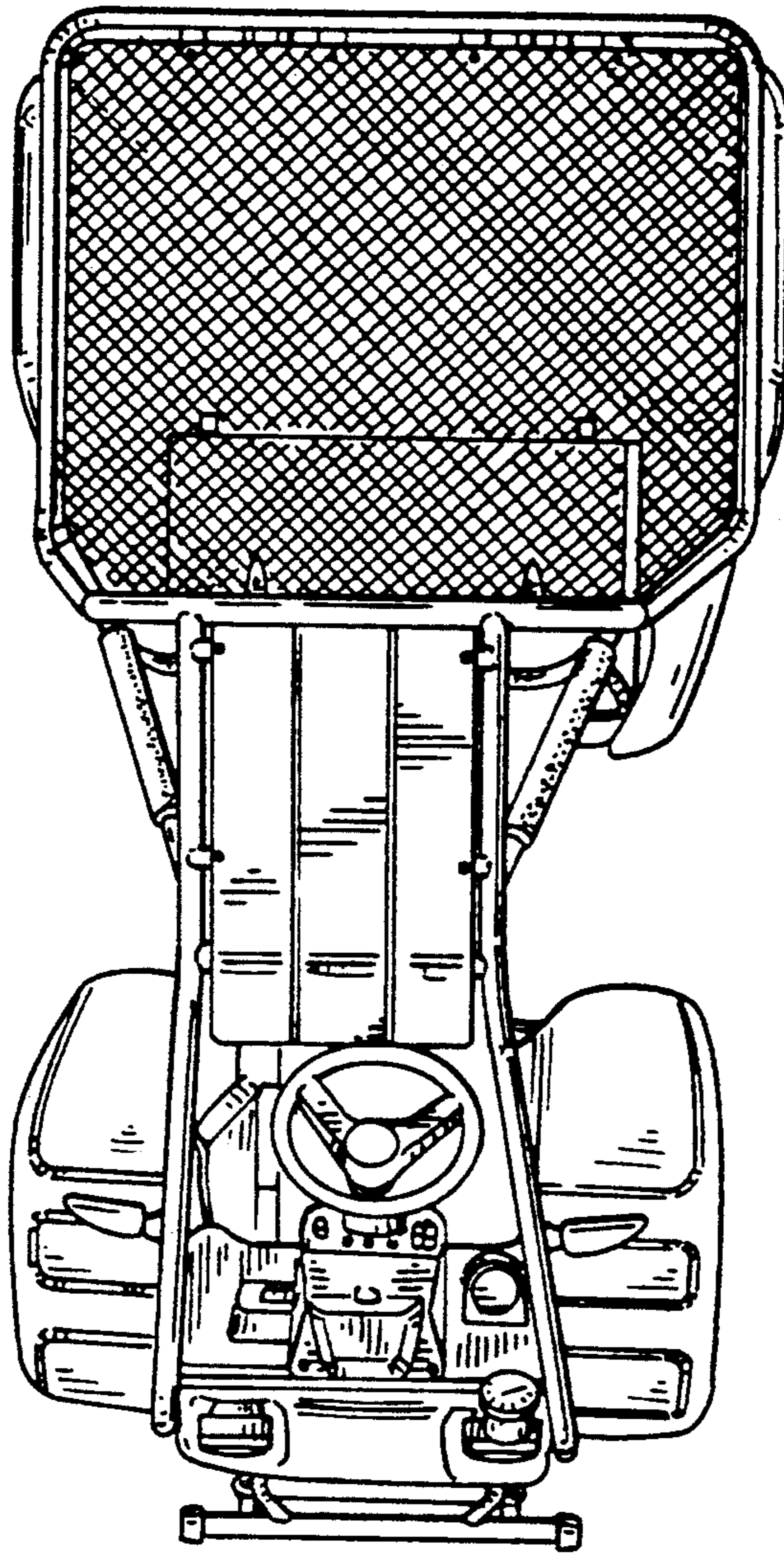


Fig. 7