



US00D342688S

United States Patent [19]

[11] Patent Number: **Des. 342,688**

Jackson

[45] Date of Patent: **** Dec. 28, 1993**

[54] GRIP METER

[75] Inventor: **Joseph F. Jackson**, Halifax, England

[73] Assignee: **Pratt Burnerd International, Ltd.**,
West Yorkshire, England

[**] Term: **14 Years**

[21] Appl. No.: **1,460**

[22] Filed: **Nov. 13, 1992**

[30] Foreign Application Priority Data

May 15, 1992 [GB] United Kingdom 2022957

[52] U.S. Cl. **D10/85; D10/83**

[58] Field of Search **D10/46, 83, 84, 85;**
73/379.01, 379.02, 379.03; 128/774, 782; 482/1,
7, 8, 9, 49, 50, 901, 902

[56] References Cited

U.S. PATENT DOCUMENTS

D. 263,568	3/1982	Sadler	D10/83
D. 274,134	6/1984	Sadler	D10/83
3,672,219	6/1972	Van Patten	73/379.02
4,884,445	12/1989	Sadoff et al.	73/379.02

Primary Examiner—Alan P. Douglas
Assistant Examiner—Antoine D. Davis
Attorney, Agent, or Firm—Richard E. Jenkins

[57] CLAIM

The ornamental design for a grip meter, as shown and described.

DESCRIPTION

FIG. 1 is a view from above and one end of the set of articles comprising the grip meter;

FIG. 2 is a front perspective view from above and one side thereof of the set of articles comprising the grip meter;

FIG. 3 is a rear perspective view from above and one side thereof of the set of articles comprising the grip meter;

FIG. 4 is a front elevation view of the set of articles comprising the grip meter;

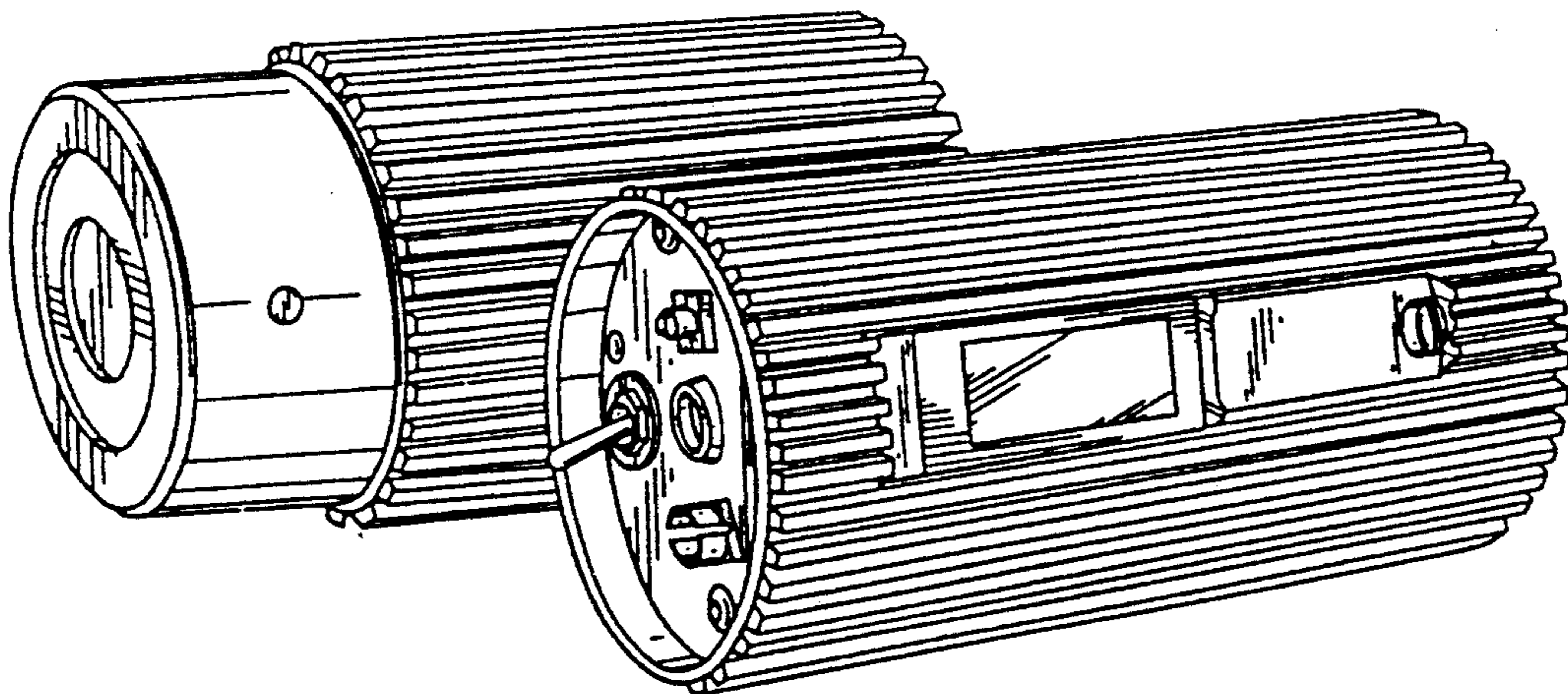
FIG. 5 is a rear elevation view of the set of articles comprising the grip meter;

FIG. 6 is a top plan view of the set of articles comprising the grip meter;

FIG. 7 is a bottom plan view of the set of articles comprising the grip meter;

FIG. 8 is a side elevation view of one article of the set of articles comprising the grip meter wherein the other side is a mirror image thereof; and,

FIG. 9 is a side elevation view of the other article not shown in FIG. 8 of the set of articles comprising the grip meter wherein the other side is a mirror image thereof.



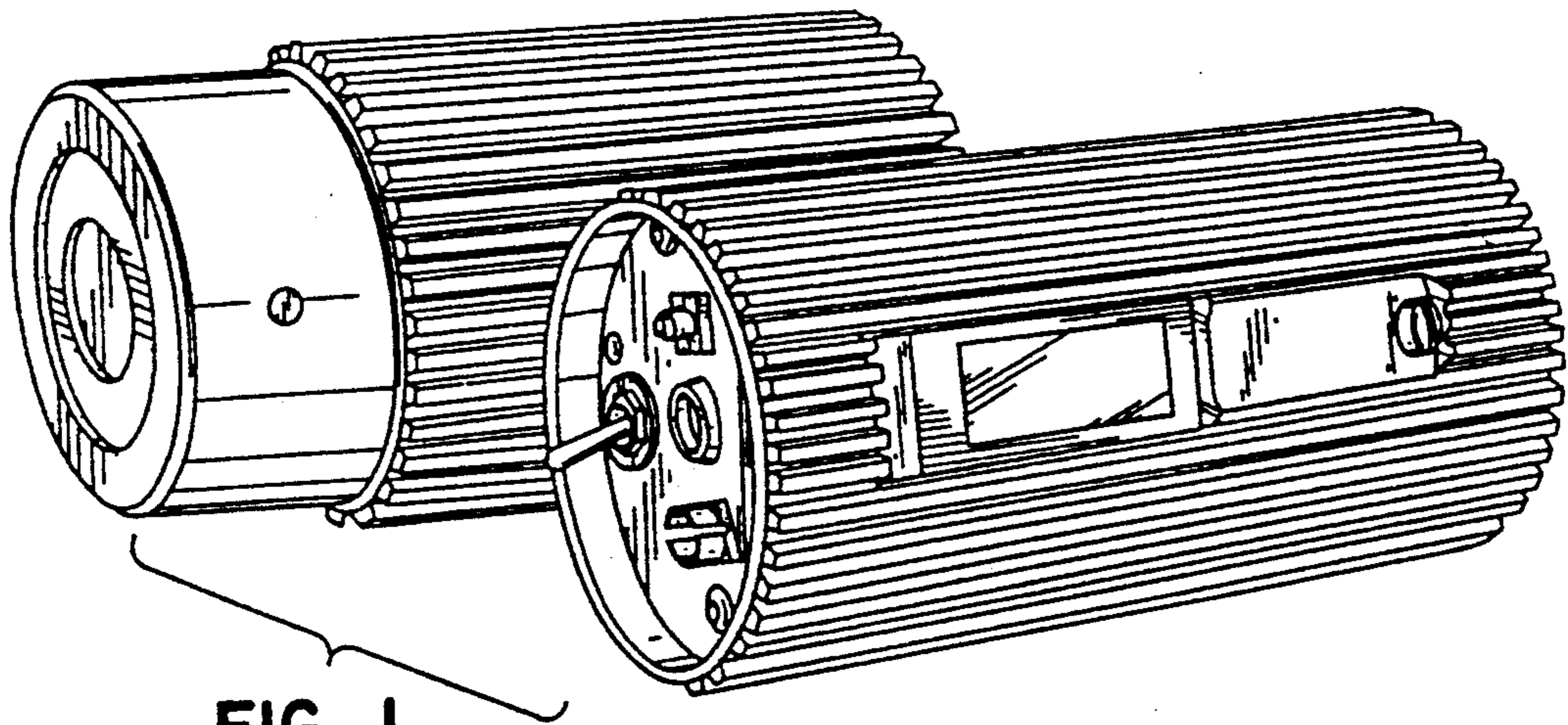


FIG. 1

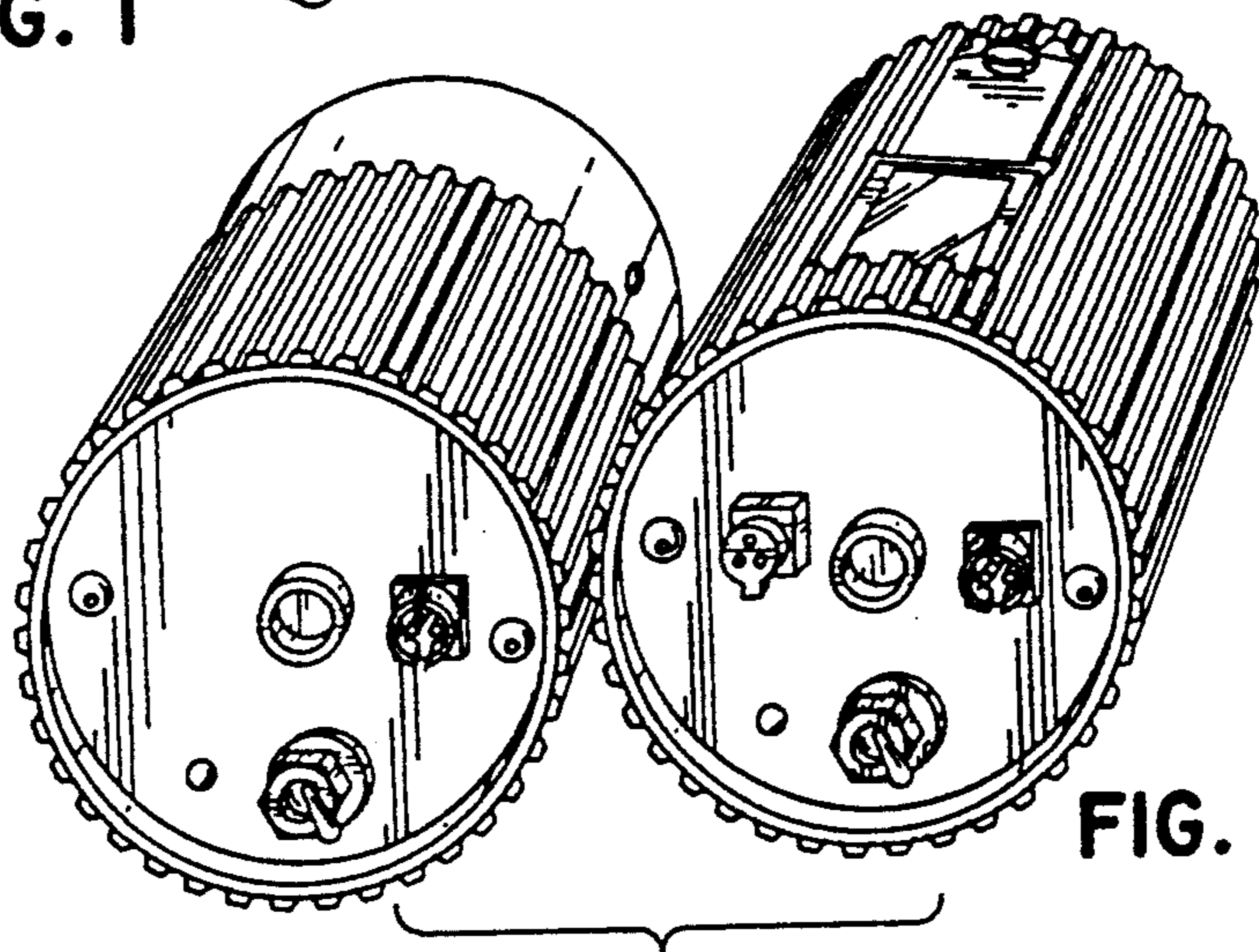


FIG. 2

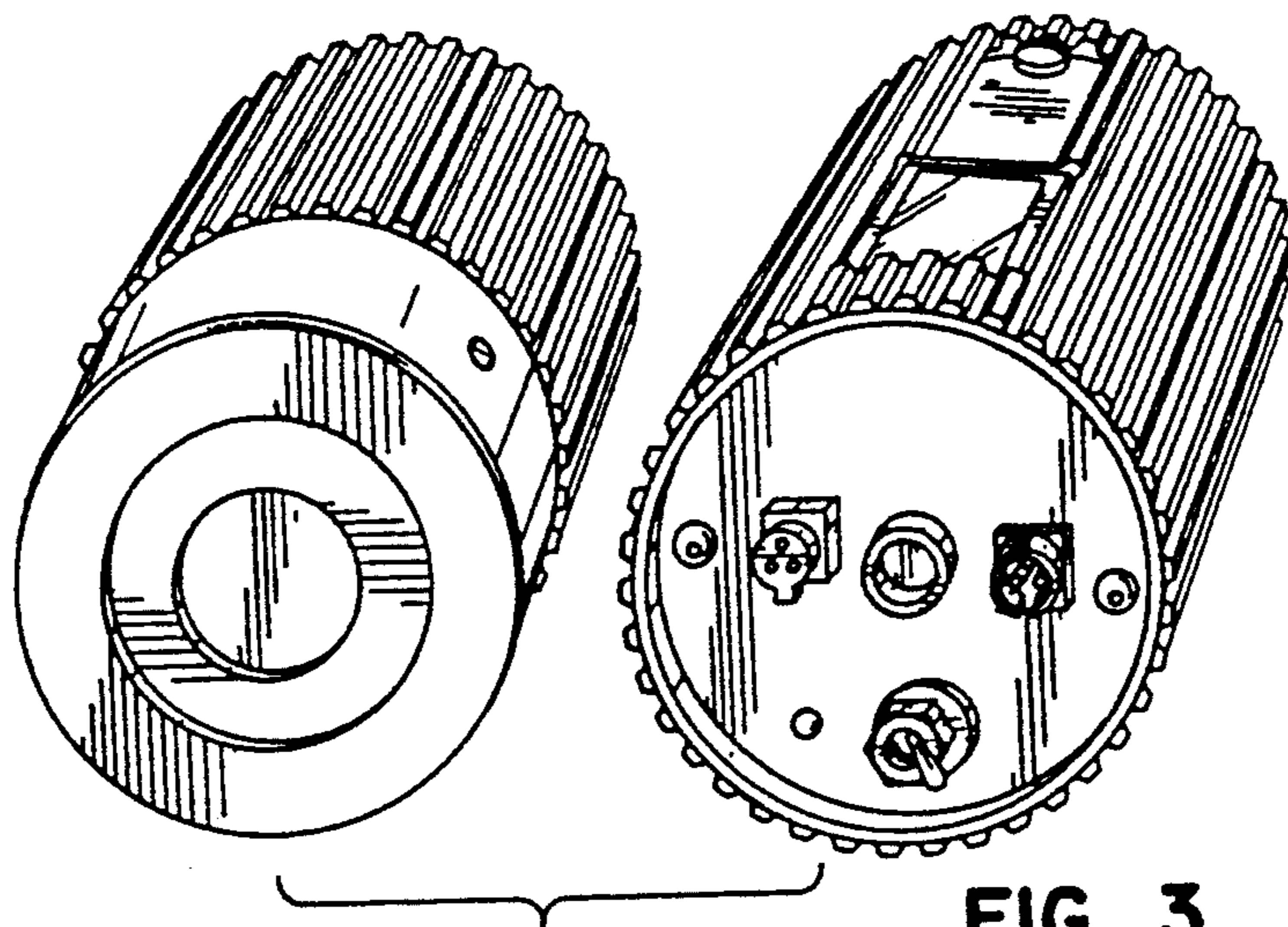


FIG. 3

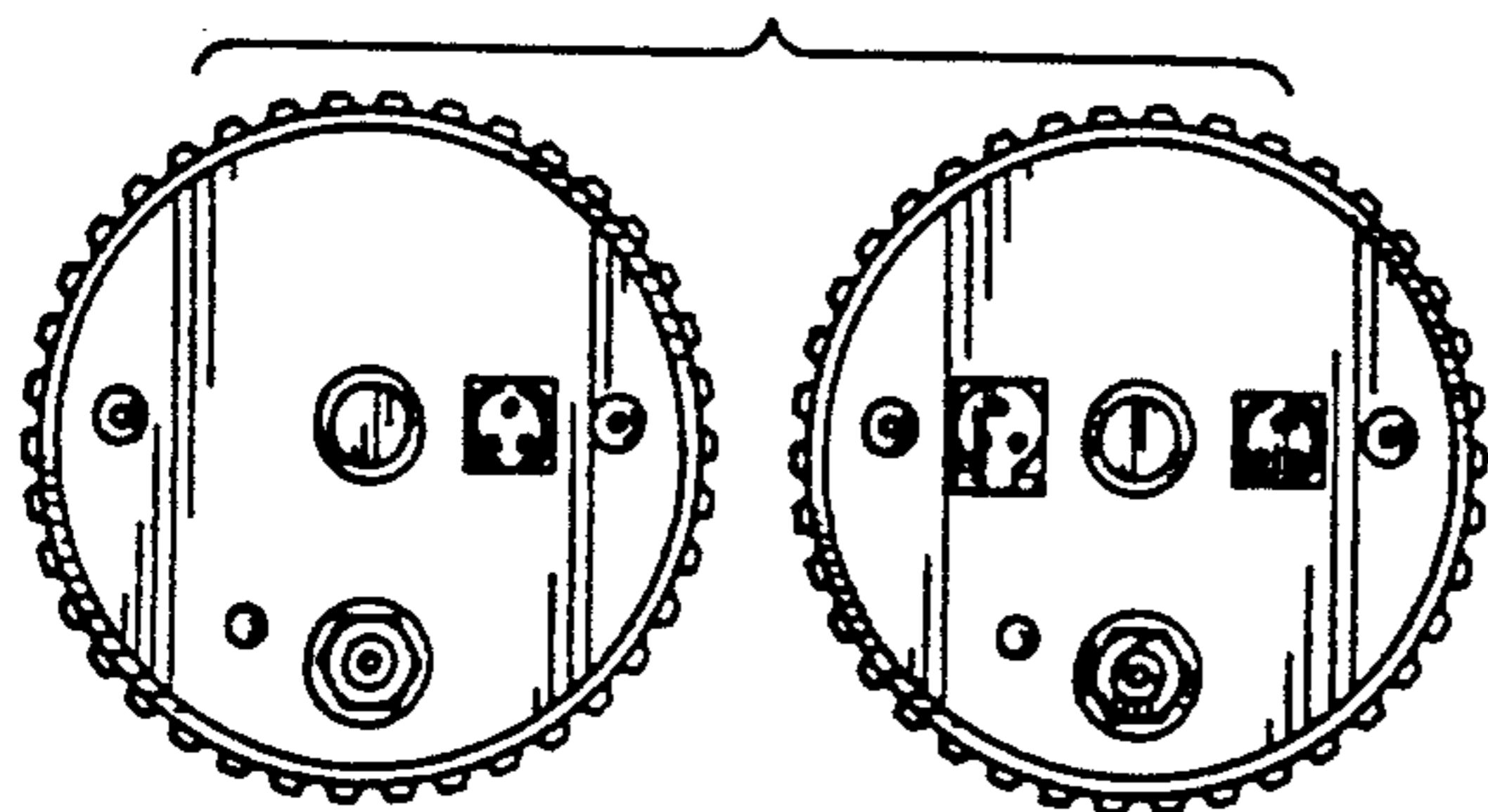


FIG. 4

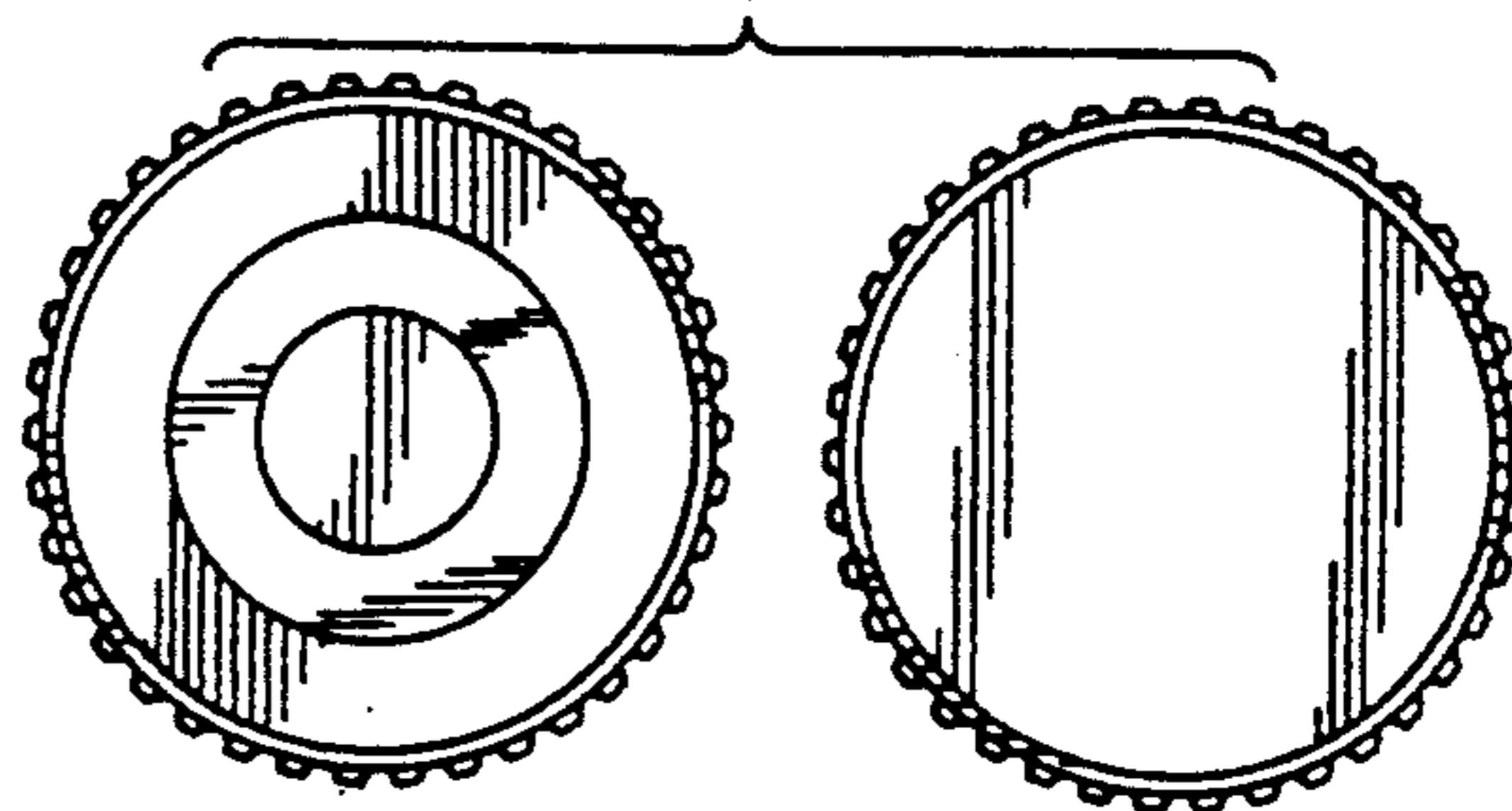


FIG. 5

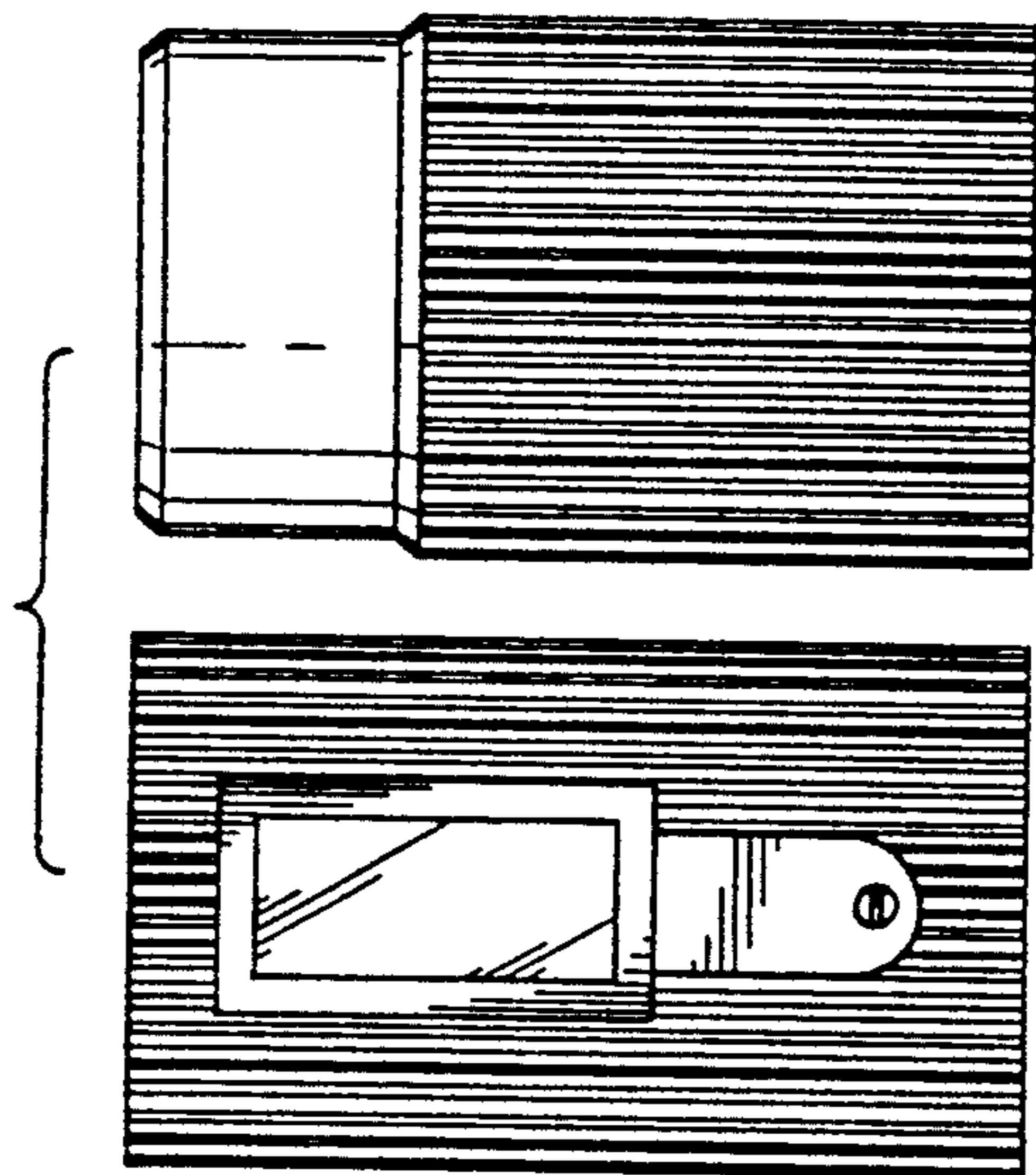


FIG. 6

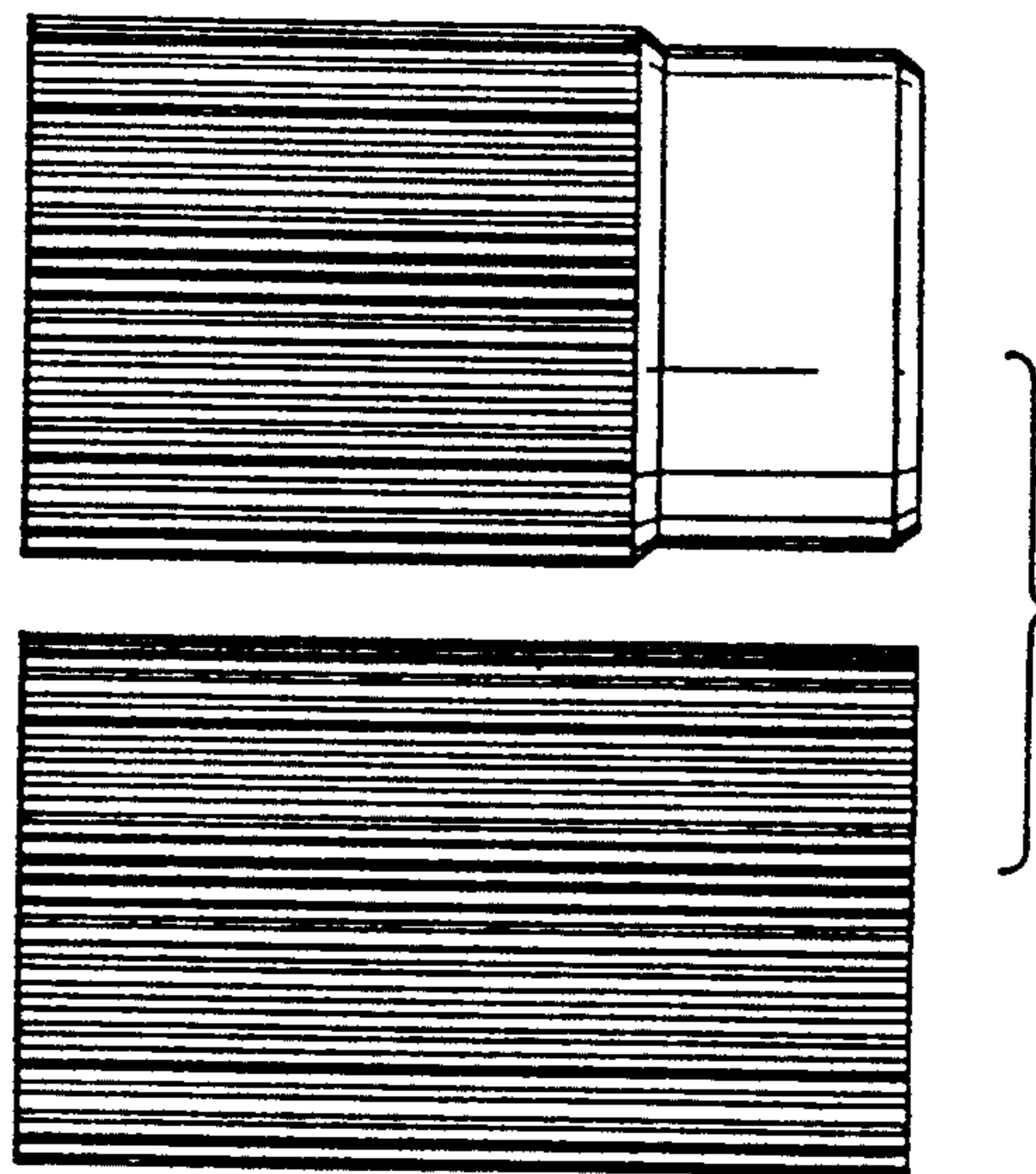


FIG. 7



FIG. 8

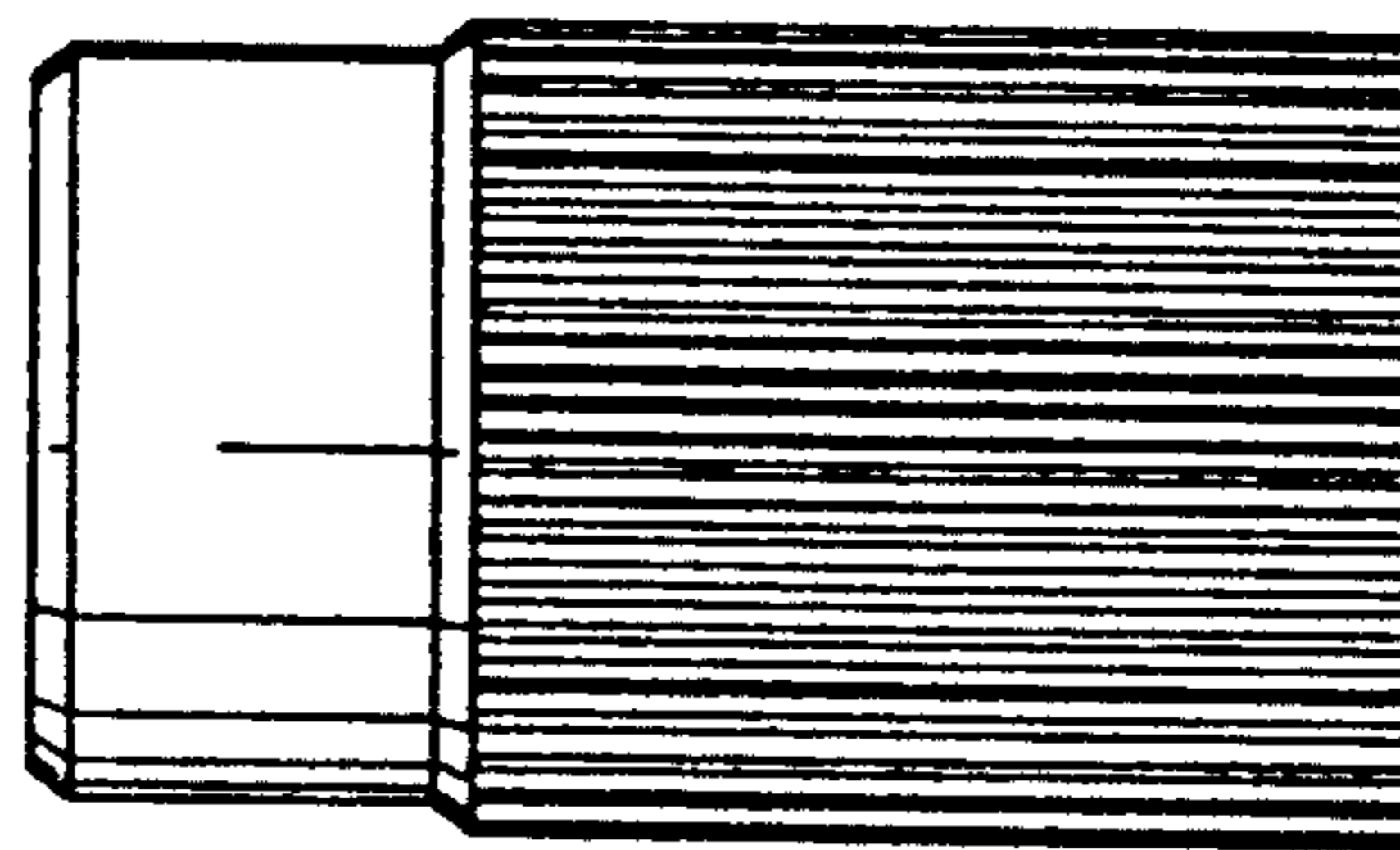


FIG. 9