



US00D342687S

United States Patent [19]

[11] Patent Number: **Des. 342,687**

Kang

[45] Date of Patent: **** Dec. 28, 1993**

[54] **TAPE MEASURE**

[75] Inventor: **Dong H. Kang, Pusan, Rep. of Korea**

[73] Assignee: **Komelon Corporation Ltd., Pusan, Rep. of Korea**

[**] Term: **14 Years**

[21] Appl. No.: **914,423**

[22] Filed: **Jul. 15, 1992**

[30] **Foreign Application Priority Data**

May 19, 1992 [KR] Rep. of Korea 1992/8180

[52] U.S. Cl. **D10/72**

[58] Field of Search **D10/72; 33/756-772**

[56] **References Cited**

U.S. PATENT DOCUMENTS

D. 211,054 5/1968 Heuer D10/72

D. 279,553 7/1985 Drechsler D10/72

3,324,560	6/1967	Snyder	33/768
3,812,588	5/1974	Bennett	33/767
4,023,277	5/1977	Fizer	33/761 X
4,574,486	3/1986	Drechsler	33/771 X

Primary Examiner—Alan P. Douglas
Assistant Examiner—Antoine D. Davis
Attorney, Agent, or Firm—Darby & Darby

[57] **CLAIM**

The ornamental design for a tape measure, as shown and described.

DESCRIPTION

FIG. 1 is a perspective of a tape measure;
FIG. 2 is a top plan view thereof;
FIG. 3 is a front elevational view thereof;
FIG. 4 is a bottom plan view thereof;
FIG. 5 is a rear elevational view thereof;
FIG. 6 is a left side elevational view thereof;
FIG. 7 is a right side elevational view thereof; and,
FIG. 8 is a perspective of a tape measure.

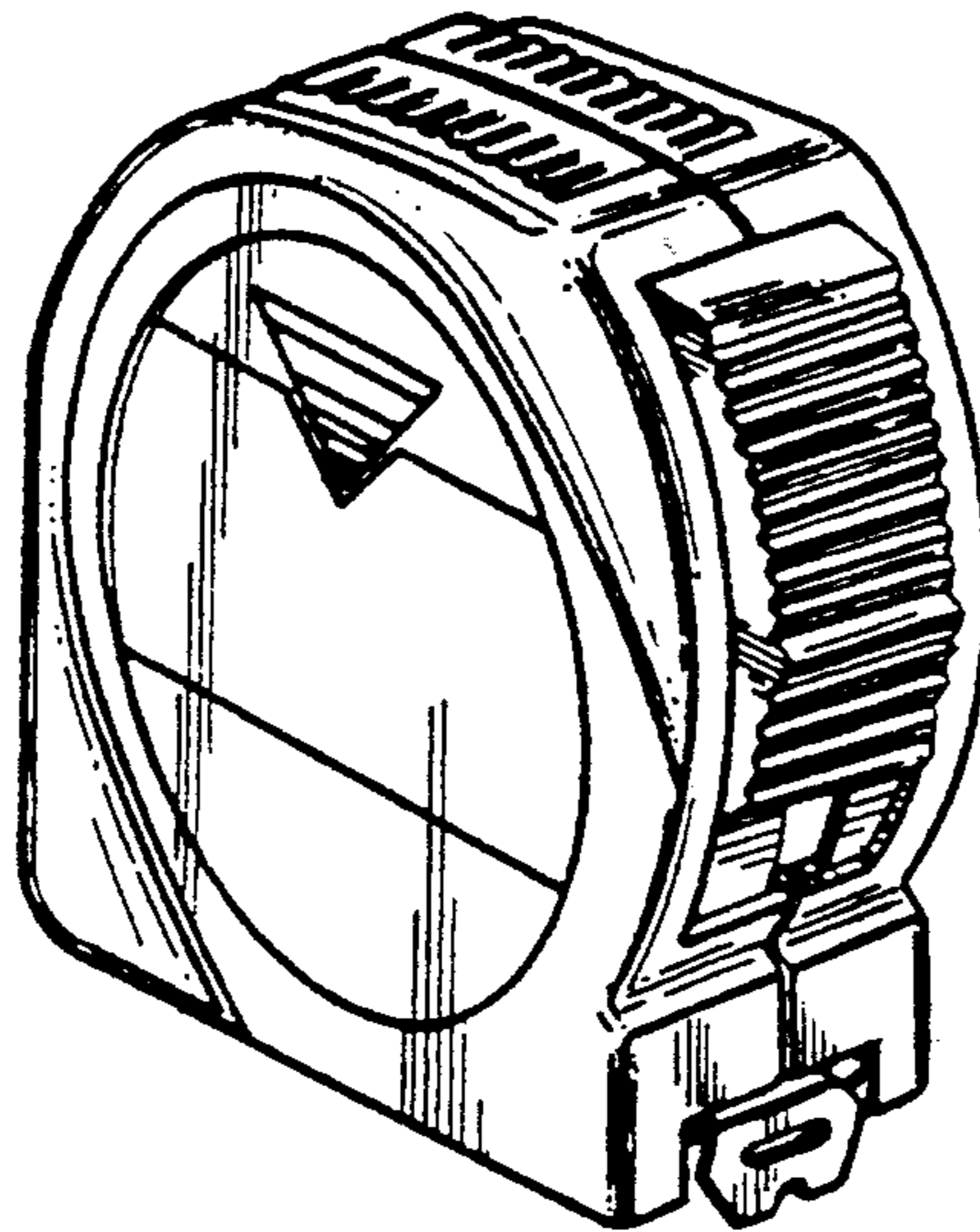


FIG. 1

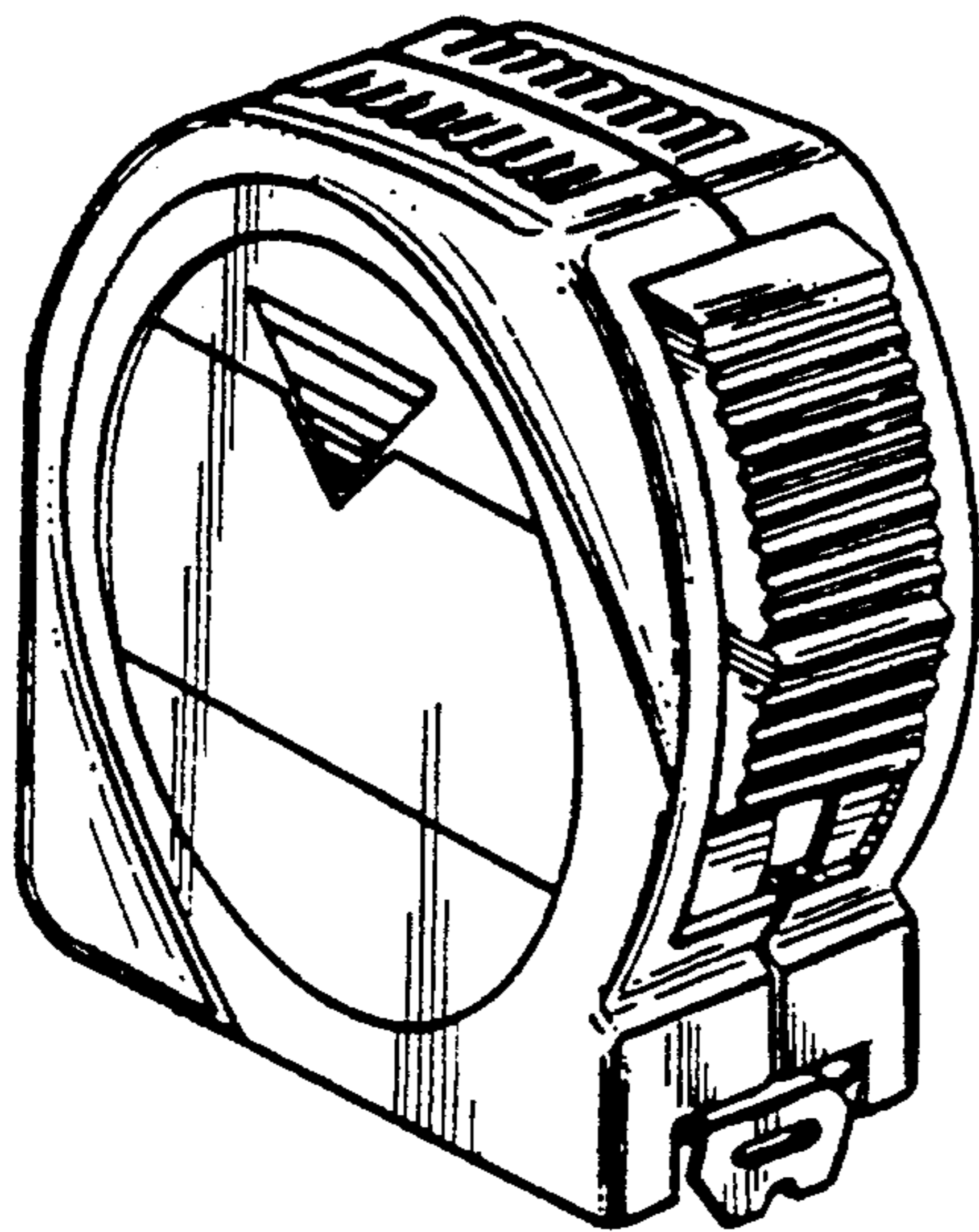


FIG. 7

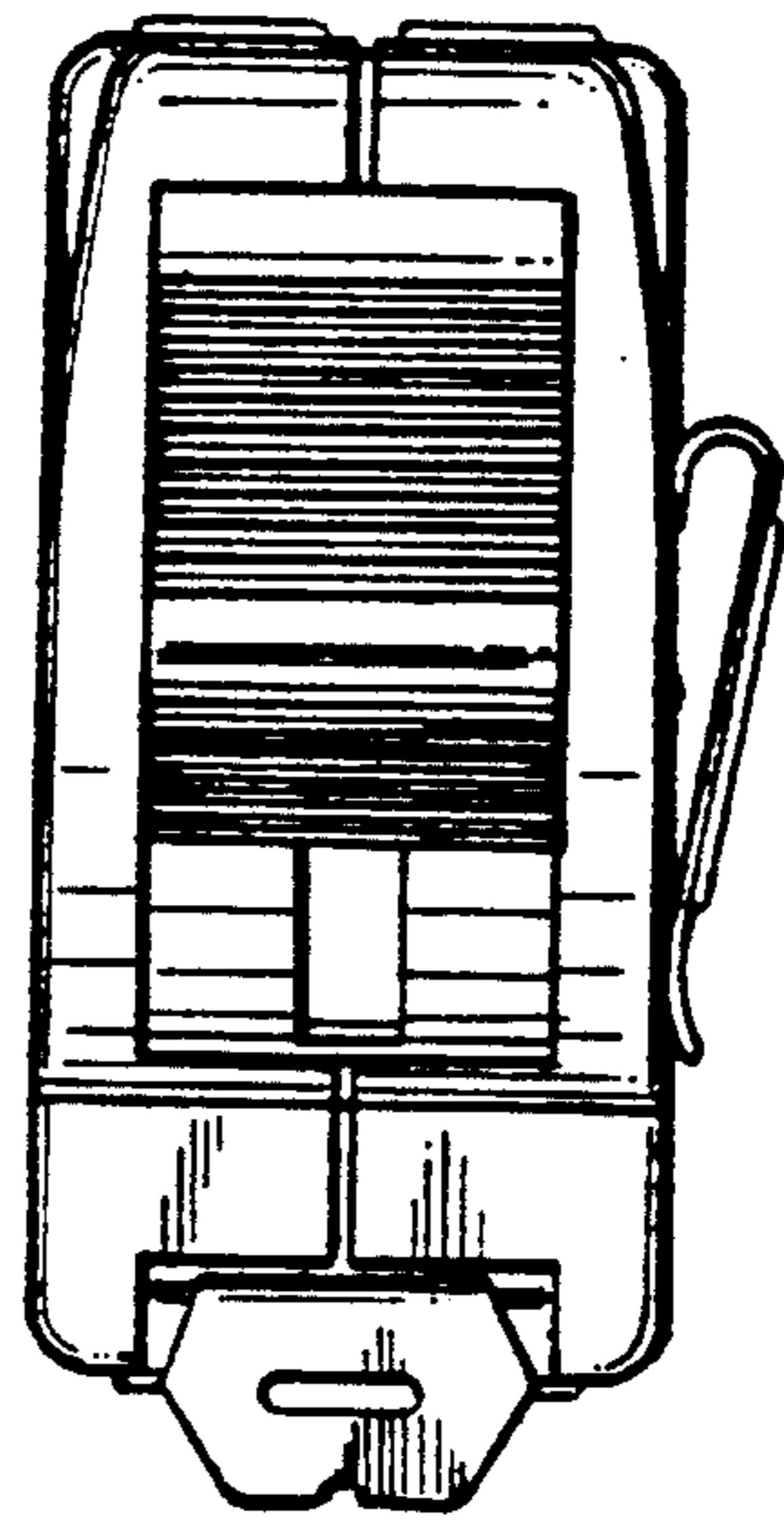


FIG. 8

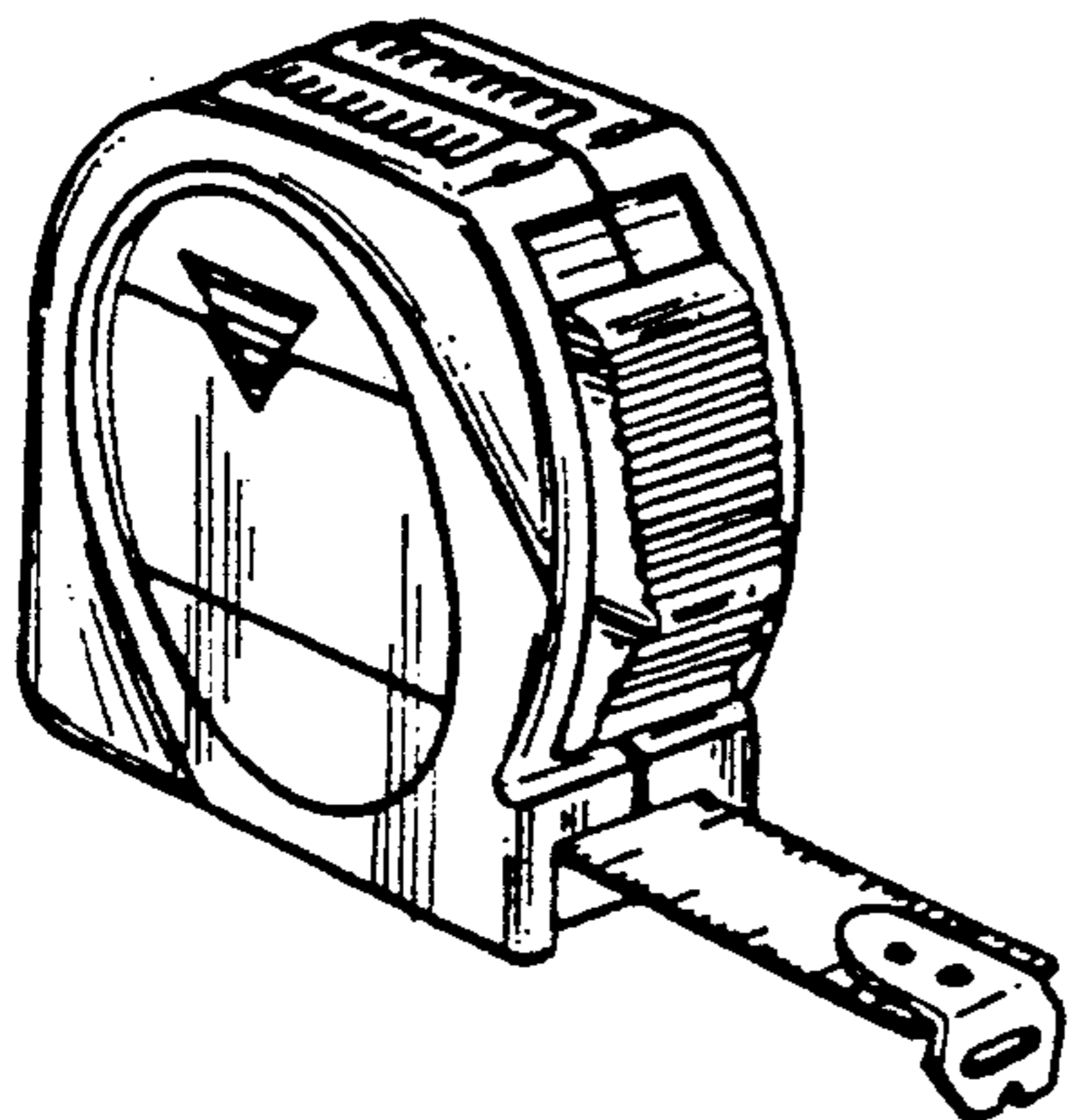


FIG. 2

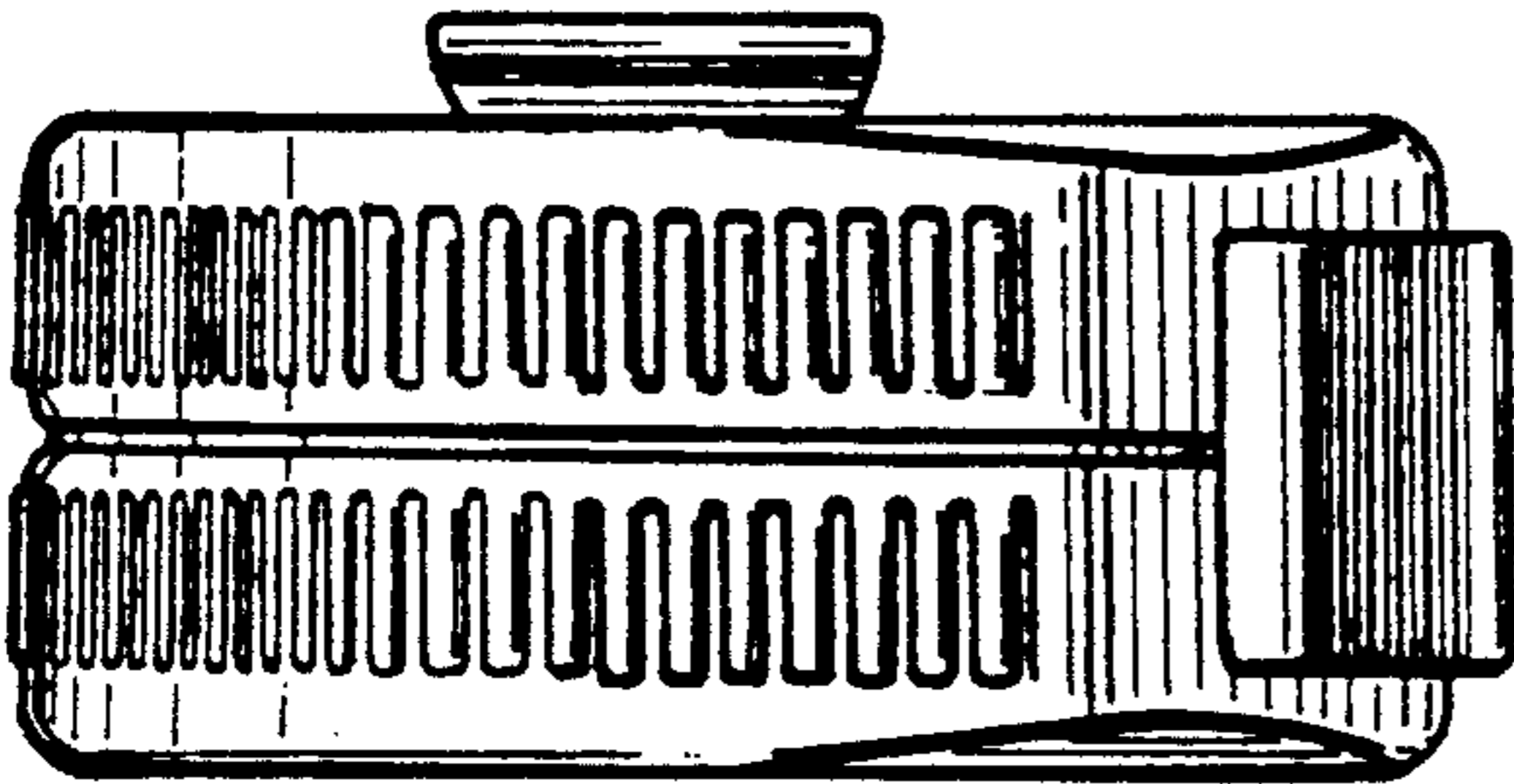


FIG. 4

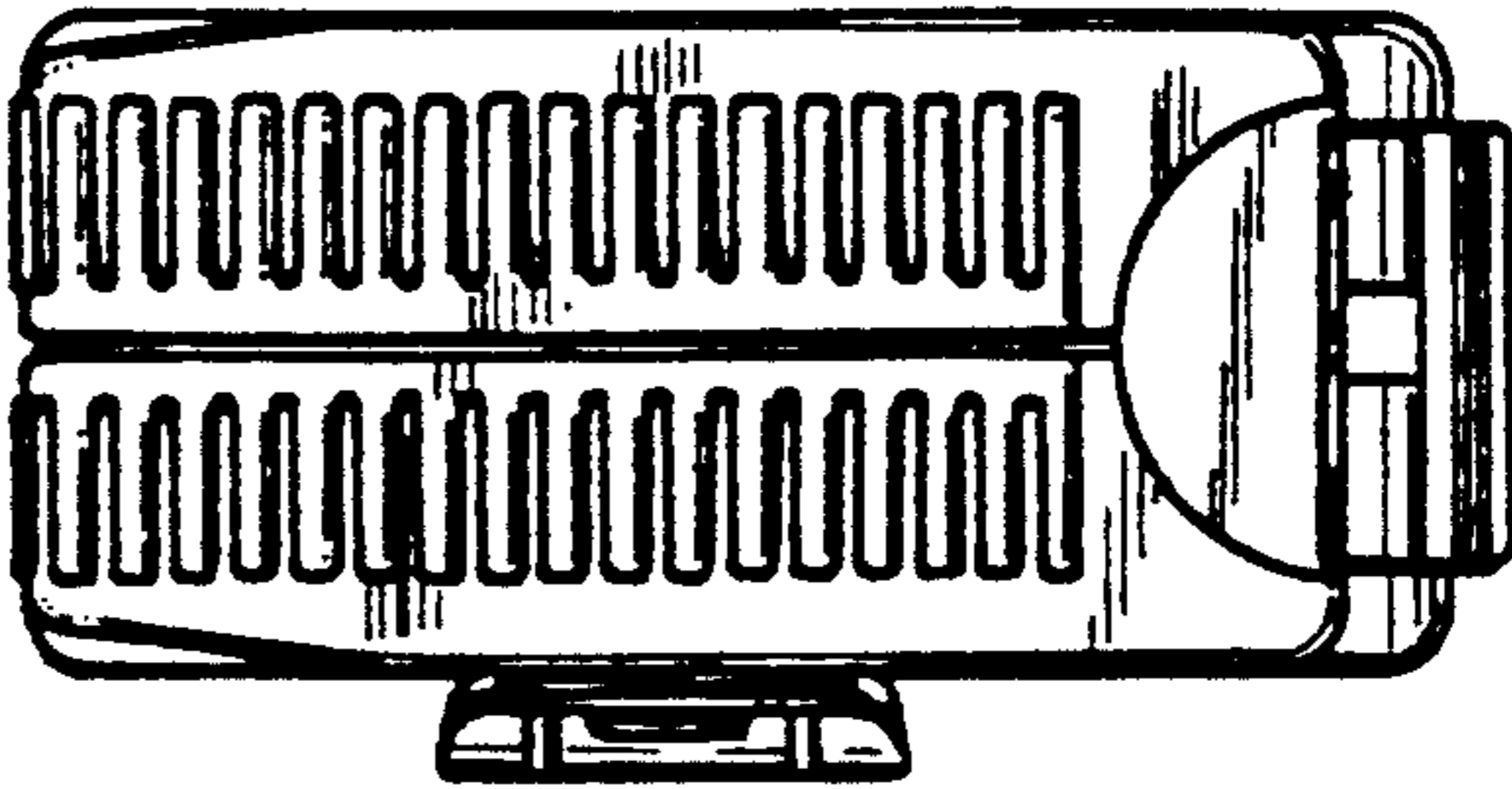


FIG. 3

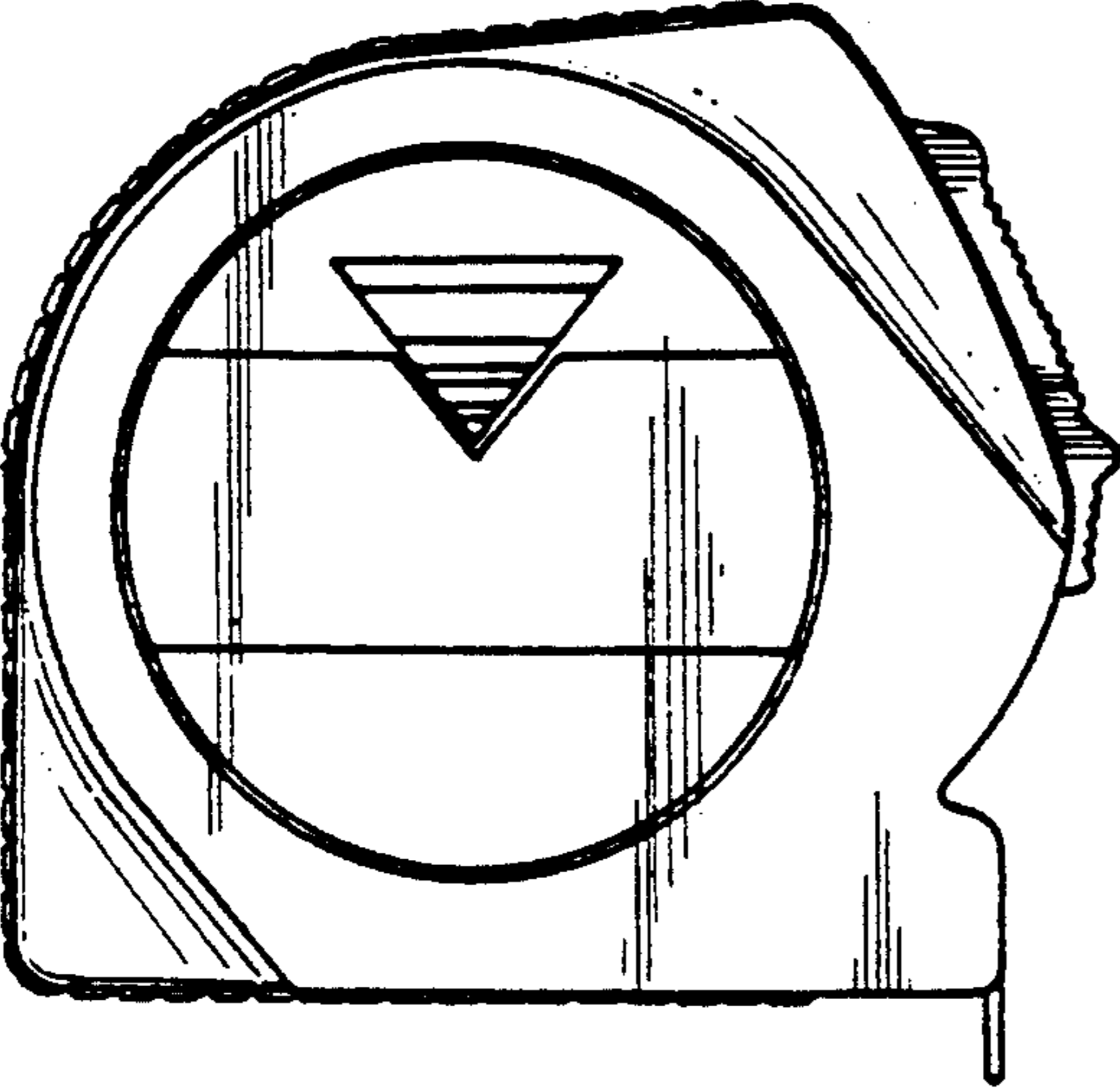


FIG. 5

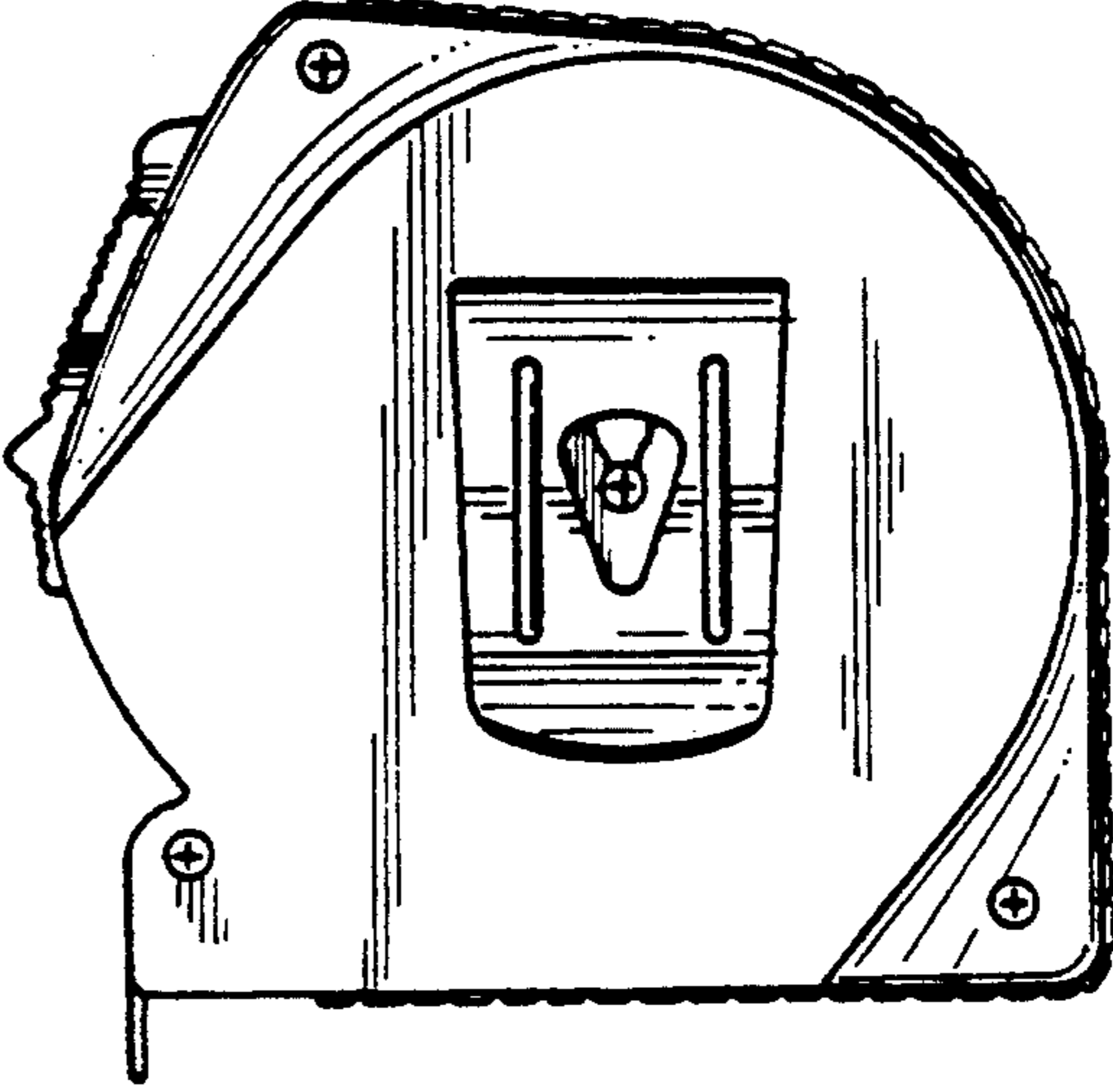


FIG. 6

