



US00D342686S

United States Patent [19] Rios

[11] Patent Number: Des. 342,686
[45] Date of Patent: ** Dec. 28, 1993

[54] MEASURING TAPE WITH ATTACHABLE CHALK LINE

[76] Inventor: David J. Rios, 6512 Cedar Blvd., Newark, Calif. 94560

[**] Term: 14 Years

[21] Appl. No.: 864,083

[22] Filed: Apr. 6, 1992

[52] U.S. Cl. D10/72; D10/61; D10/62

[58] Field of Search D10/61, 62, 65, 72; 33/354, 365, 369-373, 756-772

[56] References Cited

U.S. PATENT DOCUMENTS

D. 300,516	4/1989	Foster et al.	D10/72
D. 314,156	1/1991	Doyle	D10/61
1,069,593	8/1913	Weaver et al.	33/760 X
4,438,538	3/1984	Larsen	33/760 X
4,697,349	10/1987	Lee	D10/72 X
4,700,489	10/1987	Vasile	33/760 X

FOREIGN PATENT DOCUMENTS

266920	5/1990	Switzerland	33/760
--------	--------	-------------	-------	--------

Primary Examiner—Alan P. Douglas
Assistant Examiner—Antoine D. Davis
Attorney, Agent, or Firm—Linval B. Castle

[57] CLAIM

The ornamental design for measuring tape with attachable chalk line, as shown and described.

DESCRIPTION

FIG. 1 is a side elevational view of a measuring tape with attachable chalk line showing my new design; FIG. 2 is a front elevational view thereof; FIG. 3 is a top plan view thereof; FIG. 4 is a bottom plan view thereof; FIG. 5 is a second side elevational view thereof; FIG. 6 is a rear elevational view thereof; FIG. 7 is a front elevational view showing the chalk line and measuring tape separated for use; FIG. 8 is a side elevational view of an alternate embodiment of a measuring tape with attachable chalk line; FIG. 9 is a front elevational view thereof; FIG. 10 is a top plan view thereof; FIG. 11 is a bottom plan view thereof; FIG. 12 is a second side elevational view thereof; FIG. 13 is a rear elevational view thereof; and, FIG. 14 is a side elevational view showing the chalk line and measuring tape separated for use.

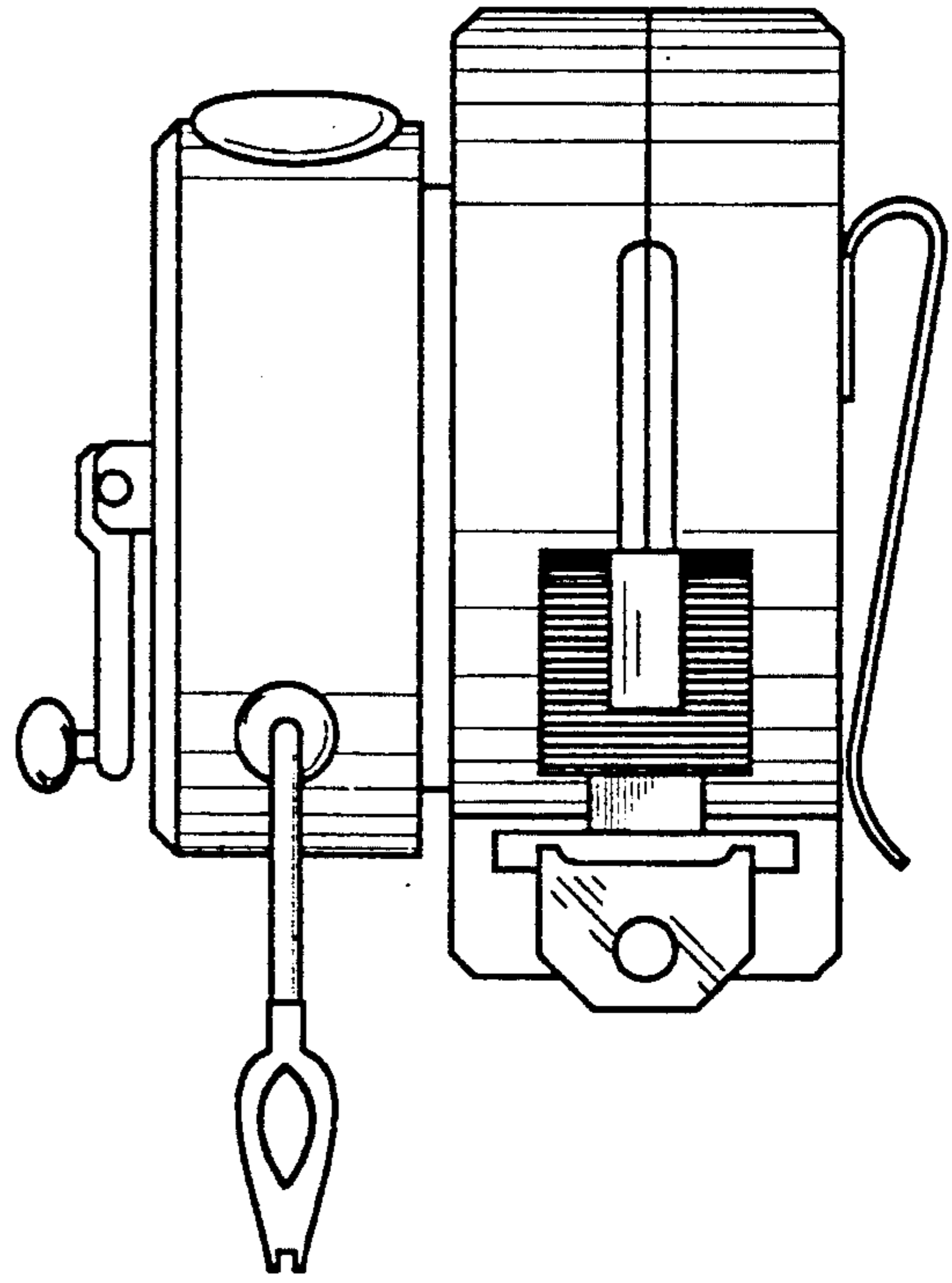
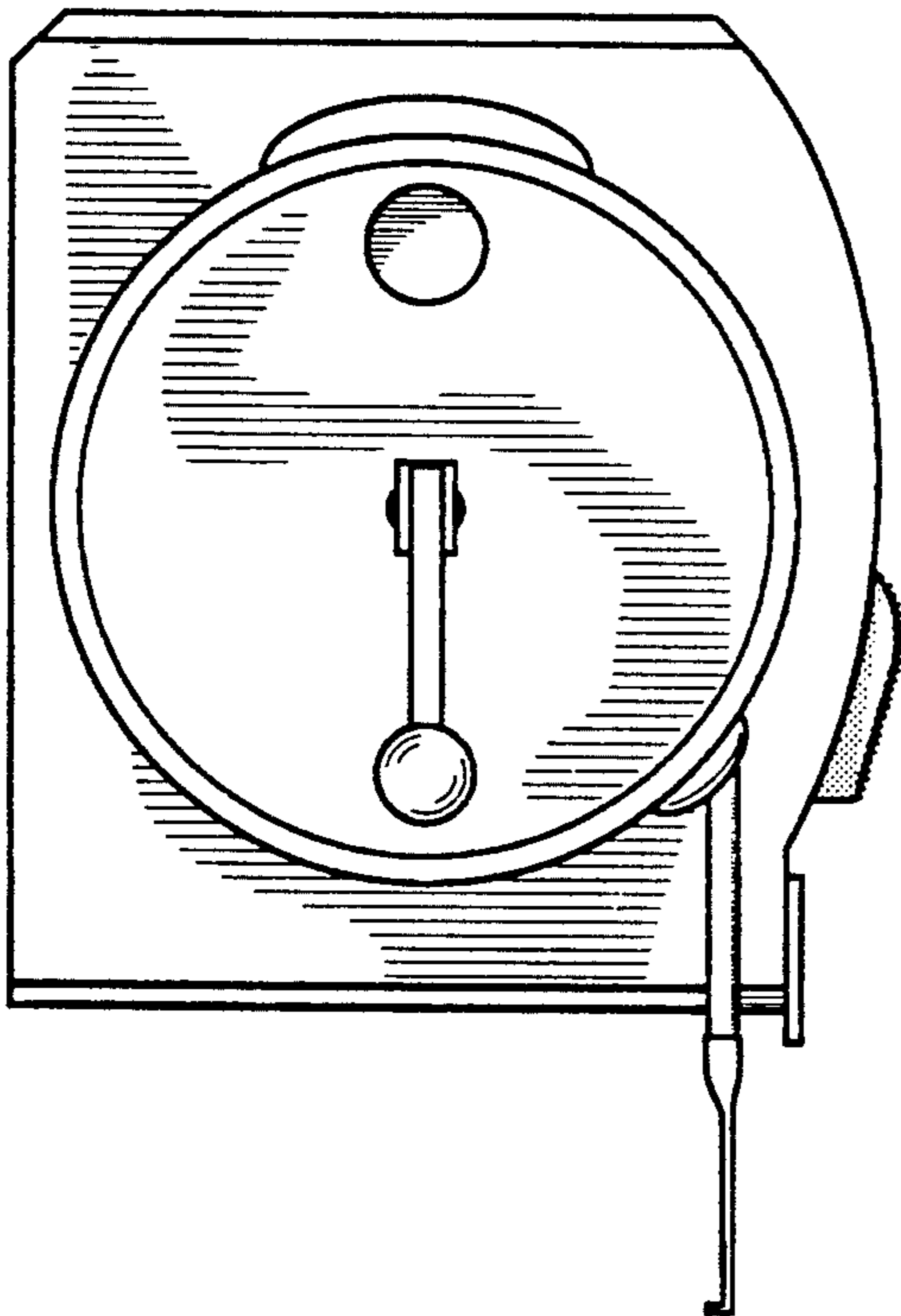


Figure 3

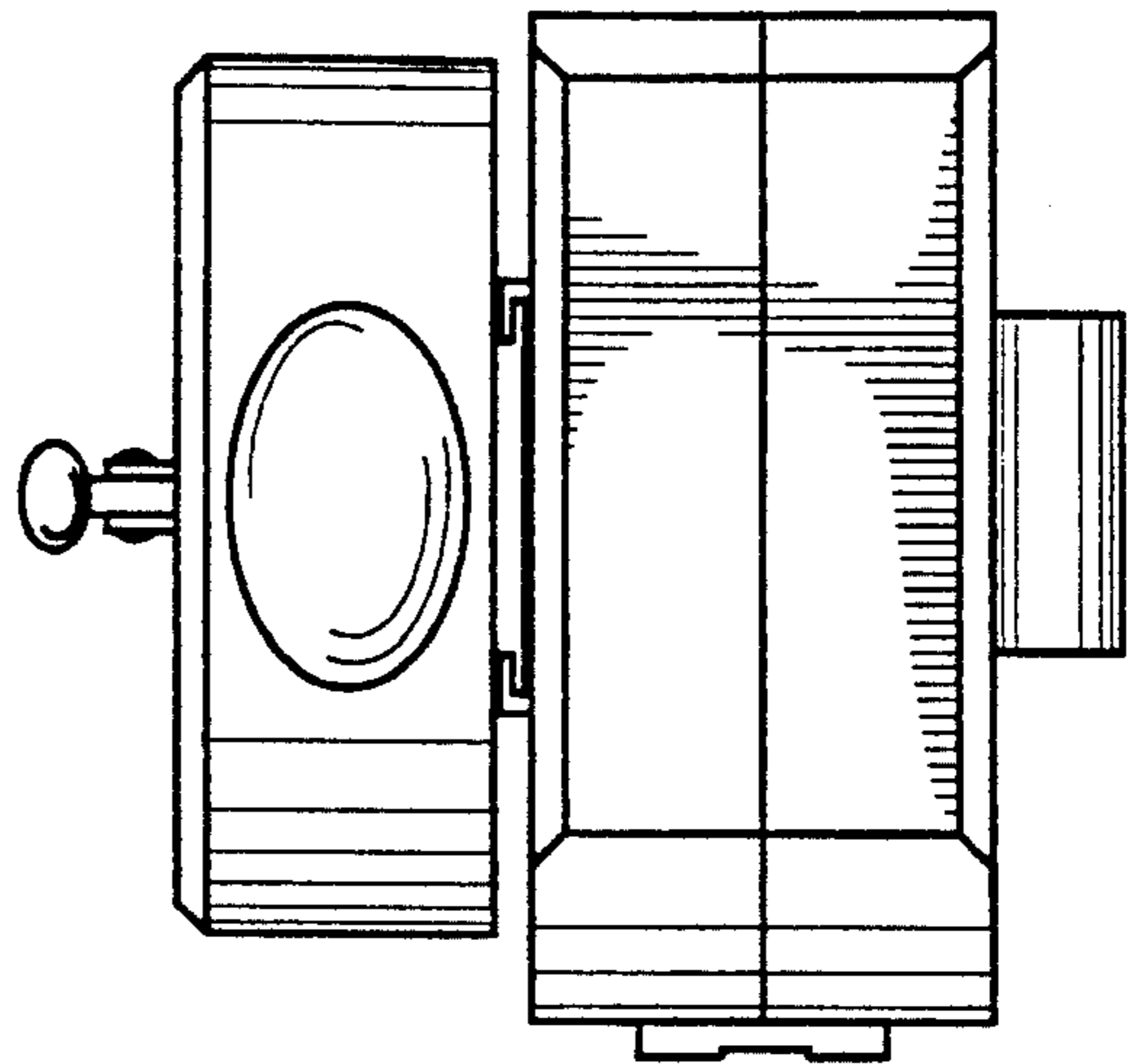


Figure 1

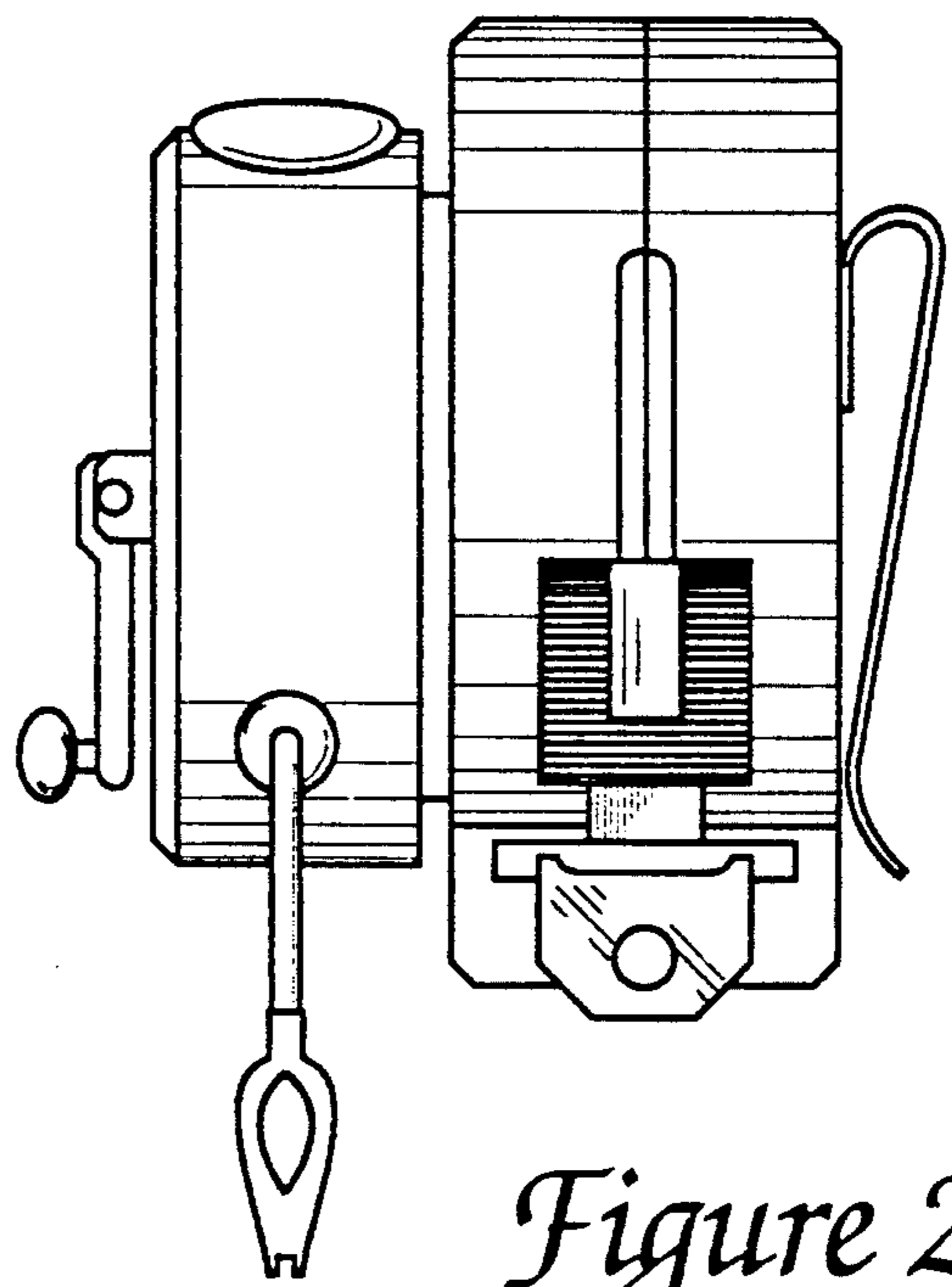
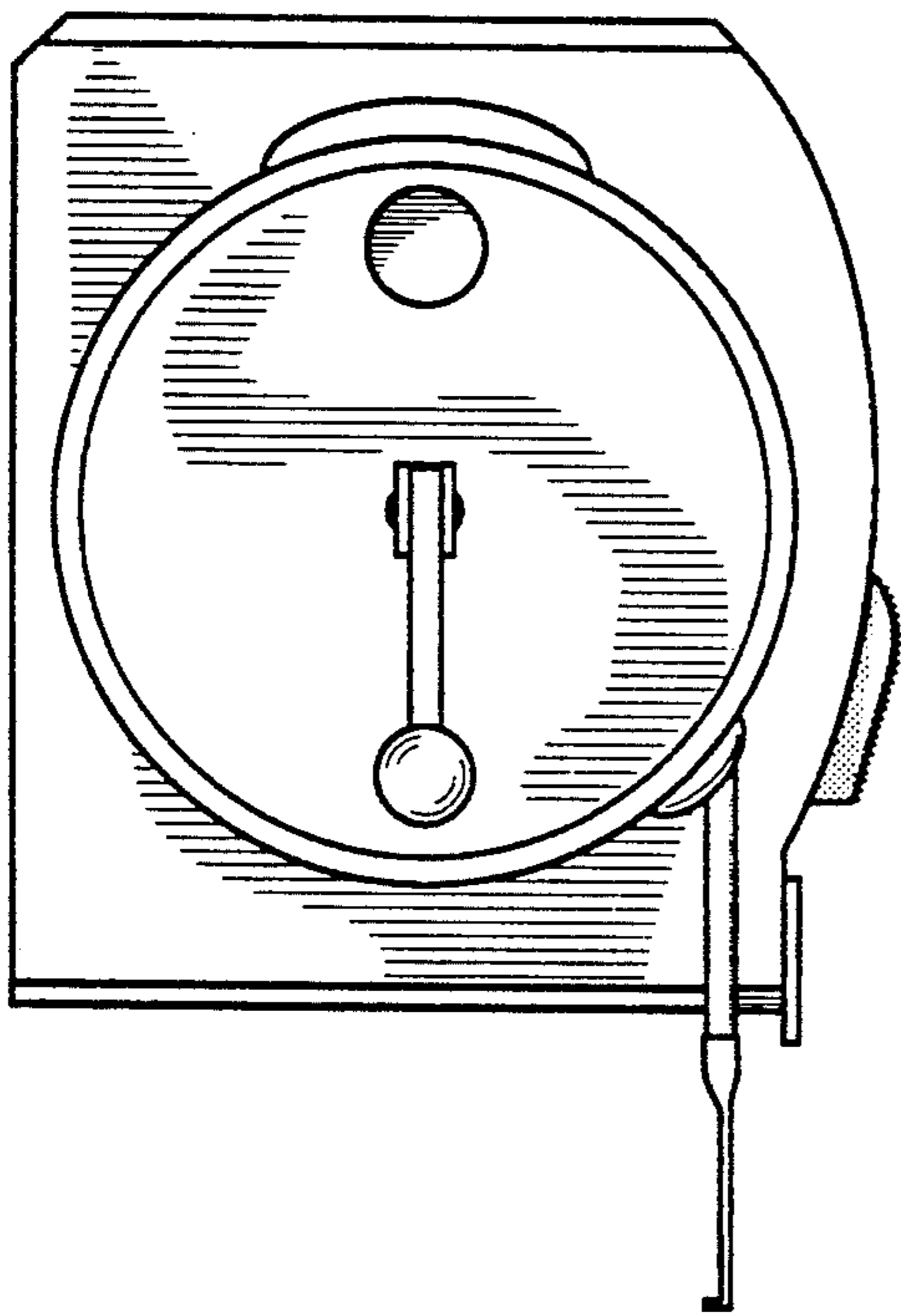


Figure 2

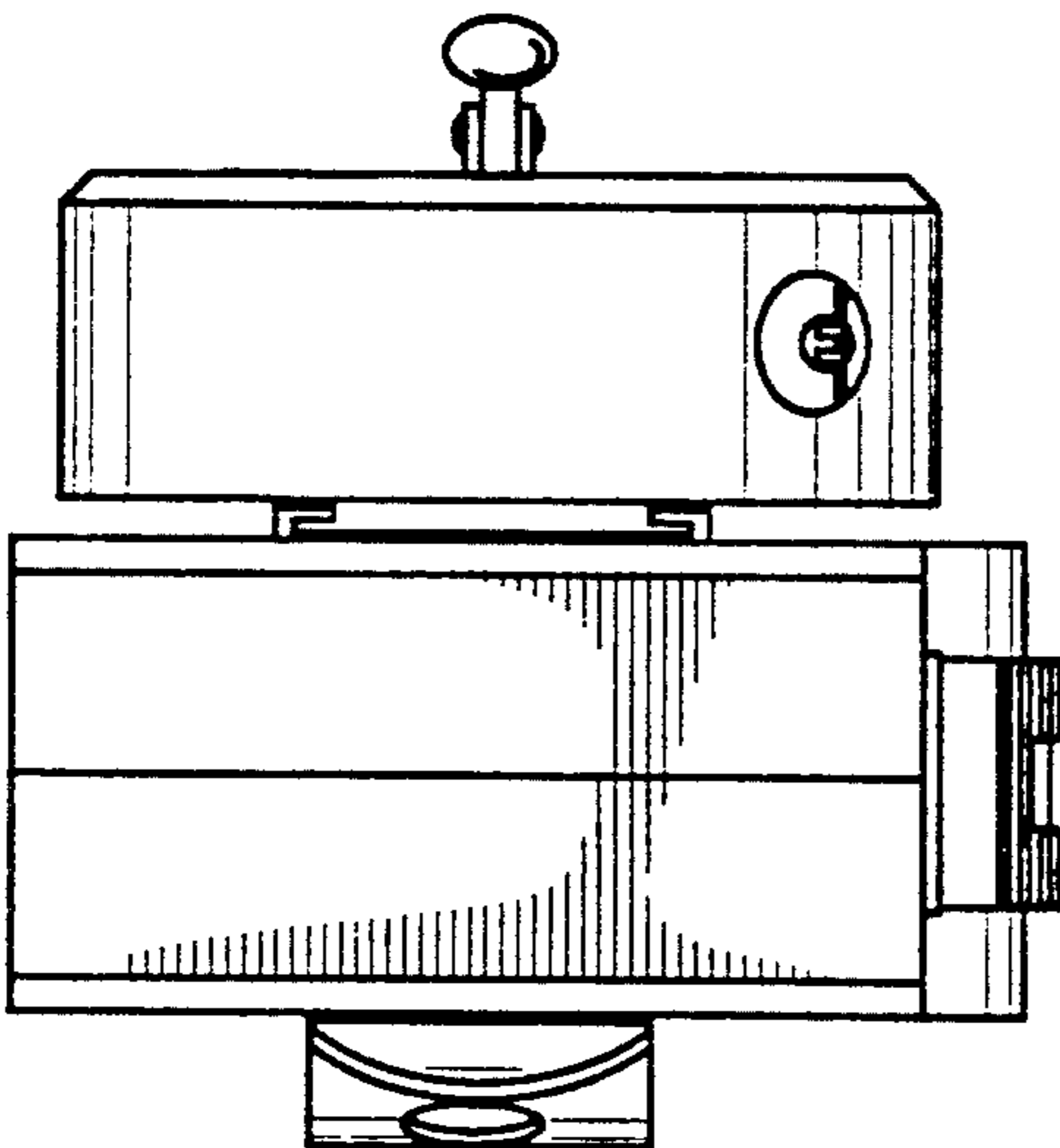


Figure 4

Figure 5

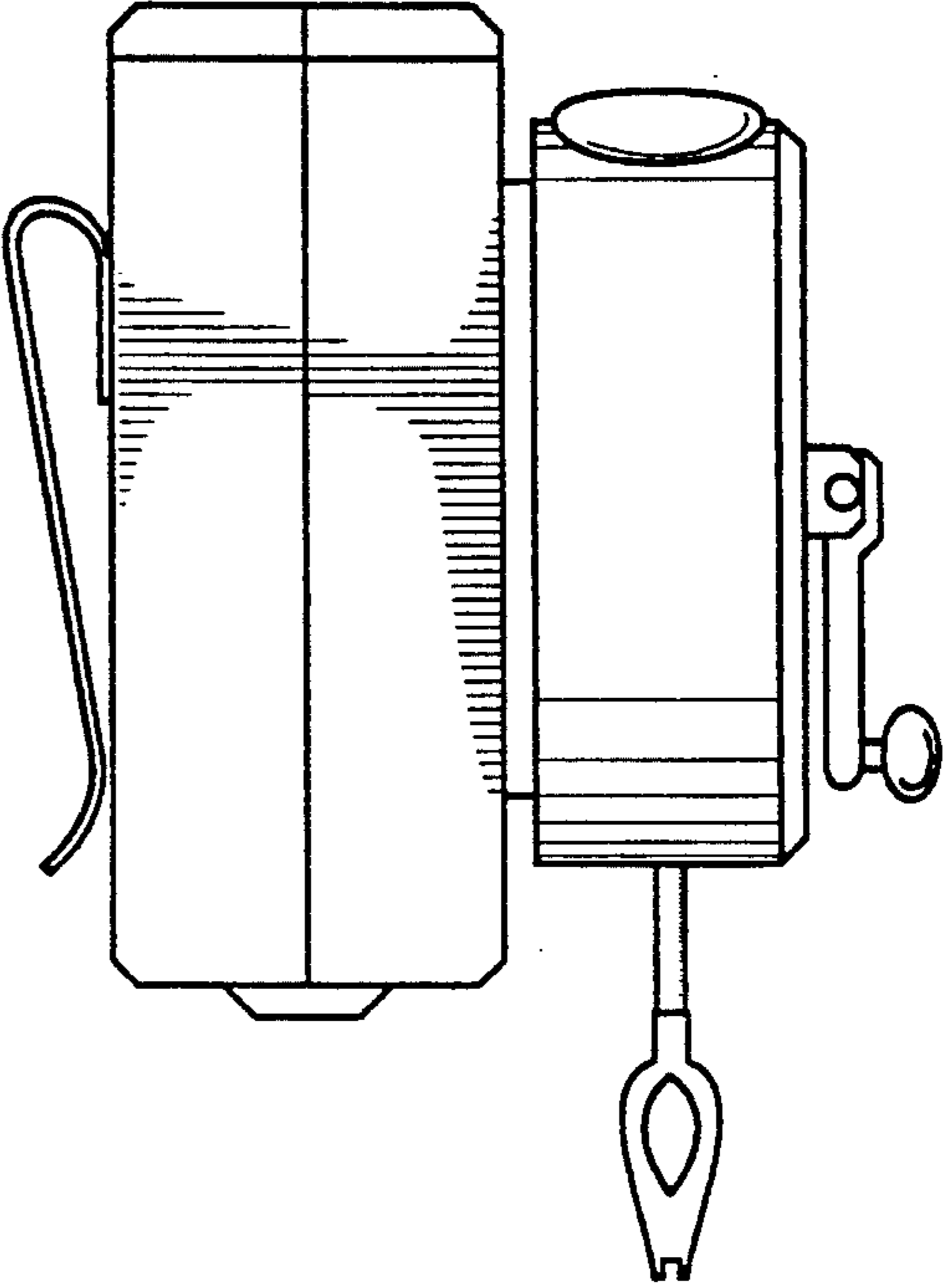
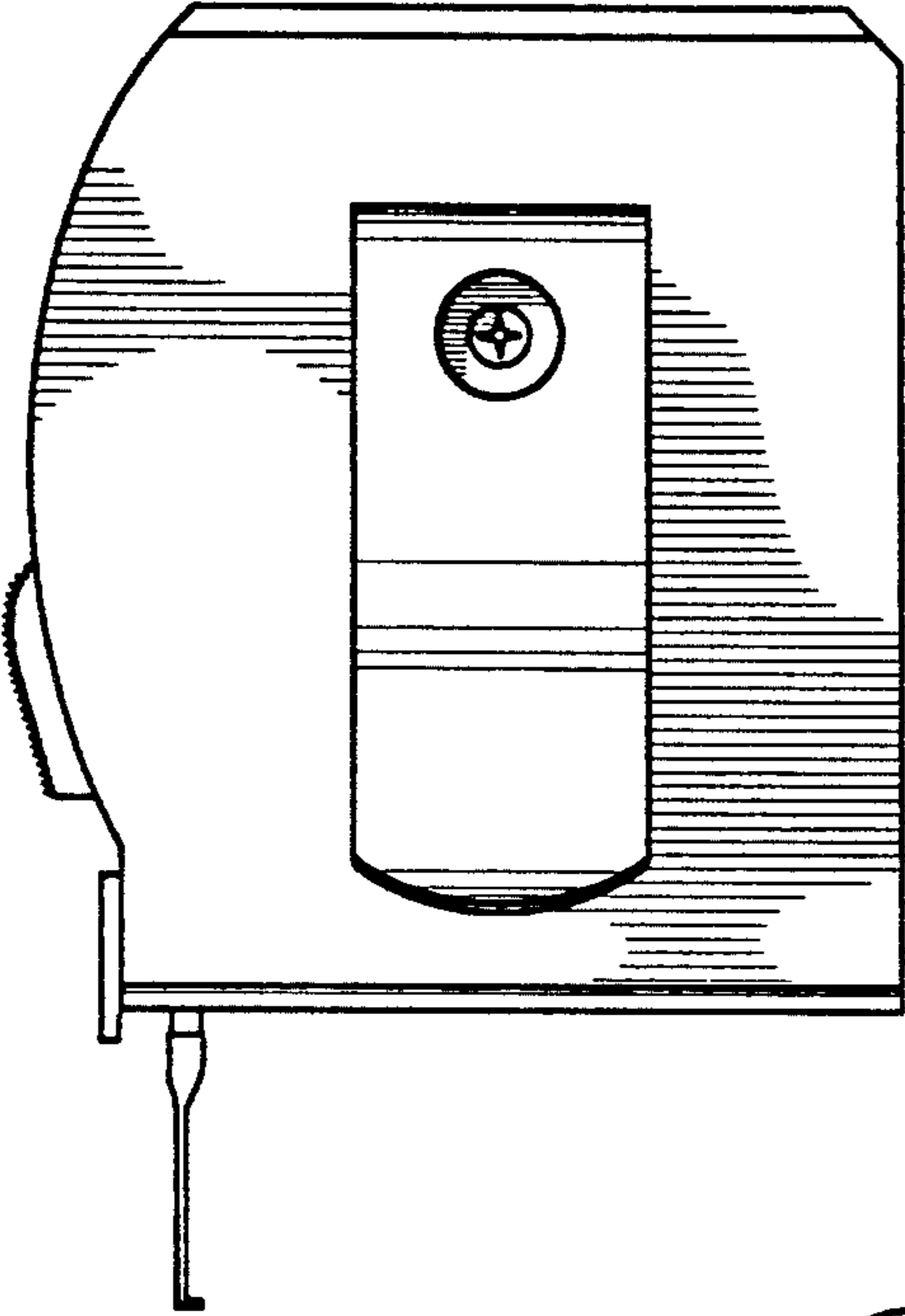
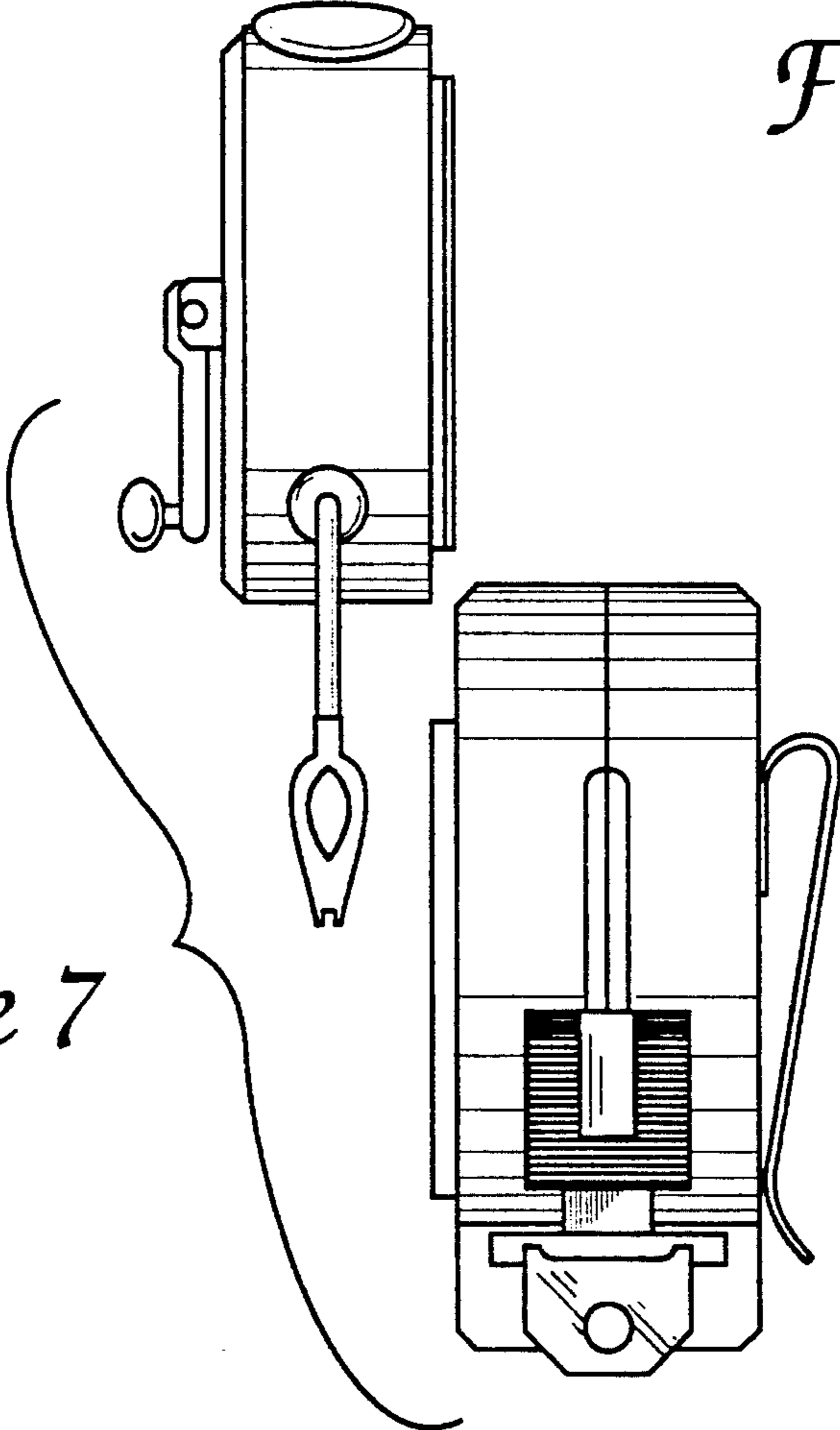


Figure 6

Figure 7



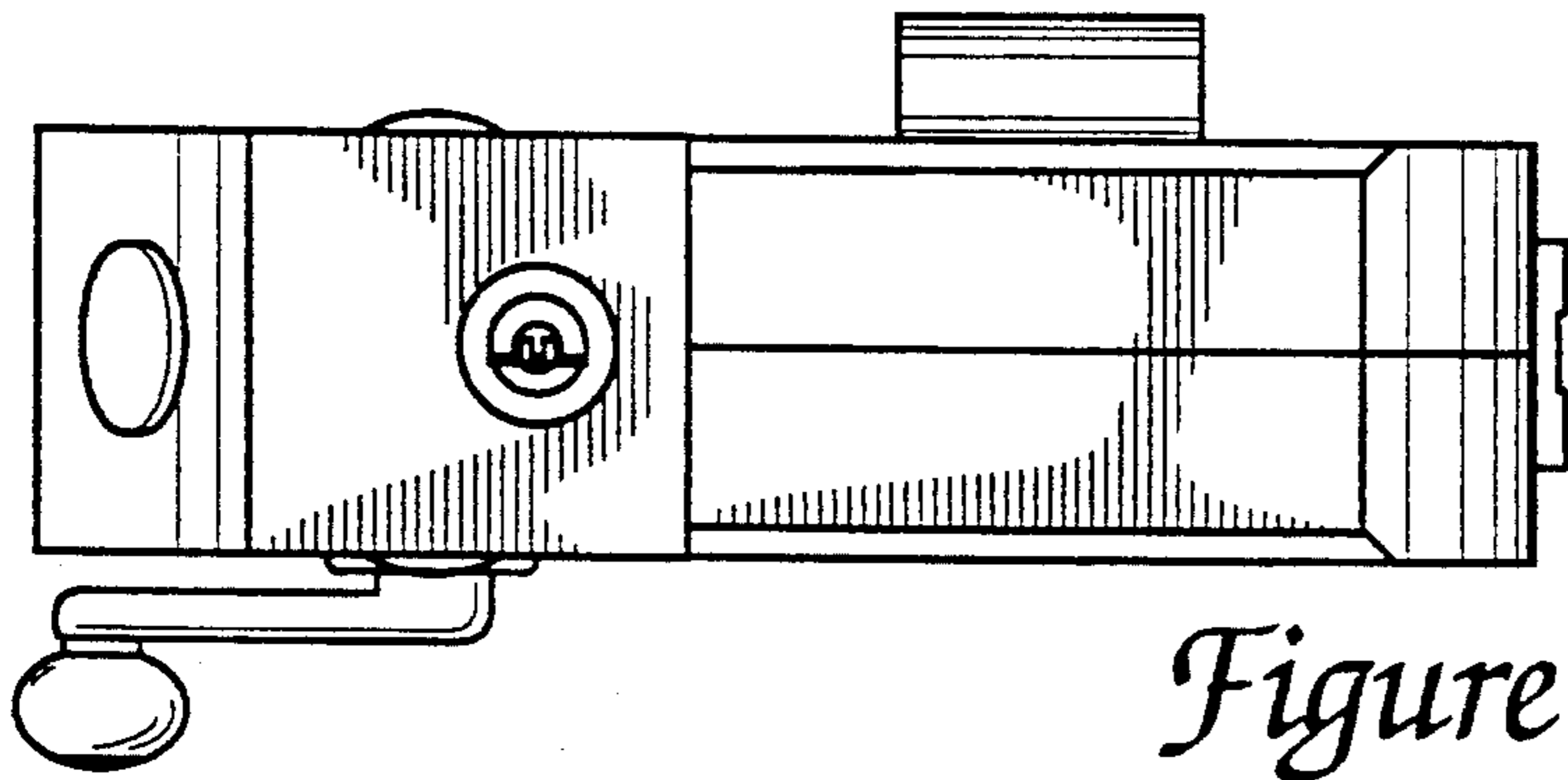


Figure 10

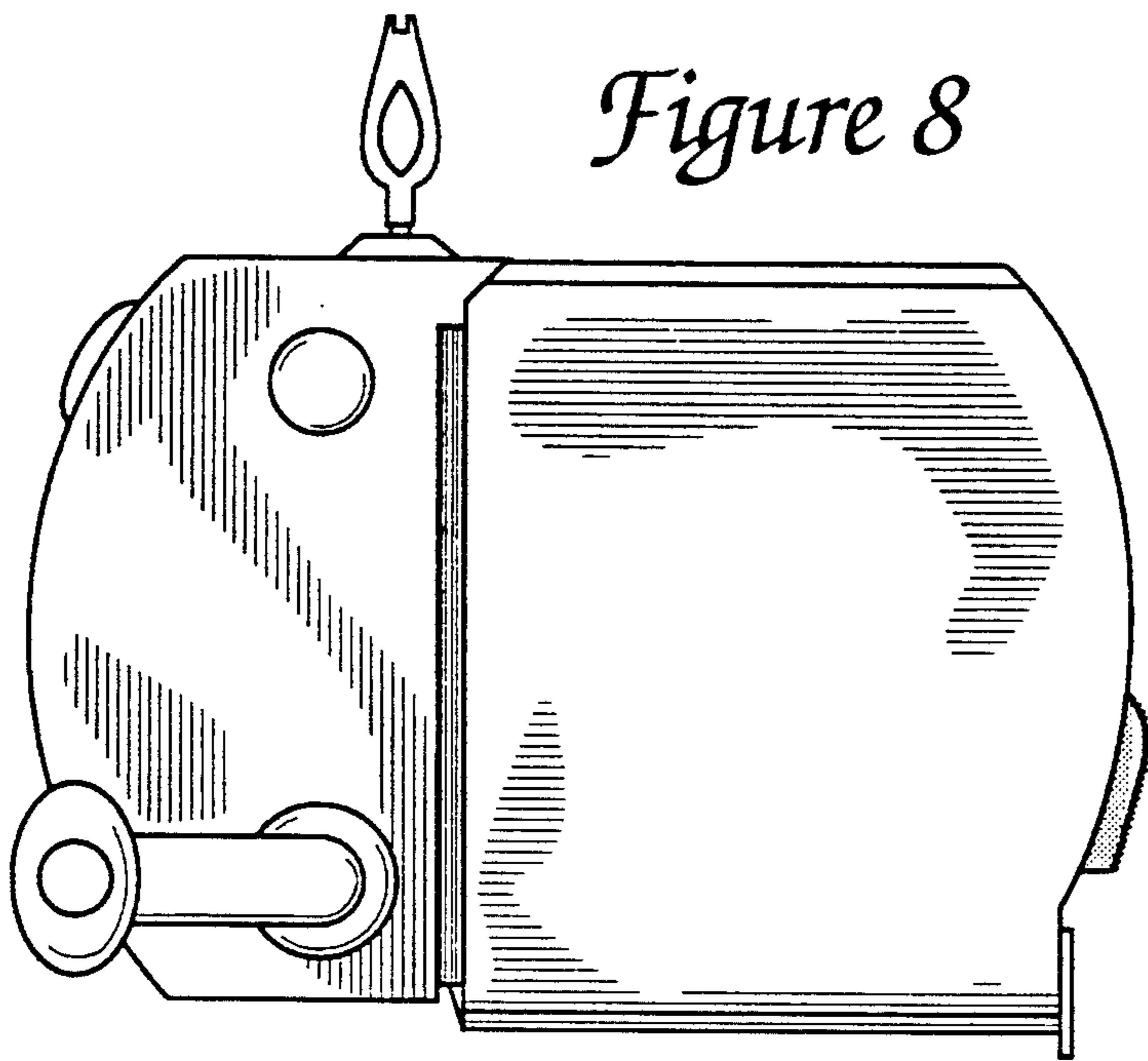


Figure 8

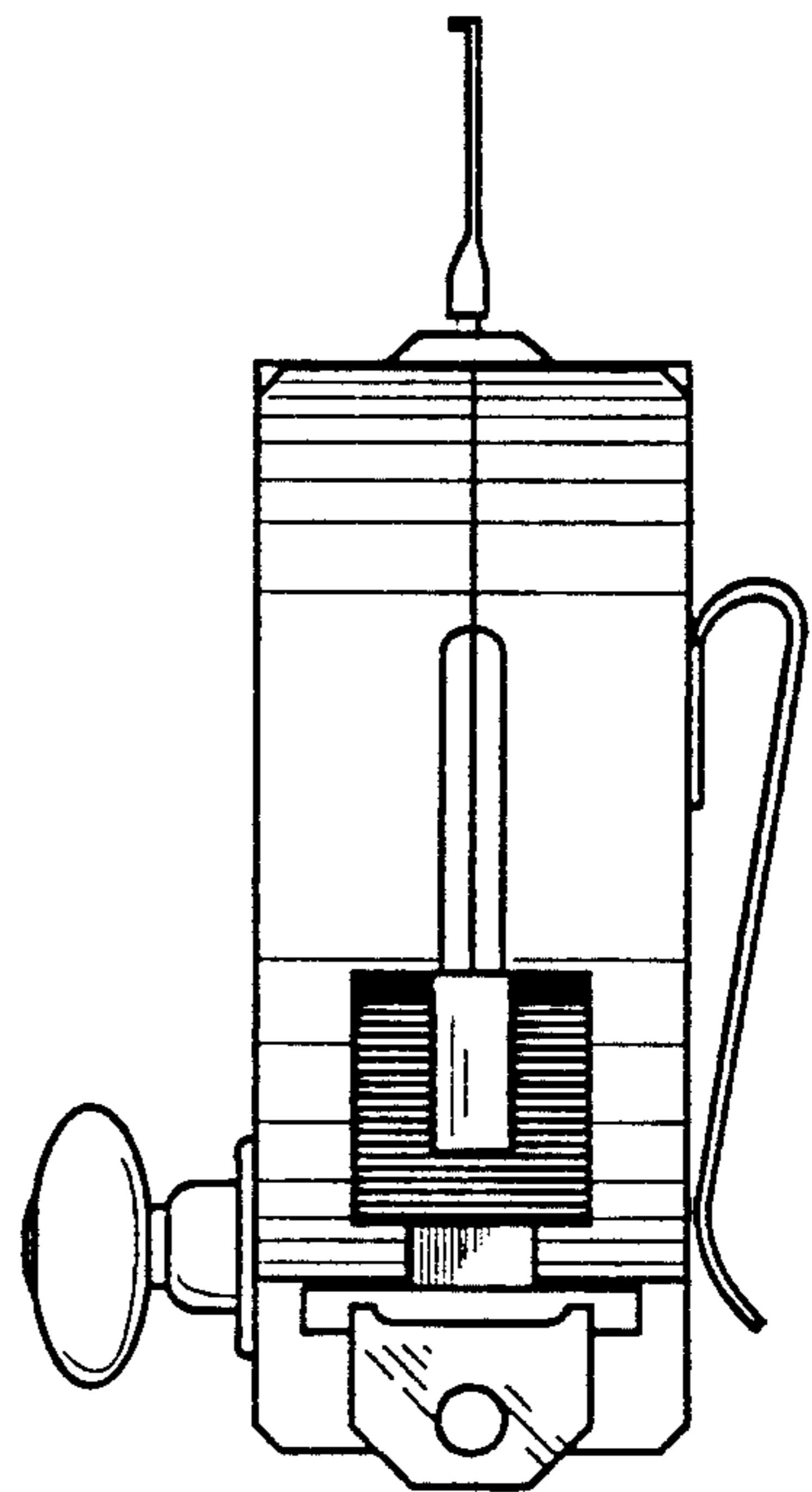


Figure 9

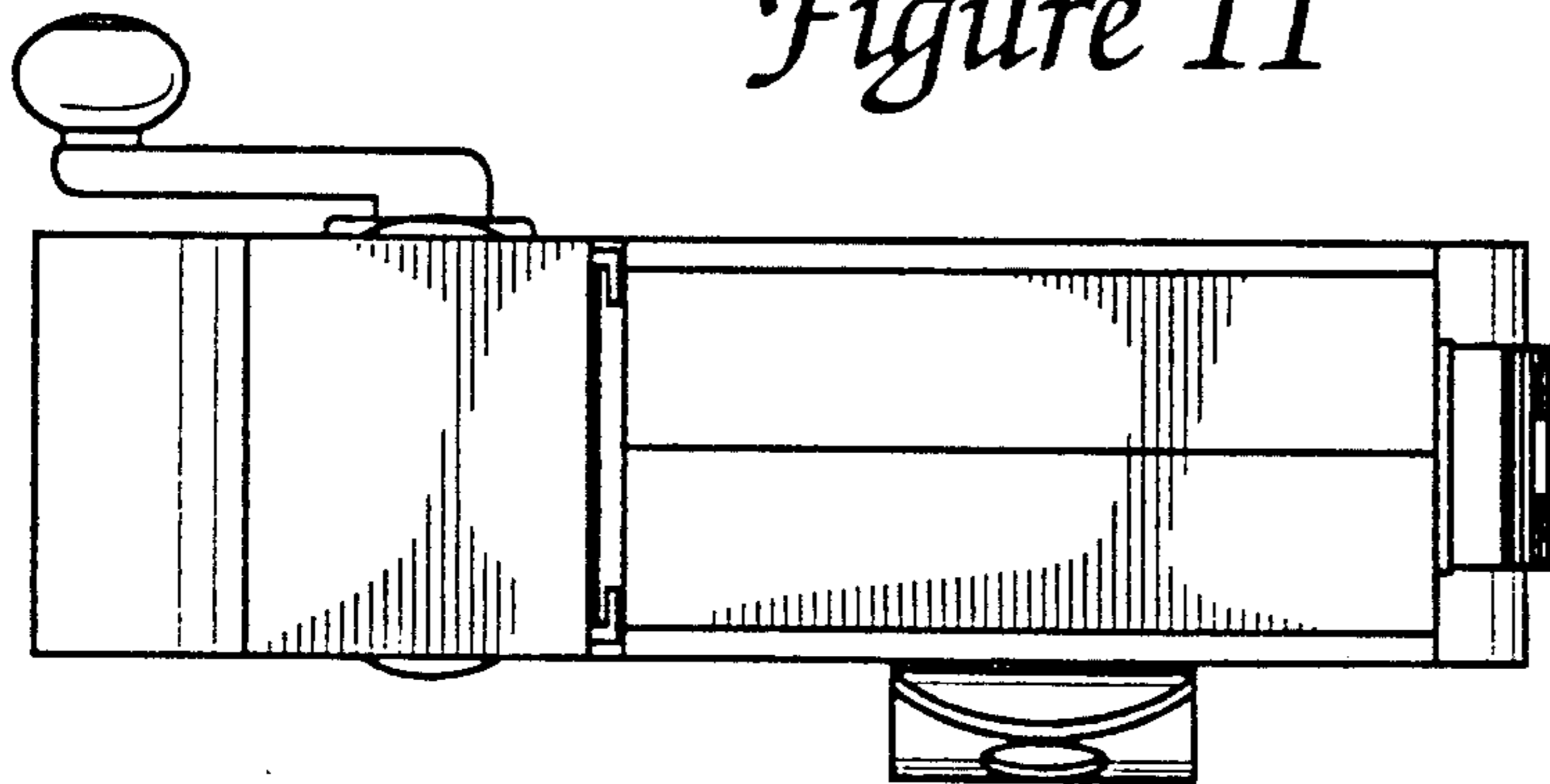


Figure 11

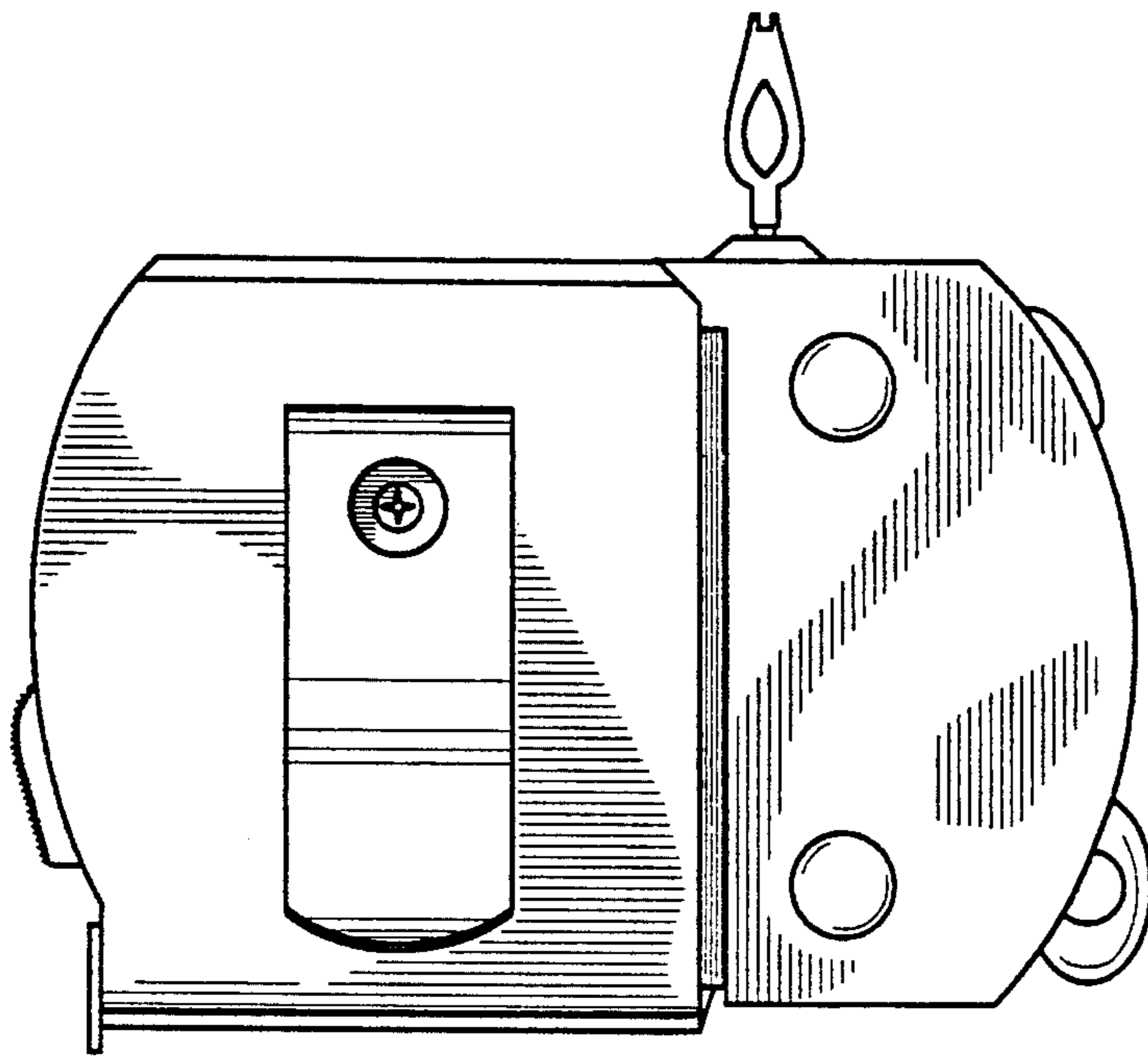


Figure 12

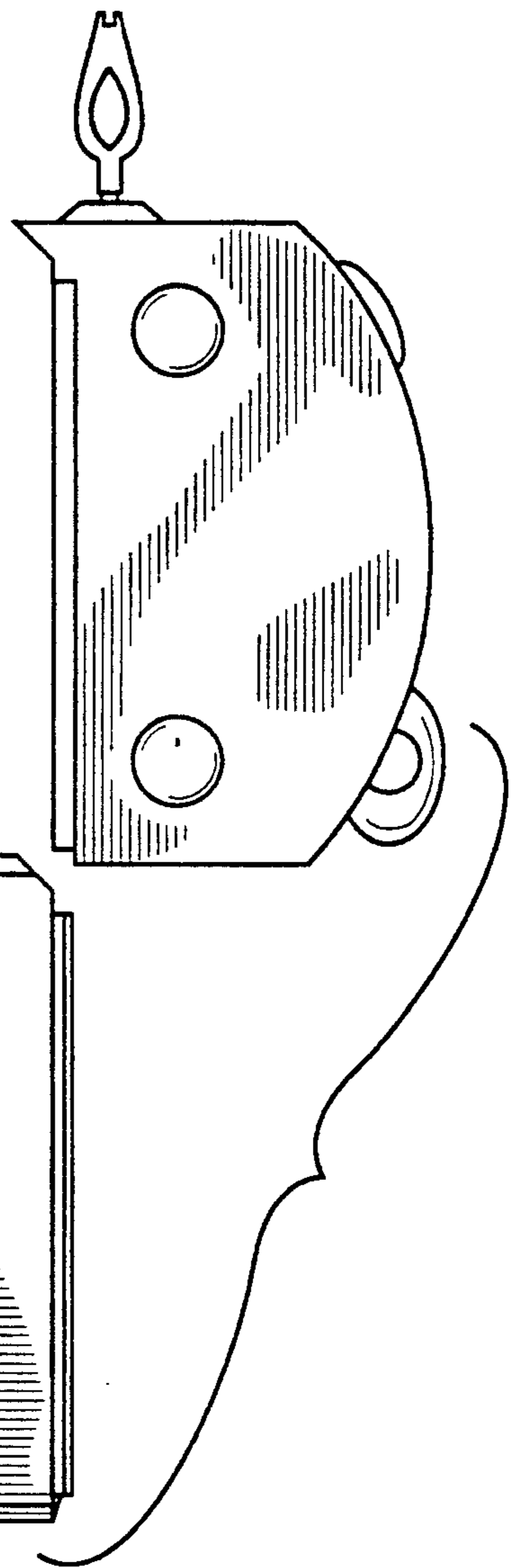


Figure 14

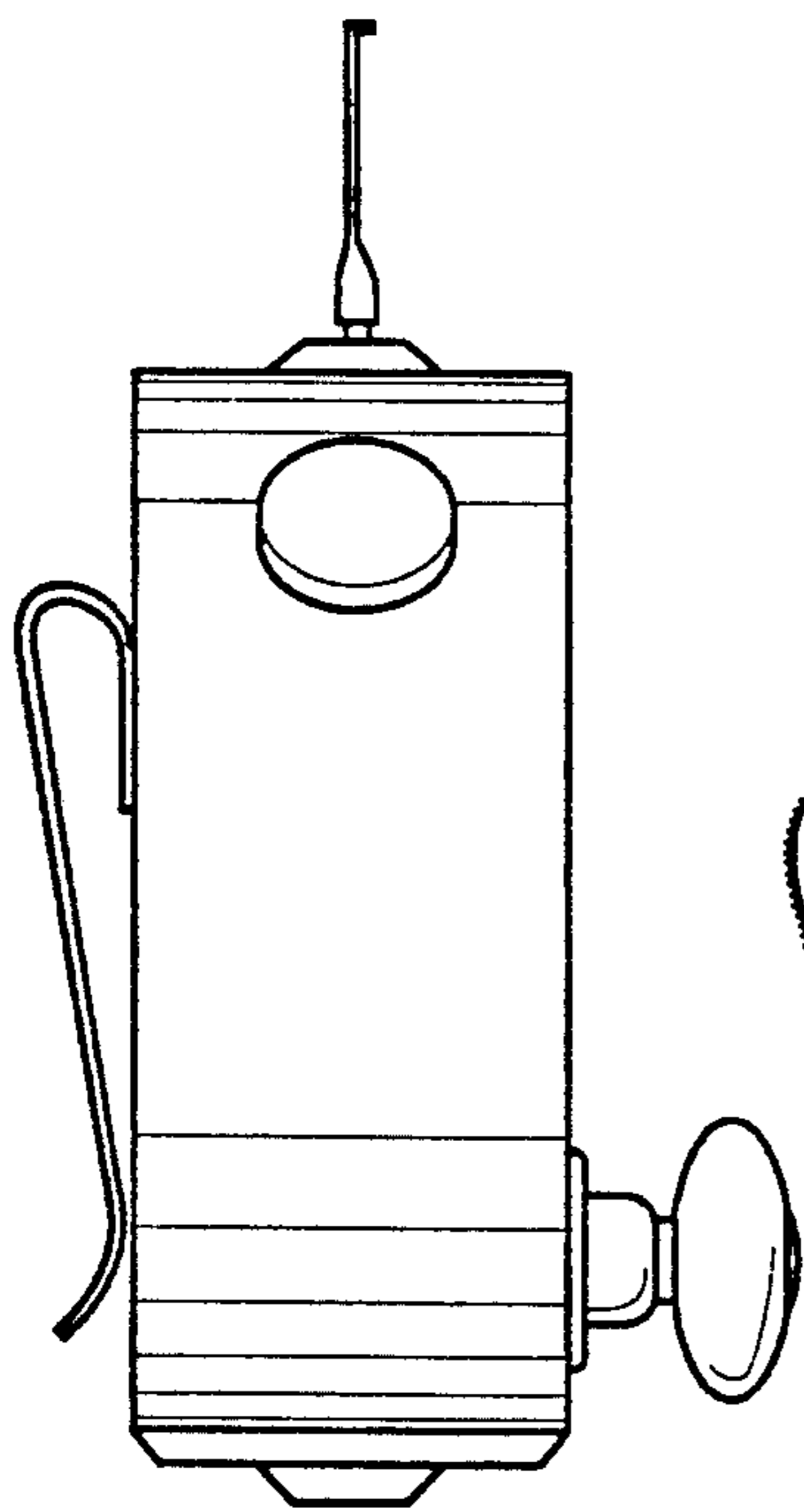


Figure 13