



US00D342675S

United States Patent [19] Cazaudehore

[11] Patent Number: Des. 342,675
[45] Date of Patent: ** Dec. 28, 1993

[54] BOTTLE WITH CAP

[75] Inventor: **Brigitte Cazaudehore**, Puteaux,
France

[73] Assignee: **Chesebrough-Pond's USA Co.**,
Division of **Conopco, Inc.**,
Greenwich, Conn.

[**] Term: **14 Years**

[21] Appl. No.: **844,401**

[22] Filed: **Feb. 27, 1992**

[30] Foreign Application Priority Data

Aug. 30, 1991 [FR] France 915332

[52] U.S. Cl. **D9/529; D9/561;**
D9/564; D9/571

[58] Field of Search **D9/529, 561, 564, 571,**
D9/546, 551, 520; 215/1

[56] References Cited

U.S. PATENT DOCUMENTS

D. 31,126 7/1899 Henius D9/546

D. 34,860 7/1901 Gounelle D9/546
D. 35,443 12/1901 Garrard D9/546
D 78,140 4/1929 Binks D9/546
D. 103,911 3/1937 Knox D9/545
D. 253,032 10/1979 White D9/561 X

OTHER PUBLICATIONS

Drug & Cosmetic Industry, Jun. 1981, p. 64, "Brut 33"
aerosol container.

Primary Examiner—Bernard Ansher
Assistant Examiner—Lucy Lieberman
Attorney, Agent, or Firm—Milton L. Honig

[57] **CLAIM**

The ornamental design for a bottle with cap, as shown
and described.

DESCRIPTION

FIG. 1 is a front perspective view of the bottle with cap
from above and one side;
FIG. 2 is a side view of the opposite side of the bottle
with cap;
FIG. 3 is a rear view of the bottle with cap; and,
FIG. 4 is an underplan view of the bottle with cap.

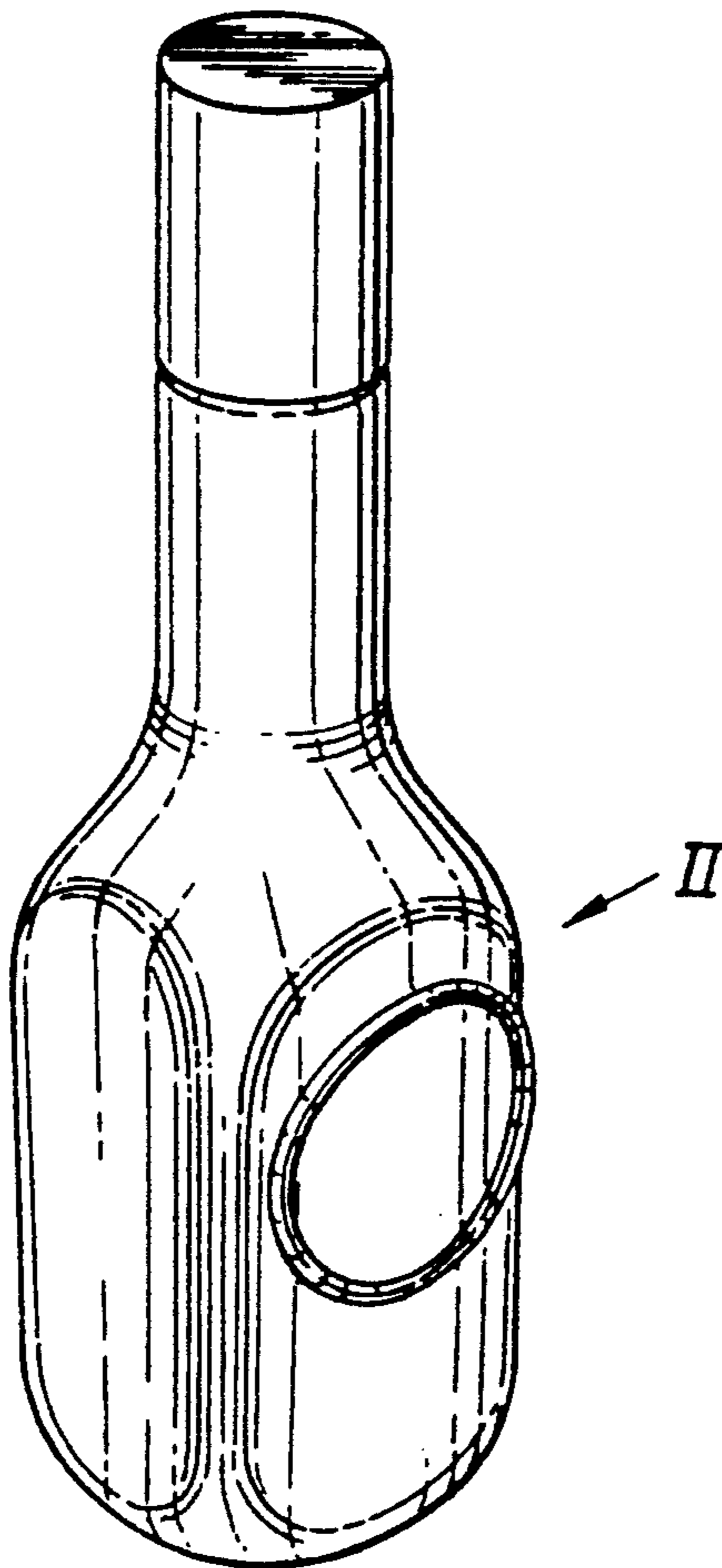


Fig.1.

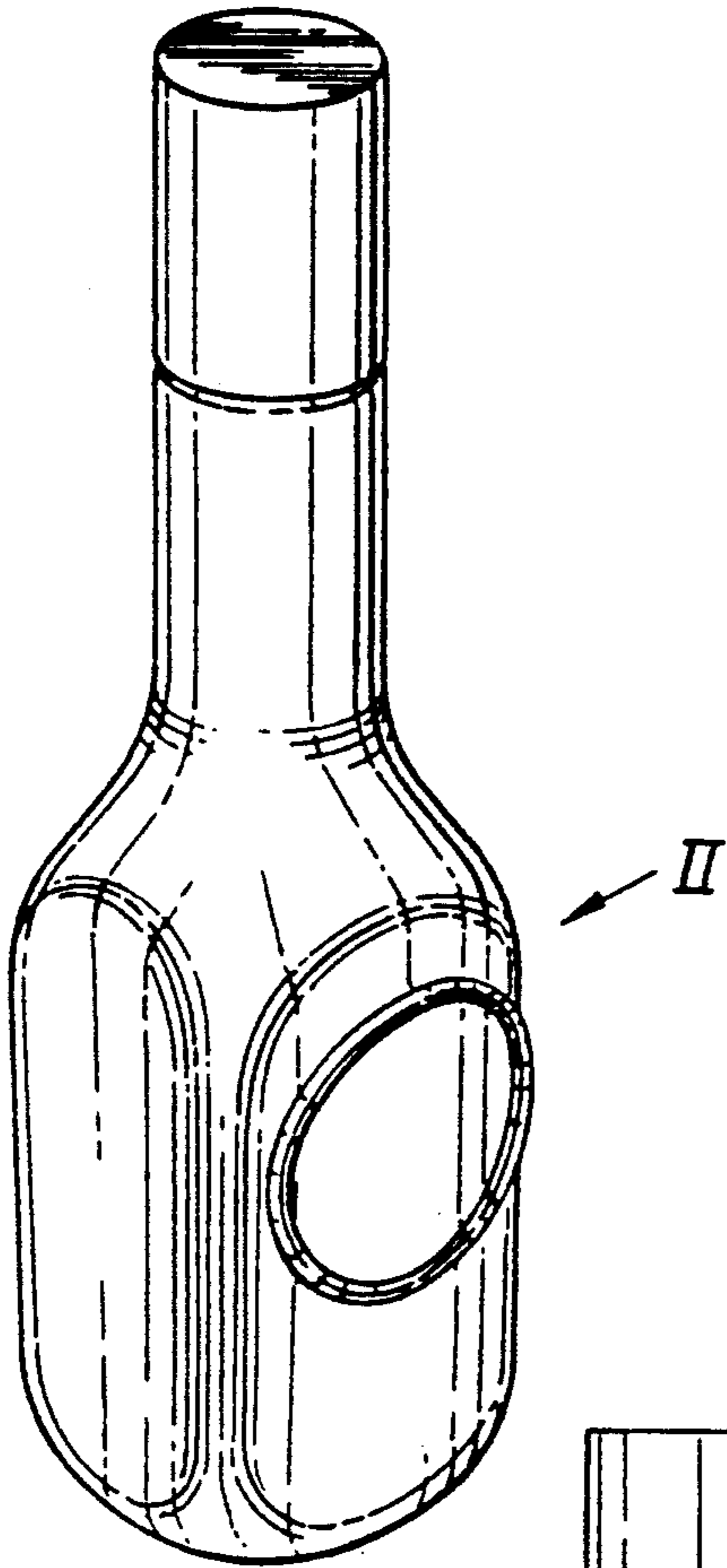


Fig.2.

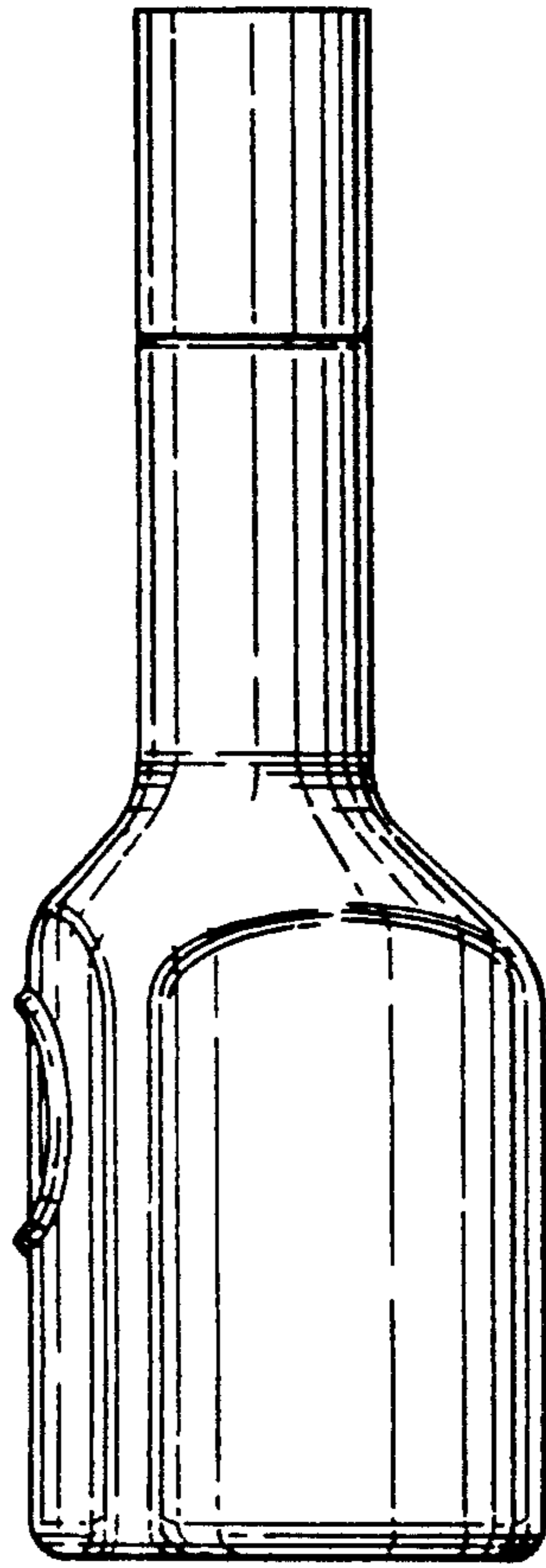


Fig.3.

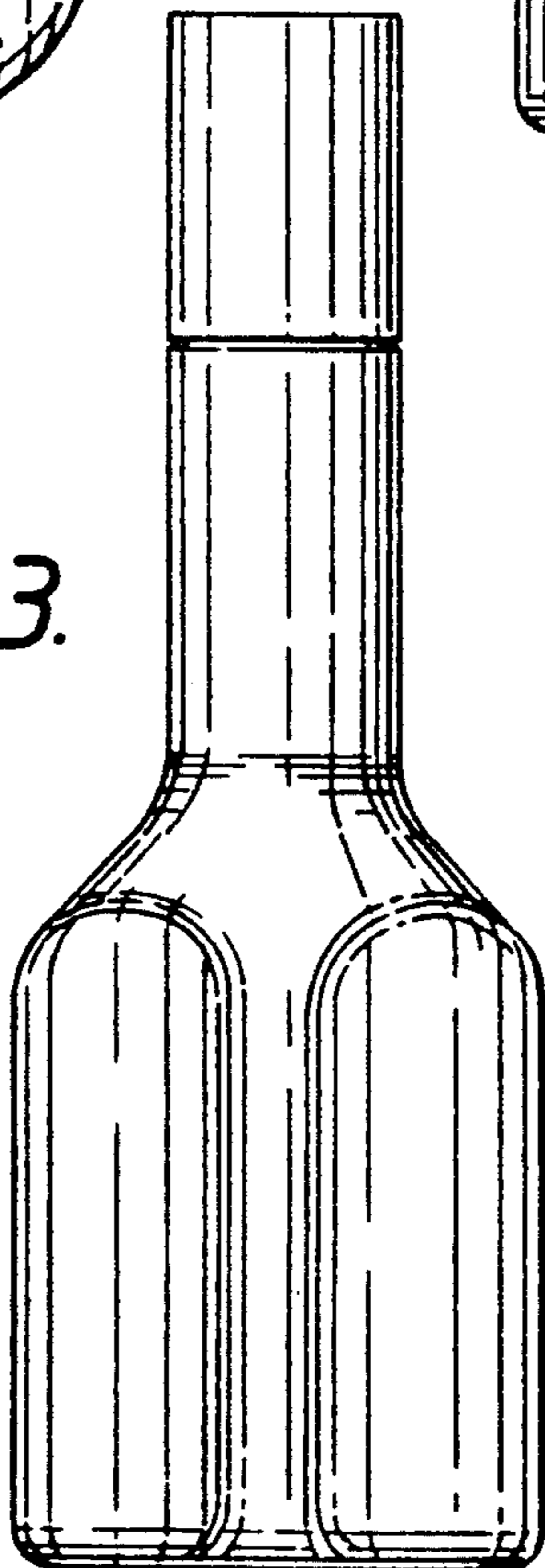


Fig.4.

