



US00D342672S

United States Patent [19]

[11] Patent Number: **Des. 342,672**

Burton et al.

[45] Date of Patent: **** Dec. 28, 1993**

[54] **CONDOM COVER**

[76] Inventors: **Perry W. Burton**, 1784 Wrens Hwy., Thomson, Ga. 30824; **Roger G. Smith**, 1812 Pine Crest Dr., Griffin, Ga. 30223

[**] Term: **14 Years**

[21] Appl. No.: **688,875**

[22] Filed: **Apr. 22, 1991**

[52] U.S. Cl. **D9/415**

[58] Field of Search **D9/415, 418, 346, 337, D9/432, 433; 206/485, 486, 45.24, 45.25, 45.26, 45.2, 45.21; 229/124, 125.08, 126, 76, 87.18, 92.7**

[56] **References Cited**

U.S. PATENT DOCUMENTS

- D. 286,378 10/1986 Banfield D9/346
- D. 315,297 3/1991 Campbell D9/341

- D. 328,026 7/1992 Stenstrom D9/341
- 2,377,414 6/1945 Gold 229/76
- 4,332,322 6/1982 Jaeschke et al. 206/485 X
- 4,703,856 11/1987 Chaussadas 206/485 X
- 4,765,462 8/1988 Rose, Jr. 206/45.24 X

Primary Examiner—Prabhakar G. Deshmukh
Attorney, Agent, or Firm—Leon Gilden

[57] **CLAIM**

The ornamental design for a condom cover, as shown and described.

DESCRIPTION

FIG. 1 is a front elevational view of the condom cover showing our new design;
 FIG. 2 is a rear elevational view thereof;
 FIG. 3 is a left side elevational view thereof;
 FIG. 4 is a right side elevational view thereof;
 FIG. 5 is a top plan view thereof;
 FIG. 6 is a bottom plan view thereof; and,
 FIG. 7 is a perspective view thereof.

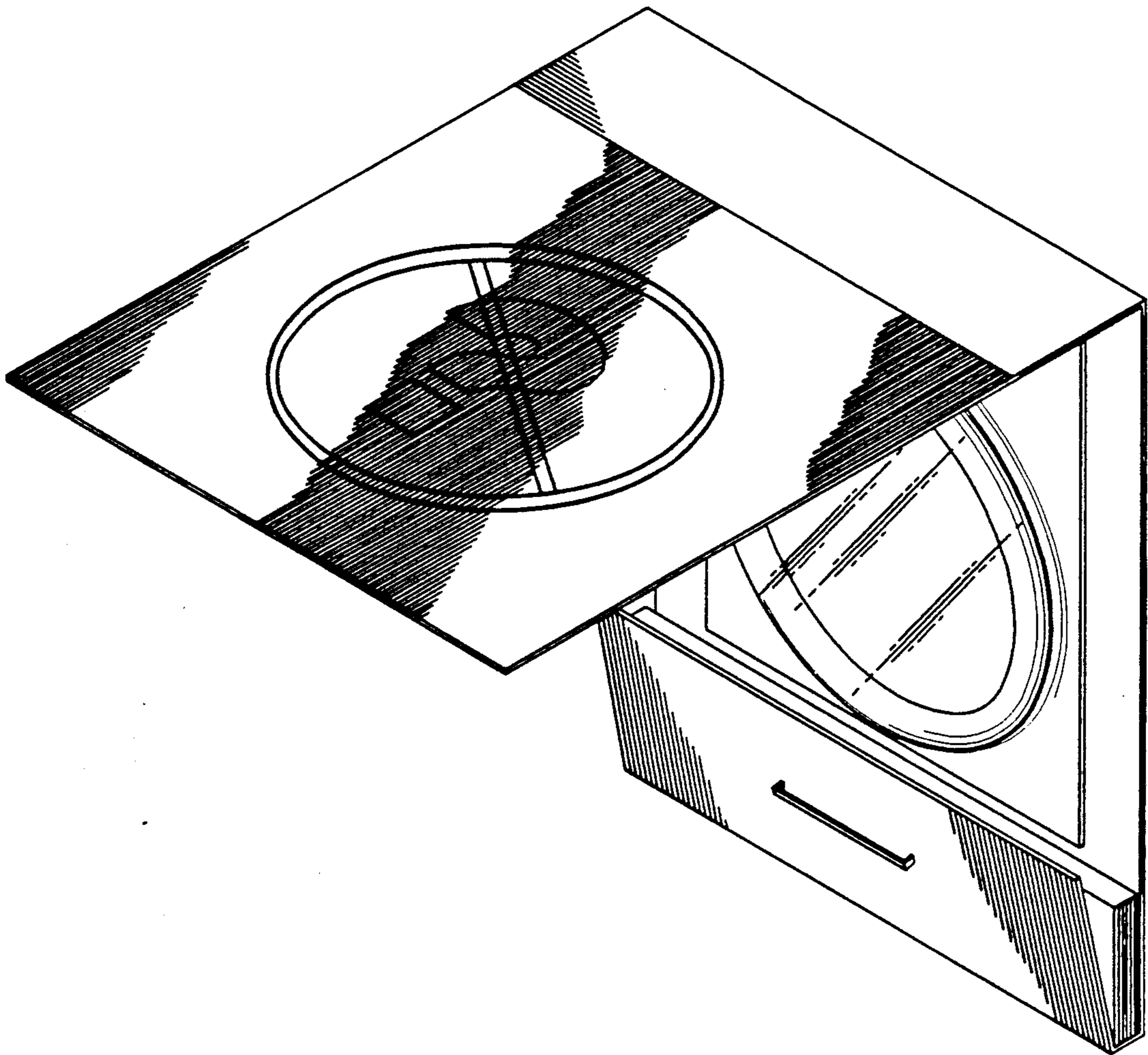


FIG. 1

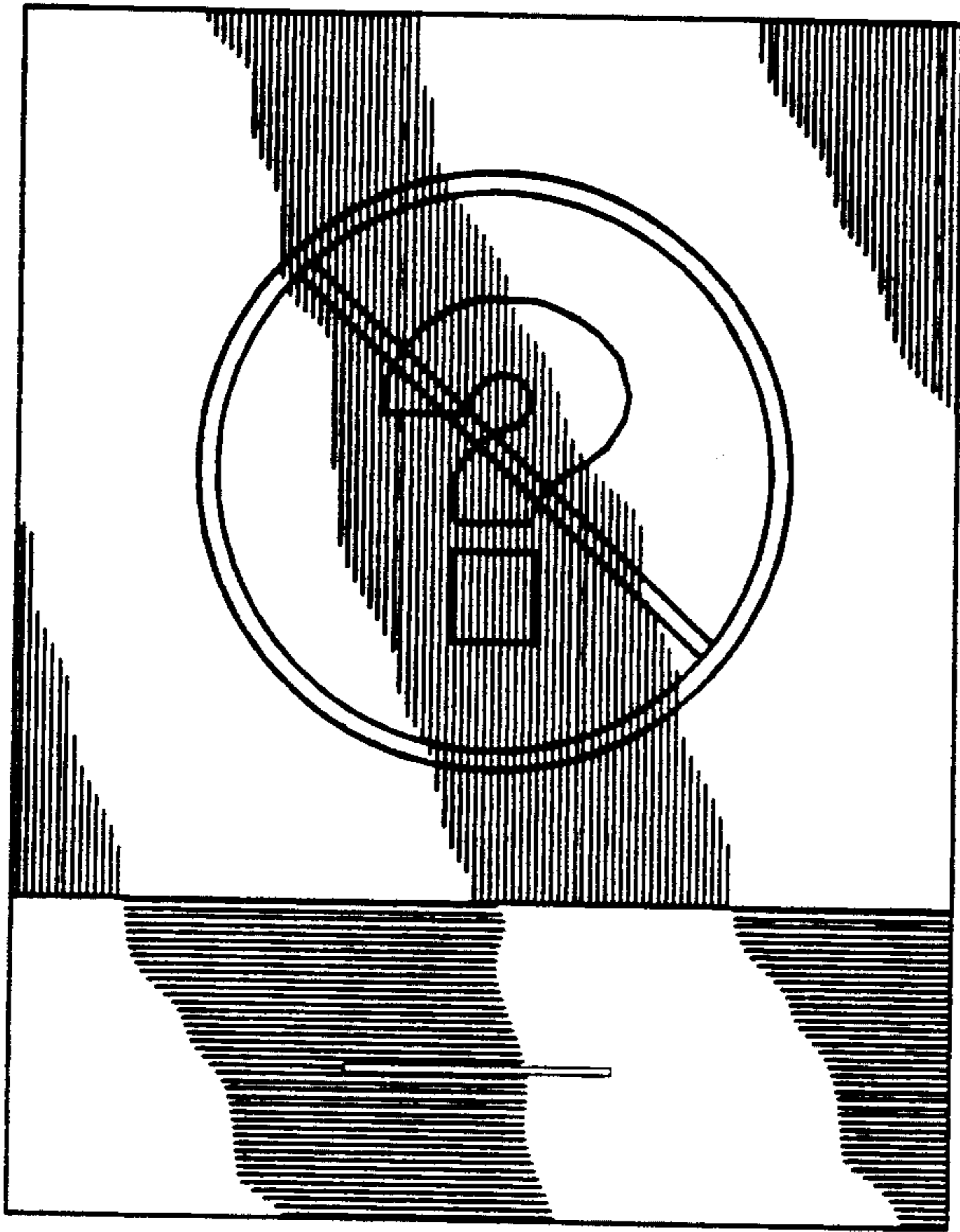


FIG. 2

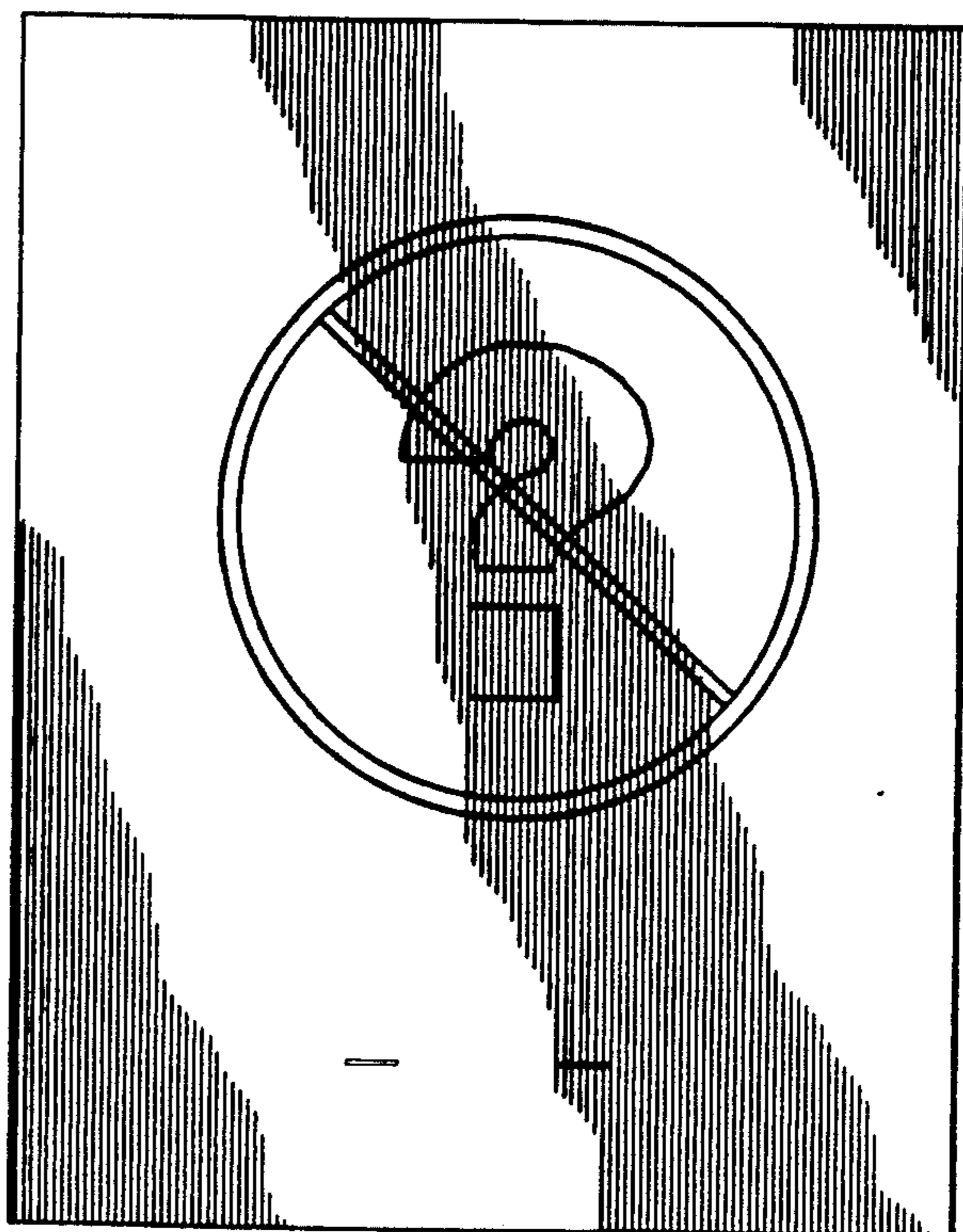


FIG. 3

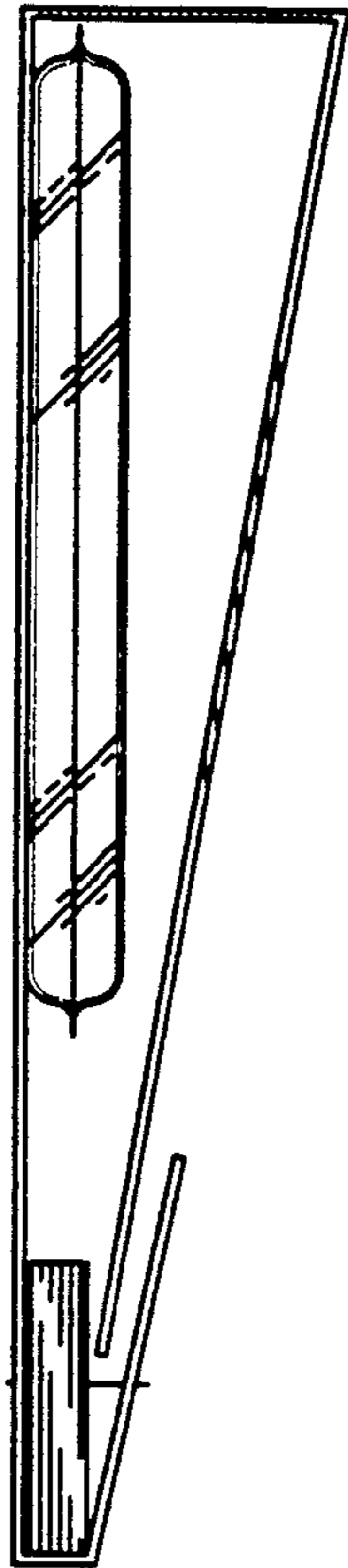


FIG. 4

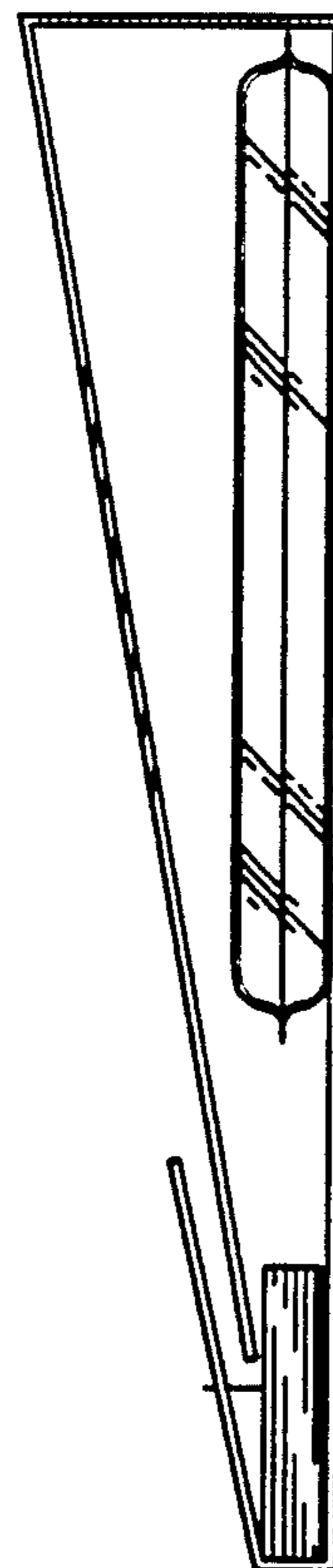


FIG. 5

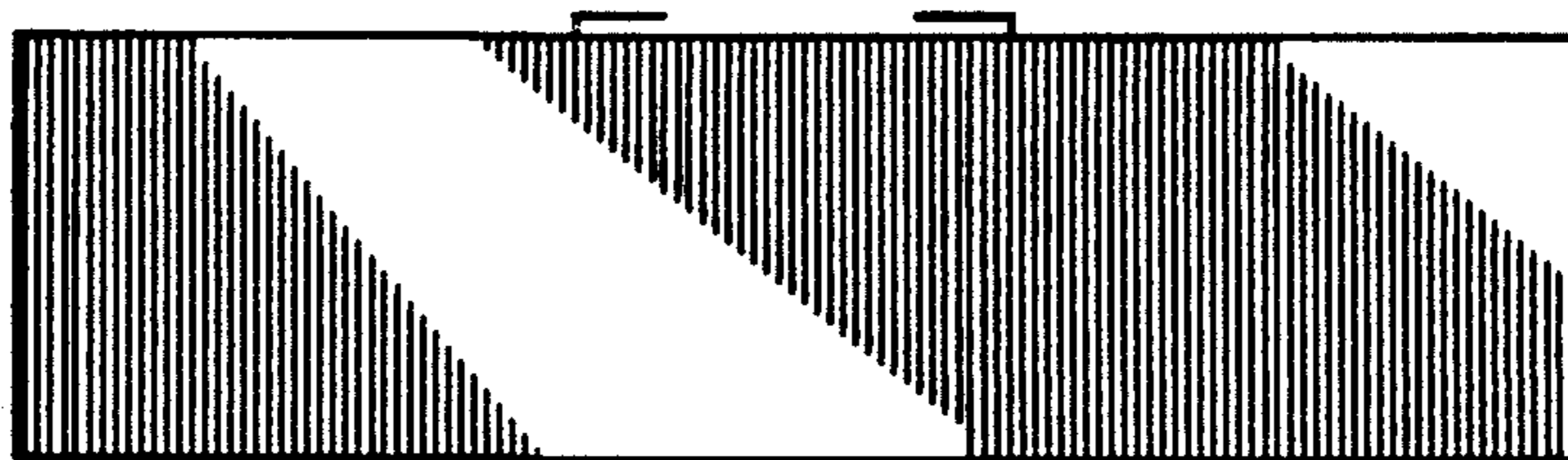


FIG. 6



FIG. 7

