



US00D342669S

United States Patent [19]
Solomon

[11] **Patent Number: Des. 342,669**

[45] **Date of Patent: ** Dec. 28, 1993**

[54] **CLAMP FOR SECURING UTILITY LINES**

[76] **Inventor: Milton Solomon, 9 Barbara La., Plainview, N.Y. 11803**

[**] **Term: 14 Years**

[21] **Appl. No.: 775,356**

[22] **Filed: Oct. 15, 1991**

[52] **U.S. Cl. D8/396; D8/394**

[58] **Field of Search D8/394-; 24/16; 248/68.1, 74.1, 74.2, 73**

[56] **References Cited**

U.S. PATENT DOCUMENTS

D. 135,112	2/1943	Jamison	D8/394
D. 291,177	8/1987	Santucci et al.	D8/395
D. 326,407	5/1992	Ito	D8/395
D. 329,374	9/1992	Kaga	D8/394
2,972,461	2/1961	Balbach et al.	248/73
3,971,105	7/1976	Caveney	248/74.3

Primary Examiner—B. J. Bullock
Attorney, Agent, or Firm—Goodman & Teitelbaum

[57] **CLAIM**

The ornamental design for a clamp for securing utility lines, as shown and described.

DESCRIPTION

FIG. 1 is a front, top, and right end perspective view of a clamp for securing utility lines showing my new design, in its position of use;

FIG. 2 is an enlarged left end elevational view thereof;

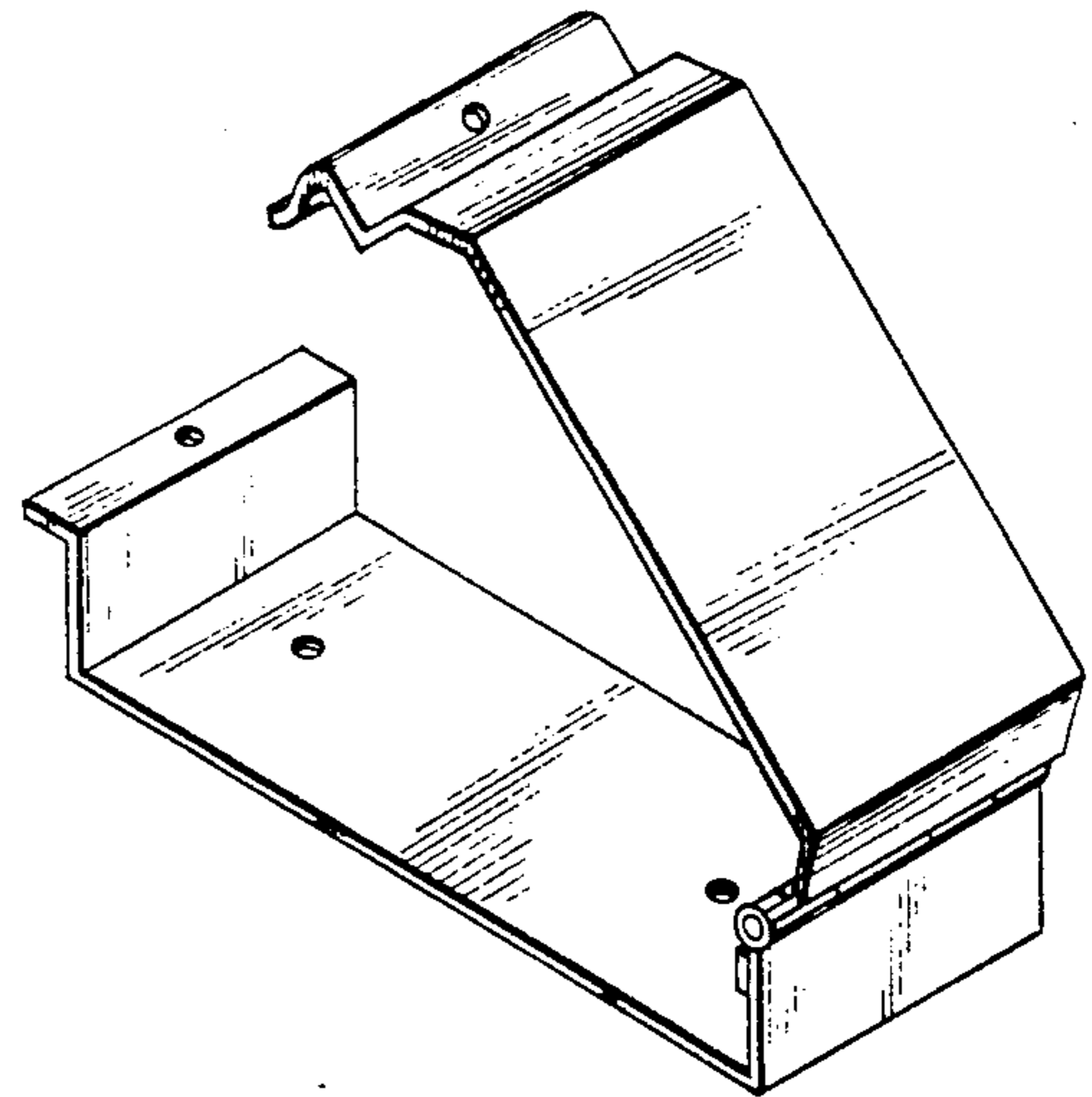
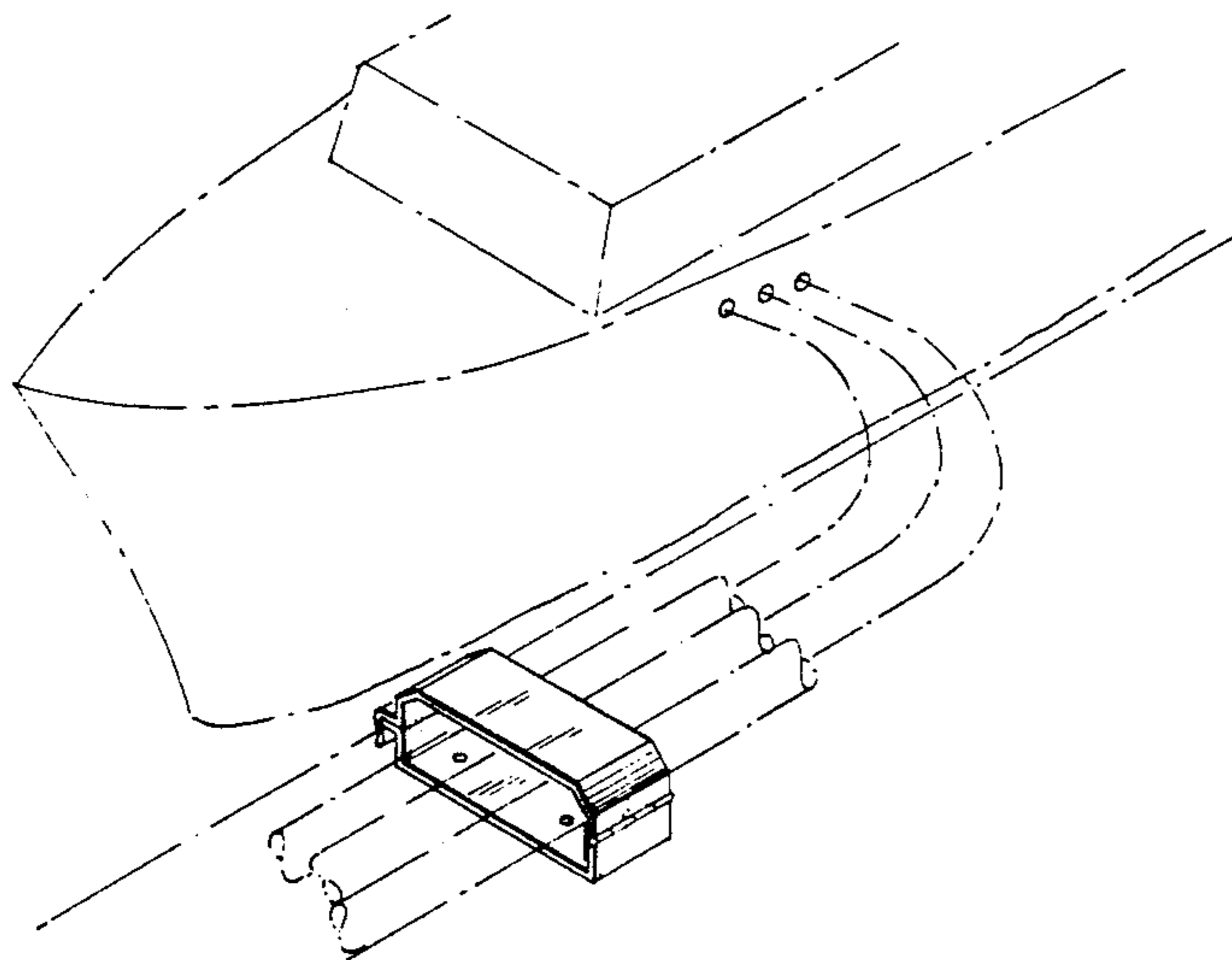
FIG. 3 is an enlarged right end elevational view thereof;

FIG. 4 is an enlarged top plan view thereof, the bottom being unornamented;

FIG. 5 is an enlarged rear elevational view thereof; and,

FIG. 6 is an enlarged front, top, and right side perspective view thereof, in its opened position.

The broken line representations in FIG. 1 are for illustrative purposes only.



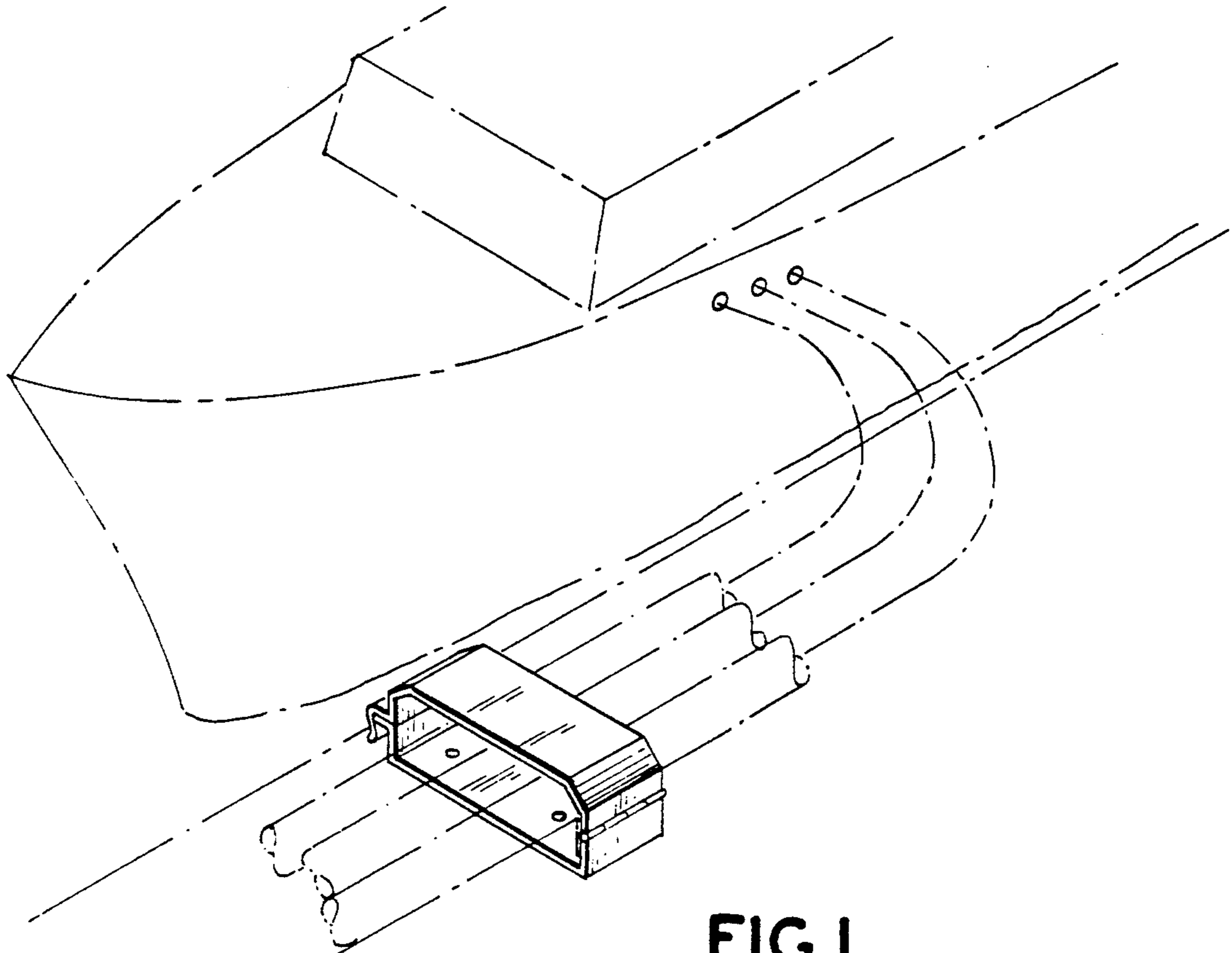


FIG. 1

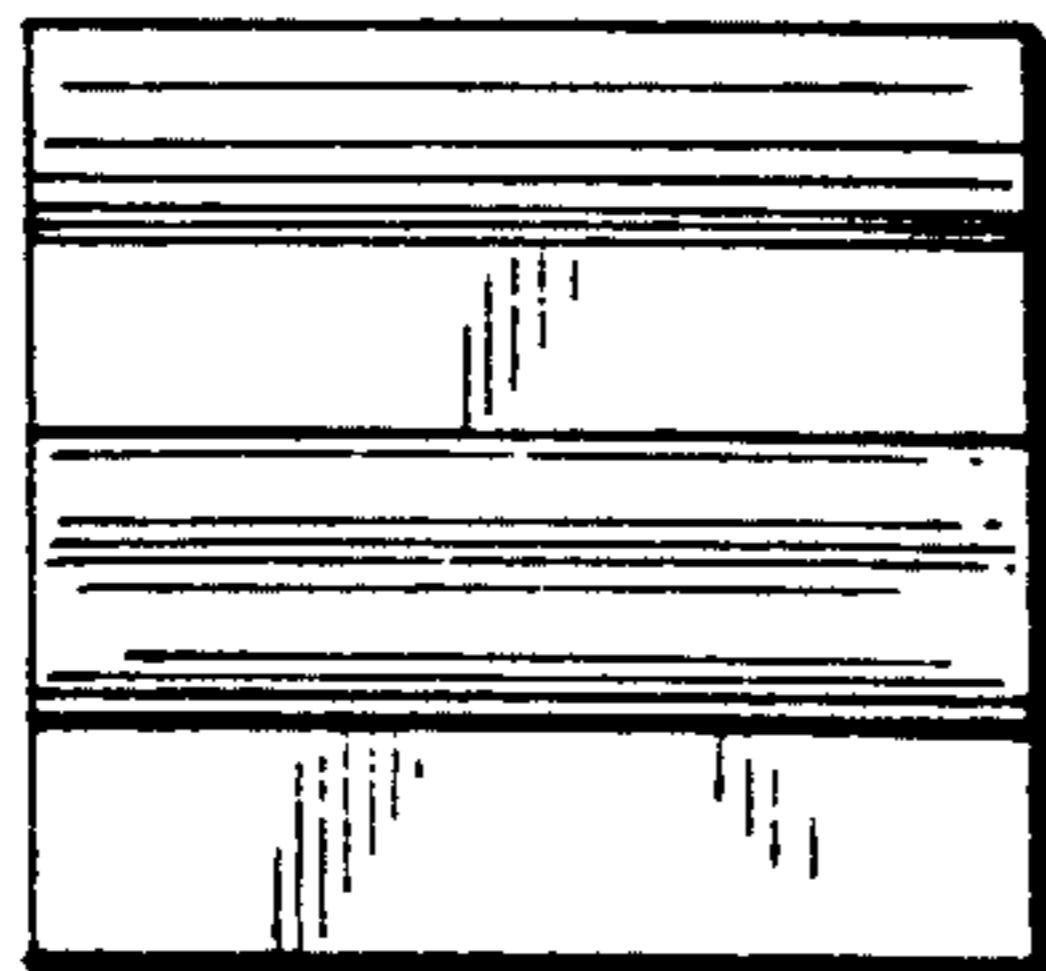


FIG. 2

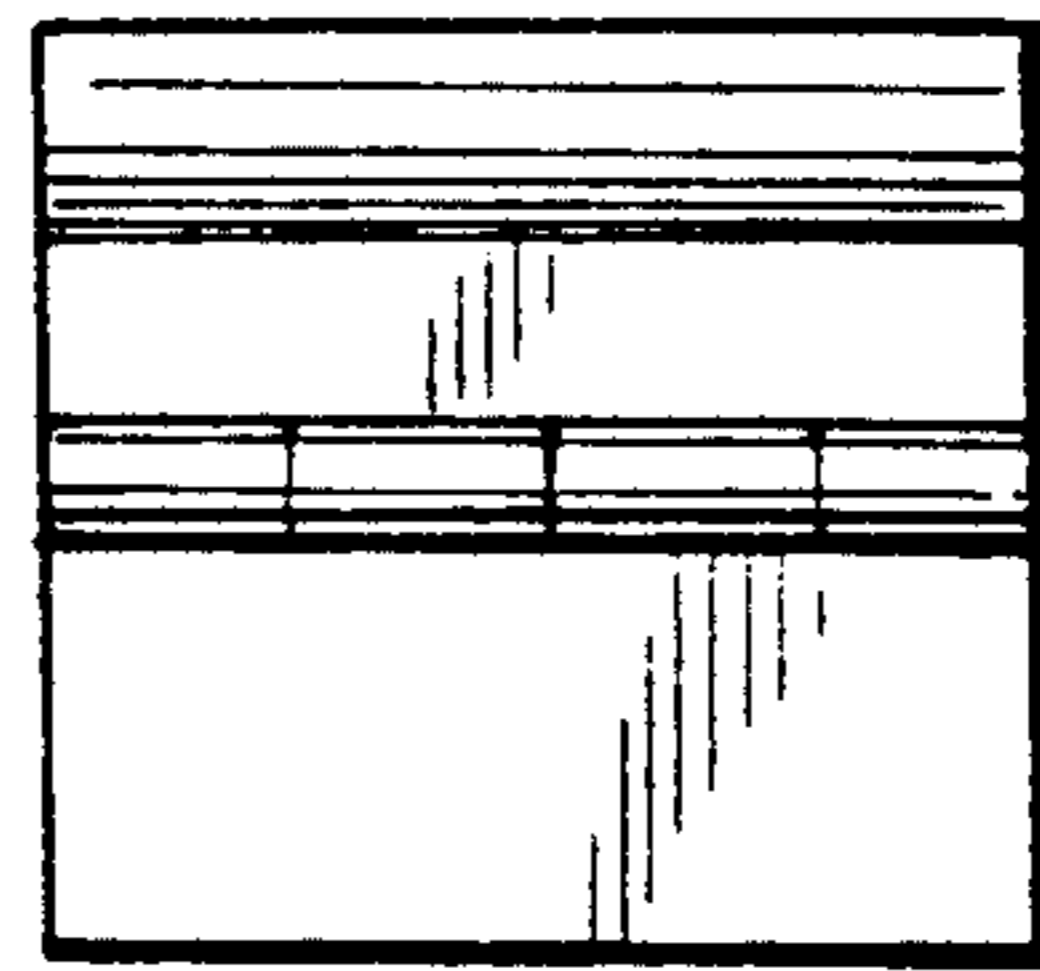


FIG. 3

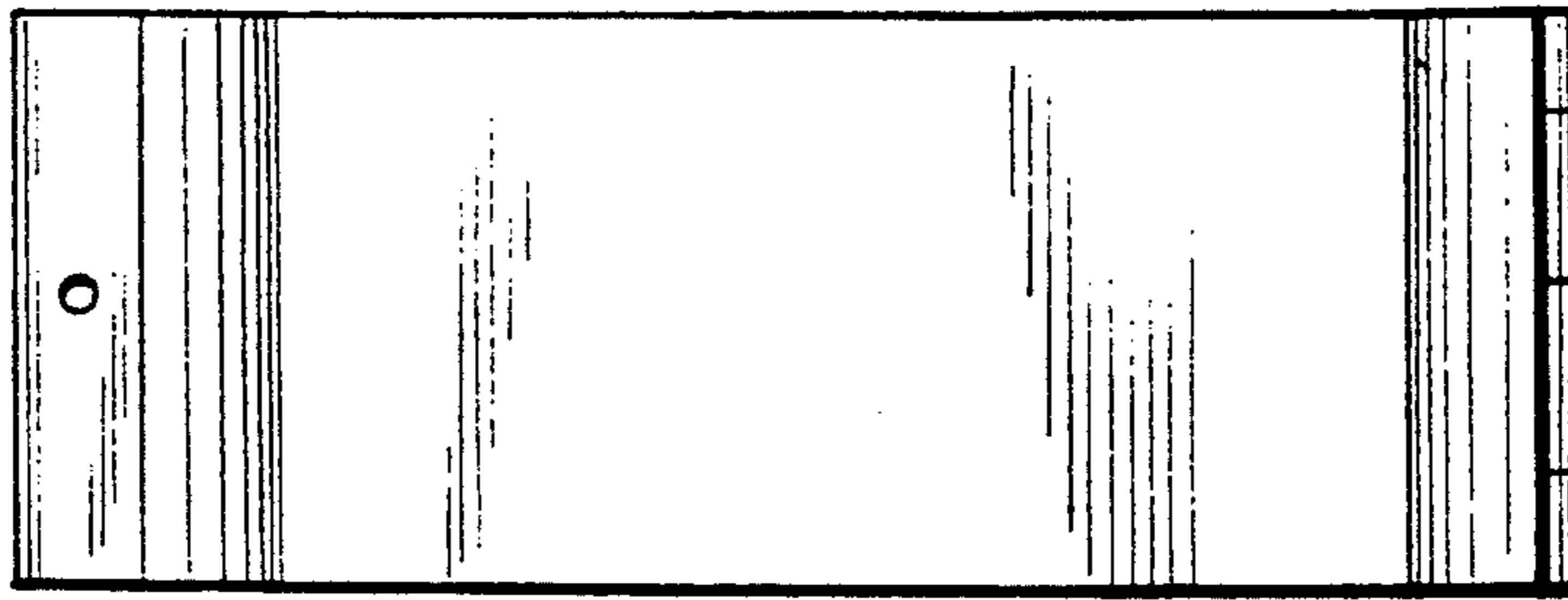


FIG. 4

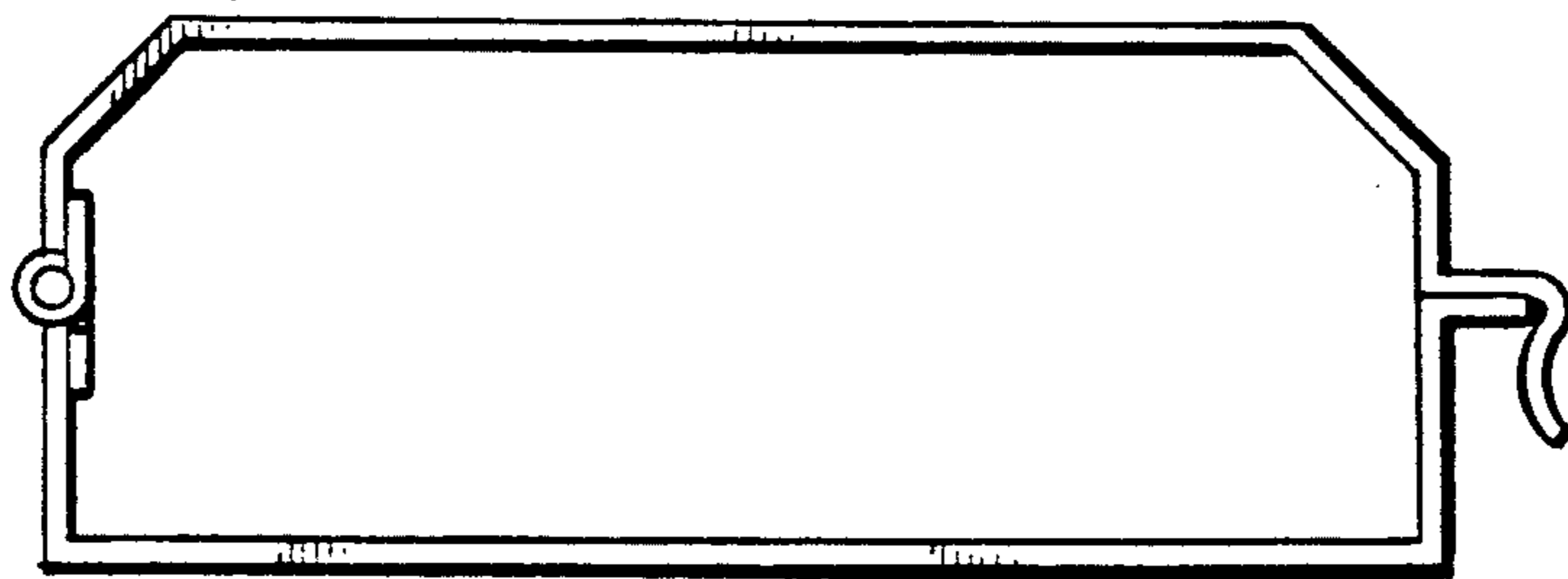


FIG. 5

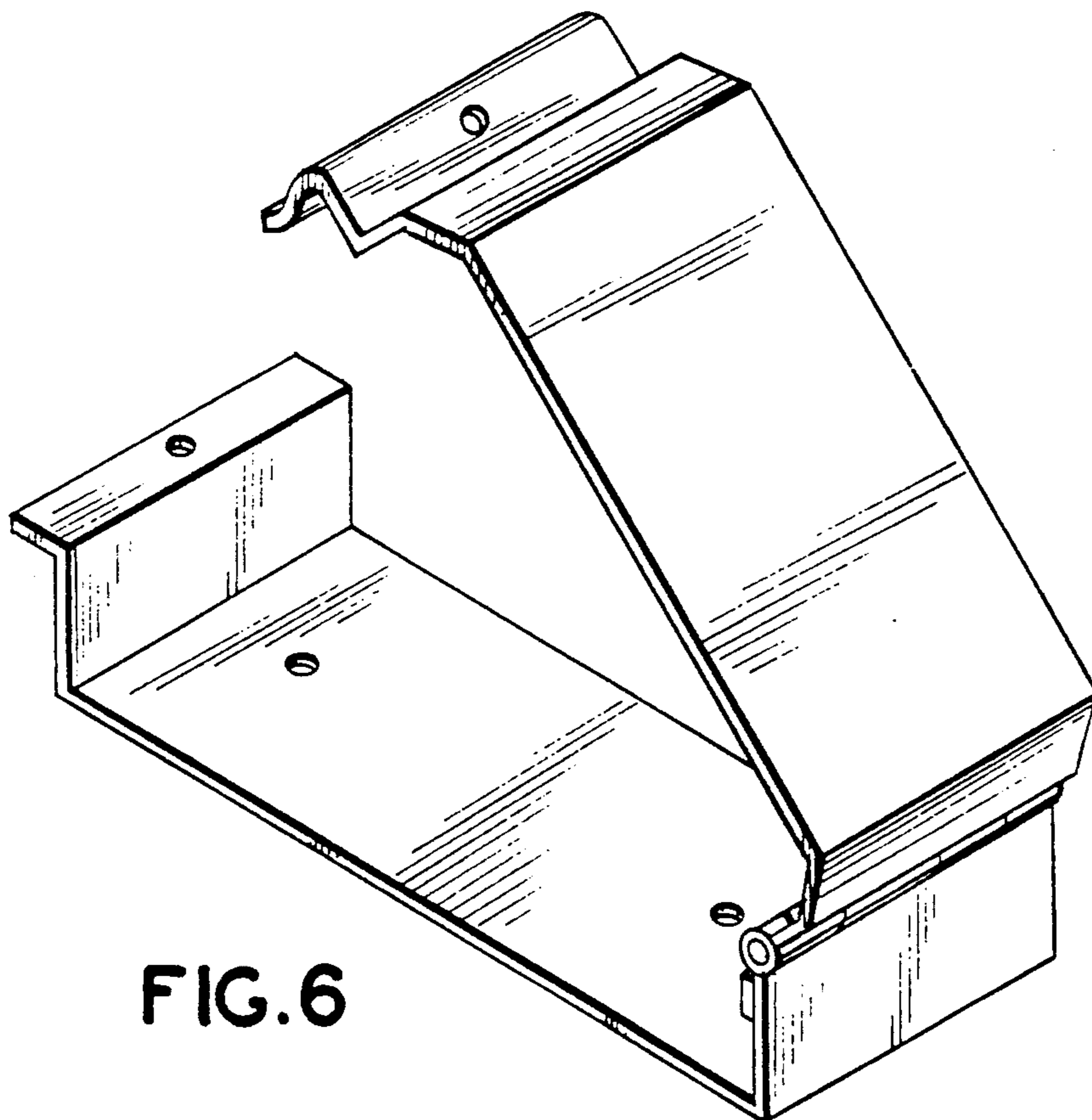


FIG. 6