



US00D342666S

United States Patent [19]

[11] Patent Number: Des. 342,666

DePack

[45] Date of Patent: ** Dec. 28, 1993

[54] SCUBA CYLINDER ATTACHMENT BLOCK

Assistant Examiner—H. Baynham
Attorney, Agent, or Firm—Richard C. Litman

[76] Inventor: Ronald G. DePack, 2035 Gless Ave.,
Union, N.J. 07083

[57] CLAIM

[**] Term: 14 Years

The ornamental design for a scuba cylinder attachment block, as shown and described.

[21] Appl. No.: 875,113

DESCRIPTION

[22] Filed: Apr. 28, 1992

[52] U.S. Cl. D8/373

[58] Field of Search D8/373; 248/313, 205.2

FIG. 1 is a right side elevational and environmental view of a scuba cylinder attachment block showing my new design;

[56] References Cited

U.S. PATENT DOCUMENTS

D. 316,809	5/1991	Carson	D8/373
D. 319,003	8/1991	Scharrenberg, Jr.	.	
3,882,619	5/1975	Durand et al.	248/313 X
4,379,541	4/1983	Harkness	248/544
4,555,083	11/1985	Carter	.	
4,889,306	12/1989	Boucher	.	

FIG. 2 is a front elevational view thereof;

FIG. 3 is a rear elevational view thereof;

FIG. 4 is a top view thereof;

FIG. 5 is a right side elevational view thereof;

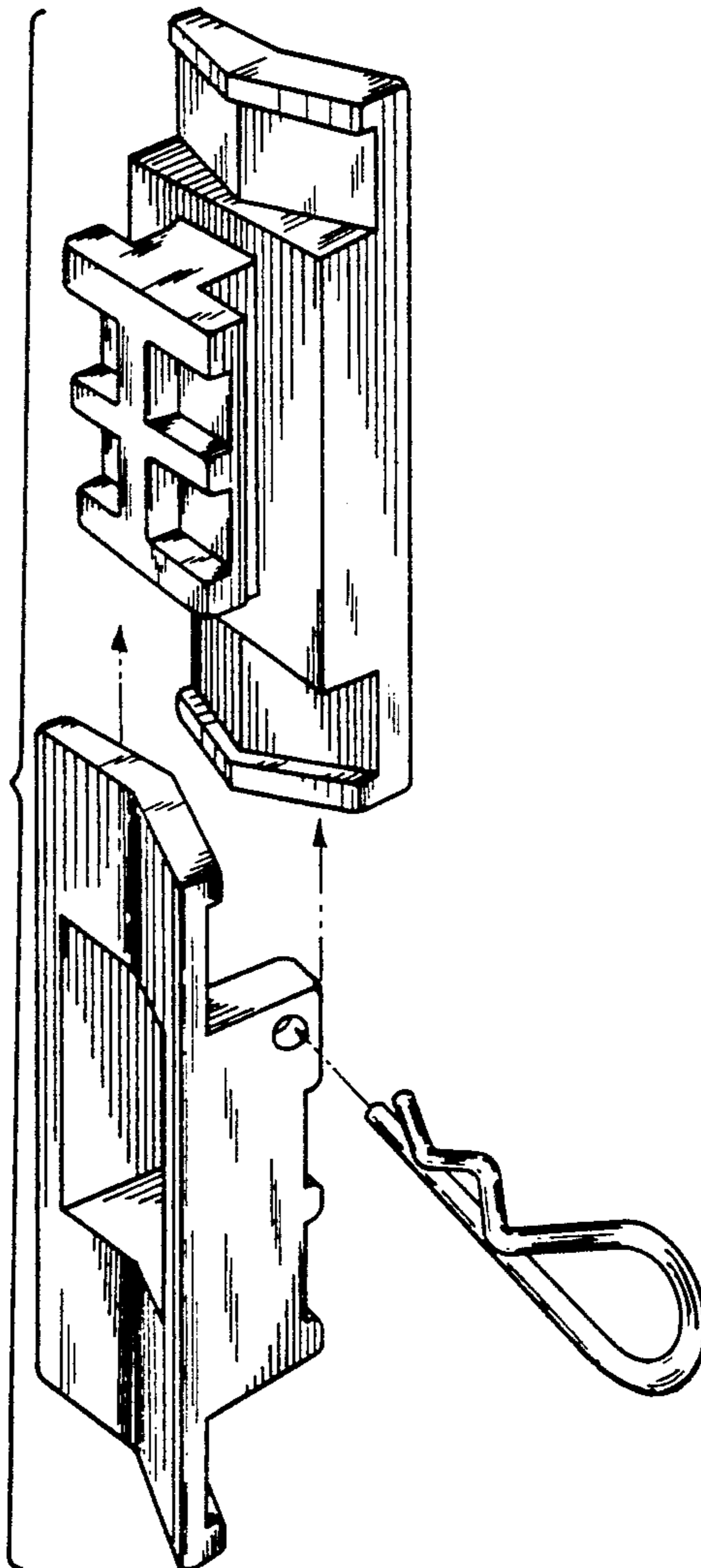
FIG. 6 is a left side elevational view thereof;

FIG. 7 is a bottom view thereof; and,

FIG. 8 is an exploded perspective view thereof.

The scuba cylinders and retaining straps shown in broken lines in FIG. 1 are for illustrative purposes only and form no part of the claimed design.

Primary Examiner—Wallace R. Burke



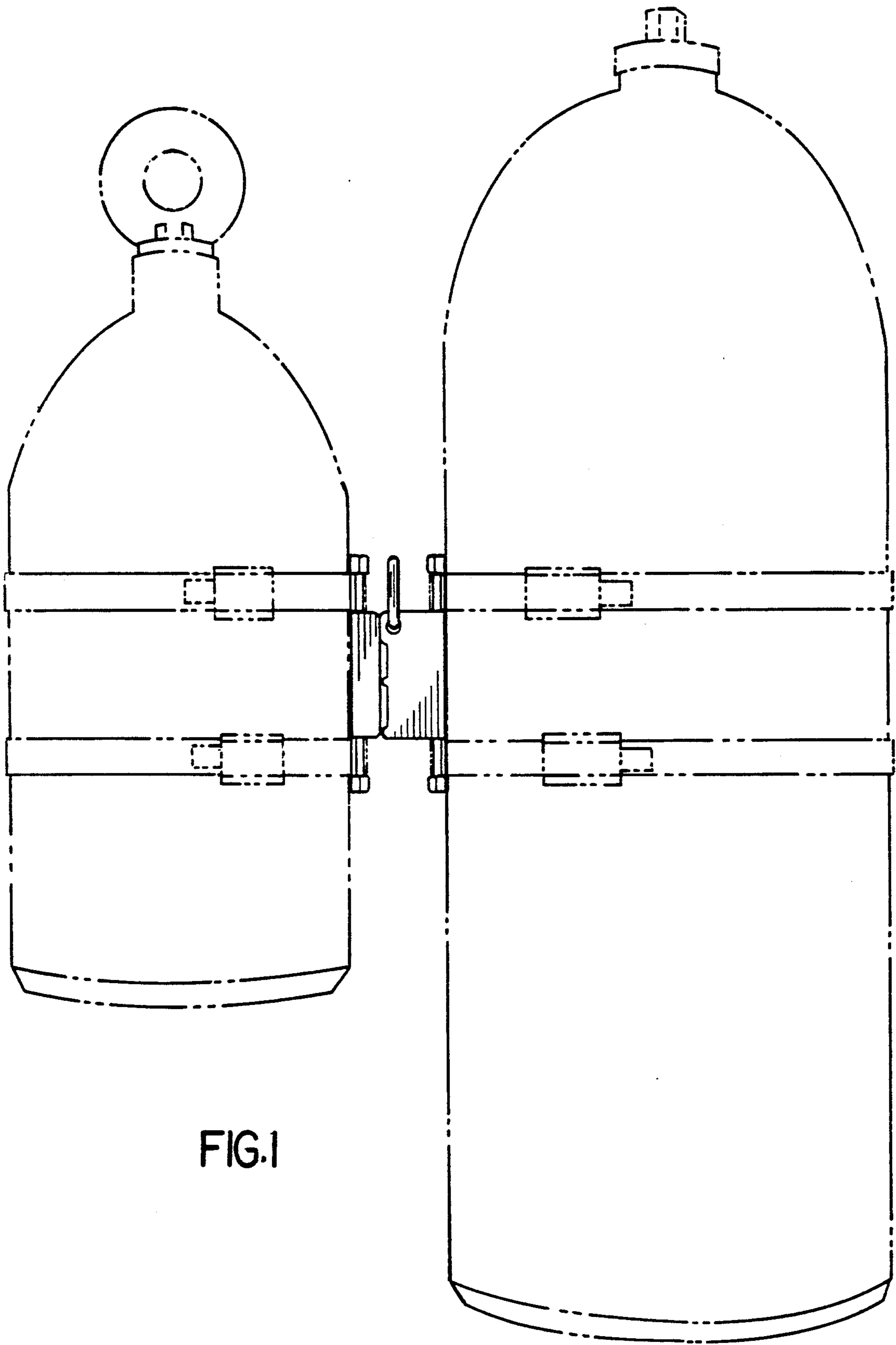


FIG.1

FIG.5

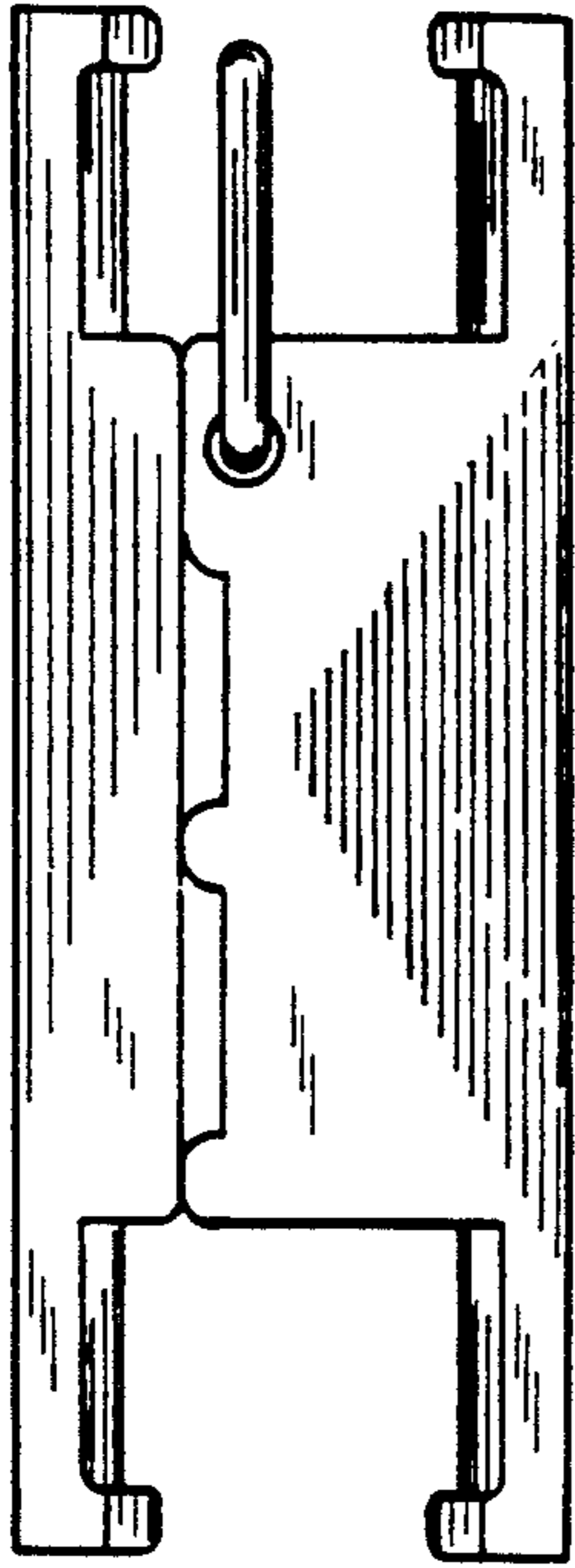


FIG.6

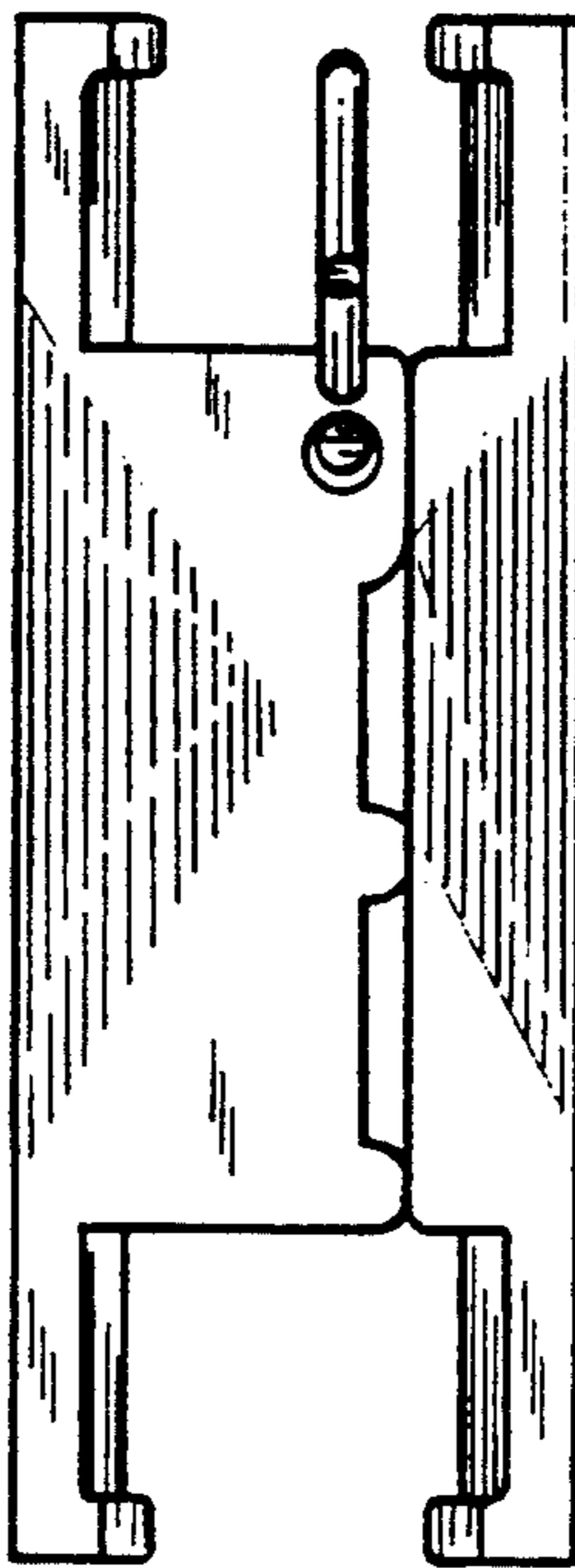


FIG.4

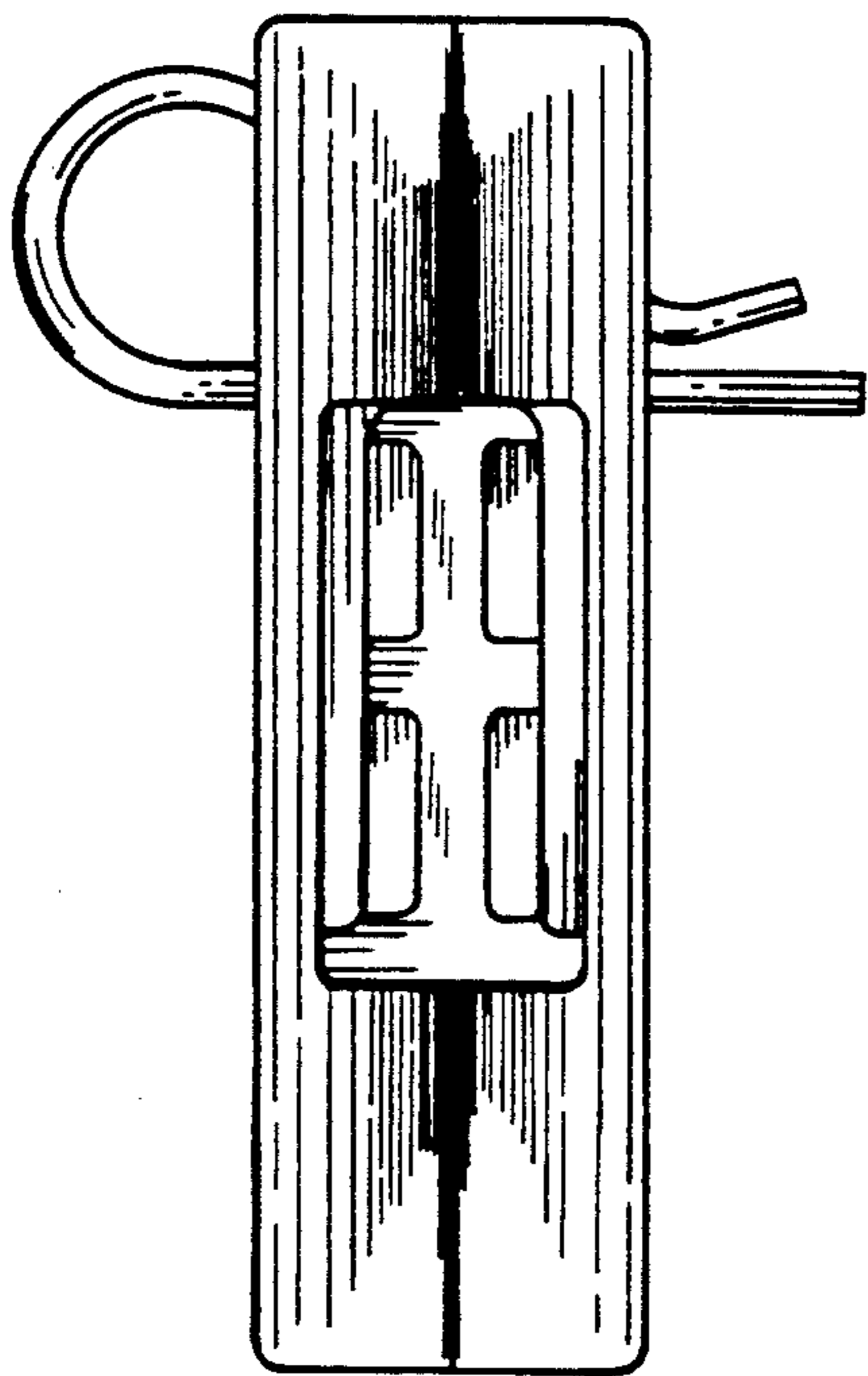
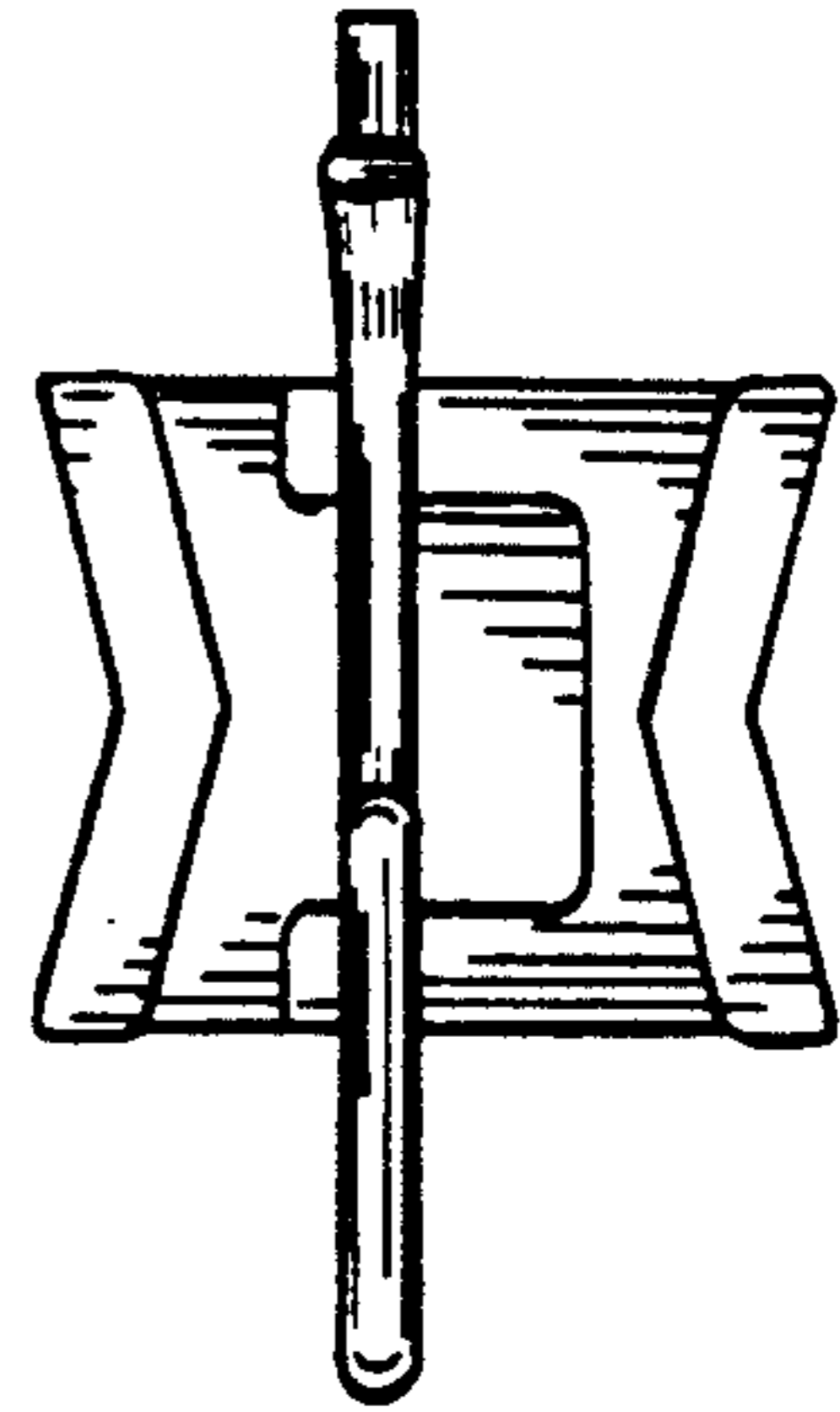


FIG.3

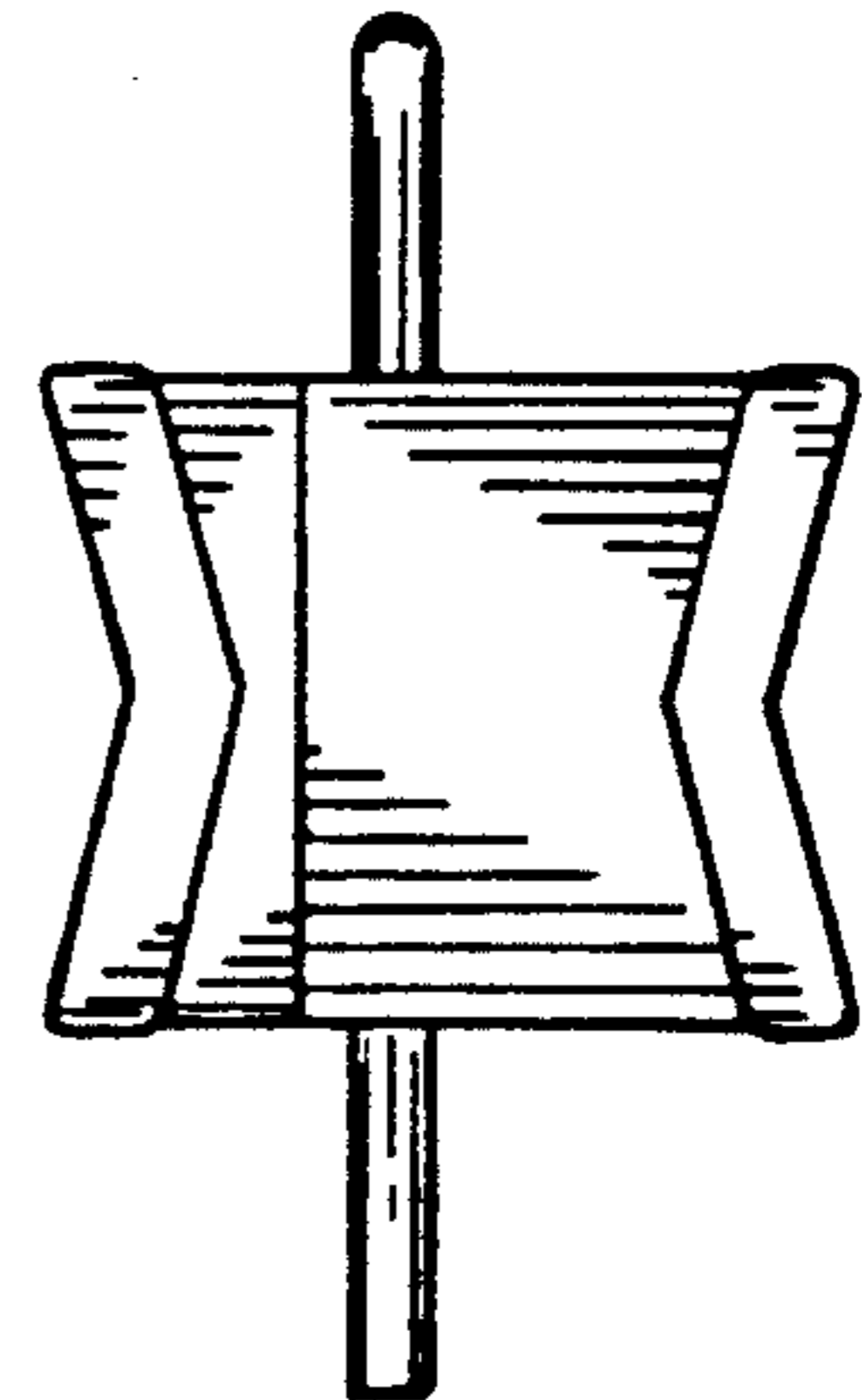
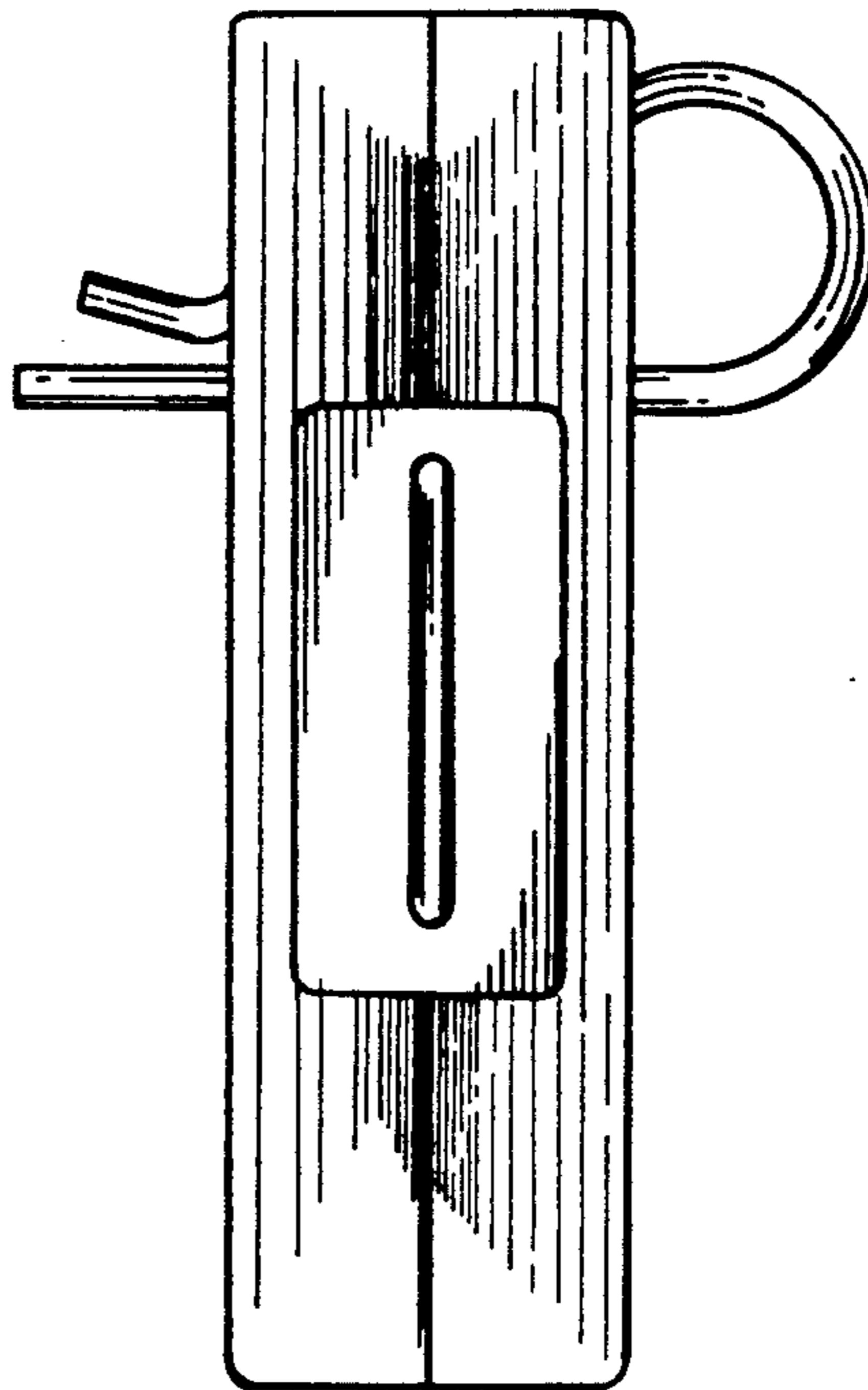


FIG.7

FIG.2

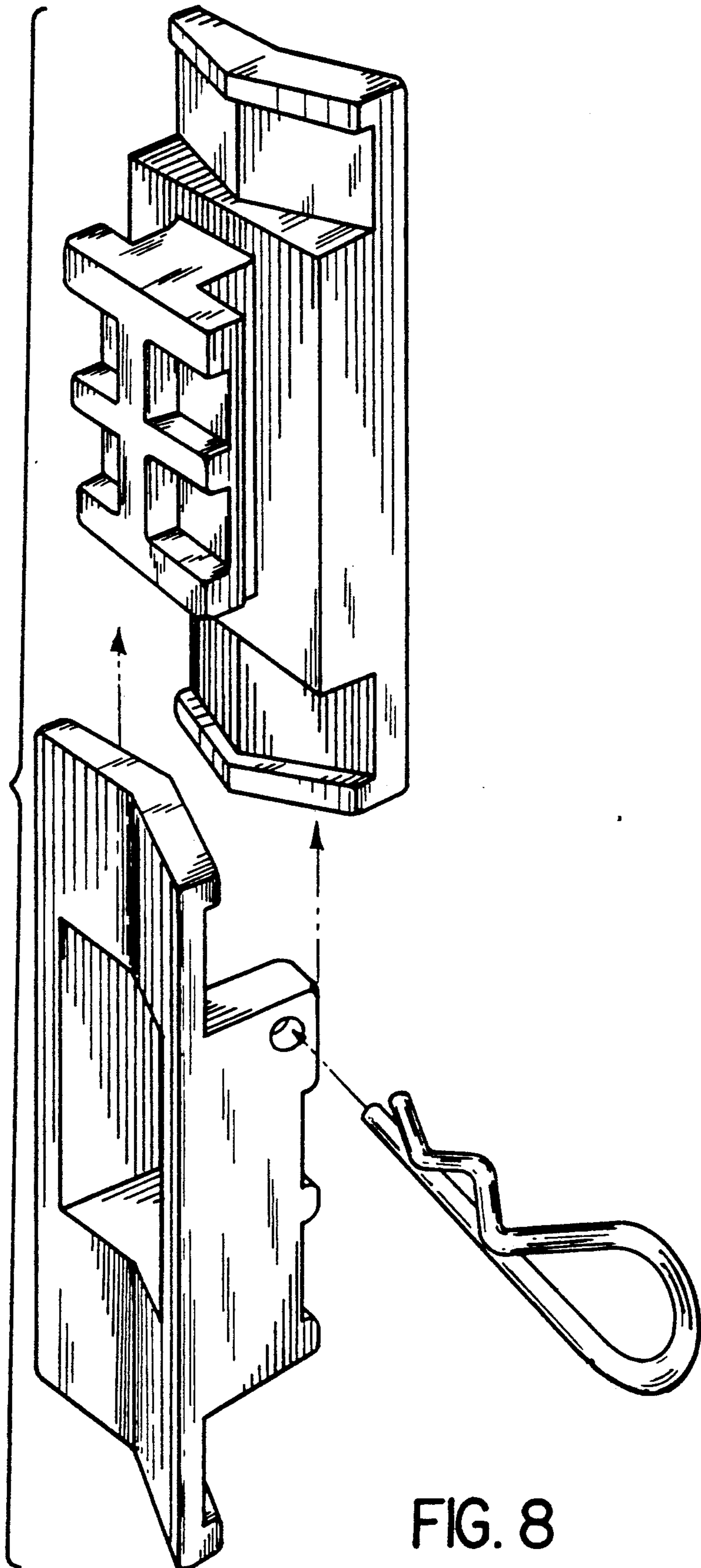


FIG. 8