



US00D342659S

United States Patent [19]
Glynn

[11] **Patent Number: Des. 342,659**

[45] **Date of Patent: ** Dec. 28, 1993**

[54] **CONTOURED AND RIBBED SIGN HOLDER CLAMP**

2,903,929 9/1959 McVey 269/249 X
3,997,152 12/1976 Sass et al. 269/249
4,592,541 6/1986 Huray 269/155

[75] **Inventor: John J. Glynn, Plymouth, Minn.**

[73] **Assignee: Glynn Company, Inc., Minnetonka, Minn.**

[**] **Term: 14 Years**

[21] **Appl. No.: 933,053**

[22] **Filed: Aug. 19, 1992**

[52] **U.S. Cl. D8/73**

[58] **Field of Search D8/72, 73, 74; 269/41, 269/97, 98, 152-155, 249**

[56] **References Cited**

U.S. PATENT DOCUMENTS

D. 296,515 7/1988 Cors D8/73 X
2,236,913 4/1941 Merrill 269/249 X

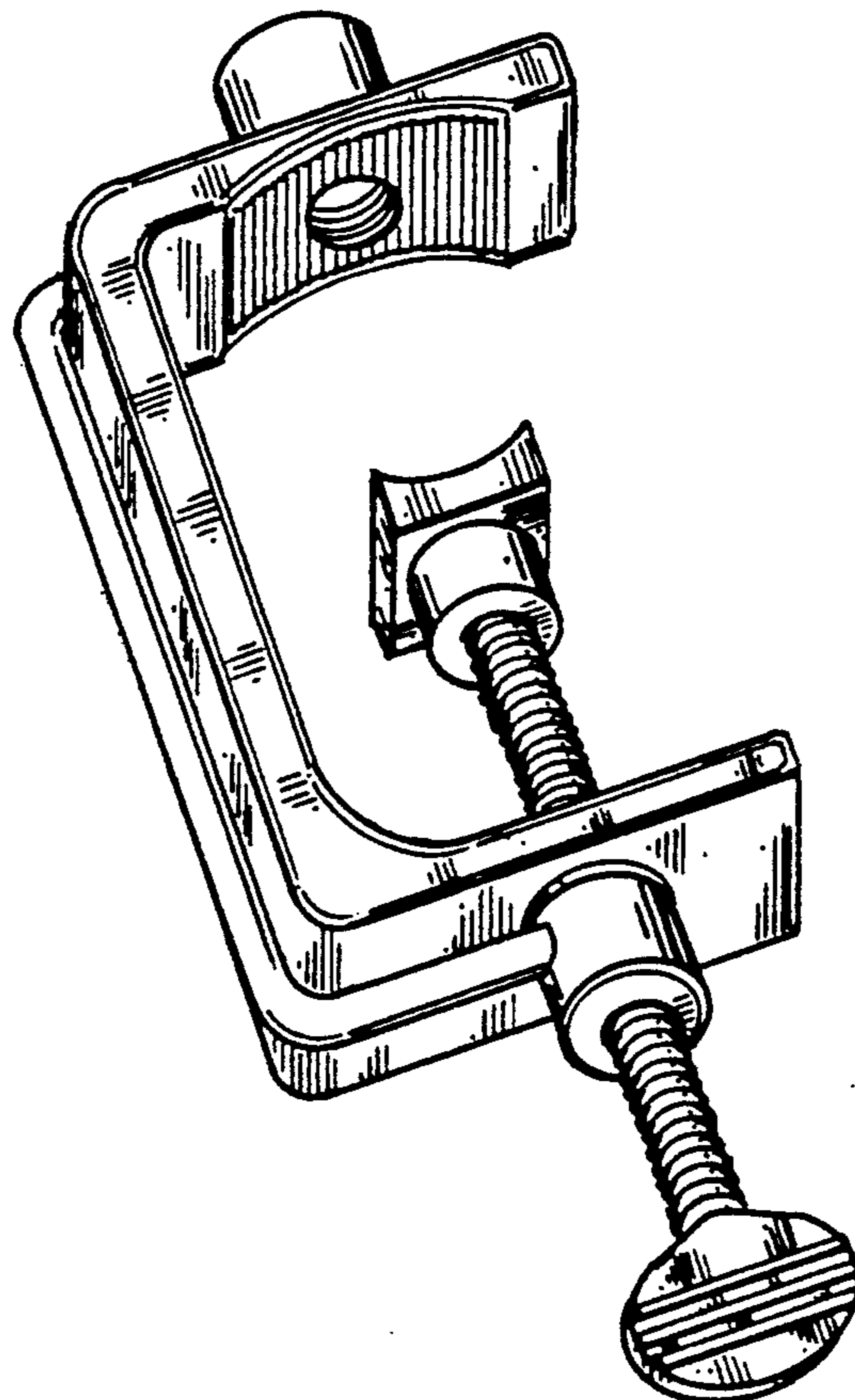
Primary Examiner—Nelson C. Holtje
Assistant Examiner—Jeff H. Musgrove
Attorney, Agent, or Firm—Palmatier, Sjoquist & Helget

[57] **CLAIM**

The ornamental design for contoured and ribbed sign holder clamp, as shown and described.

DESCRIPTION

FIG. 1 is a front elevational view of the invention which is a mirror image of the rear elevational view; FIG. 2 is a right side elevational view of the invention; FIG. 3 is a top plan view of the invention; FIG. 4 is a bottom plan view of the invention; FIG. 5 is a front perspective view of the invention; and, FIG. 6 is a left side elevational view of the invention.



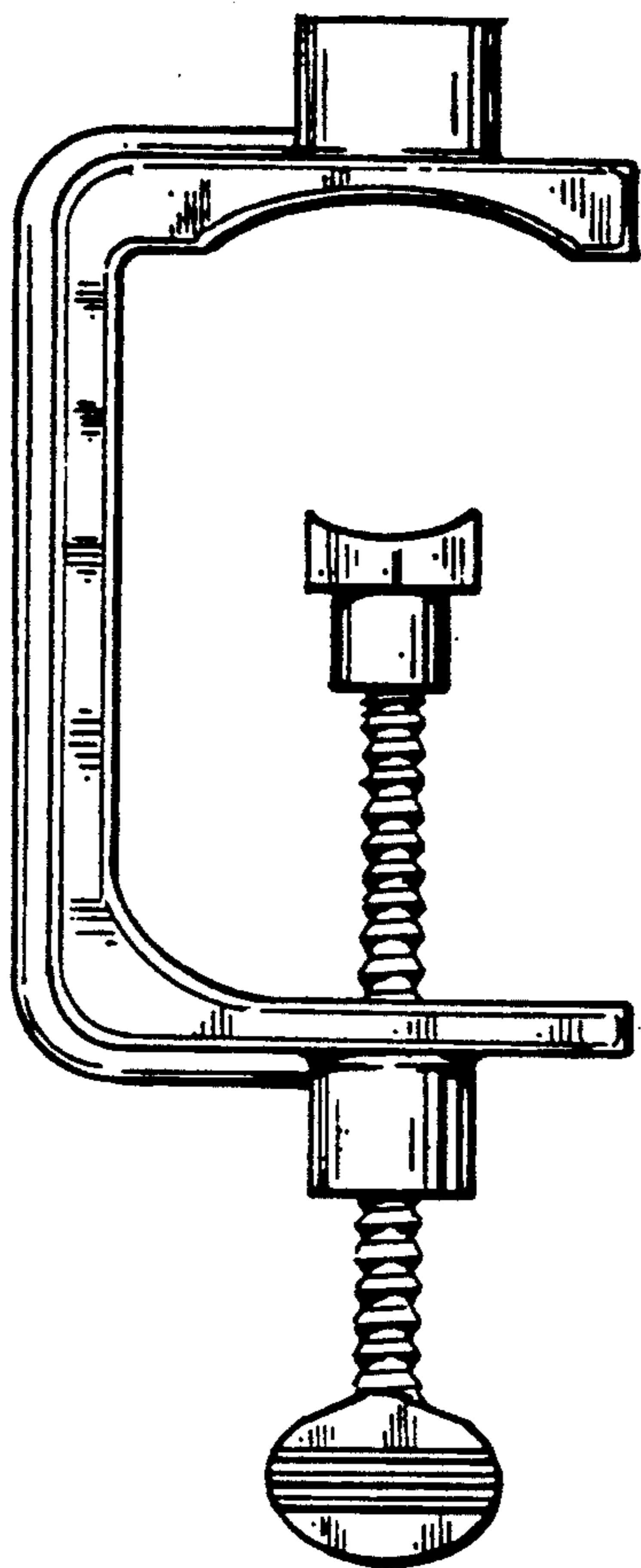


Fig. 1.

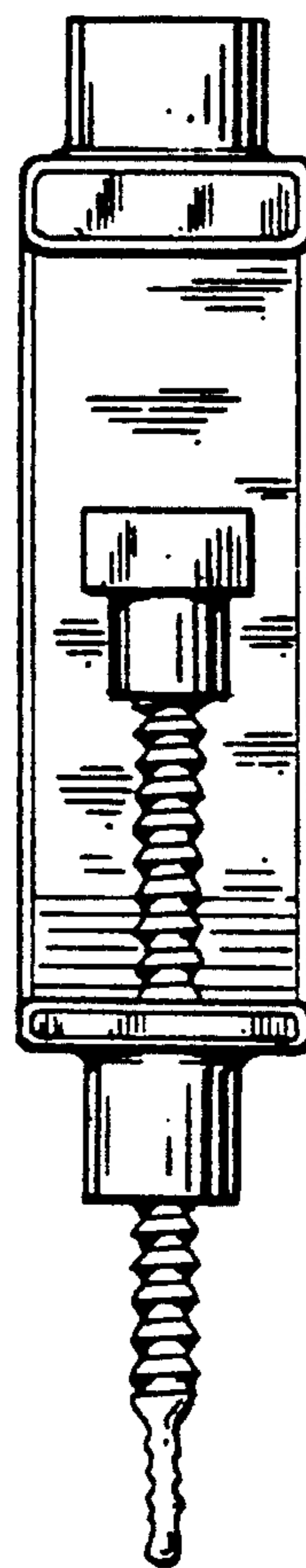


Fig. 2.

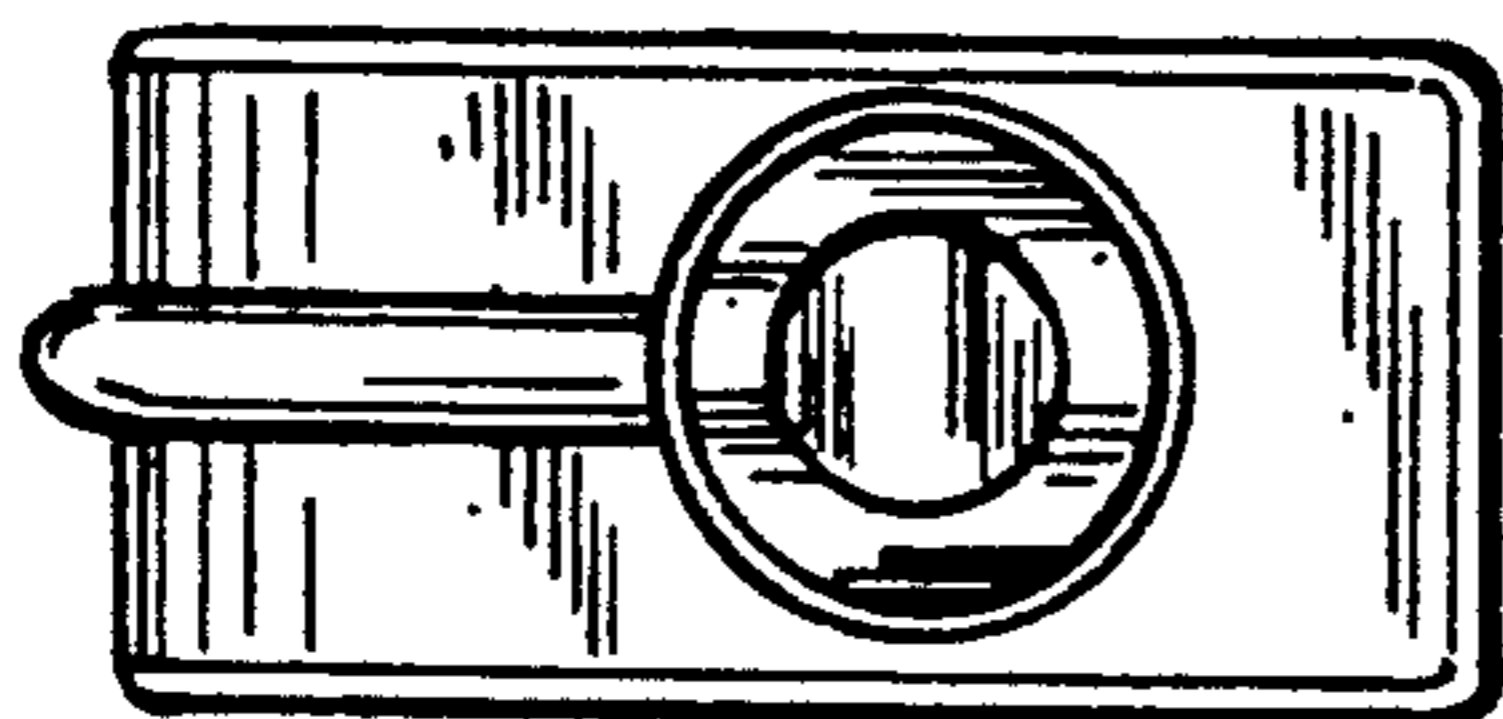


Fig. 3.

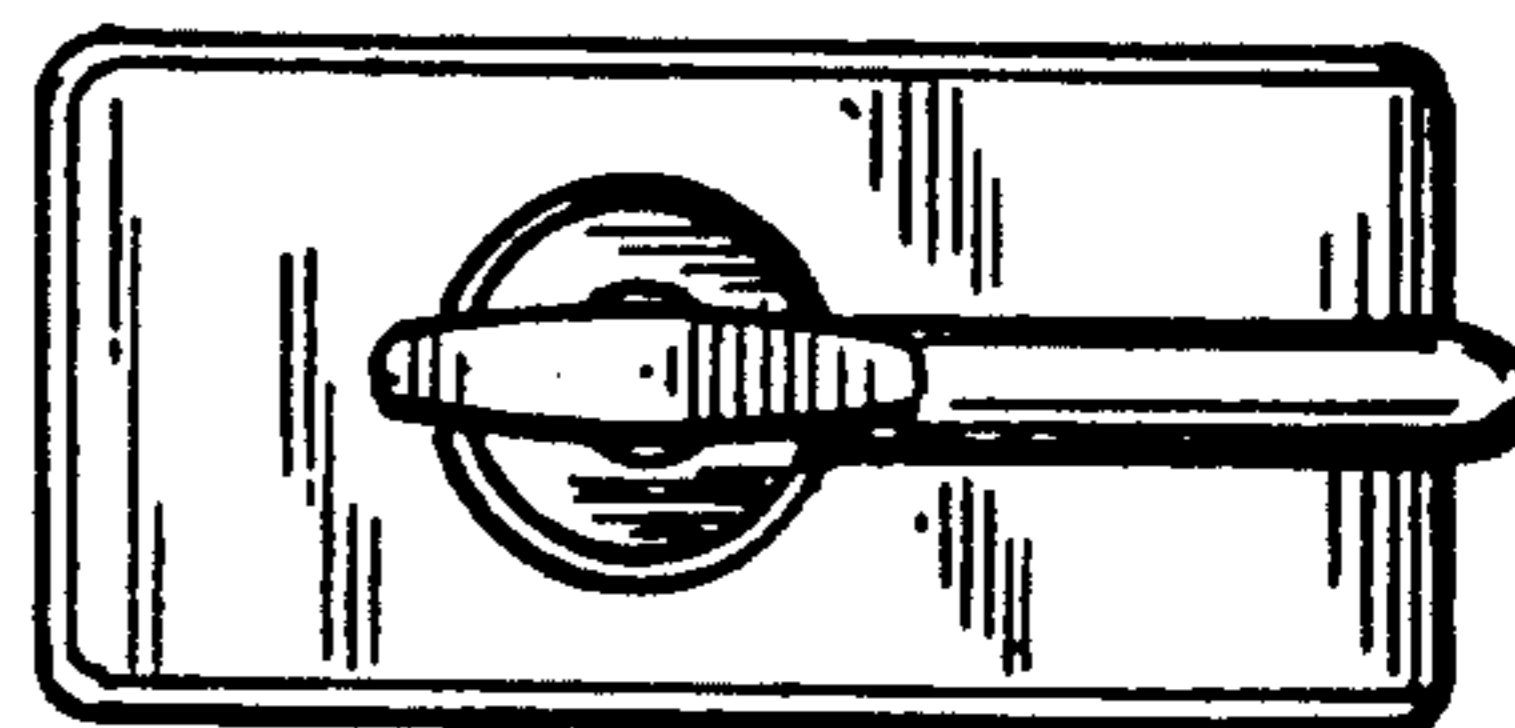


Fig. 4.

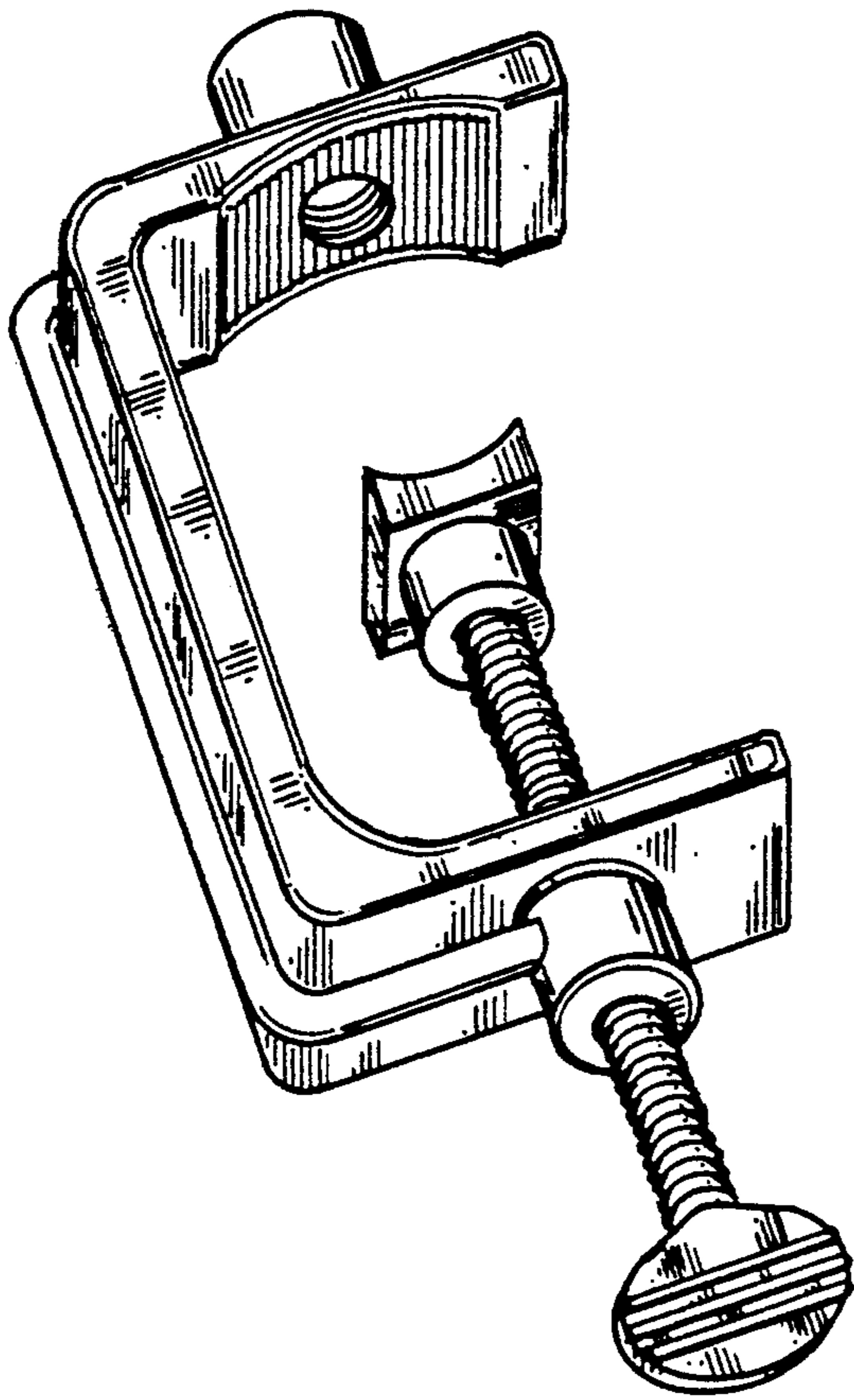


Fig. 5.

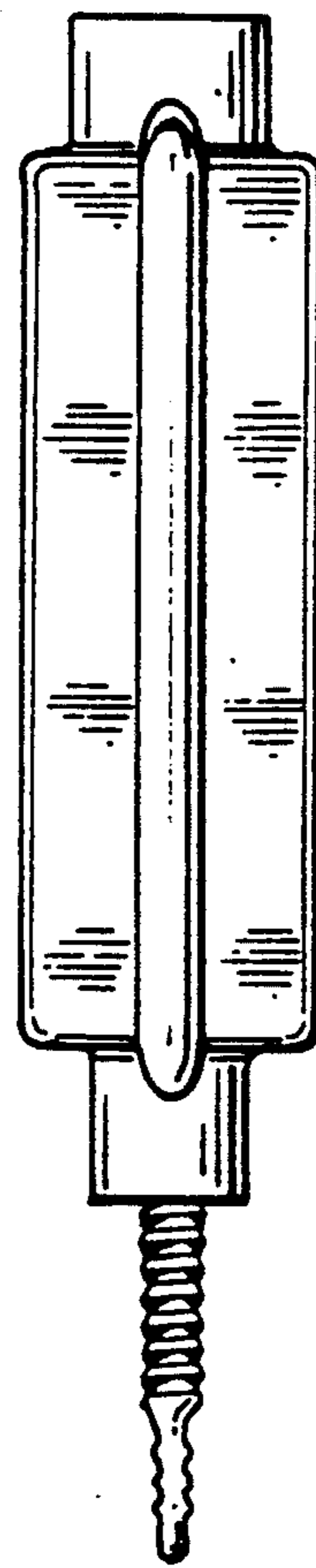


Fig. 6.