



US00D342653S

United States Patent [19]

[11] Patent Number: **Des. 342,653**

Macor

[45] Date of Patent: **** Dec. 28, 1993**

[54] **BOX WRENCH**

3,742,788	7/1973	Priest	81/61
3,754,486	8/1973	Mariner	81/63
4,819,521	4/1989	Lang	81/63

[76] Inventor: **Richard J. Macor**, 561 A1 New Village Rd., Stewartsville, N.J. 08886

OTHER PUBLICATIONS

Craftsman Tools Cat., 1990, p. 31, No. 15, box end wrenches.

[**] Term: **14 Years**

Primary Examiner—Bernard Ansher

[21] Appl. No.: **864,972**

Assistant Examiner—Philip Hyder

[22] Filed: **Apr. 7, 1992**

[52] U.S. Cl. **D8/25; D8/28**

[58] Field of Search **D8/21, 25, 28; 81/61, 81/62, 63, 121.1, 124.1, 125, 177.1, 177.85**

[57] CLAIM

The ornamental design for a box wrench, as shown.

[56] References Cited

DESCRIPTION

U.S. PATENT DOCUMENTS

D. 214,018	5/1969	Traughber	D8/25
D. 332,730	1/1993	Usuda	D8/25
2,421,038	5/1947	Schultz	81/61
2,500,835	3/1950	Lang	D8/25
2,712,258	7/1955	Keith	81/63
3,635,654	1/1972	McFarland	81/63

FIG. 1 is a perspective view of a box wrench showing my new design;

FIG. 2 is a front elevation view thereof;

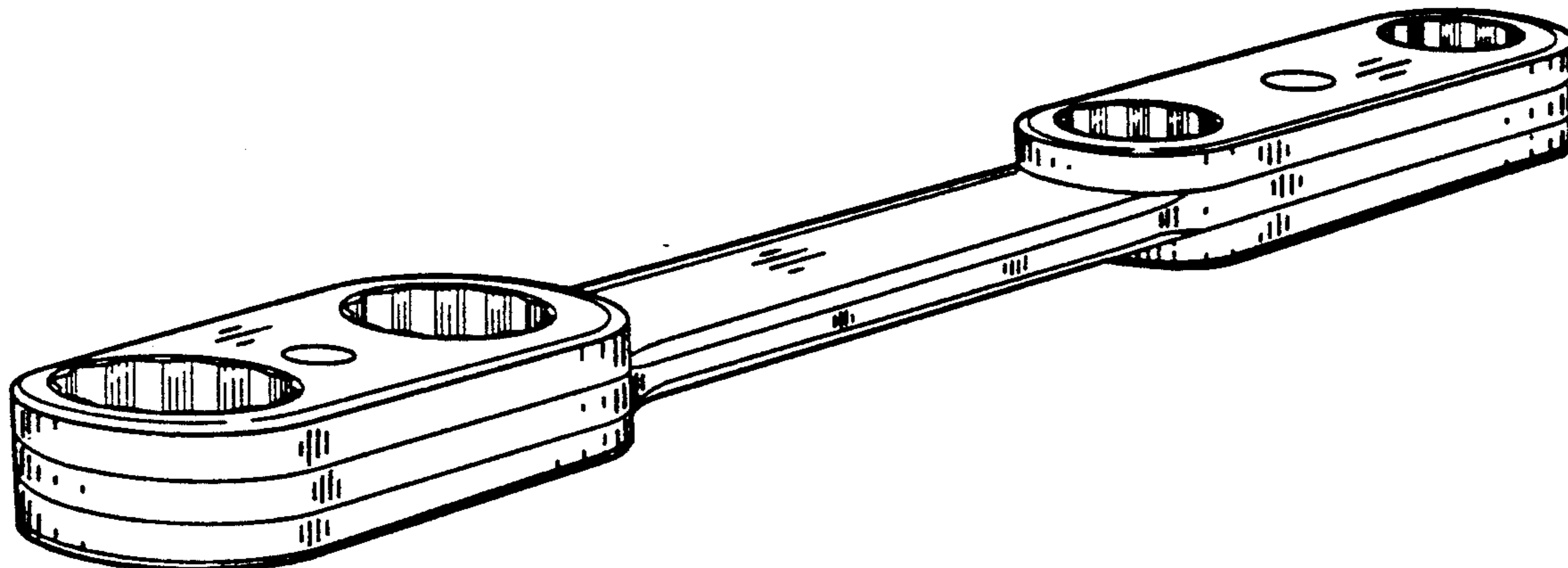
FIG. 3 is a rear elevation view thereof;

FIG. 4 is a top plan view thereof;

FIG. 5 is a bottom plan view thereof;

FIG. 6 is a right side elevation view thereof; and,

FIG. 7 is a left side elevation view thereof.



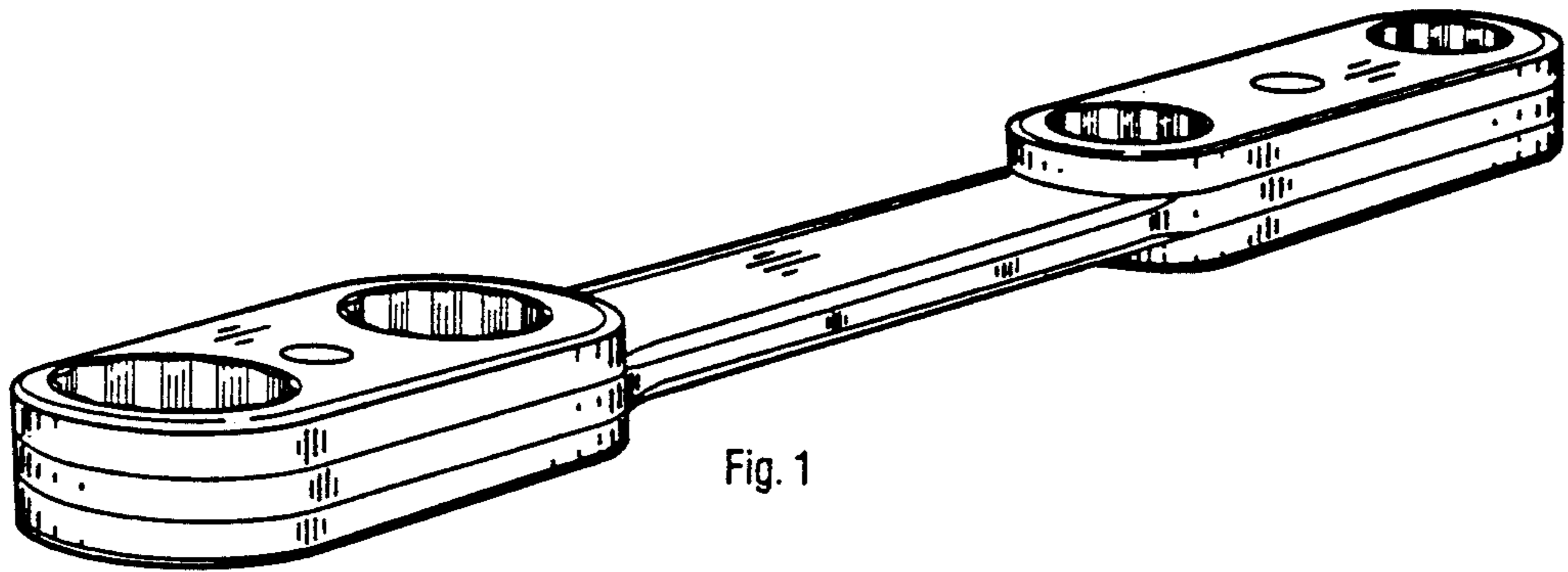


Fig. 1

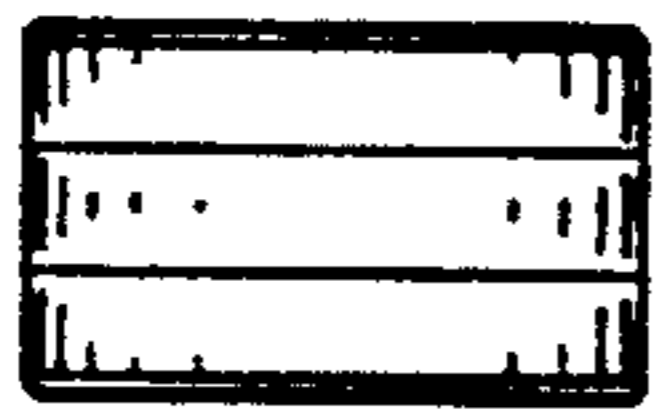


Fig. 2



Fig. 3

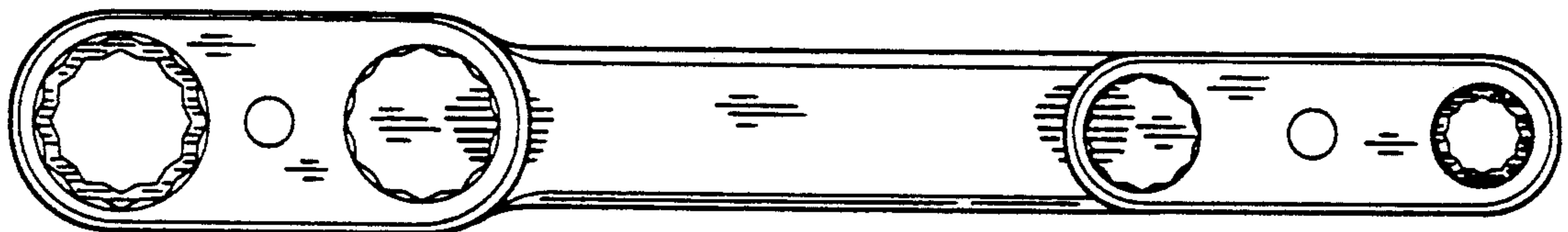


Fig. 4

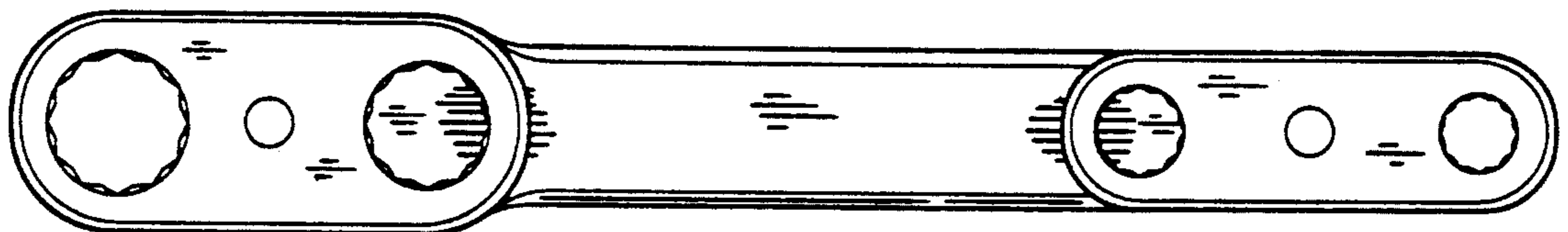


Fig. 5

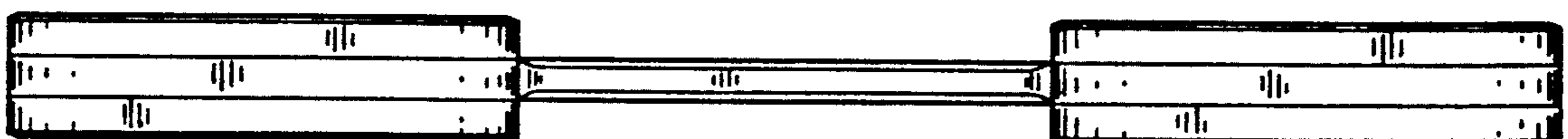
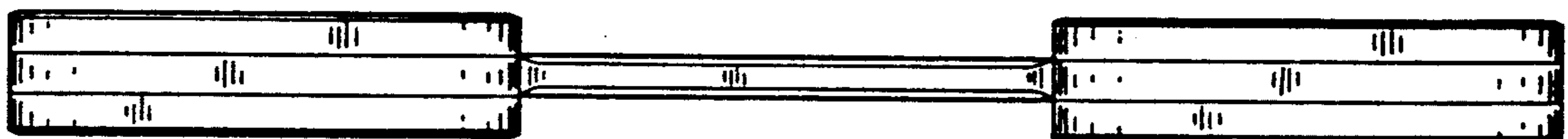


Fig. 7