



US00D342650S

# United States Patent [19]

So

[11] Patent Number: **Des. 342,650**

[45] Date of Patent: **\*\* Dec. 28, 1993**

[54] **POTATO MASHER**

[75] Inventor: **Shun So, Kowloon, Hong Kong**

[73] Assignee: **Ki Mee Metal & Plastic Factory Limited, Hong Kong**

[\*\*] Term: **14 Years**

[21] Appl. No.: **867,628**

[22] Filed: **Apr. 13, 1992**

[30] **Foreign Application Priority Data**

Dec. 24, 1991 [GB] United Kingdom ..... 2019828

[52] U.S. Cl. .... **D7/666; D7/682**

[58] Field of Search ..... **D7/666, 683-687, D7/682, 668, 670; 241/168, 169, 169.2**

[56] **References Cited**

**U.S. PATENT DOCUMENTS**

D. 57,862 5/1921 Roberts ..... D7/666

D. 223,949 6/1972 Eipper ..... D7/666

D. 233,533 11/1974 Ocel et al. .... D7/666 X

D. 324,156 2/1992 So .

1,712,802 5/1929 Willis ..... 241/168 X

**FOREIGN PATENT DOCUMENTS**

2019828 4/1992 United Kingdom .

*Primary Examiner*—Terry A. Wallace

*Attorney, Agent, or Firm*—Wood, Herron & Evans

[57] **CLAIM**

The ornamental design for a potato masher, as shown.

**DESCRIPTION**

FIG. 1 is a top plan view of the potato masher showing my new design;

FIG. 2 is a bottom plan view thereof;

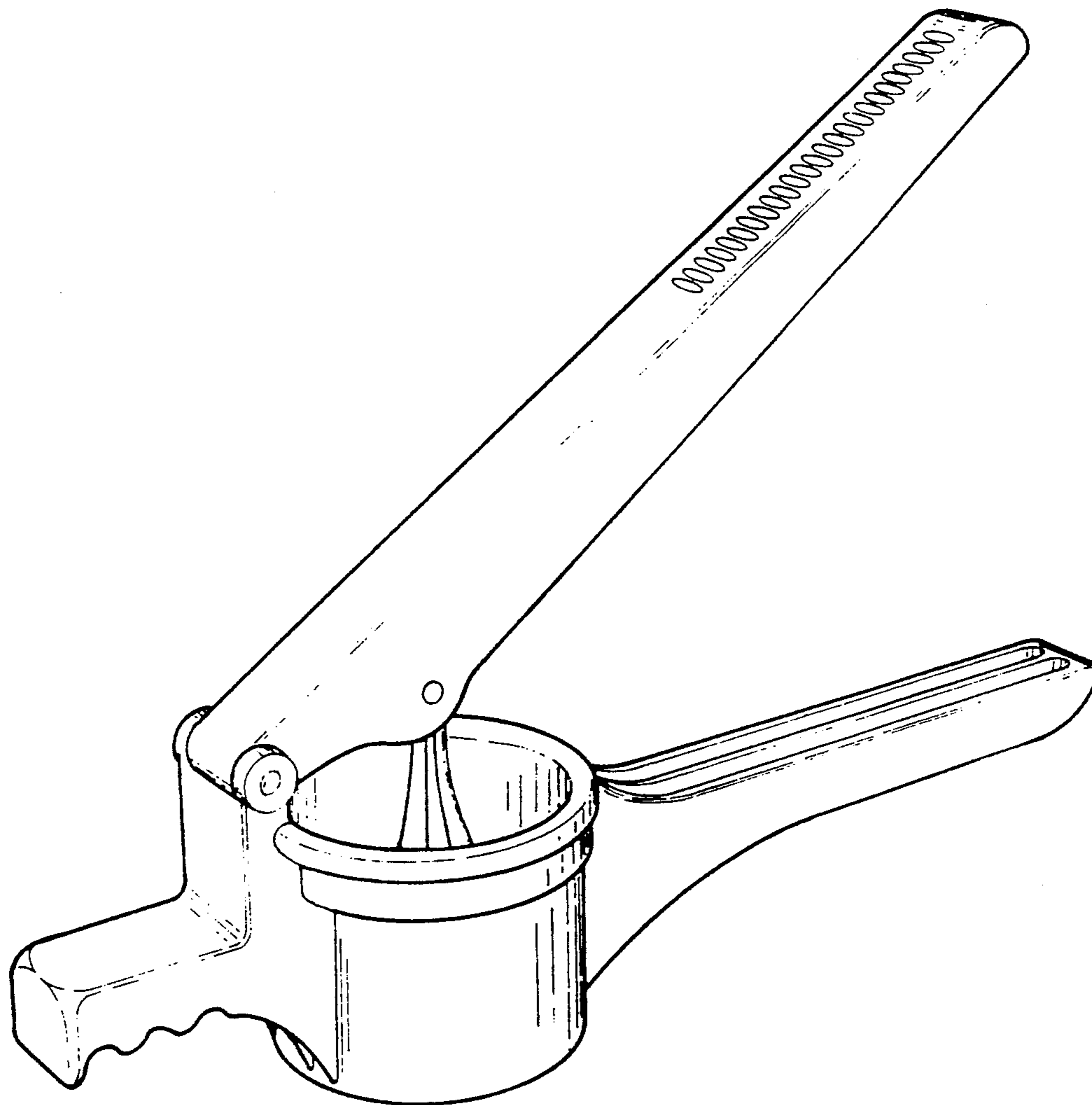
FIG. 3 is a right side elevational view thereof;

FIG. 4 is a left side elevational view thereof;

FIG. 5 is a front elevational view thereof;

FIG. 6 is a rear elevational view thereof; and,

FIG. 7 is a top, front, right side elevational view thereof.



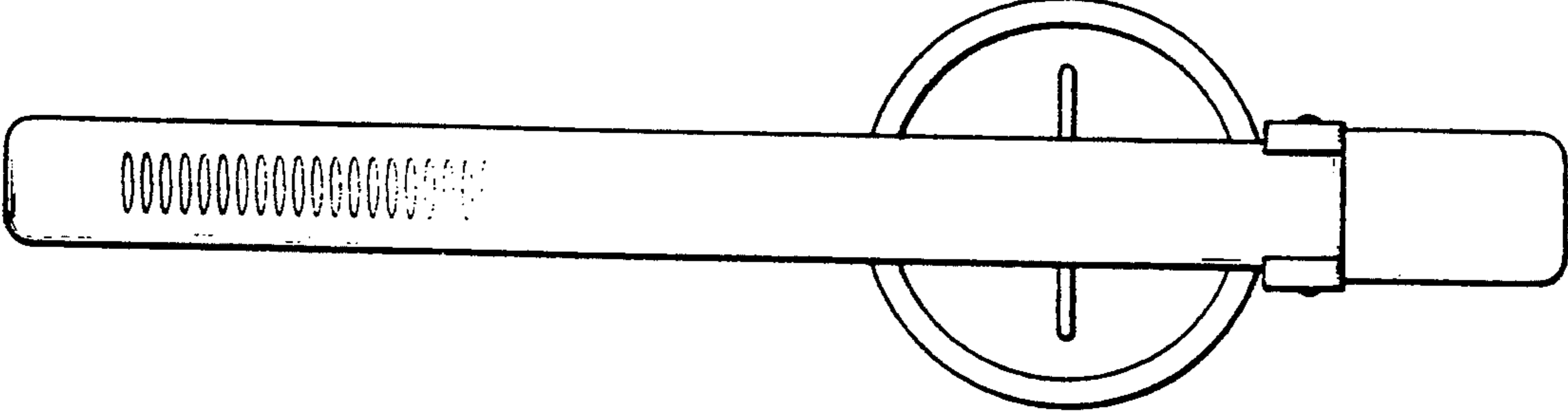


FIG 1

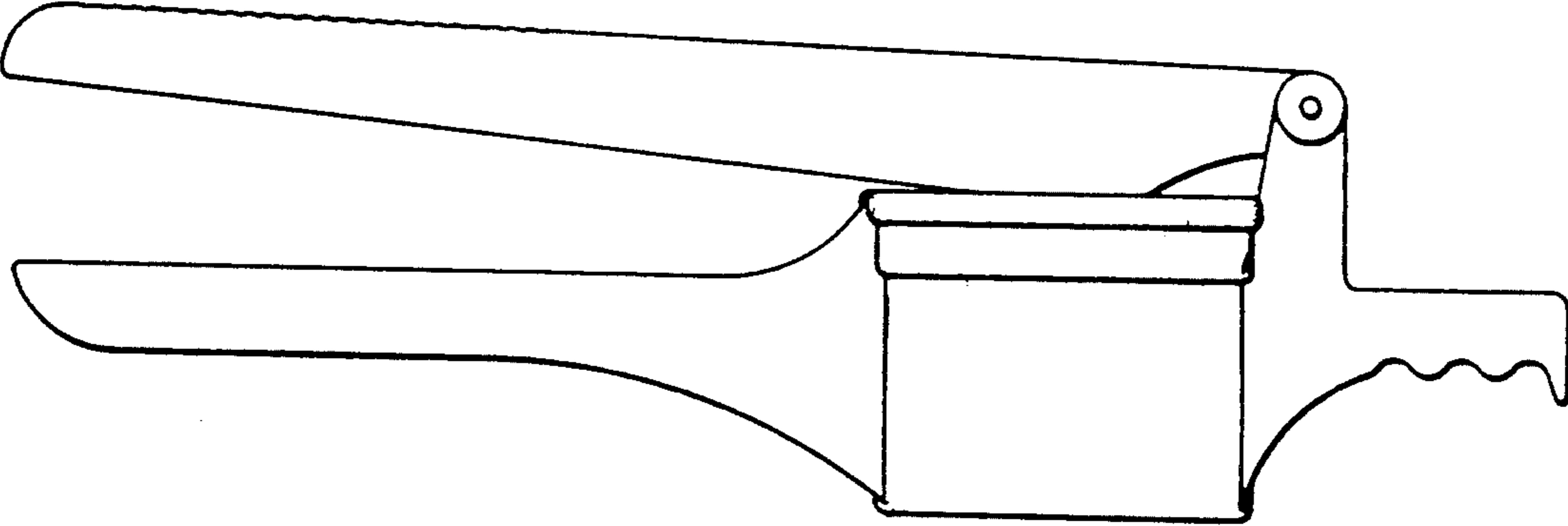


FIG 4

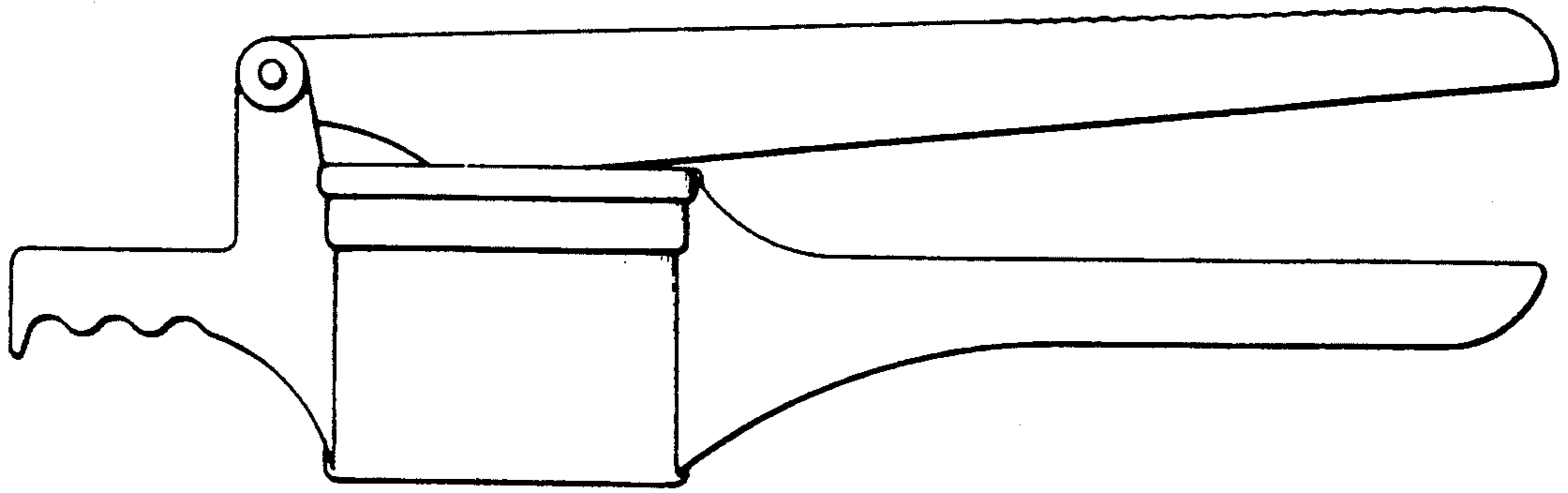


FIG 3

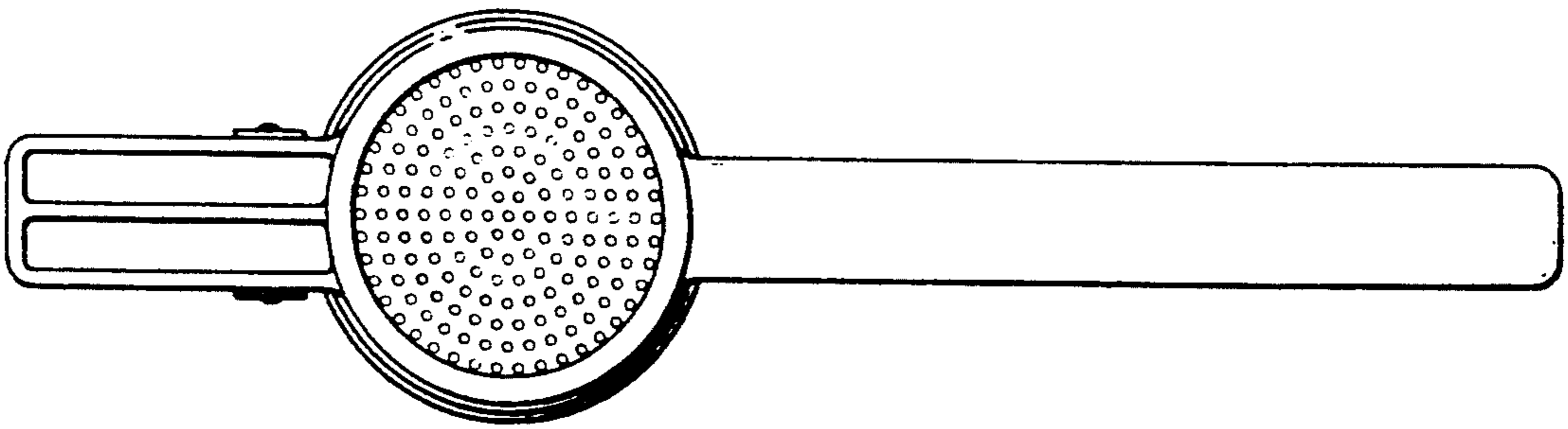


FIG 2

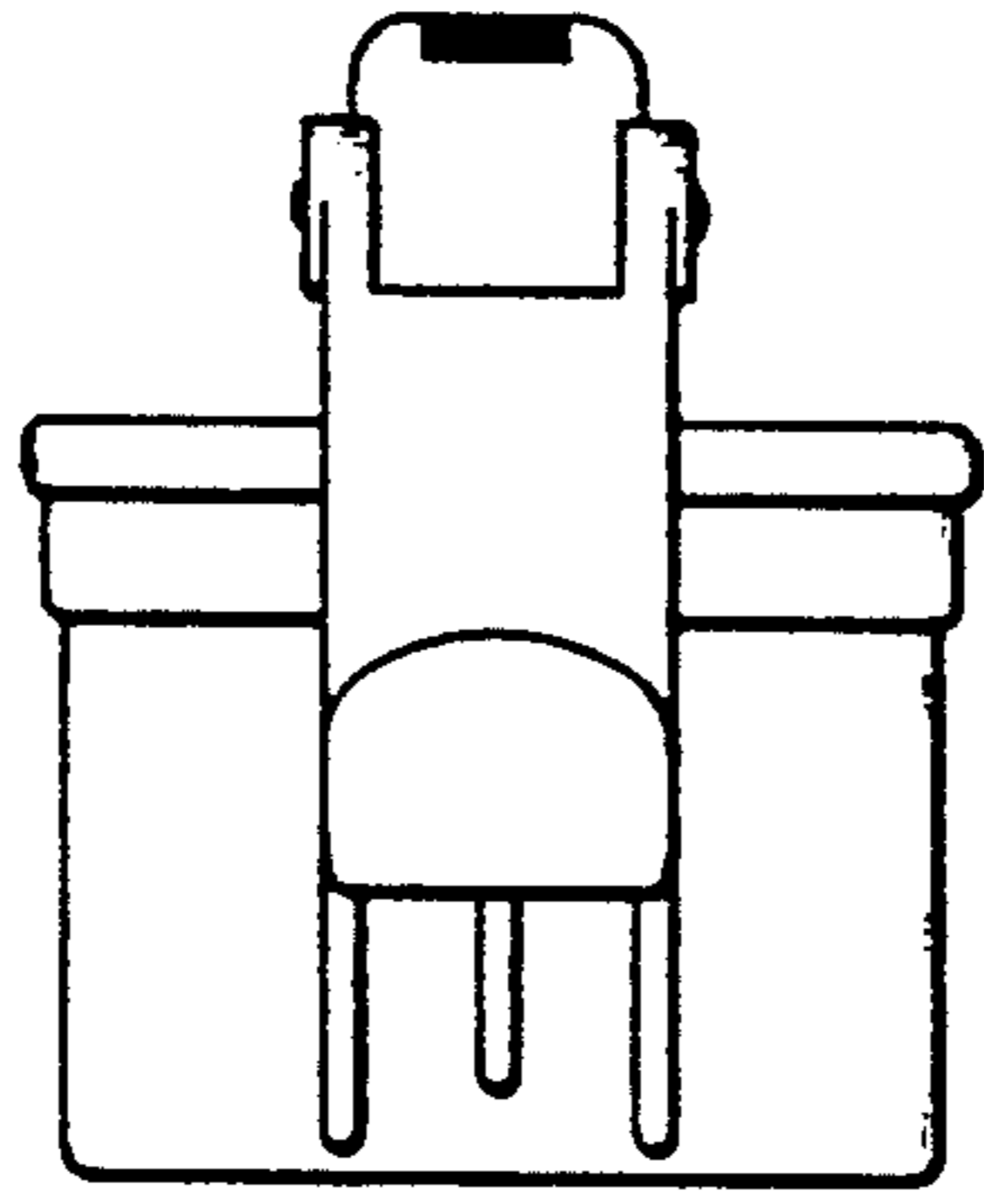


FIG 5

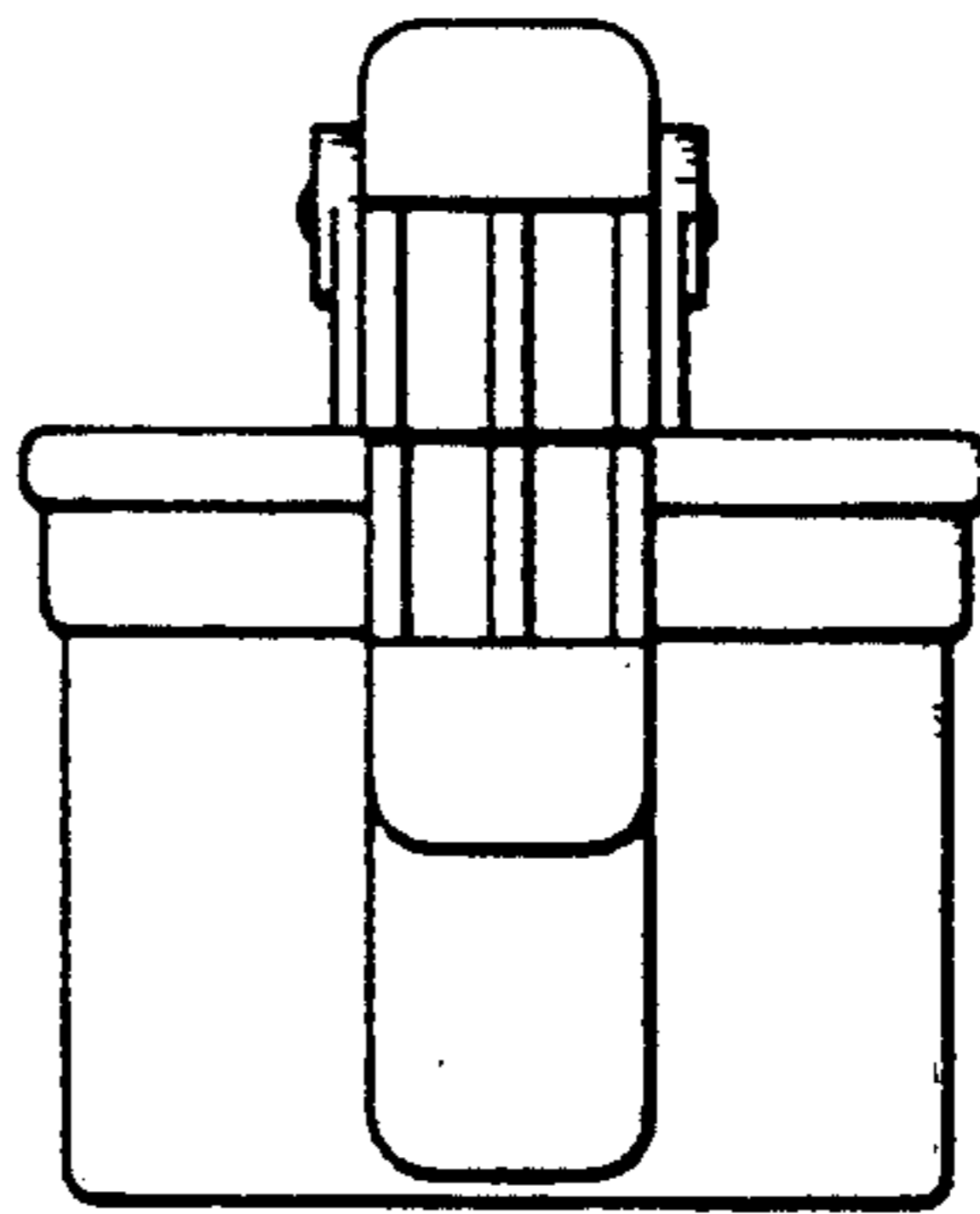


FIG 6

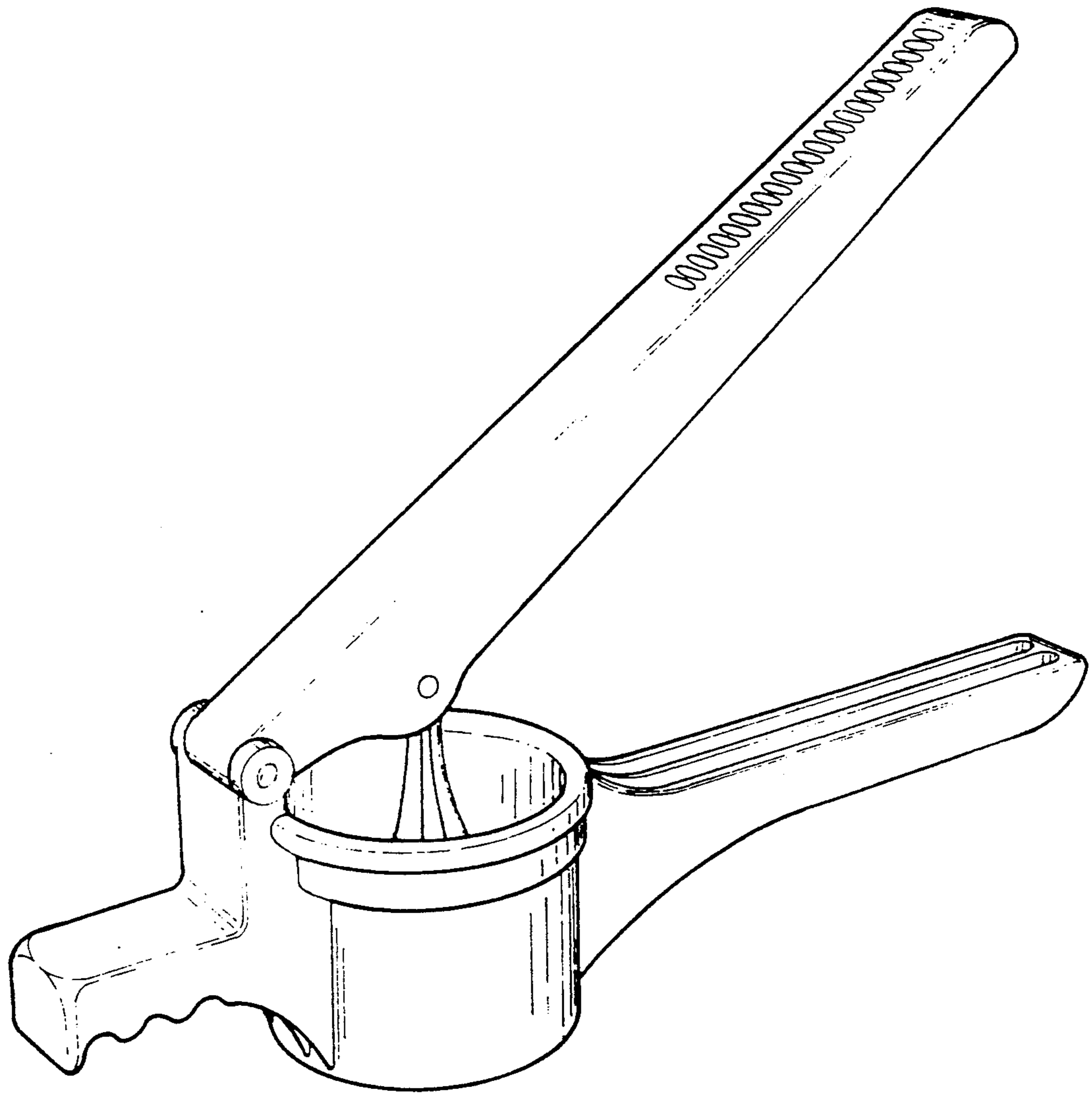


FIG 7