



US00D342647S

United States Patent [19]

[11] Patent Number: **Des. 342,647**

Kastanek

[45] Date of Patent: **** Dec. 28, 1993**

[54] **DRINKING STRAW DISPENSER**

[76] Inventor: **Allan Kastanek, 344 Taft St. NE., Minneapolis, Minn. 55413**

[**] Term: **14 Years**

[21] Appl. No.: **874,423**

[22] Filed: **Apr. 27, 1992**

[52] U.S. Cl. **D7/635; D6/517**

[58] Field of Search **D7/635; D6/515-517; 211/49.1; 222/191, 197, 287; 312/42, 45, 72-73**

[56] **References Cited**

U.S. PATENT DOCUMENTS

D. 254,530	3/1980	Armstrong	D7/635
D. 305,588	1/1990	Behringer	D6/517
D. 305,848	2/1990	Marqua et al.	D7/635
D. 317,384	6/1991	Powell	D6/515
2,556,599	6/1951	Raymond	312/73

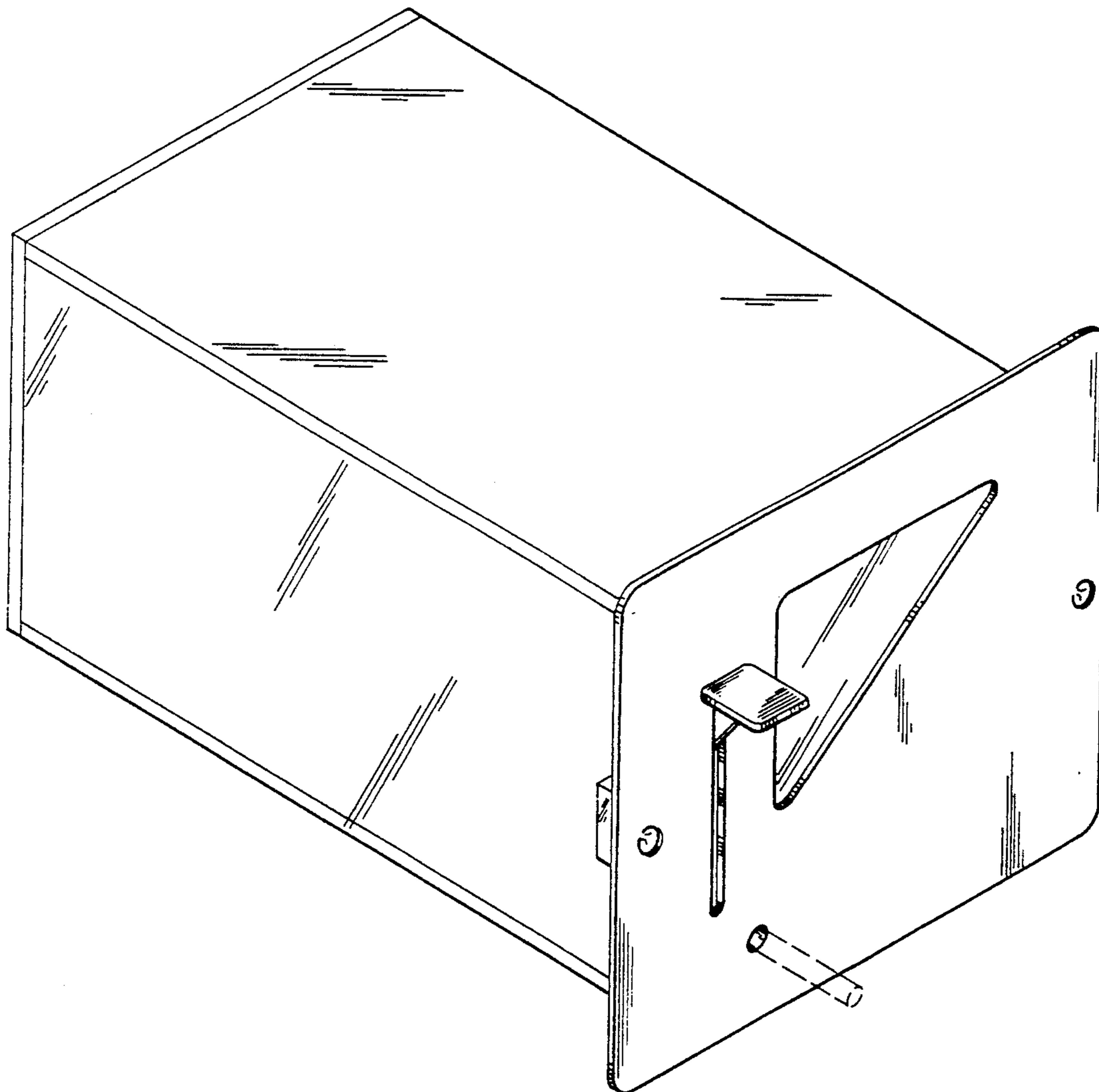
Primary Examiner—Brian N. Vinson
Attorney, Agent, or Firm—Douglas L. Tschida

[57] **CLAIM**

The ornamental design for a drinking straw dispenser, as shown and described.

DESCRIPTION

FIG. 1 is a top, front, and left side perspective view of a drinking straw dispenser showing my new design, the broken-line disclosure of a straw is for illustrative purposes only and forms no part of the claimed design; FIG. 2 is a front elevational view thereof; FIG. 3 is a rear elevational view thereof; FIG. 4 is a left side elevational view thereof, the right side being a mirror image of that shown; FIG. 5 is a top plan view thereof, the bottom being a mirror image of that shown; and, FIG. 6 is a top, front, and left side exploded and partially cut away view thereof.



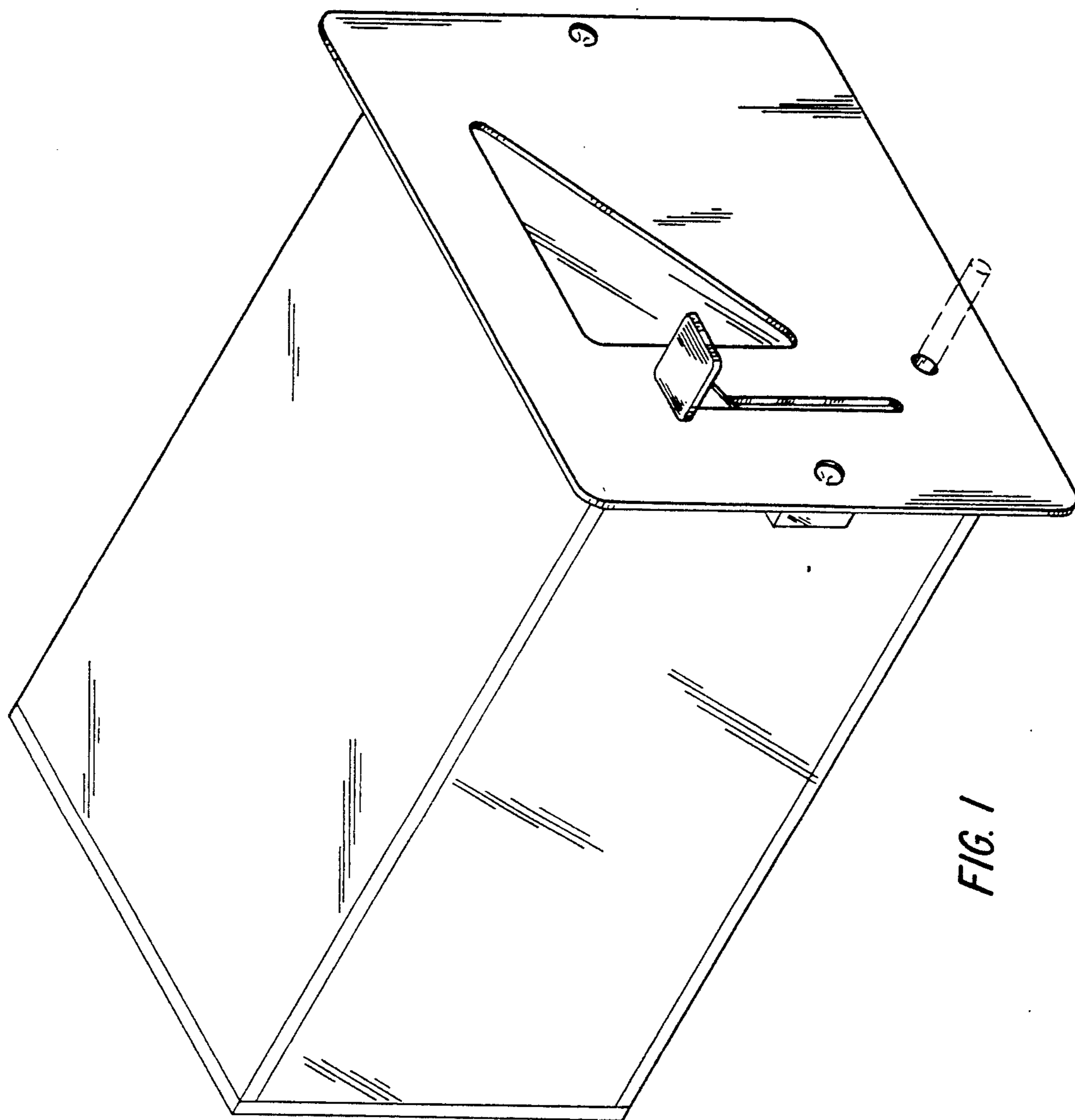


FIG. 1

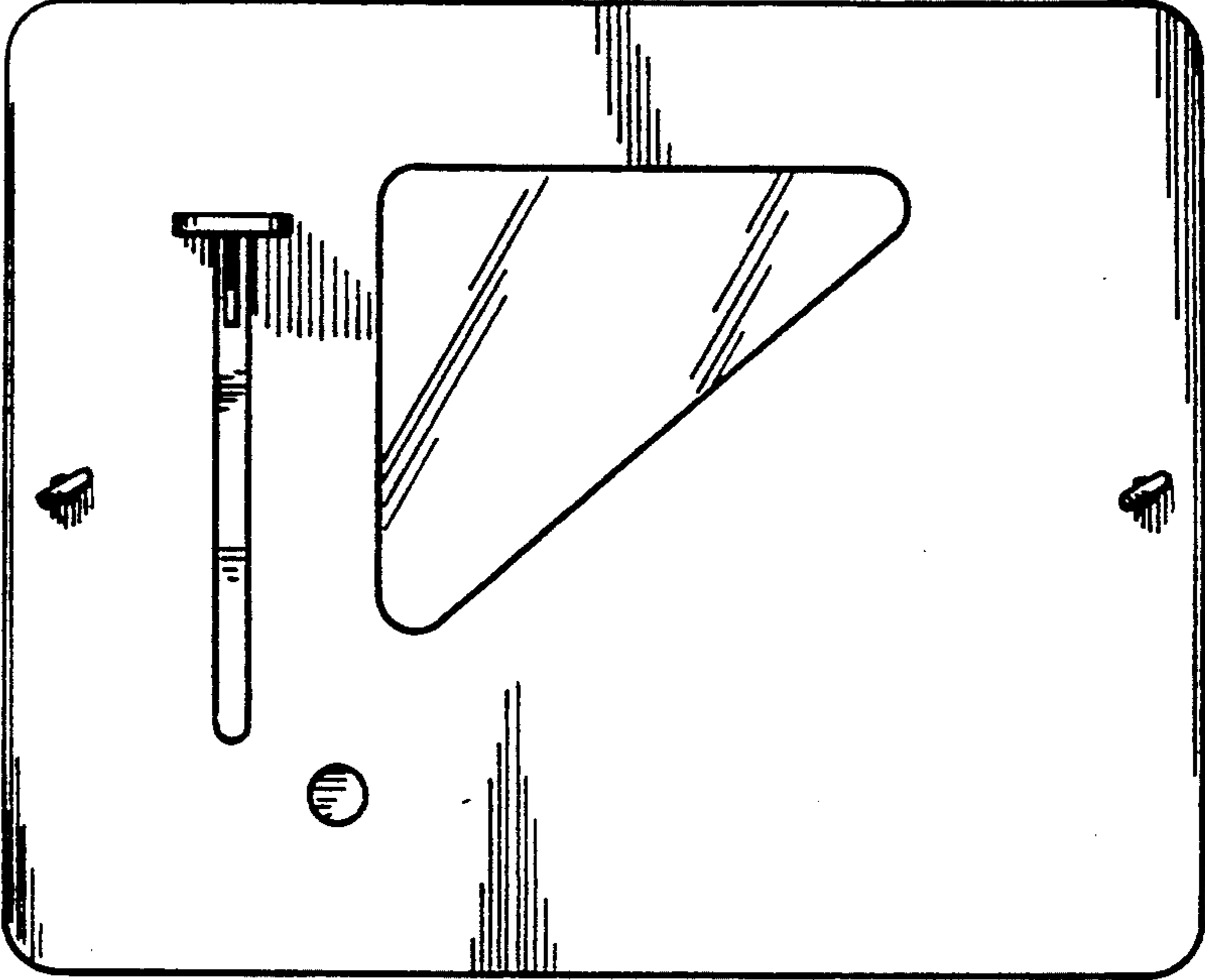


FIG. 2

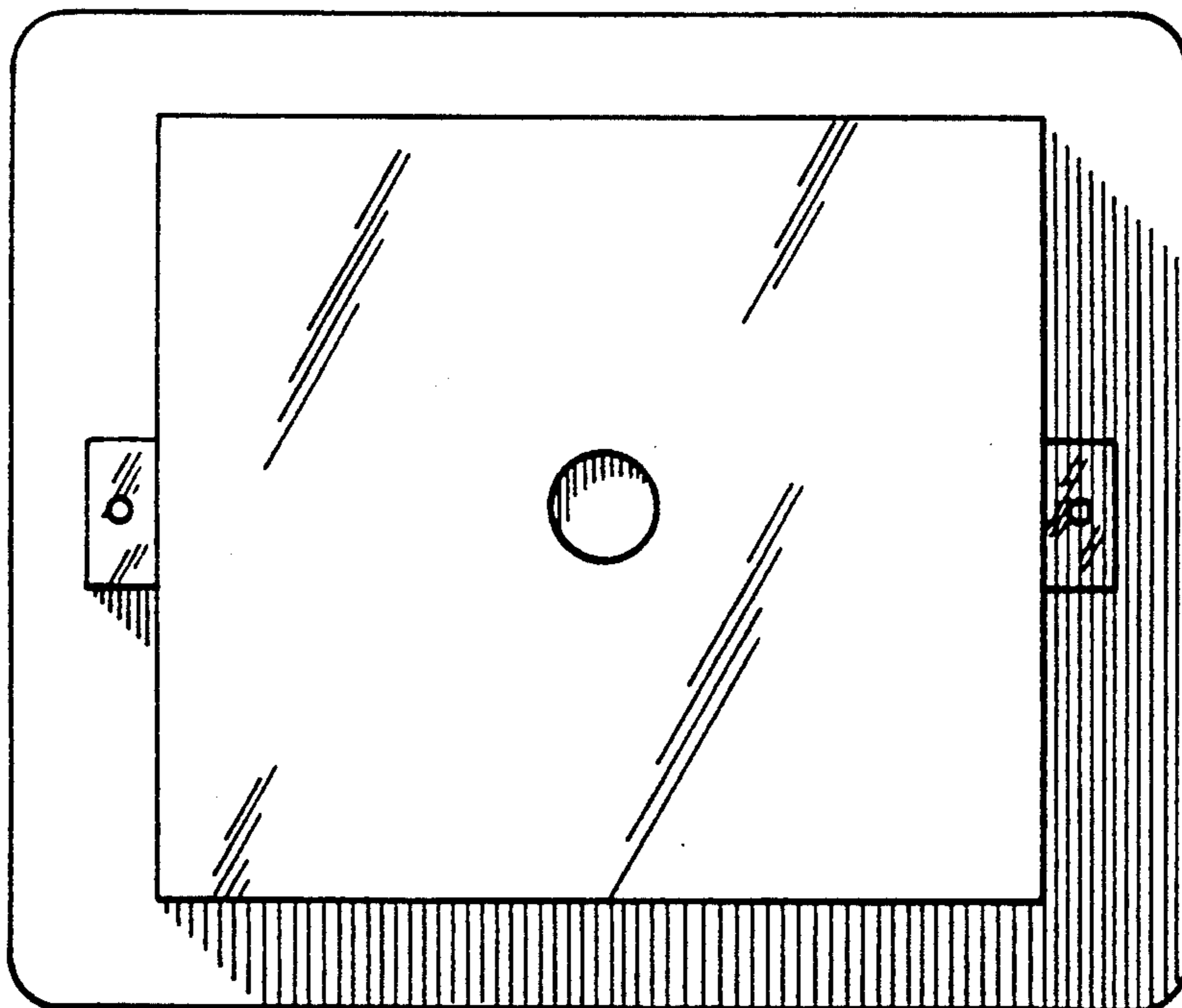


FIG. 3

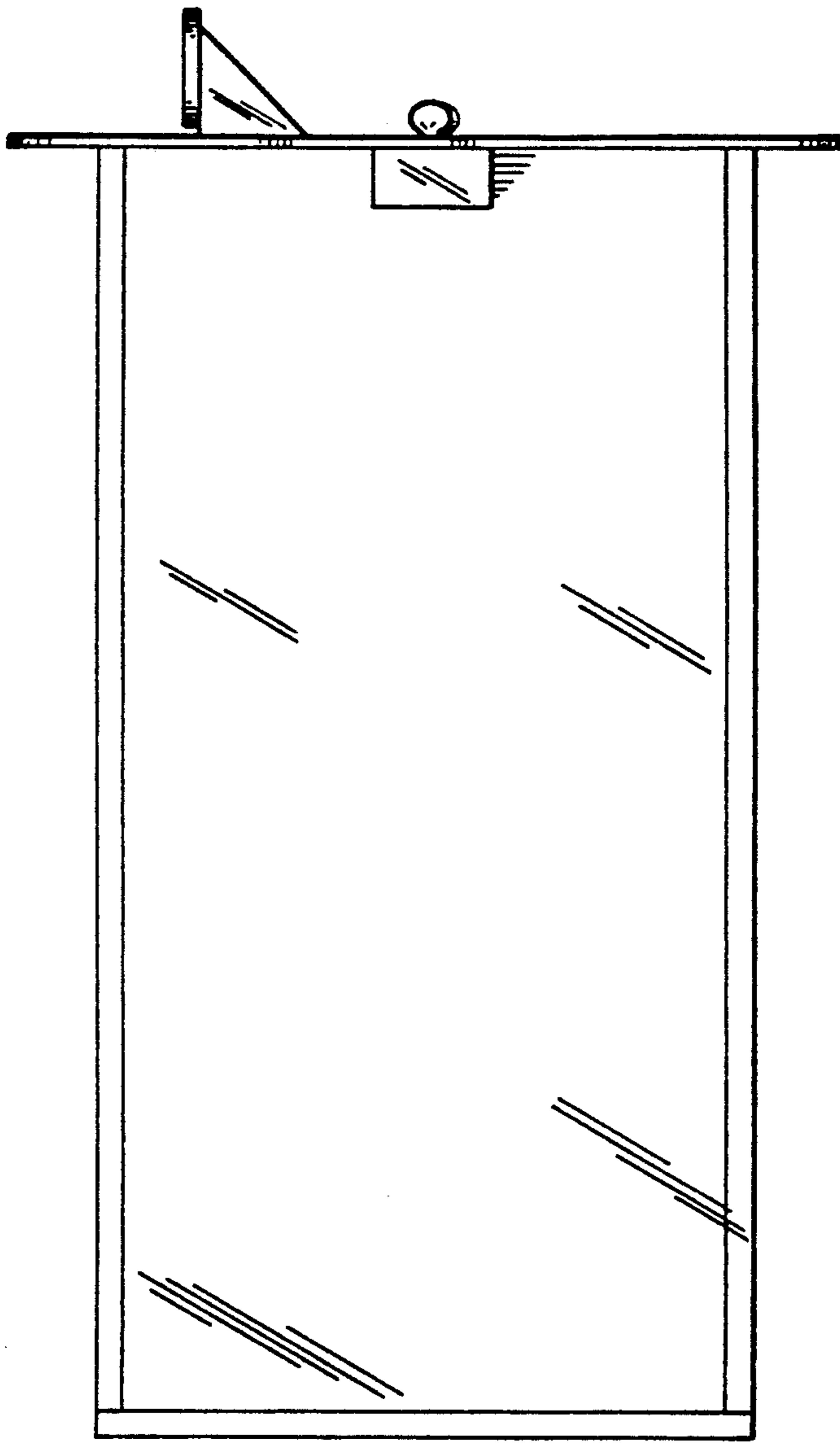


FIG. 4

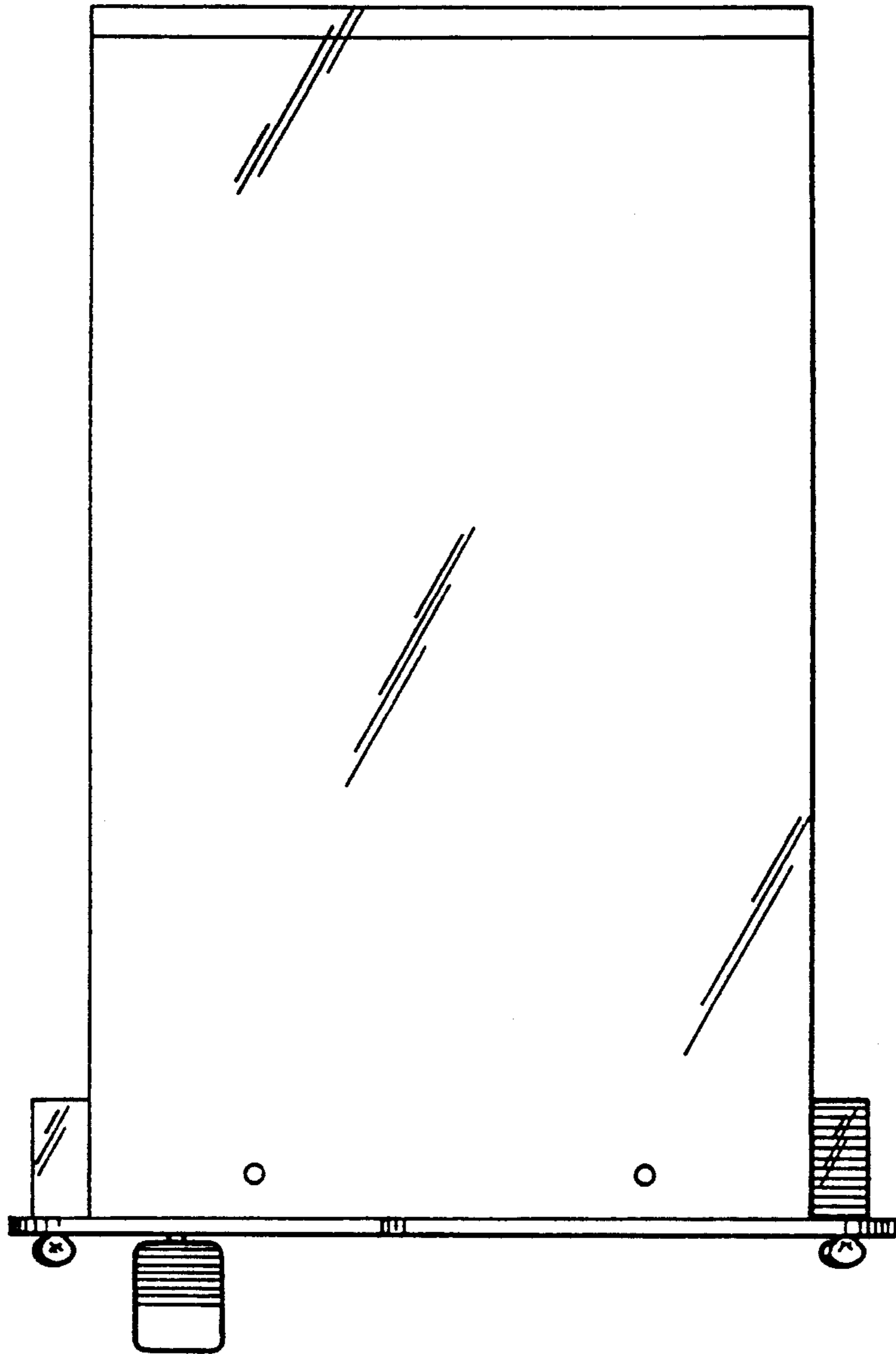


FIG. 5

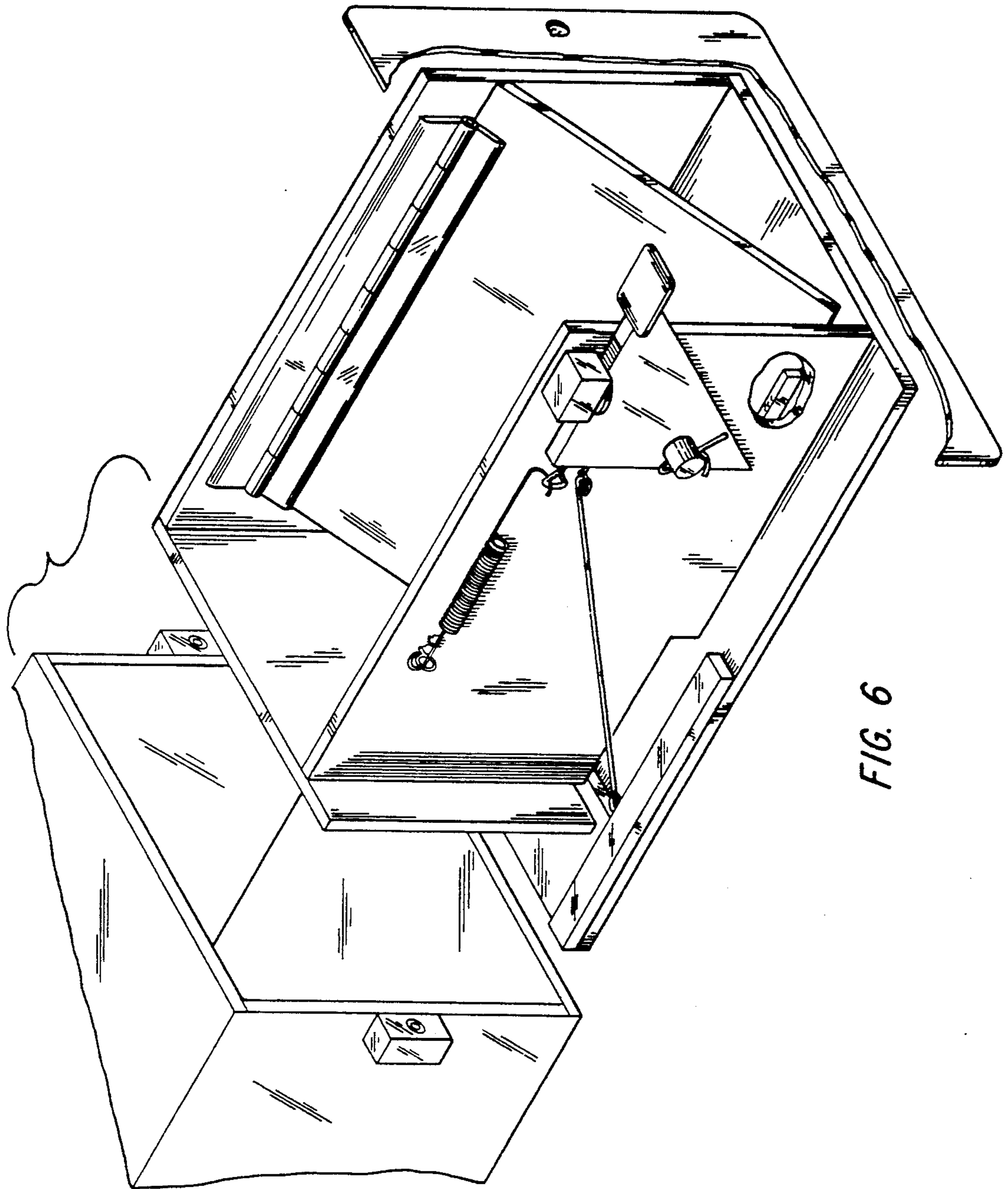


FIG. 6