



US00D342644S

# United States Patent [19]

[11] Patent Number: **Des. 342,644**

Forestal et al.

[45] Date of Patent: **\*\* Dec. 28, 1993**

## [54] SNACK TRAY

## DESCRIPTION

[76] Inventors: **Robert J. Forestal**, 2714 Coldstream La., Indianapolis, Ind. 46220; **H. Terrell Kays**, 4321 N. 500 E., Danville, Ind. 46122

[\*\*] Term: **14 Years**

[21] Appl. No.: **849,321**

[22] Filed: **Mar. 9, 1992**

[52] U.S. Cl. .... **D7/553; D7/549; D7/550**

[58] Field of Search ..... **D7/546, 551, 549, 550, D7/553, 555, 566, 554; 220/574, 23.83, 771**

## [56] References Cited

### U.S. PATENT DOCUMENTS

D. 50,324	2/1917	Schupp .....	D7/549
D. 115,730	7/1939	Brandes et al. ....	D7/549
D. 147,543	9/1947	Farmer .....	D7/549
D. 168,727	2/1953	Barnett et al. ....	D7/546
D. 174,479	4/1955	Bosch .....	D7/549
D. 182,396	4/1958	Berry .....	D7/551 X
D. 201,696	7/1965	Zorn .....	D7/549
D. 216,869	3/1970	Britt .....	D7/553
529,526	11/1894	Gaskill .....	D7/549 X
3,670,938	6/1972	Brocato .....	220/771
4,867,331	9/1989	Task .....	D7/553 X

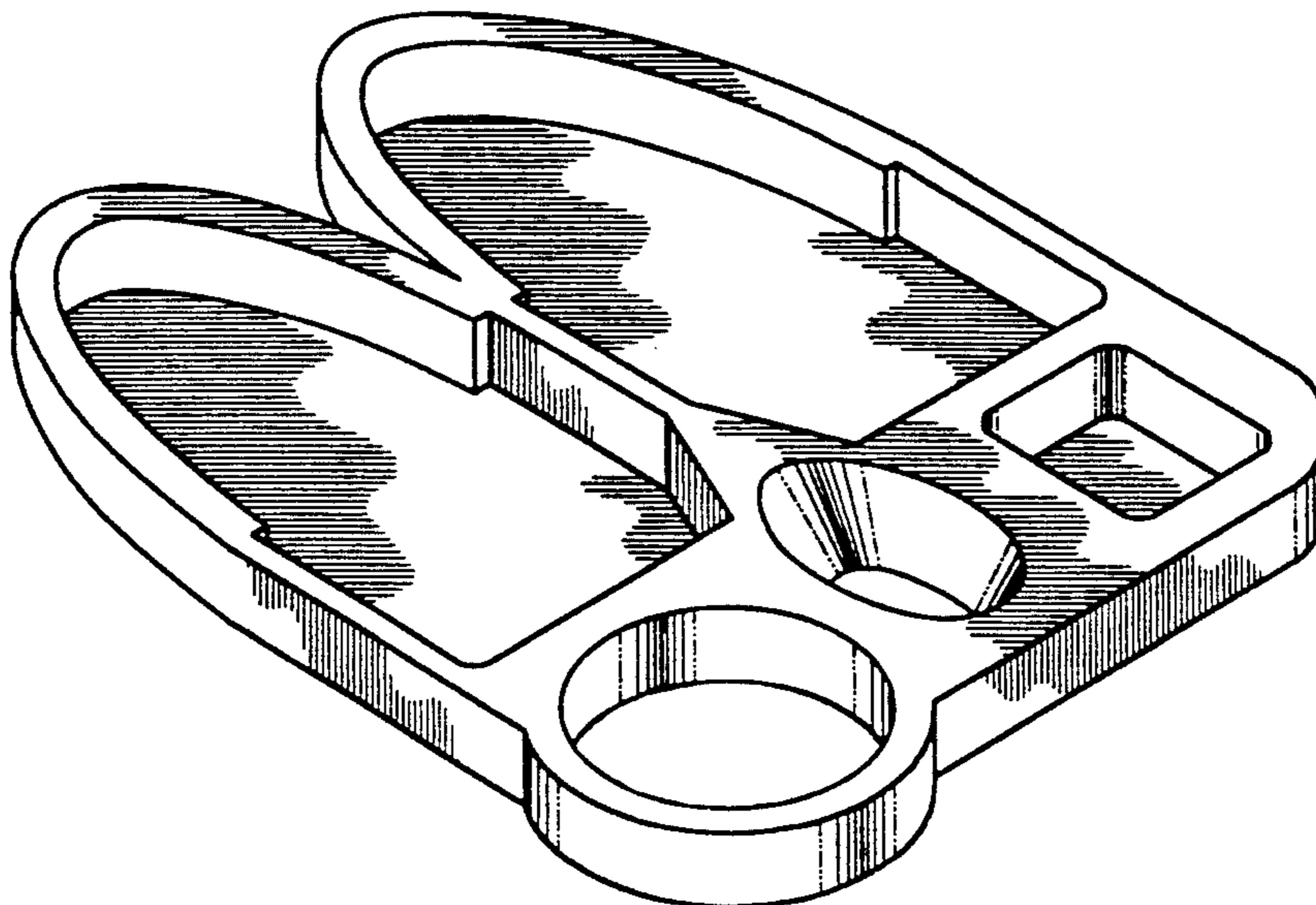
Primary Examiner—Alan P. Douglas

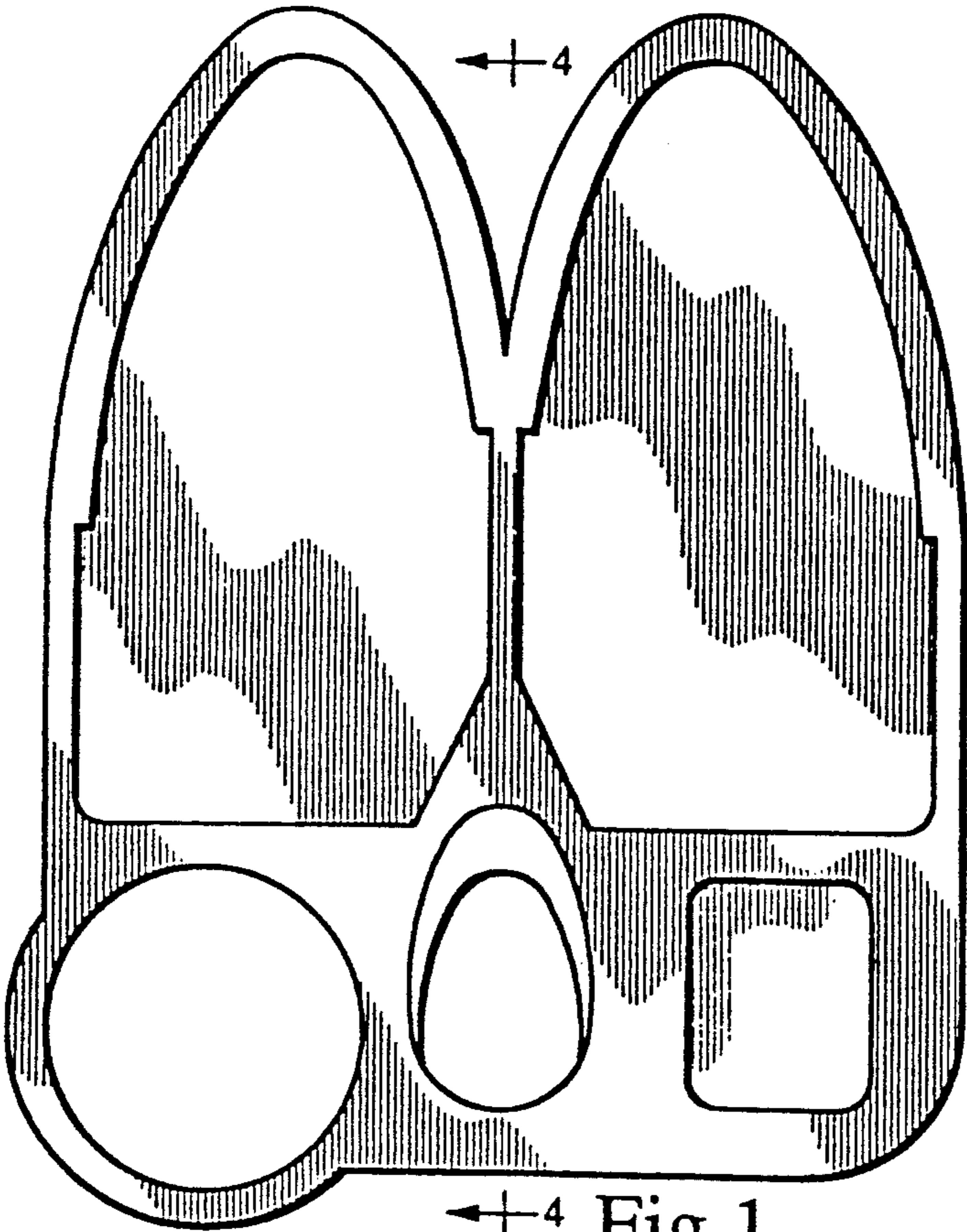
Assistant Examiner—M. N. Pandozzi

## [57] CLAIM

The ornamental design for snack tray, as shown and described.

FIG. 1 is a plan view of a snack tray, according to the first embodiment of our design;  
 FIG. 2 is a bottom view of the tray of FIG. 1;  
 FIG. 3 is a side view of the tray according to the first embodiment;  
 FIG. 4 is a longitudinal cross-sectional view of the tray of the first embodiment, and illustrating its use by a broken line representation of the end portion of a user's thumb;  
 FIG. 5 is a side view of the tray of the first embodiment showing the side of the tray opposite the side shown in FIG. 3;  
 FIG. 6 is an end view showing the rear face of the tray of the first embodiment;  
 FIG. 7 is an end view showing the front face of the tray of the first embodiment;  
 FIG. 8 is a pictorial view of the tray of the first embodiment;  
 FIG. 9 is a plan view of a snack tray, according to the second embodiment of our design;  
 FIG. 10 is a side view of the tray according to the second embodiment;  
 FIG. 11 is a longitudinal cross-sectional view of the tray of the second embodiment, and illustrating its use by a broken line representation of the end portion of a user's thumb;  
 FIG. 12 is a bottom view of the tray of FIG. 9;  
 FIG. 13 is a side view of the tray of the second embodiment showing the side of the tray opposite the side shown in FIG. 10;  
 FIG. 14 is an end view showing the rear face of the tray of the second embodiment;  
 FIG. 15 is an end view showing the front face of the tray of the second embodiment; and,  
 FIG. 16 is a pictorial view of the tray of the second embodiment.  
 The broken line showing of a thumb in FIG. 4 and FIG. 11 is for illustrative purposes only and forms no part of the claimed design.





← 4 Fig. 1

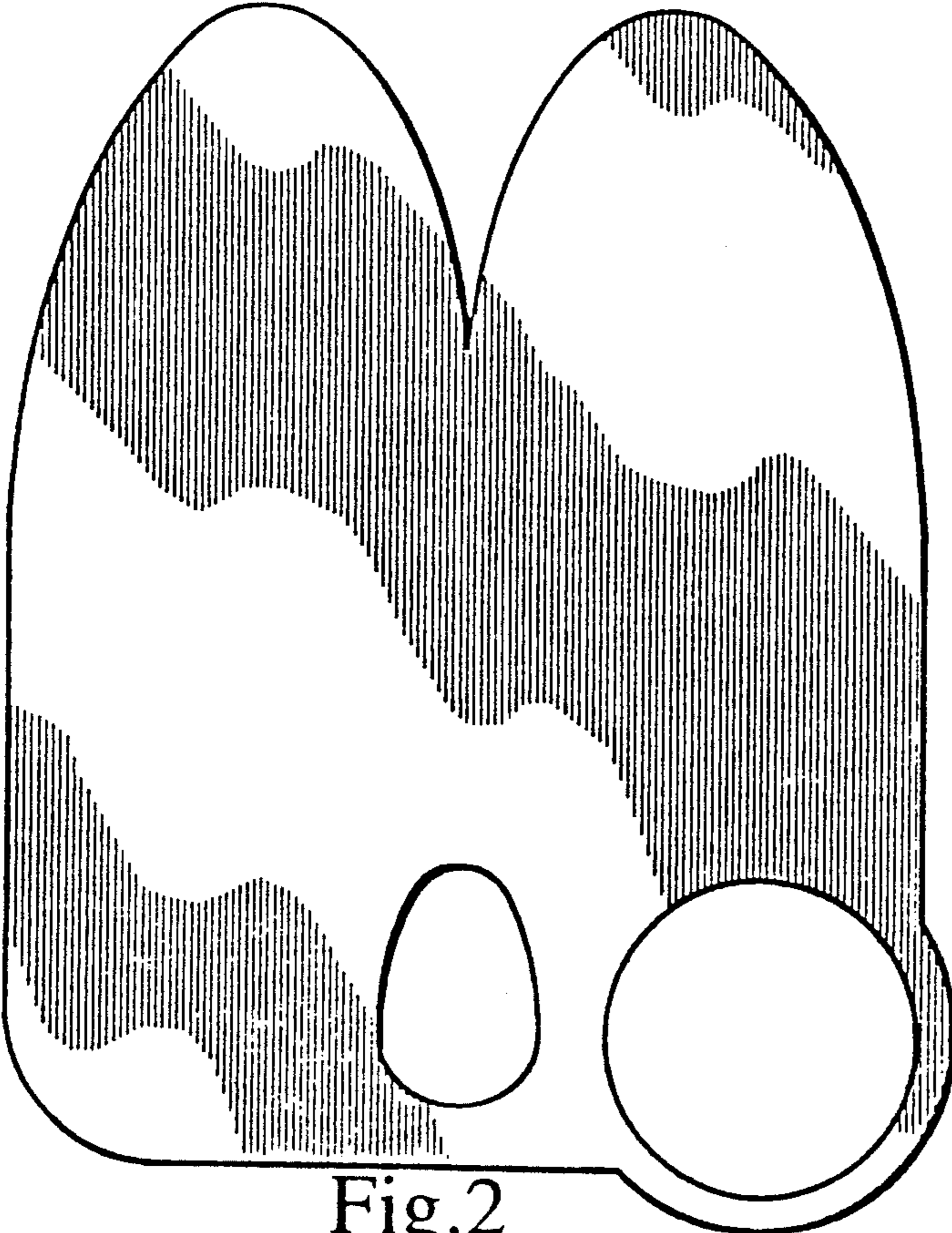


Fig. 2

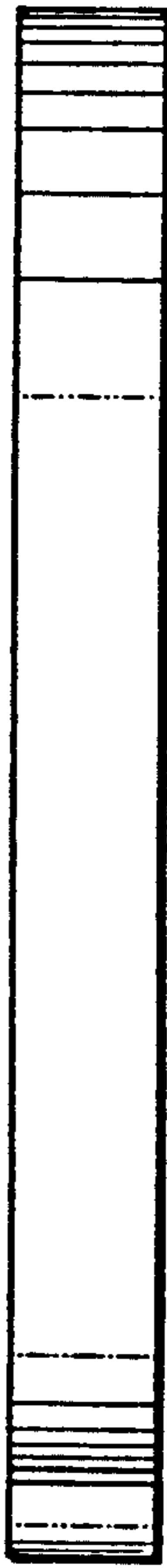


Fig. 3

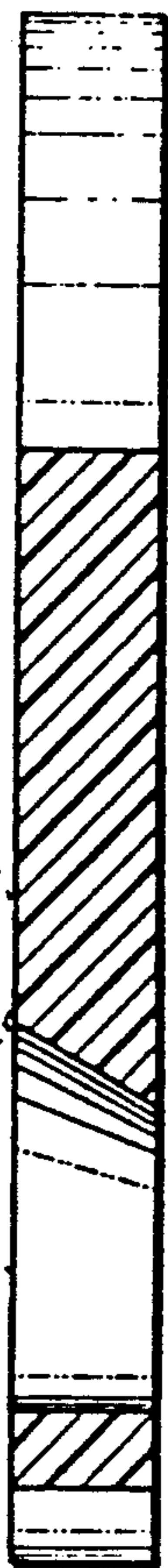


Fig. 4

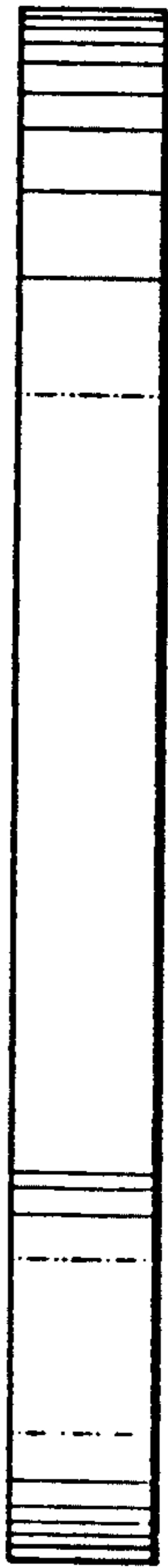


Fig. 5



Fig.6



Fig.7

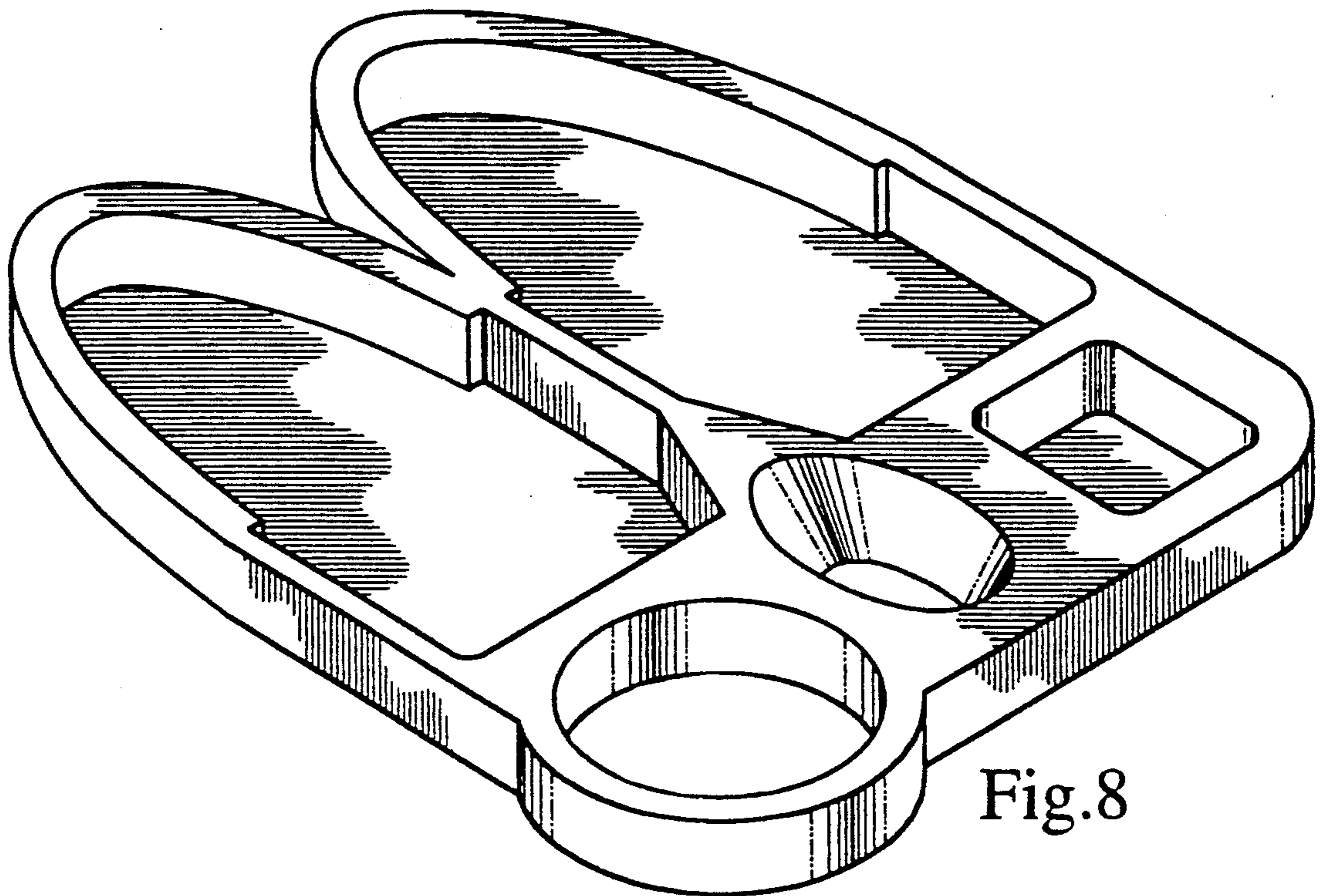
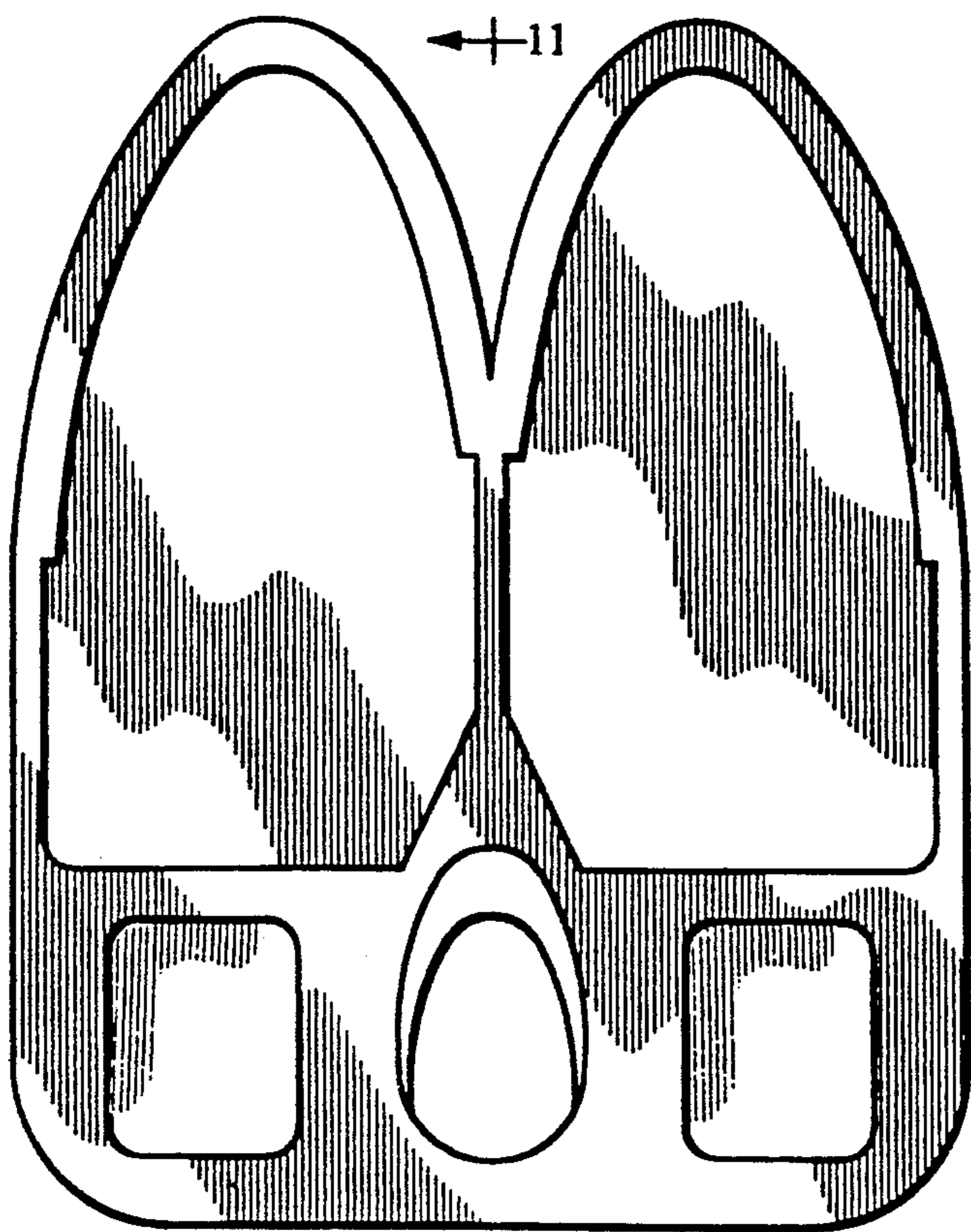


Fig.8



←+11 Fig.9



Fig.10

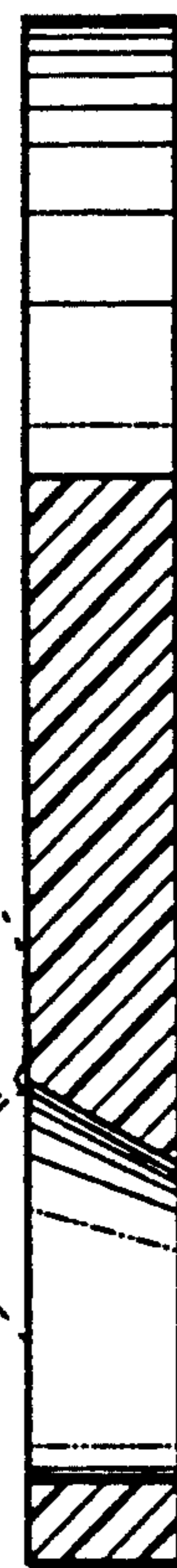


Fig.11

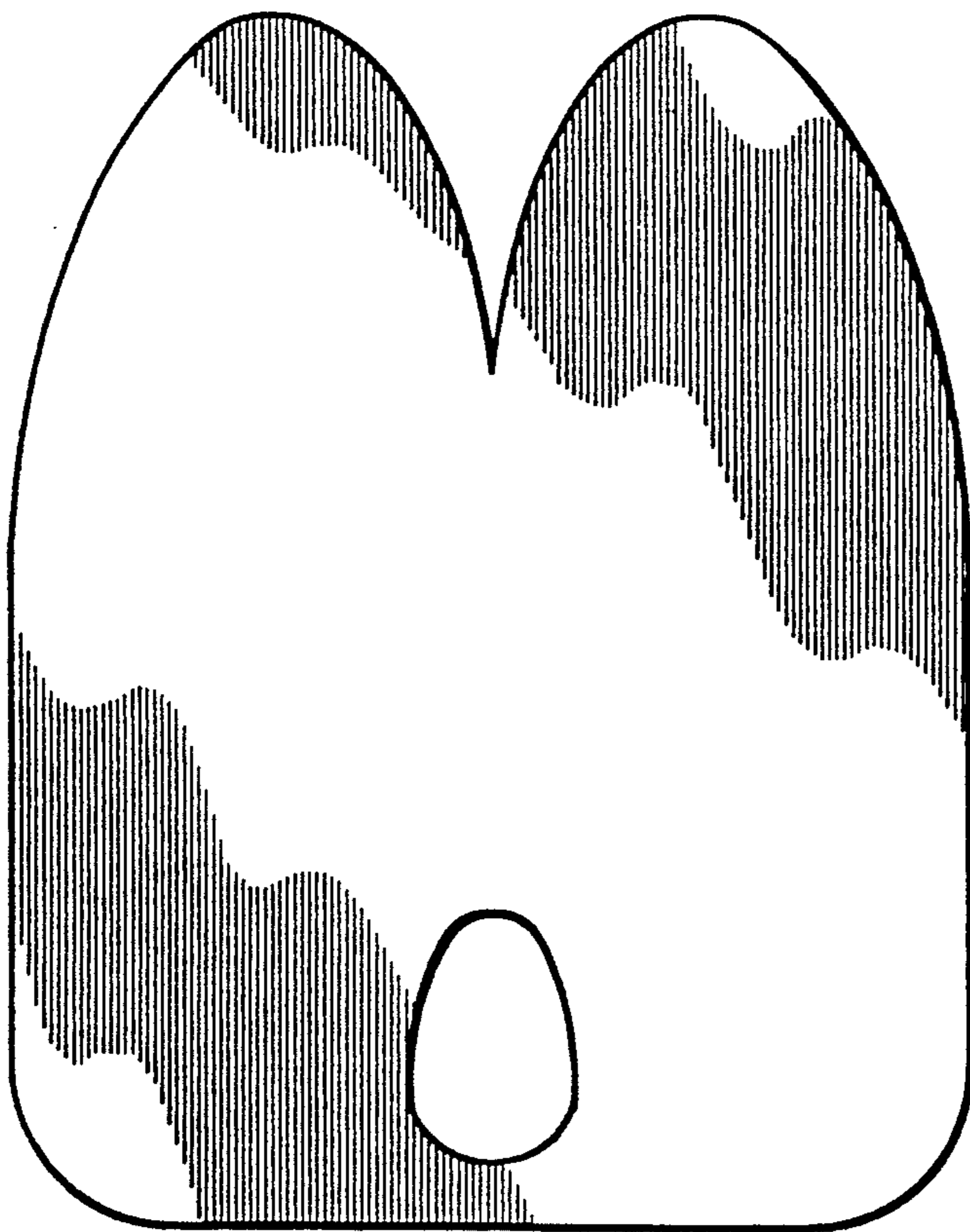


Fig.12

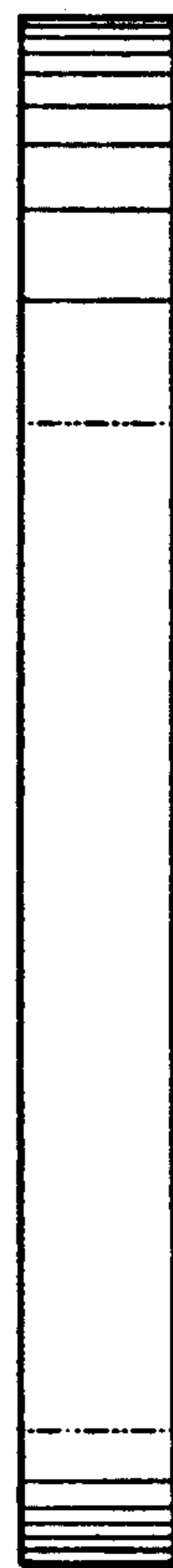


Fig.13

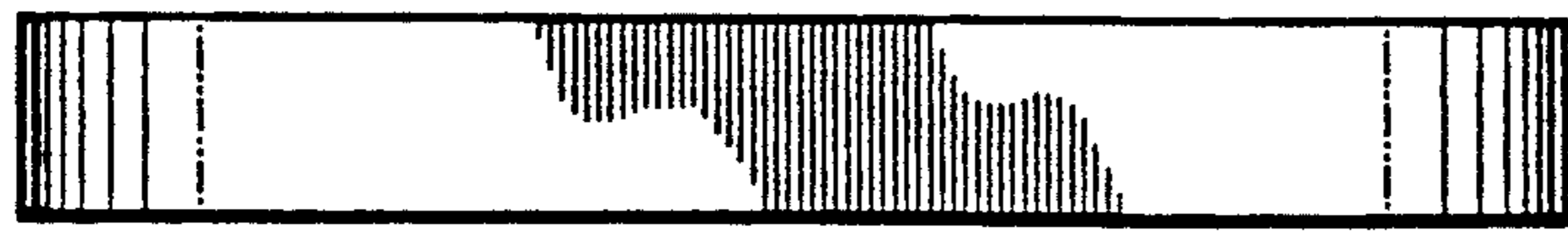


Fig.14



Fig.15

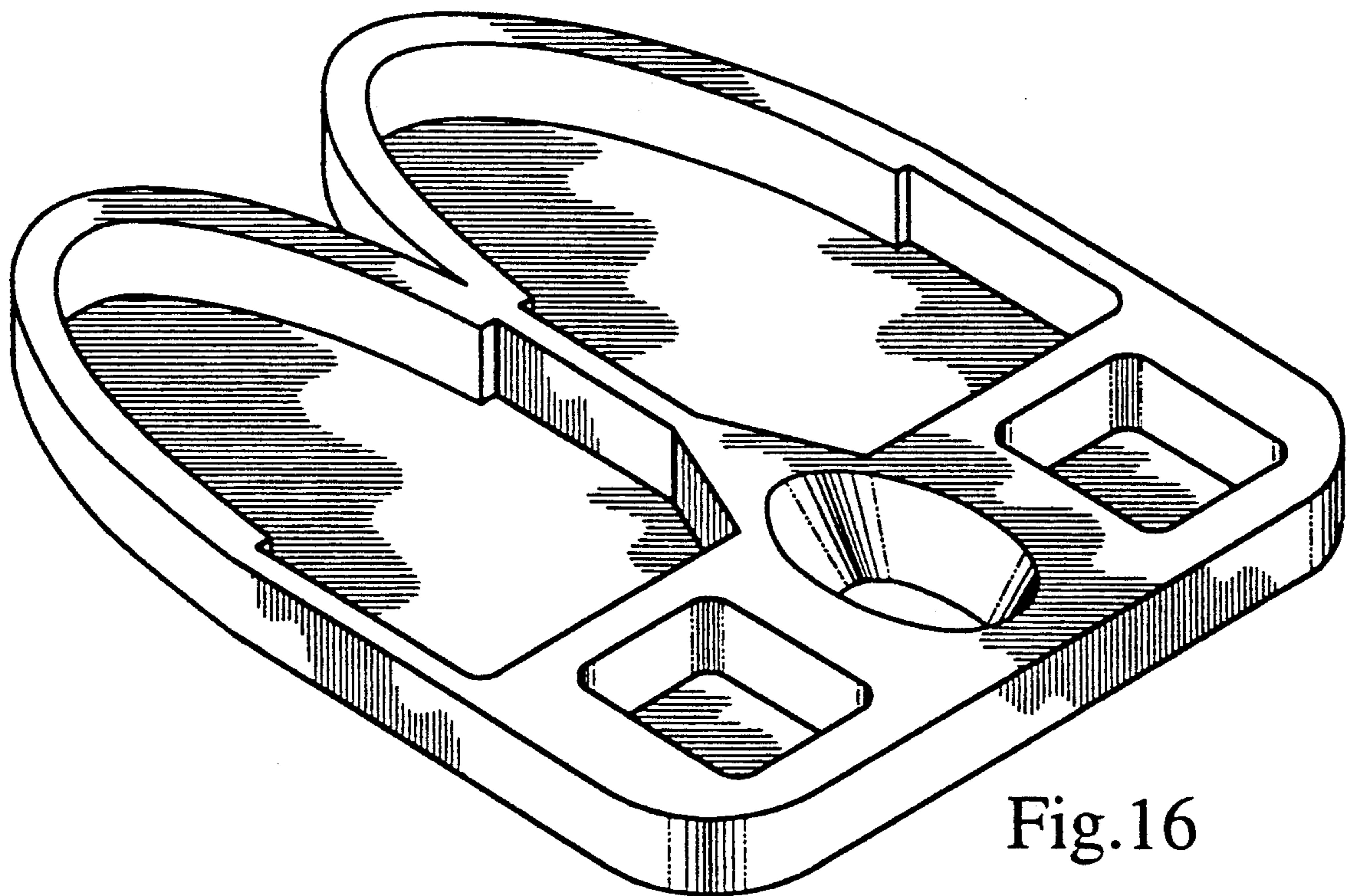


Fig.16