



US00D342640S

United States Patent [19]
Lebowitz

[11] **Patent Number: Des. 342,640**
[45] **Date of Patent: ** Dec. 28, 1993**

[54] **TEA KETTLE**

- [75] **Inventor:** Samuel Lebowitz, Brooklyn, N.Y.
- [73] **Assignee:** Wilton Industries, Inc., Woodridge, Ill.
- [**] **Term:** 14 Years
- [21] **Appl. No.:** 875,968
- [22] **Filed:** Apr. 29, 1992
- [52] **U.S. Cl.** D7/322; D7/321; D7/312
- [58] **Field of Search** D7/300, 302, 312, 316, D7/317, 318, 320, 319, 321, 322, 320; D9/307; 222/470, 471, 465.1, 475.1; 99/279, 295, 306

[56] **References Cited**

U.S. PATENT DOCUMENTS

D. 251,173	2/1979	Umanoff	D7/321
D. 308,797	6/1990	Ancona et al.	D7/322
D. 322,734	12/1991	Solomon	D7/312 X
D. 336,006	6/1993	Lebowitz	D7/322
3,218,435	11/1965	Mandziak	D7/312 X
3,396,876	8/1968	Workman et al.	D7/317 X

OTHER PUBLICATIONS

- Teapot in National Housewares, HFD May 2, 1988 p. 135.
- Solid Copper Captains Kettle, Gifts and Decorative Accessories Apr. 1974, p. 89.
- 3 Quart Whittling tea kettle, HFD Apr. 7, 1986 p. 124.

Primary Examiner—Alan P. Douglas
Assistant Examiner—M. N. Pandozzi
Attorney, Agent, or Firm—James P. Ryther

[57] **CLAIM**

The ornamental design for tea kettle, as shown and described.

DESCRIPTION

FIG. 1 is a perspective view of the invention;
 FIG. 2 is a top plan view of the invention shown in FIG. 1;
 FIG. 3 is a side elevational view of the invention shown in FIG. 1;
 FIG. 4 is a bottom plan view of the invention shown in FIG. 1;
 FIG. 5 is a front elevational view of the invention; and,
 FIG. 6 is a rear elevational view of the invention.

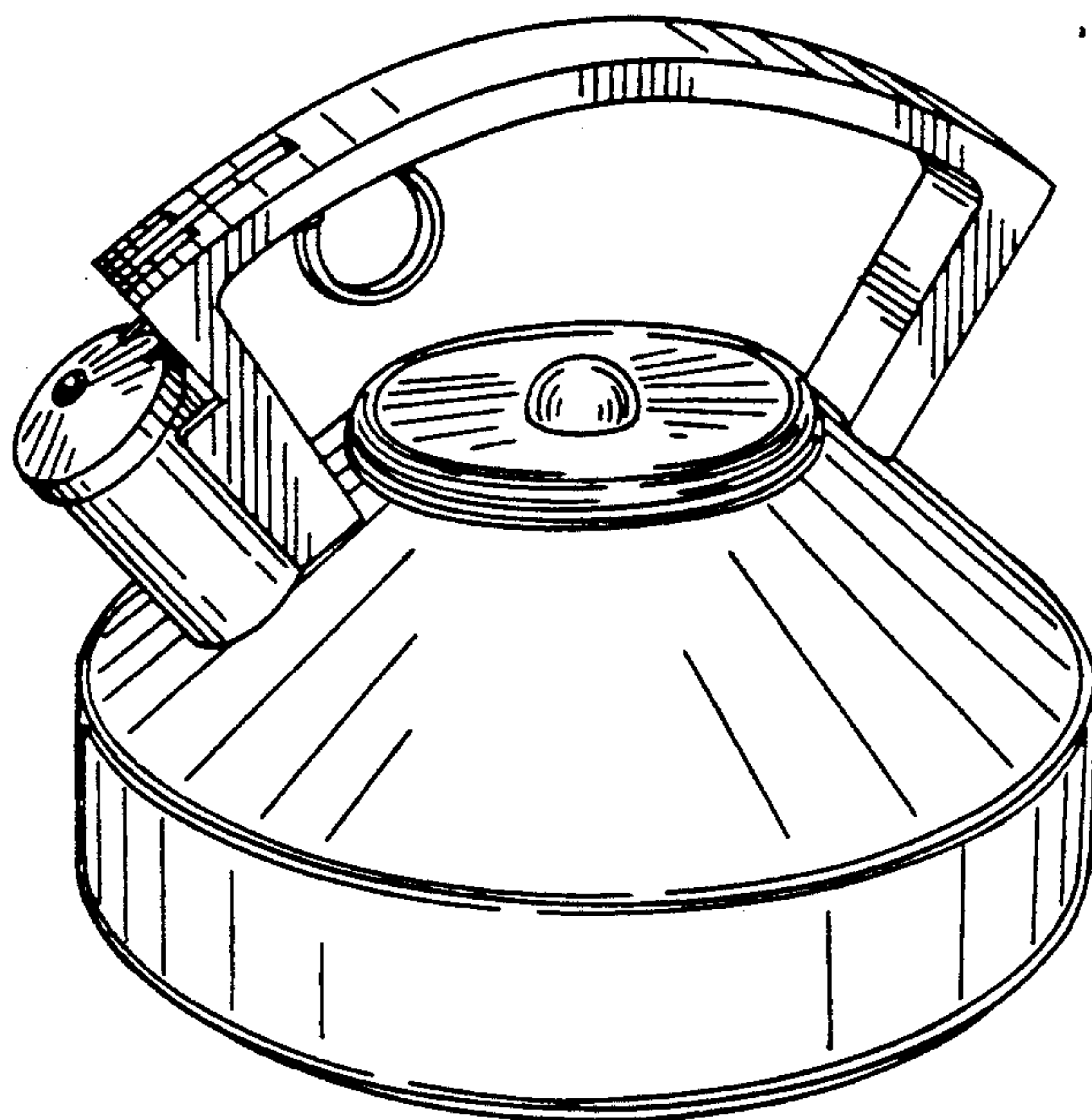


FIG. 1

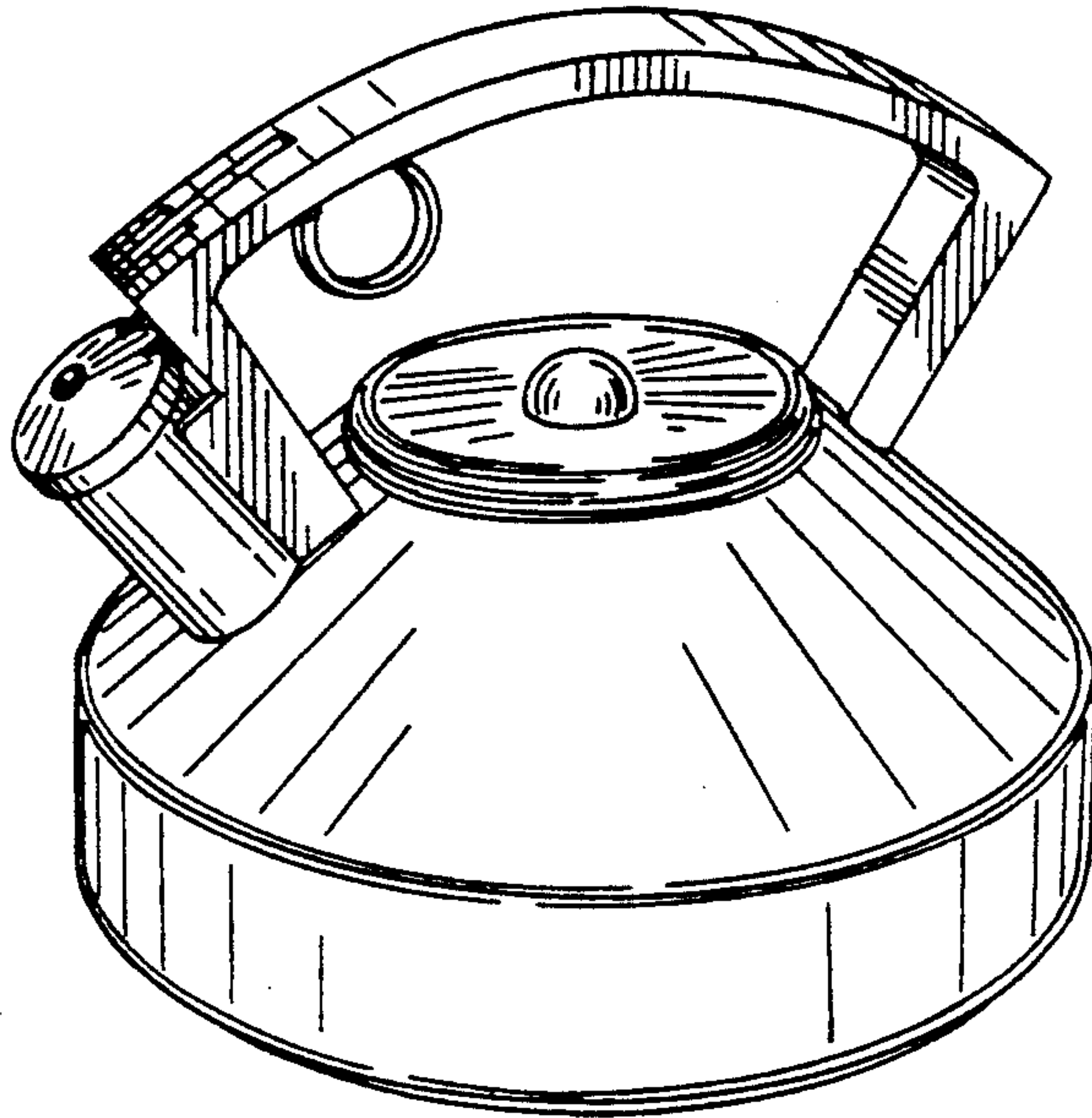


FIG. 2

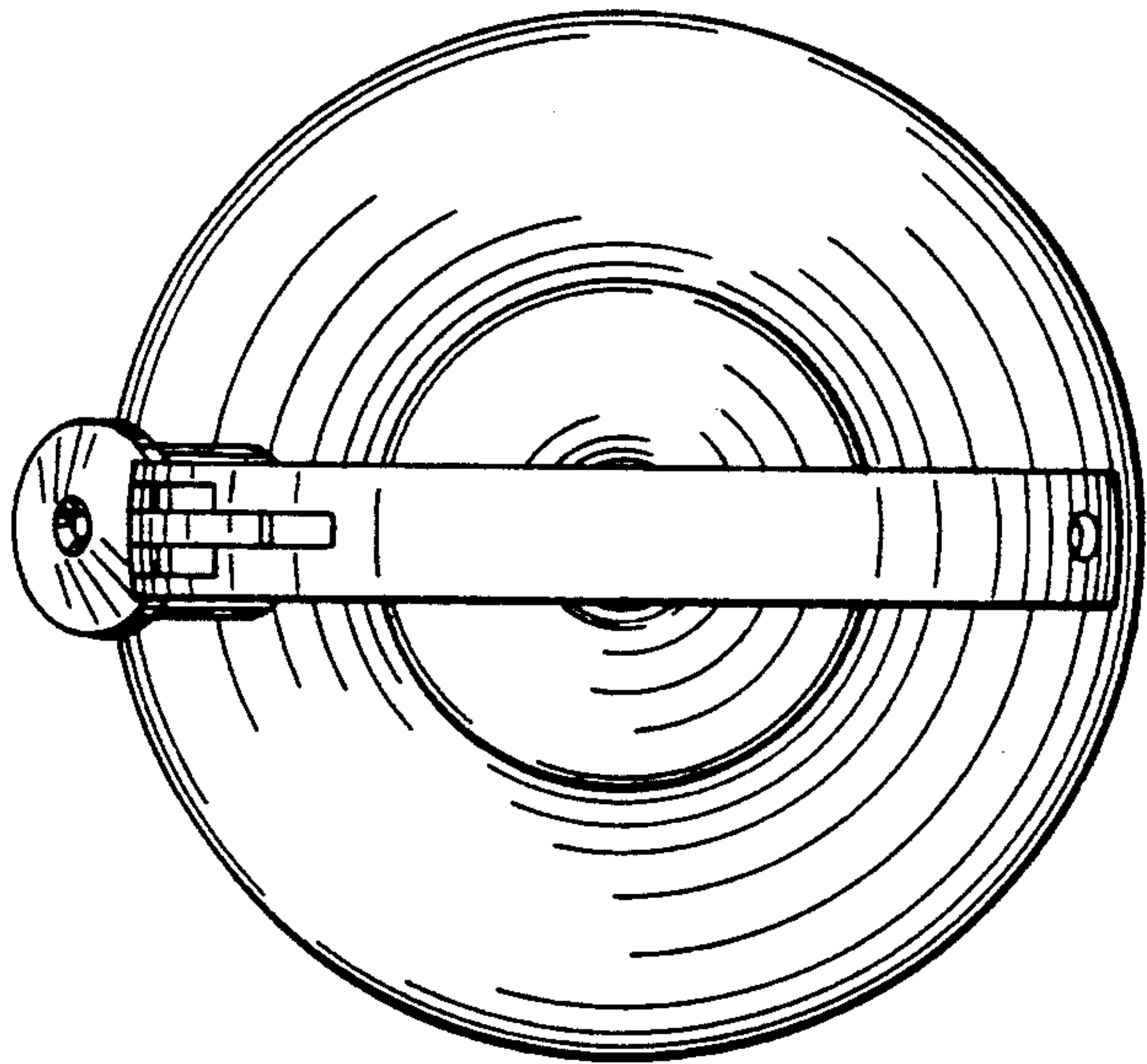


FIG. 3

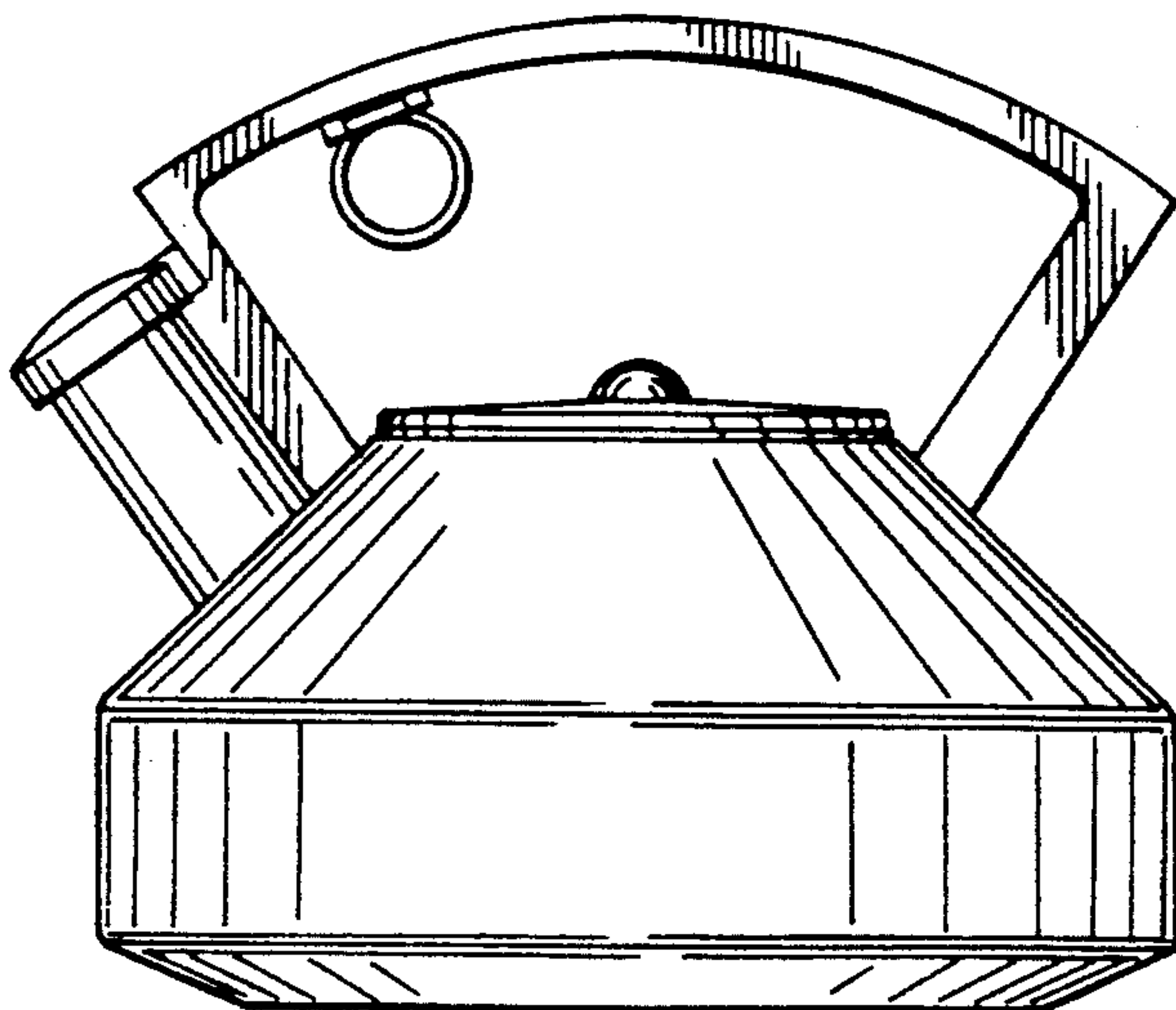


FIG.4

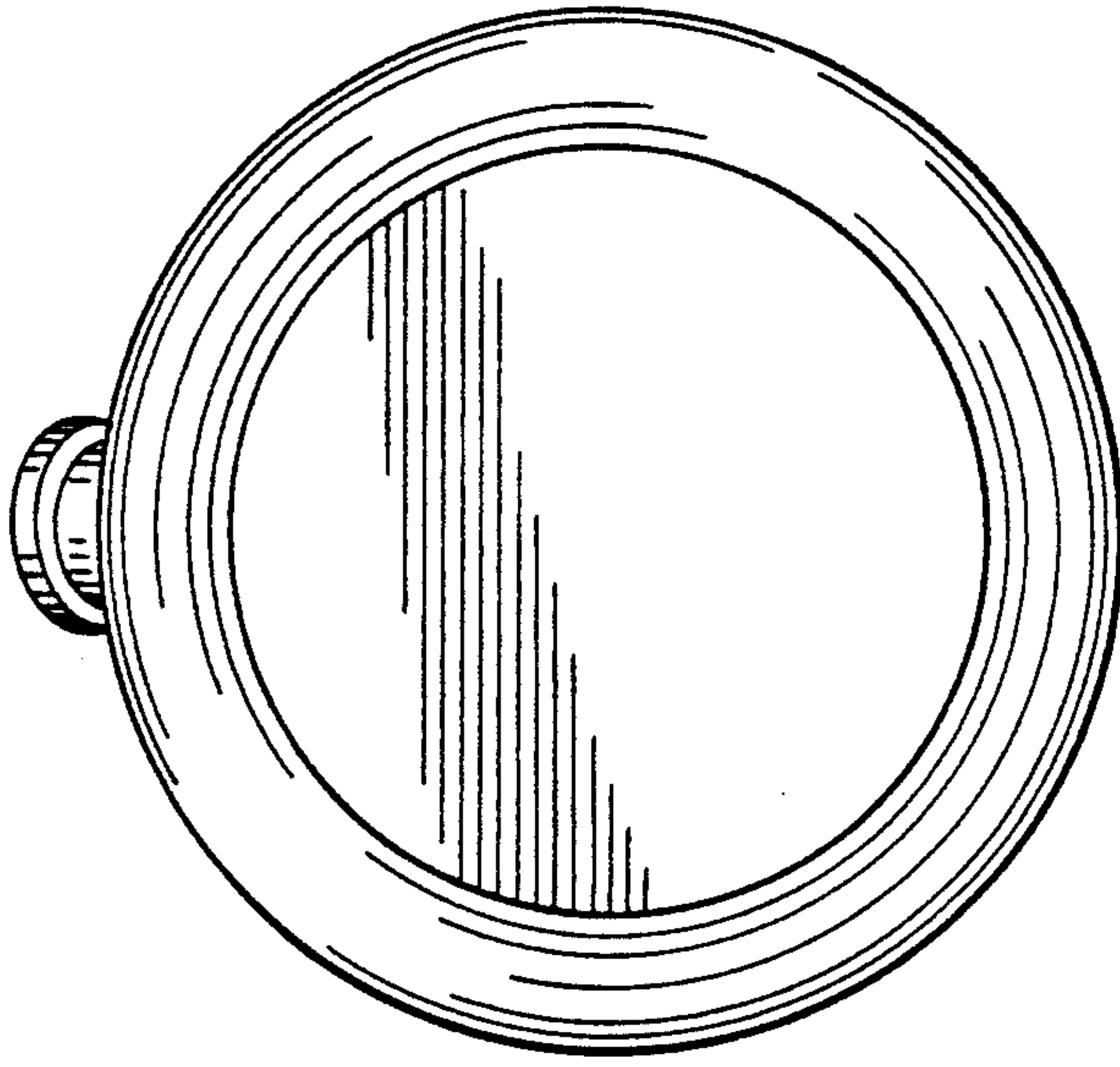


FIG.5

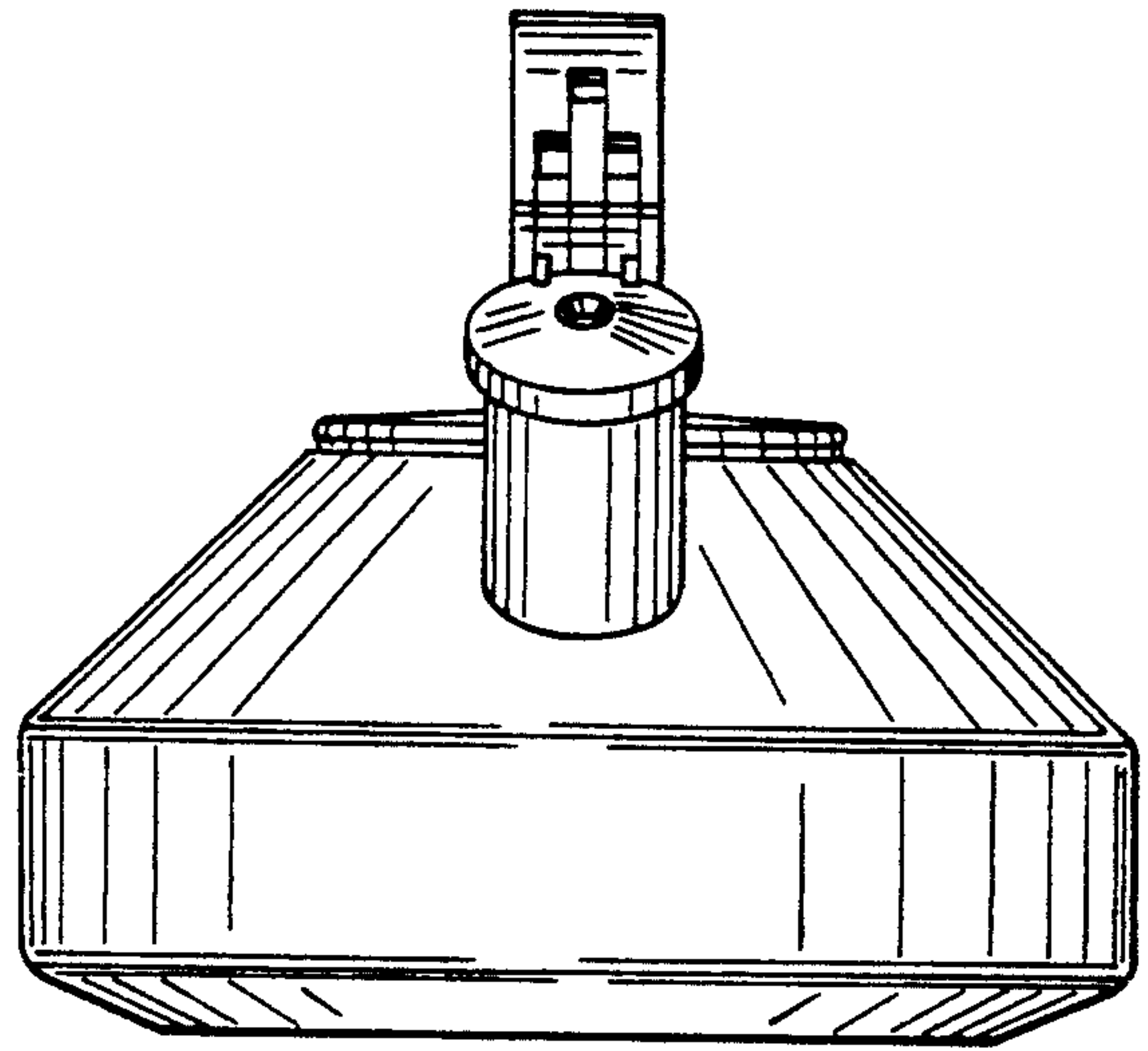


FIG.6

