



US00D342634S

United States Patent [19]

[11] Patent Number: **Des. 342,634**

Barlow-Lawson

[45] Date of Patent: **** Dec. 28, 1993**

[54] FURNITURE TOP

D. 332,535 1/1993 Hosoe D6/482
4,640,033 2/1987 Bulger D6/339 X

[76] Inventor: **Stephen Barlow-Lawson**, 39 E. 19th St., New York, N.Y. 10003

OTHER PUBLICATIONS

Herman Miller-Relay Furn. ©1991, p. 19 table top edge at right.

[**] Term: **14 Years**

Primary Examiner—Nelson C. Holtje
Assistant Examiner—J. E. Seeger
Attorney, Agent, or Firm—Feiereisen & Kueffner

[21] Appl. No.: **798,408**

[22] Filed: **Nov. 26, 1991**

[52] U.S. Cl. **D6/511; D6/482**

[58] Field of Search **D6/480, 482-489, D6/495, 497, 498, 499, 450-453, 511, 423, 427, 434-436, 406, 338, 339; 108/43, 150; 312/140.13**

[57] CLAIM

The ornamental design for a furniture top, as shown and described.

[56] References Cited

U.S. PATENT DOCUMENTS

D. 62,604	7/1923	De Shields	D6/349
D. 99,853	6/1936	Brazell	D6/339 X
D. 165,584	1/1952	Johnson	D6/482
D. 166,360	4/1952	Shinn	D6/482
D. 282,096	1/1986	Levand	D6/482 X
D. 282,775	2/1986	Hays, Sr.	D6/480 X
D. 297,684	9/1988	Taylor, Sr.	D6/339 X
D. 323,087	1/1992	Burgos	D6/482

DESCRIPTION

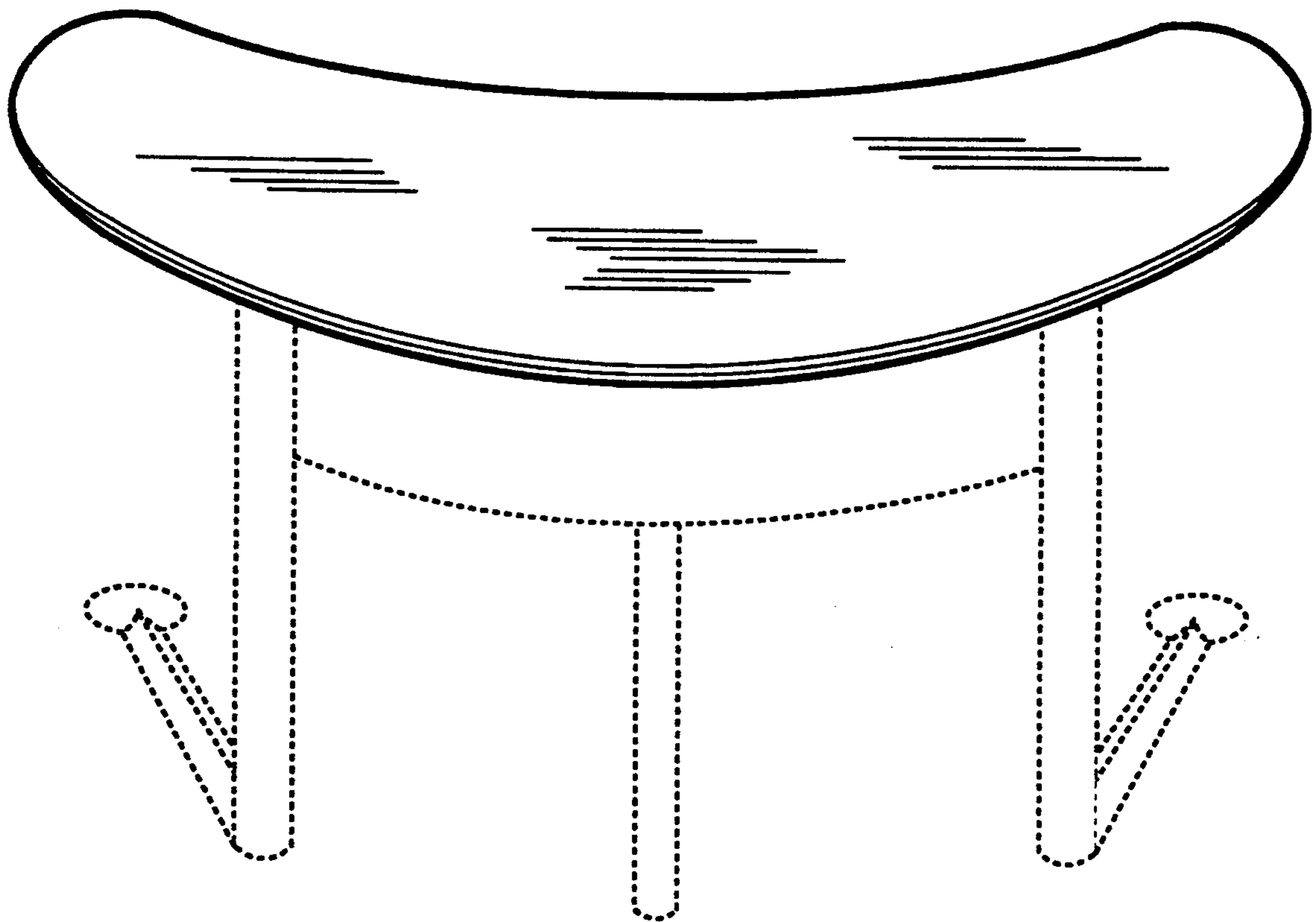
FIG. 1 is a front perspective view of a furniture top, showing my new design, the broken lines are for environmental purposes only and form no part of the claimed design;

FIG. 2 is a top elevational view thereof;

FIG. 3 is a bottom elevational view thereof;

FIG. 4 is a front elevational view thereof, the rear elevational view being a mirror image; and,

FIG. 5 is a side elevational view thereof, the opposite side being a mirror image.



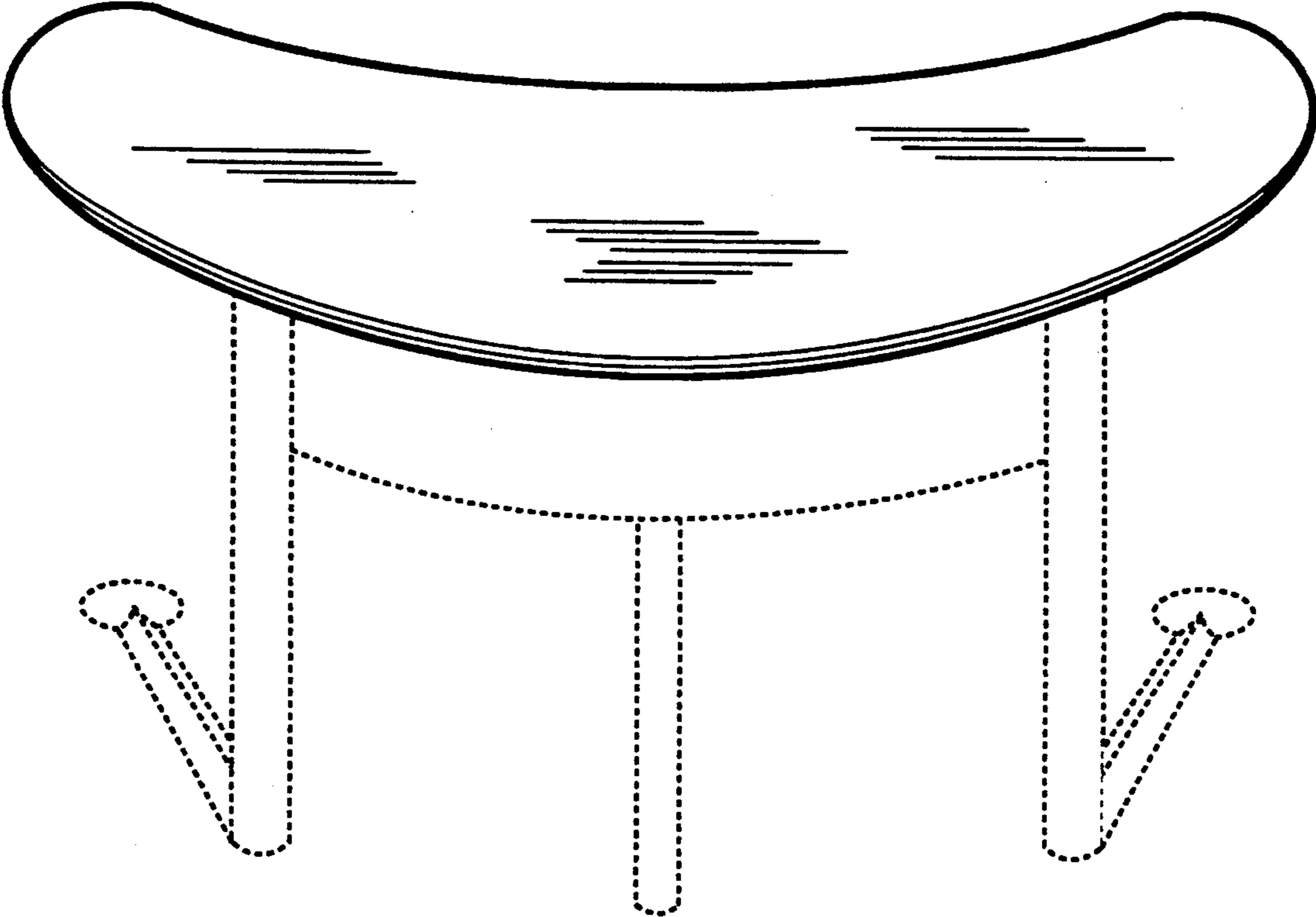


Fig. 1

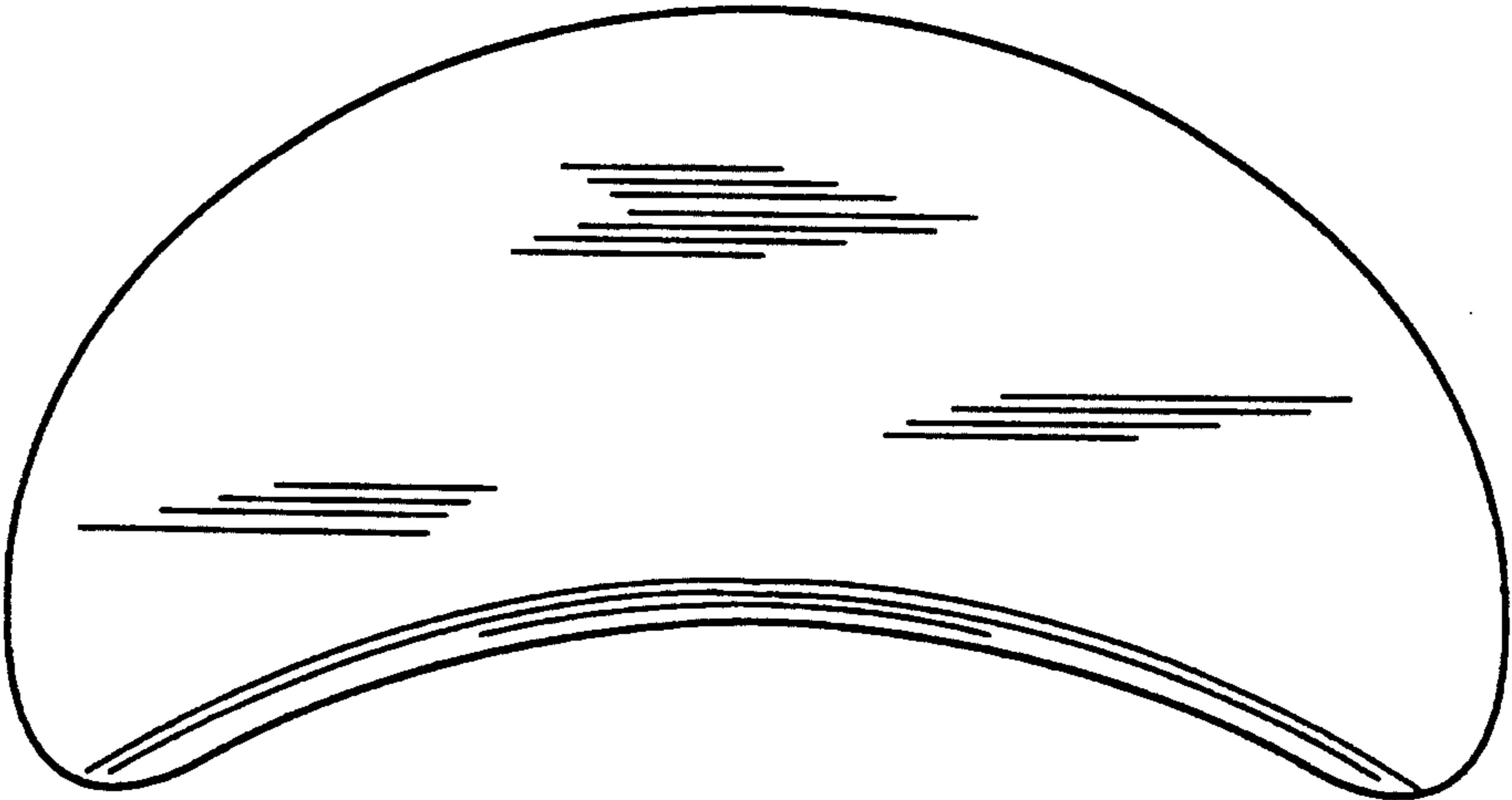


Fig. 2

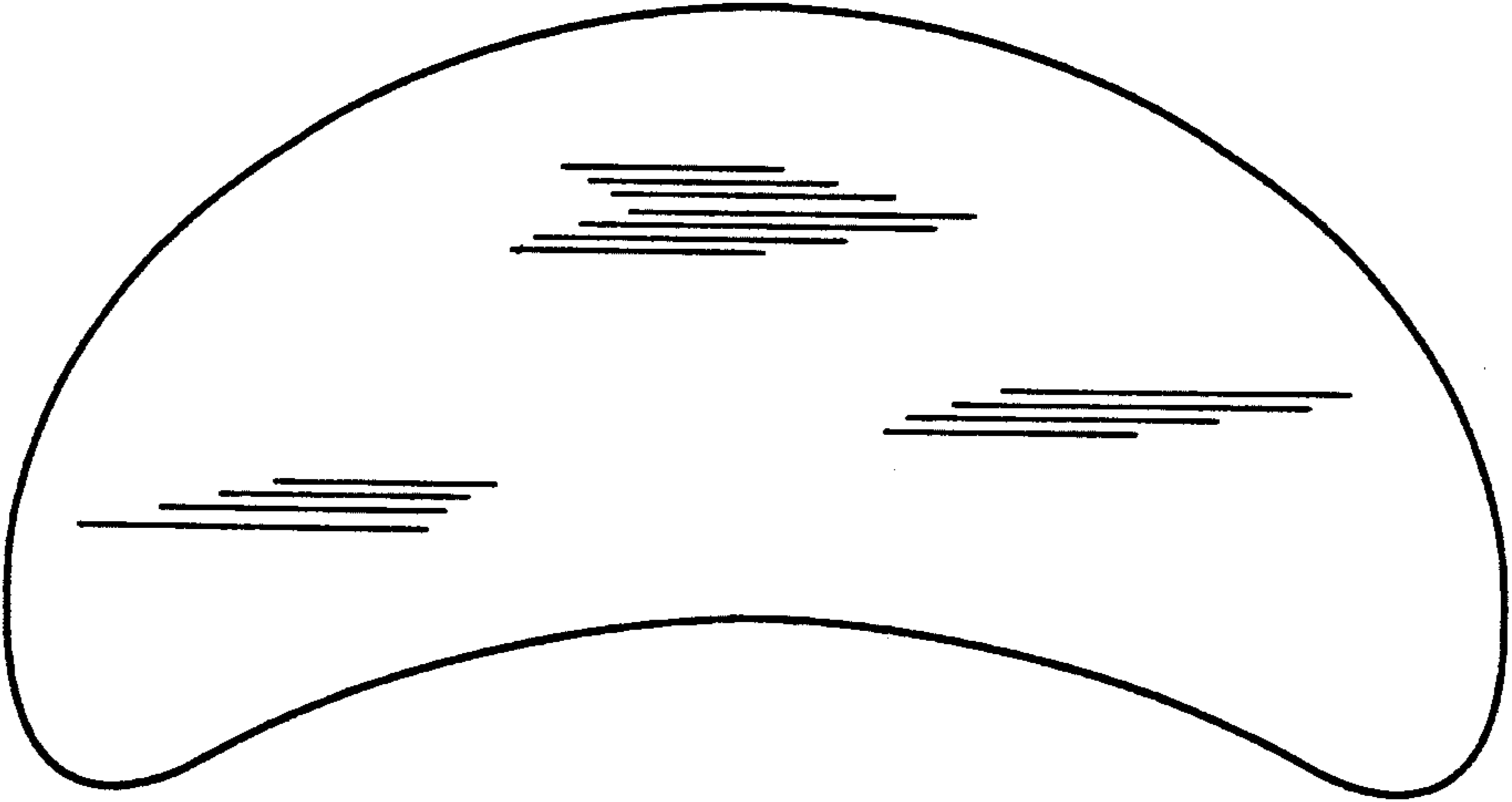


Fig. 3

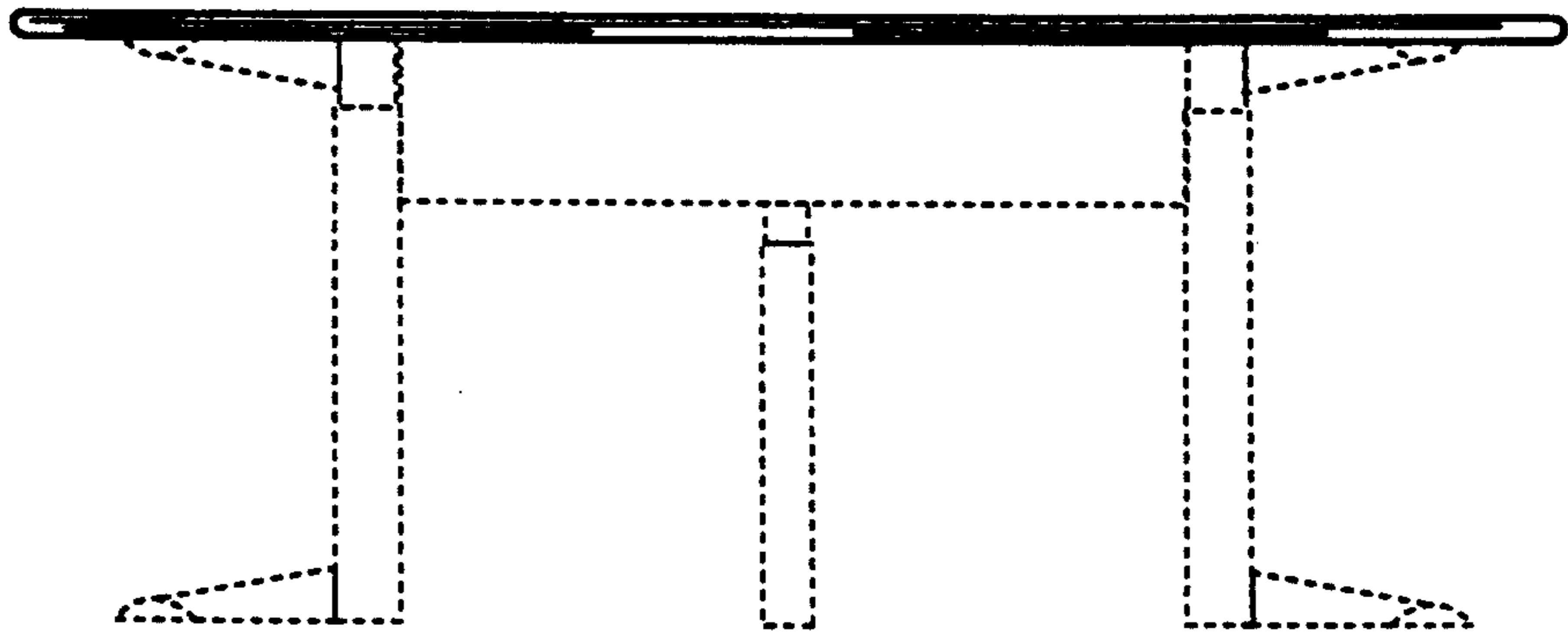


Fig. 4

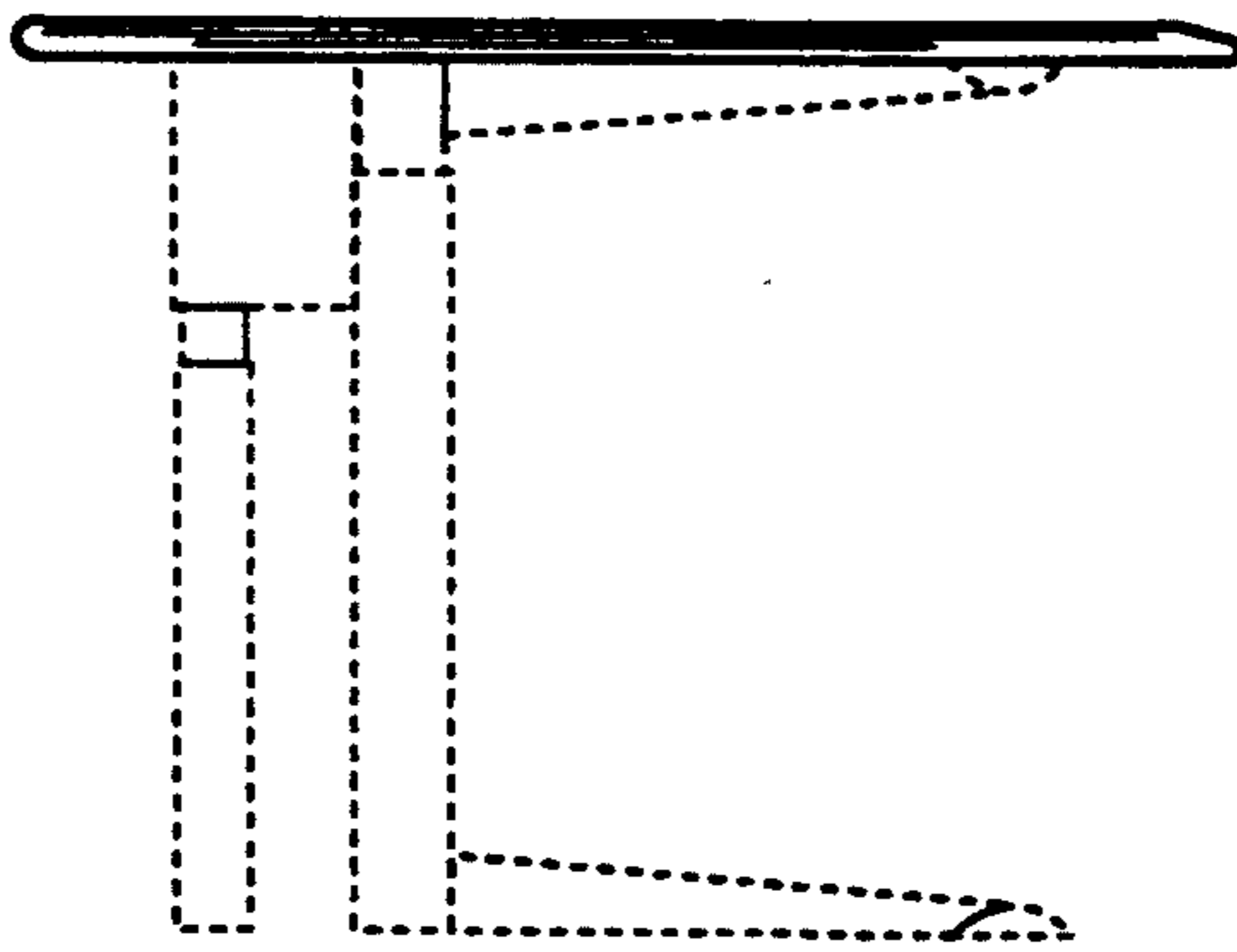


Fig. 5