



US00D342631S

United States Patent [19]

[11] Patent Number: **Des. 342,631**

Geniele et al.

[45] Date of Patent: **** Dec. 28, 1993**

[54] **TABLE**

[75] Inventors: **Henry Geniele, Westmount, Canada;**
Borje Bendtzen, Fnglebjerg,
Denmark

[73] Assignee: **Tye-Sil Corporation Ltd., Montreal,**
Canada

[**] Term: **14 Years**

[21] Appl. No.: **819,931**

[22] Filed: **Jan. 13, 1992**

[30] **Foreign Application Priority Data**

Nov. 5, 1991 [CA] Canada 05-11-91-8
[52] U.S. Cl. **D6/480**
[58] Field of Search D6/480, 482-489,
D6/495, 496, 498, 499, 429-431; 108/152, 153,
167, 121, 127, 160, 146

[56]

References Cited

U.S. PATENT DOCUMENTS

D. 98,890	3/1936	Pumphrey	D6/480 X
D. 249,859	10/1978	Schoeller	D6/485
D. 257,633	12/1980	Berlic	D6/480
D. 326,025	5/1992	Grosfillex	D6/480
D. 326,575	6/1992	Grosfillex	D6/484
1,122,205	12/1914	Ingells	108/153 X
1,939,459	12/1933	Murray	108/121
3,072,451	1/1963	Greenberg et al.	108/160
3,410,232	11/1968	Krueger	108/146

Primary Examiner—Nelson C. Holtje

Assistant Examiner—J. E. Seeger

Attorney, Agent, or Firm—Robic

[57]

CLAIM

The ornamental design for a table, as shown and described.

DESCRIPTION

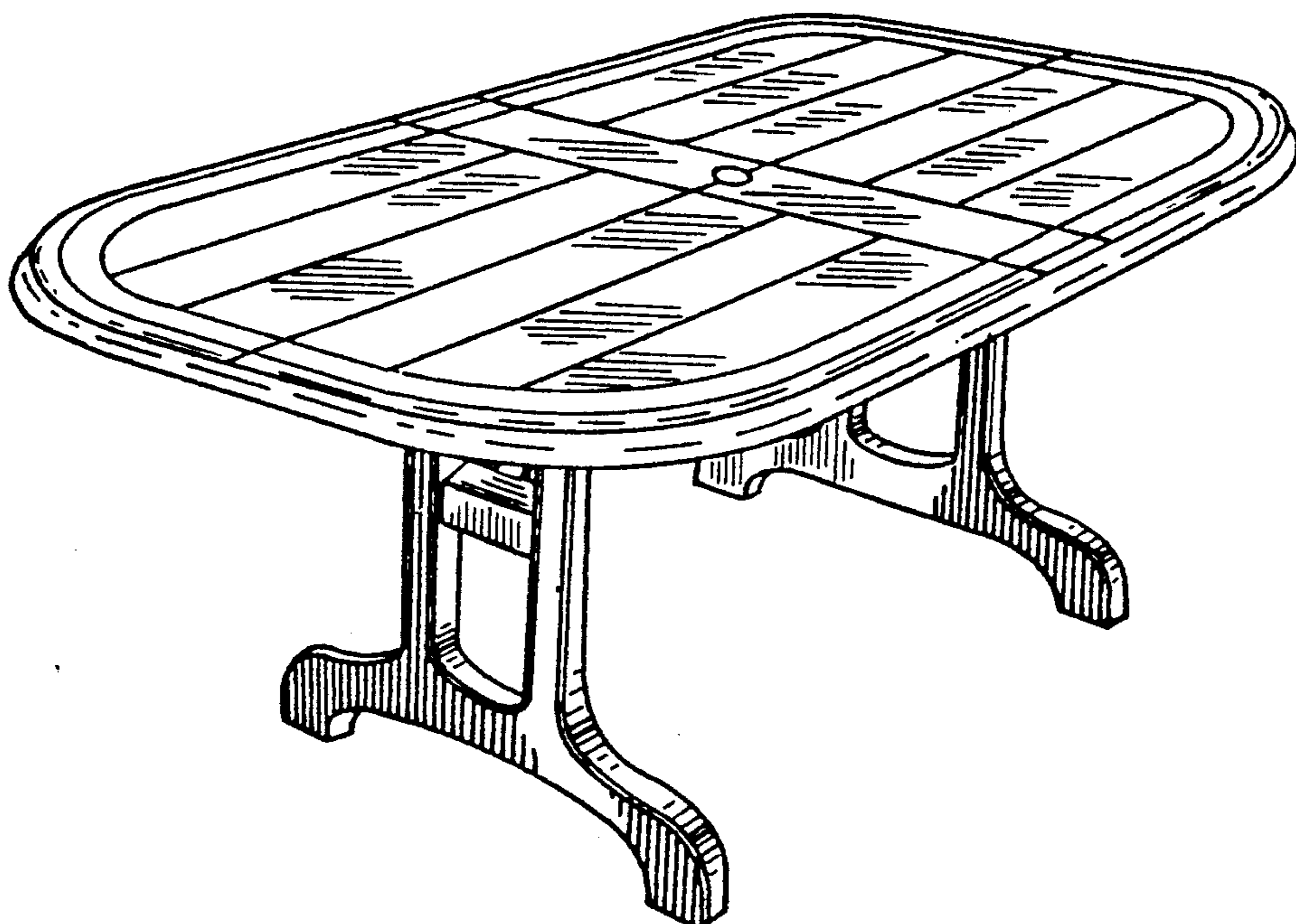
FIG. 1 is a perspective view of a table, showing our new design;

FIG. 2 is a side elevational view thereof;

FIG. 3 is an end elevational view thereof;

FIG. 4 is a top plan view thereof; and,

FIG. 5 is a bottom plan view thereof.



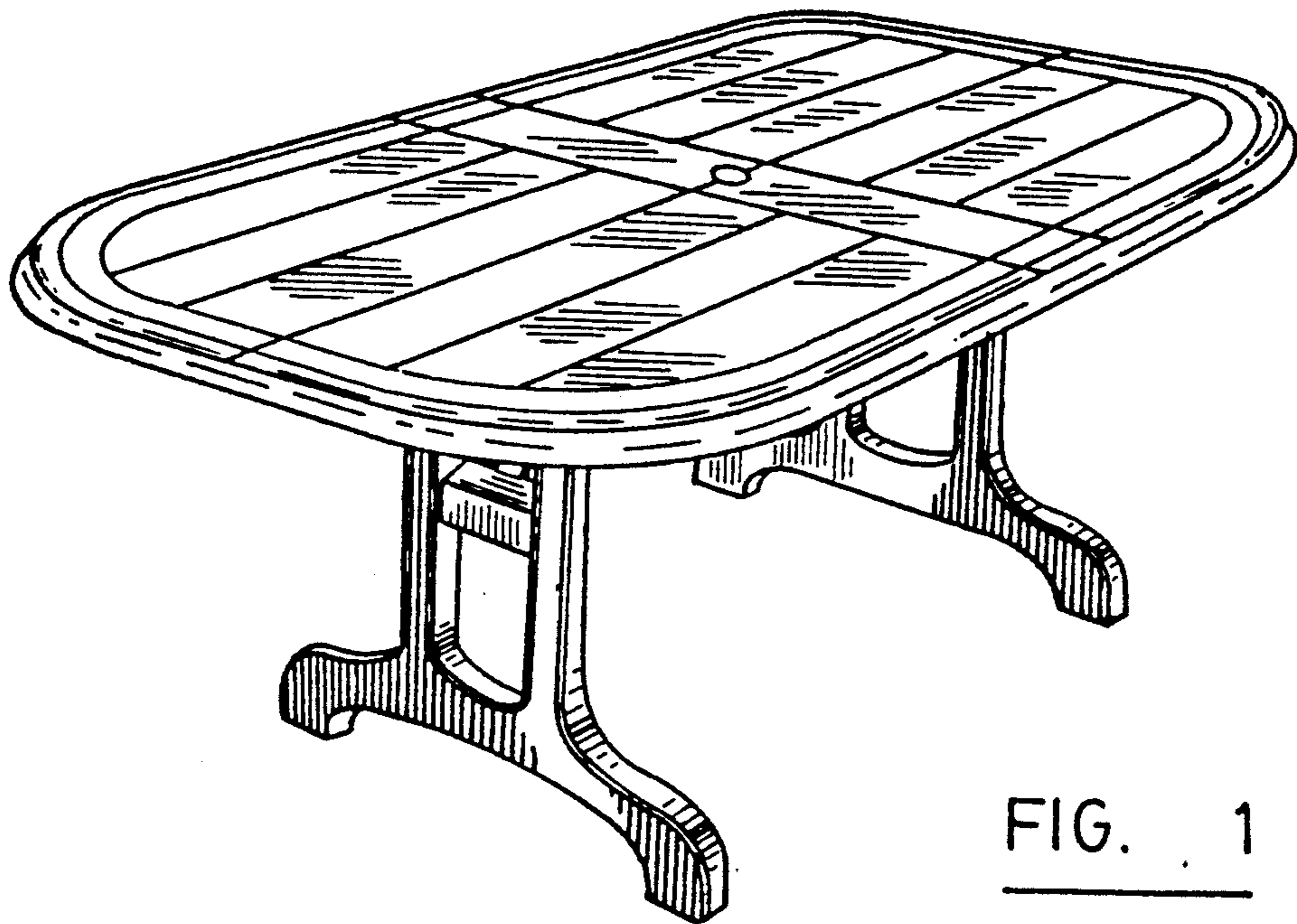


FIG. 1

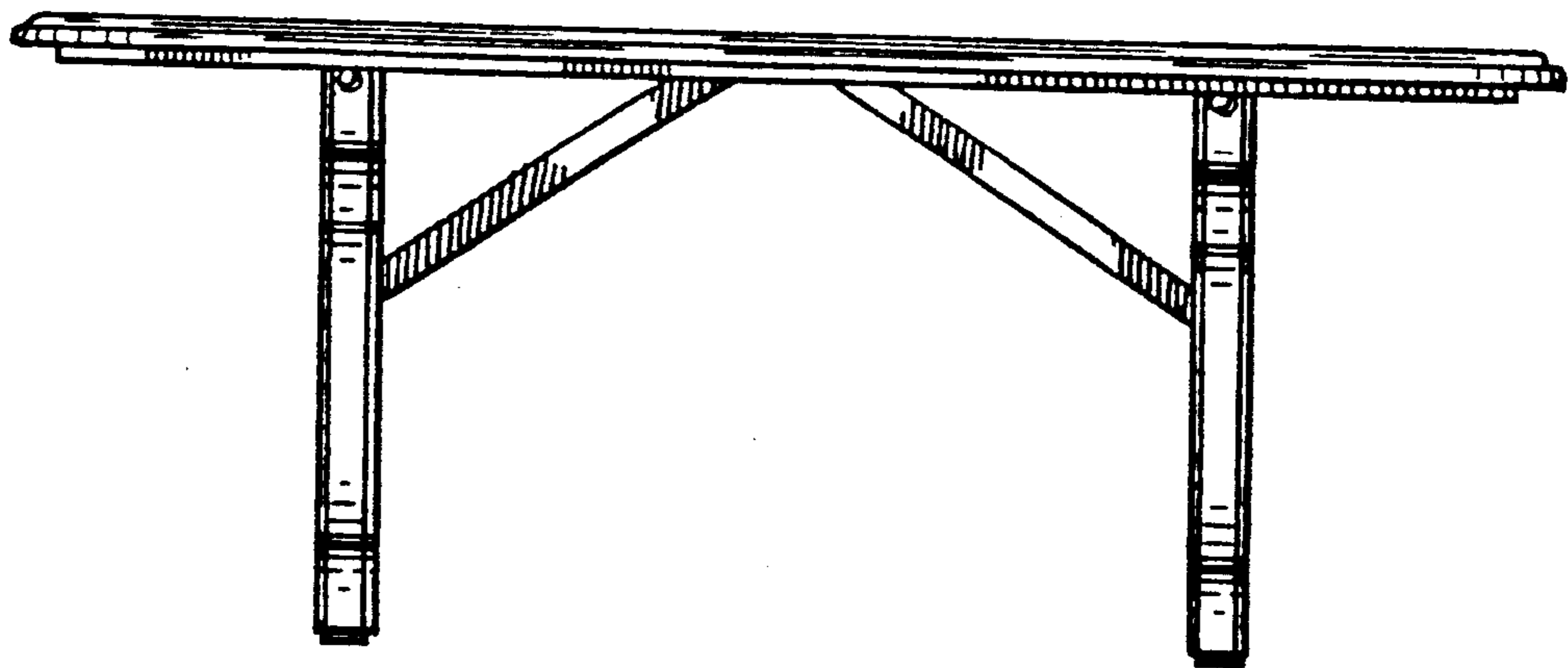


FIG. 2

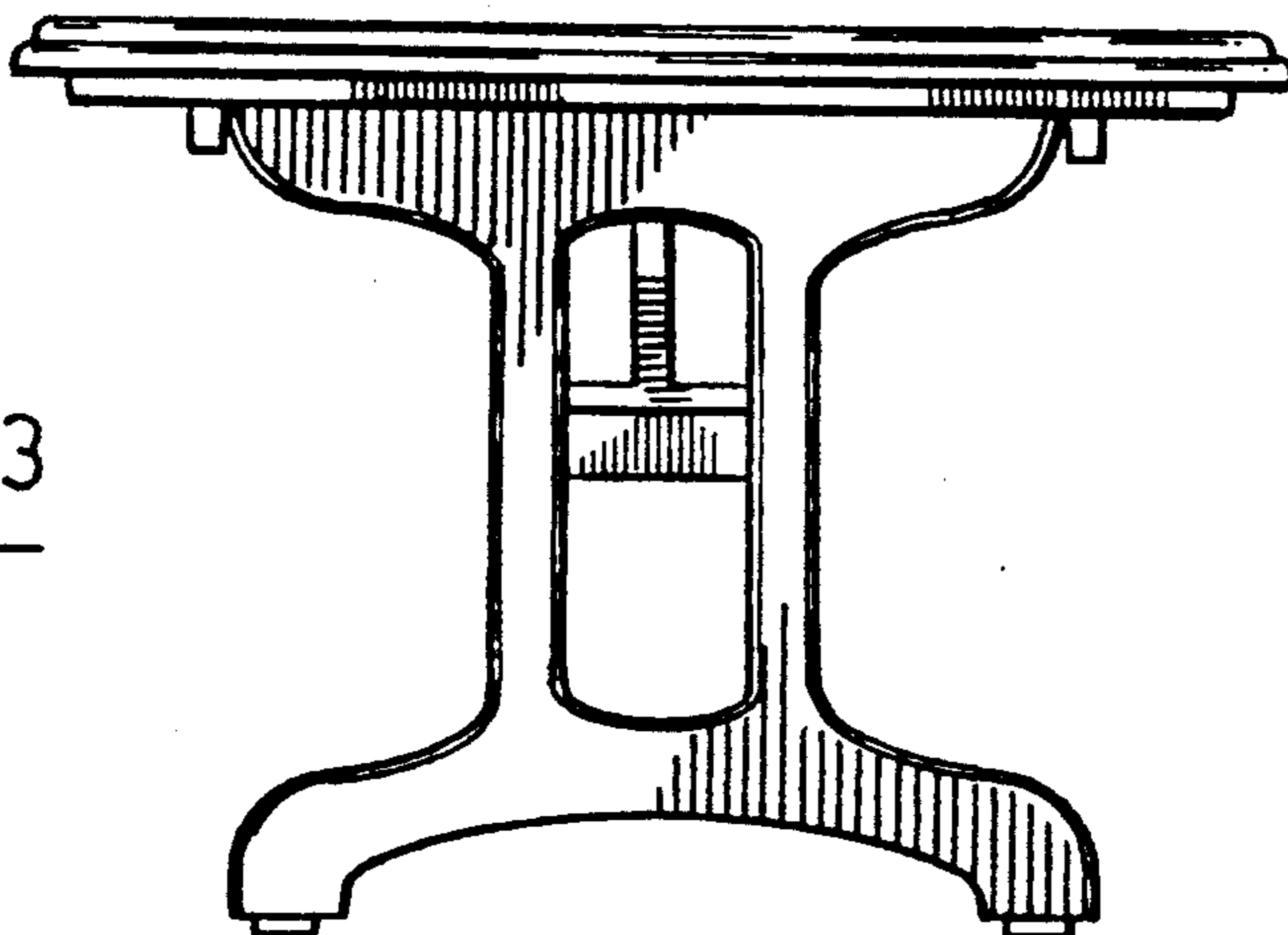


FIG. 3

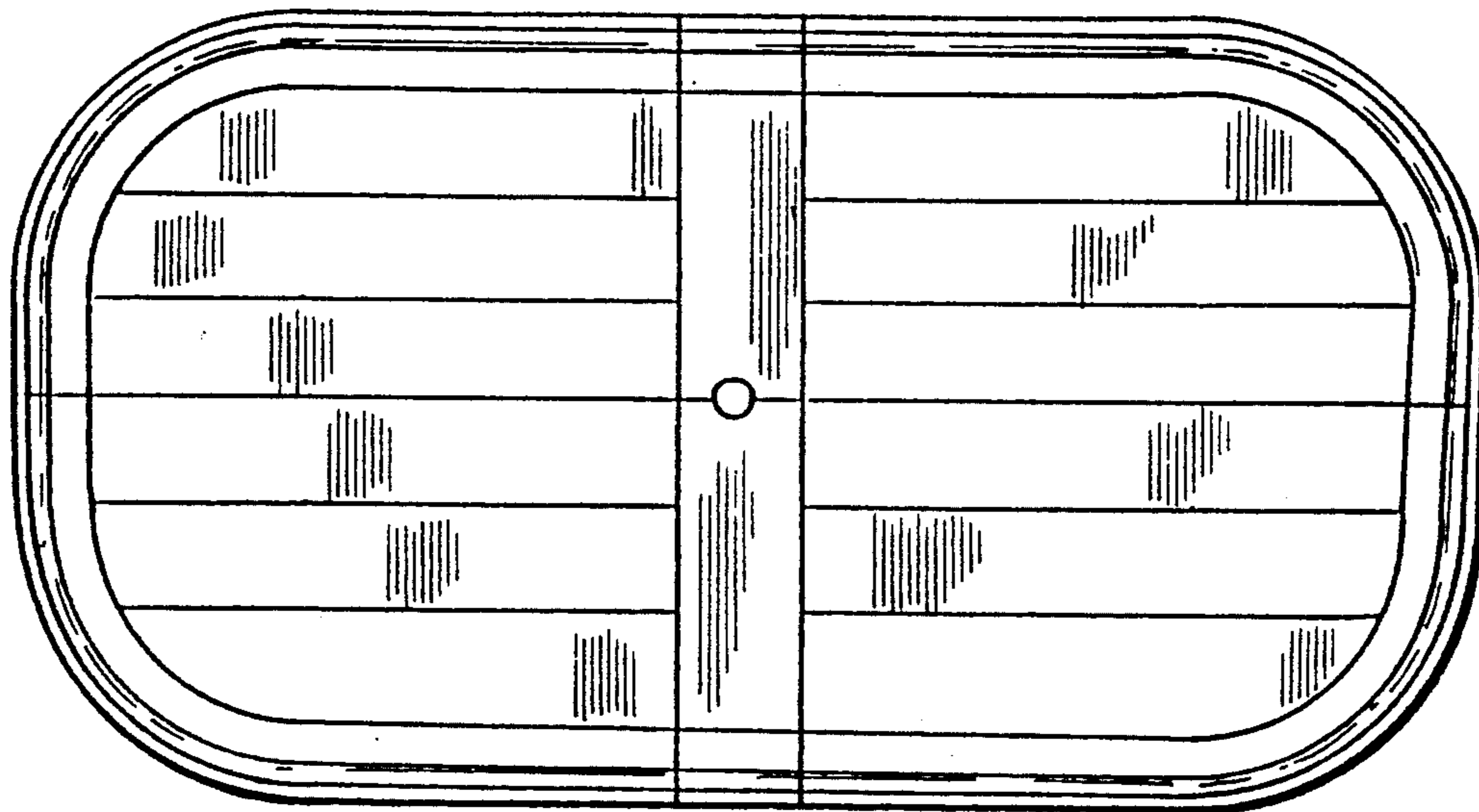


FIG. 4

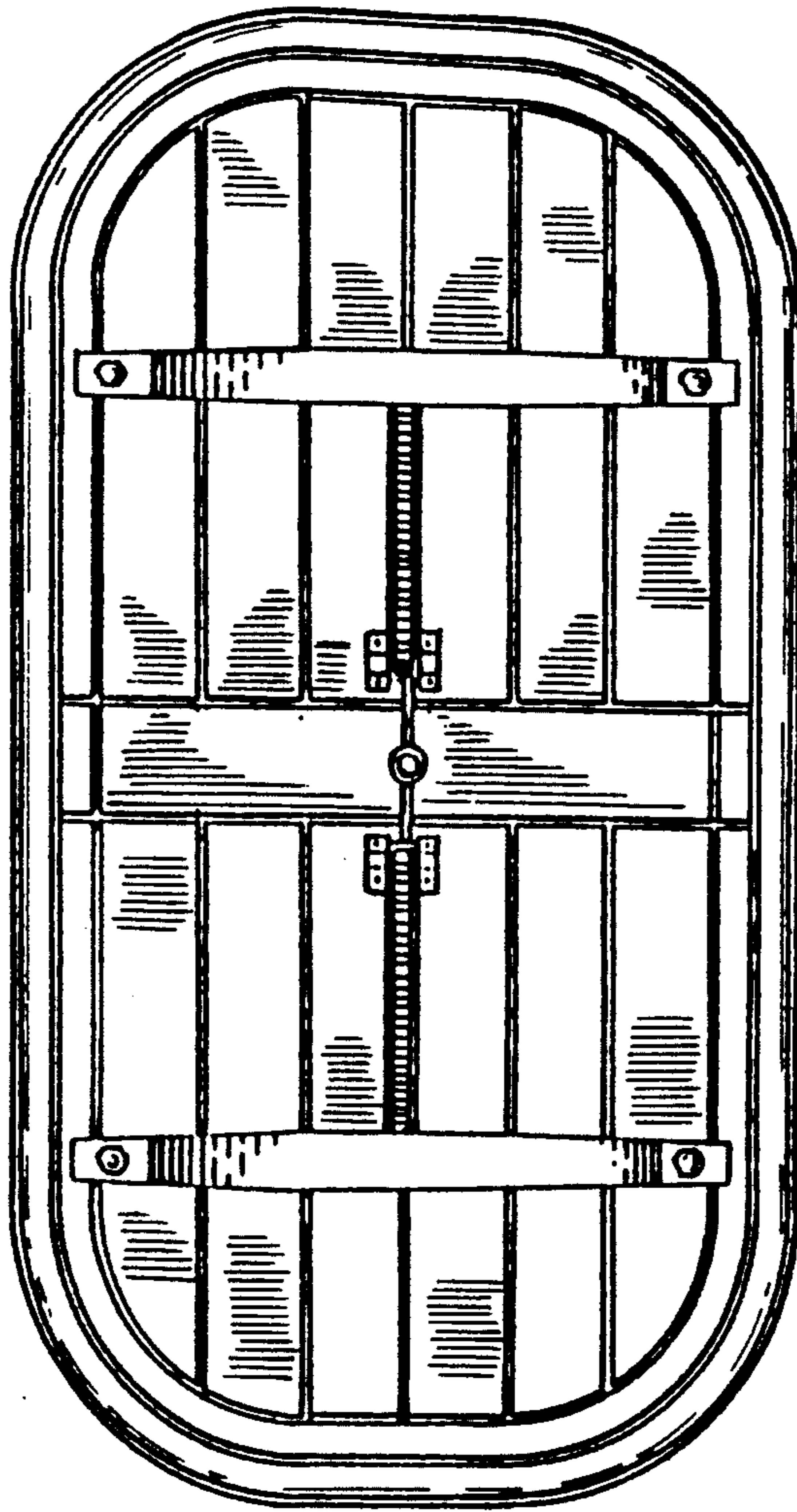


FIG. 5