



US00D342630S

United States Patent [19]

[11] Patent Number: **Des. 342,630**

Caldwell

[45] Date of Patent: **** Dec. 28, 1993**

[54] **CHAIR**

[76] Inventor: **John Caldwell**, 1829 Warwick Rd., San Marino, Calif. 91030

[**] Term: **14 Years**

[21] Appl. No.: **781,339**

[22] Filed: **Oct. 18, 1991**

[52] U.S. Cl. **D6/376; D6/379**

[58] Field of Search **D6/334, 369, 370, 374, D6/375, 376, 379, 380, 500, 501, 502; 297/418, 421, 446**

[56] **References Cited**

U.S. PATENT DOCUMENTS

D. 157,225	2/1950	Williams	D6/376
D. 208,301	8/1967	Richards	D6/369
D. 284,815	7/1986	Shaw et al.	D6/376
D. 316,338	4/1991	Frinier	D6/380

OTHER PUBLICATIONS

Veneman, a Trapitone Co., Prices: Sep. 1, 1991, Chair BD11A at bottom right.

Primary Examiner—Carmen H. Vales-Lado

Assistant Examiner—Gary D. Watson

Attorney, Agent, or Firm—Donald D. Mon

[57] **CLAIM**

The ornamental design for a chair, as shown and described.

DESCRIPTION

FIG. 1 is a left front perspective view of the chair according to the invention;

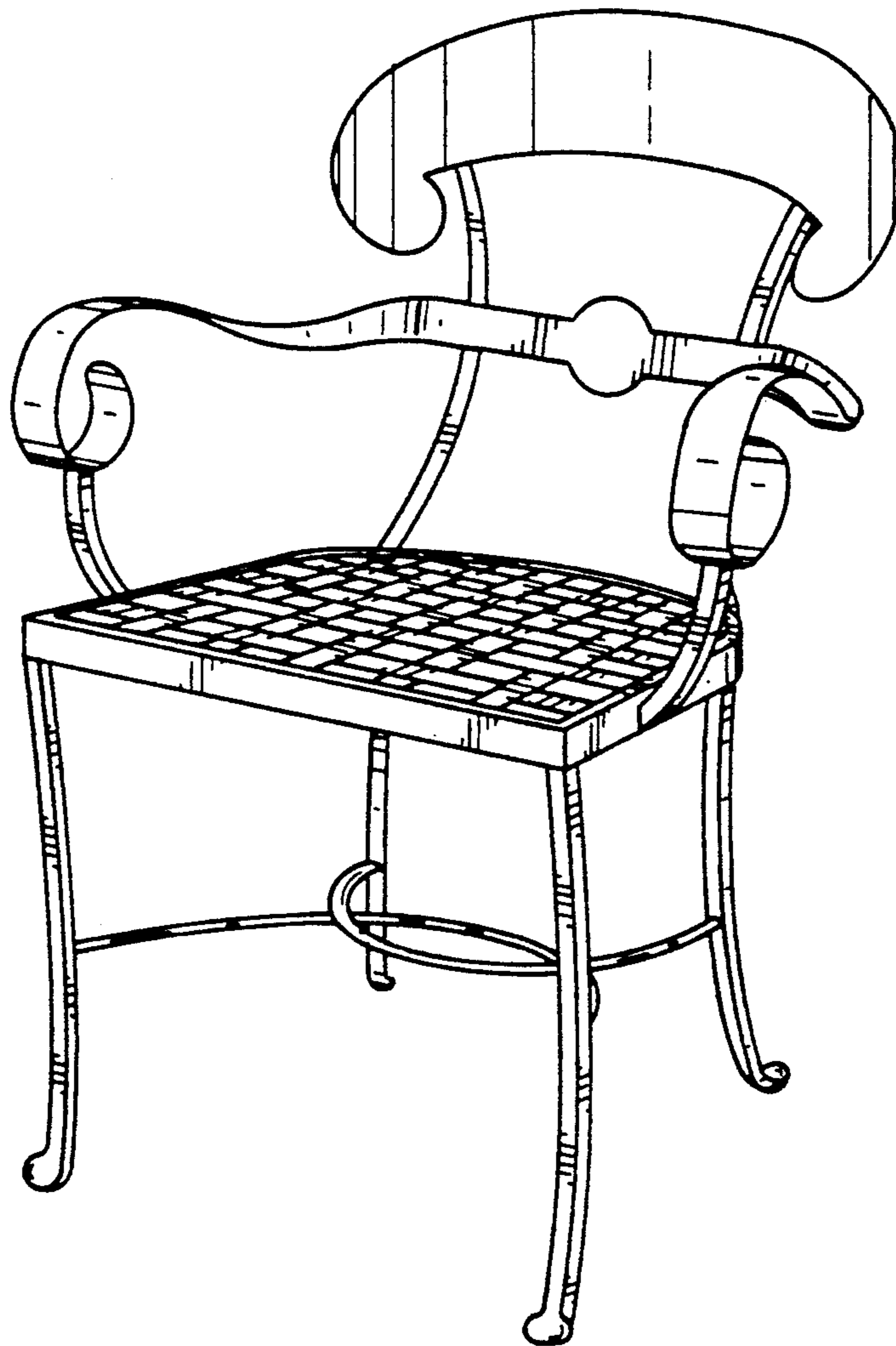
FIG. 2 is a right rear perspective view of the chair of FIG. 1;

FIG. 3 is a front view of the chair of FIG. 1;

FIG. 4 is a rear view of FIG. 3;

FIG. 5 is a right hand side view of the chair in FIG. 1, the left hand view being its mirror image; and,

FIG. 6 is a top view of the chair of FIG. 1.



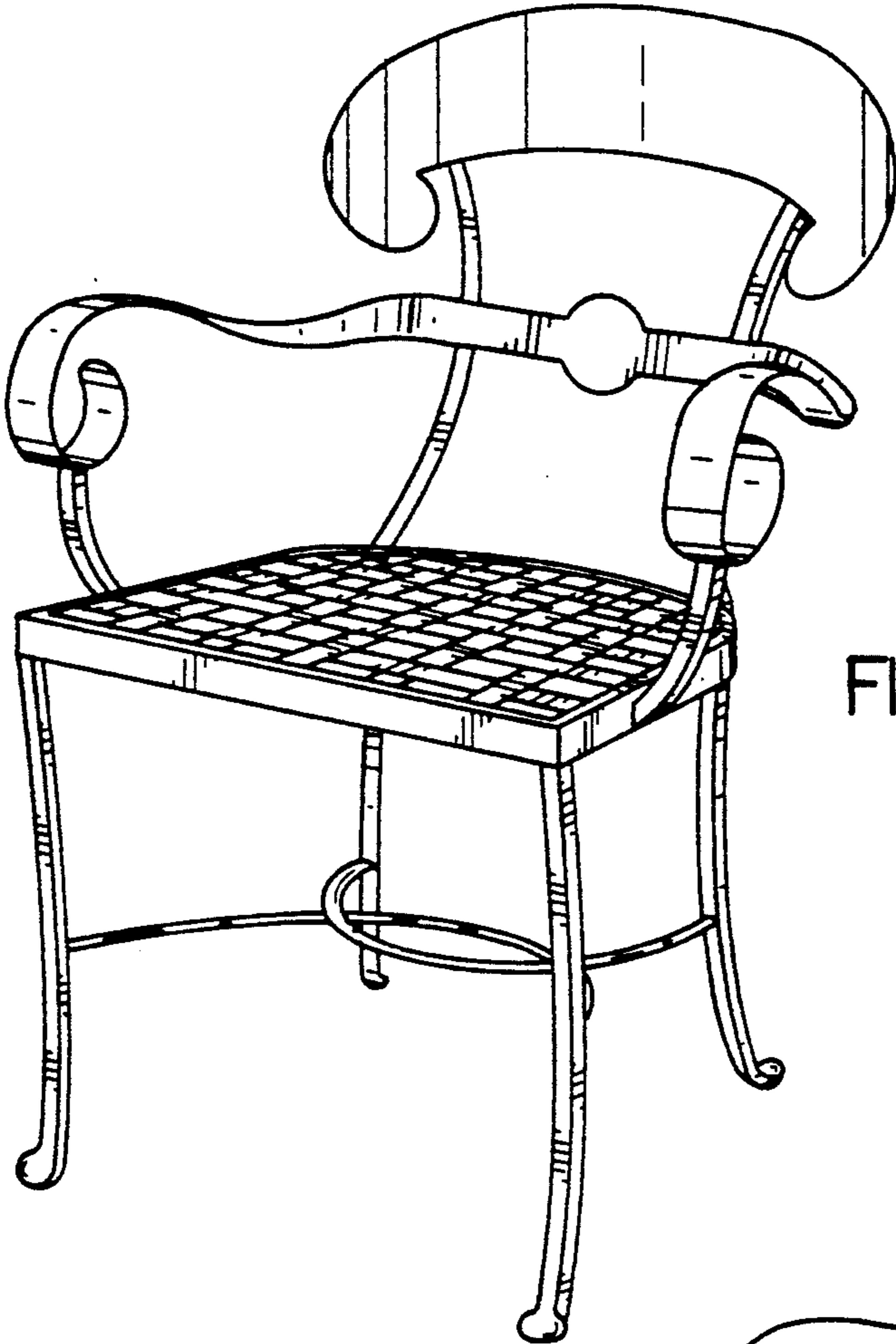


FIG. 1

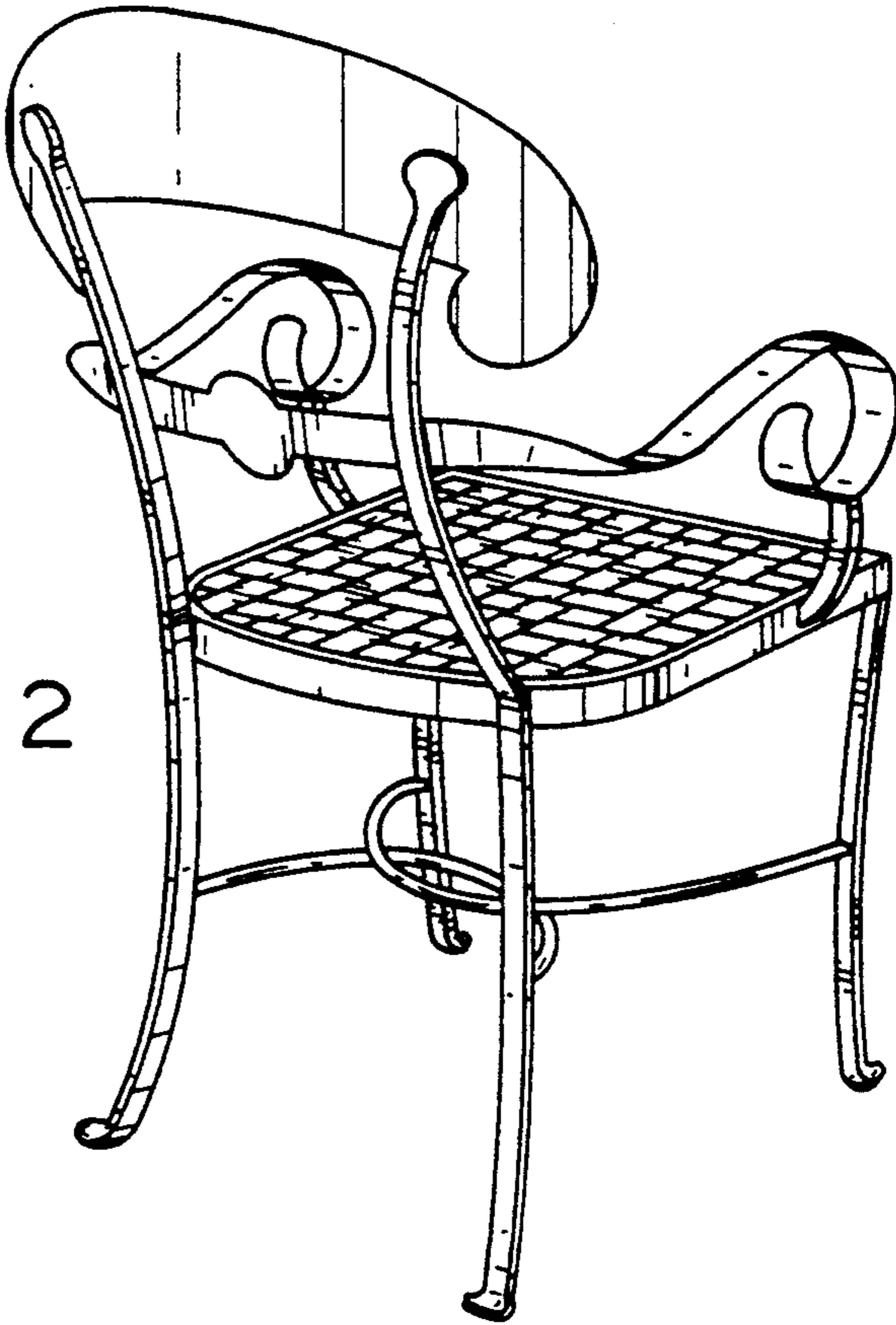


FIG. 2

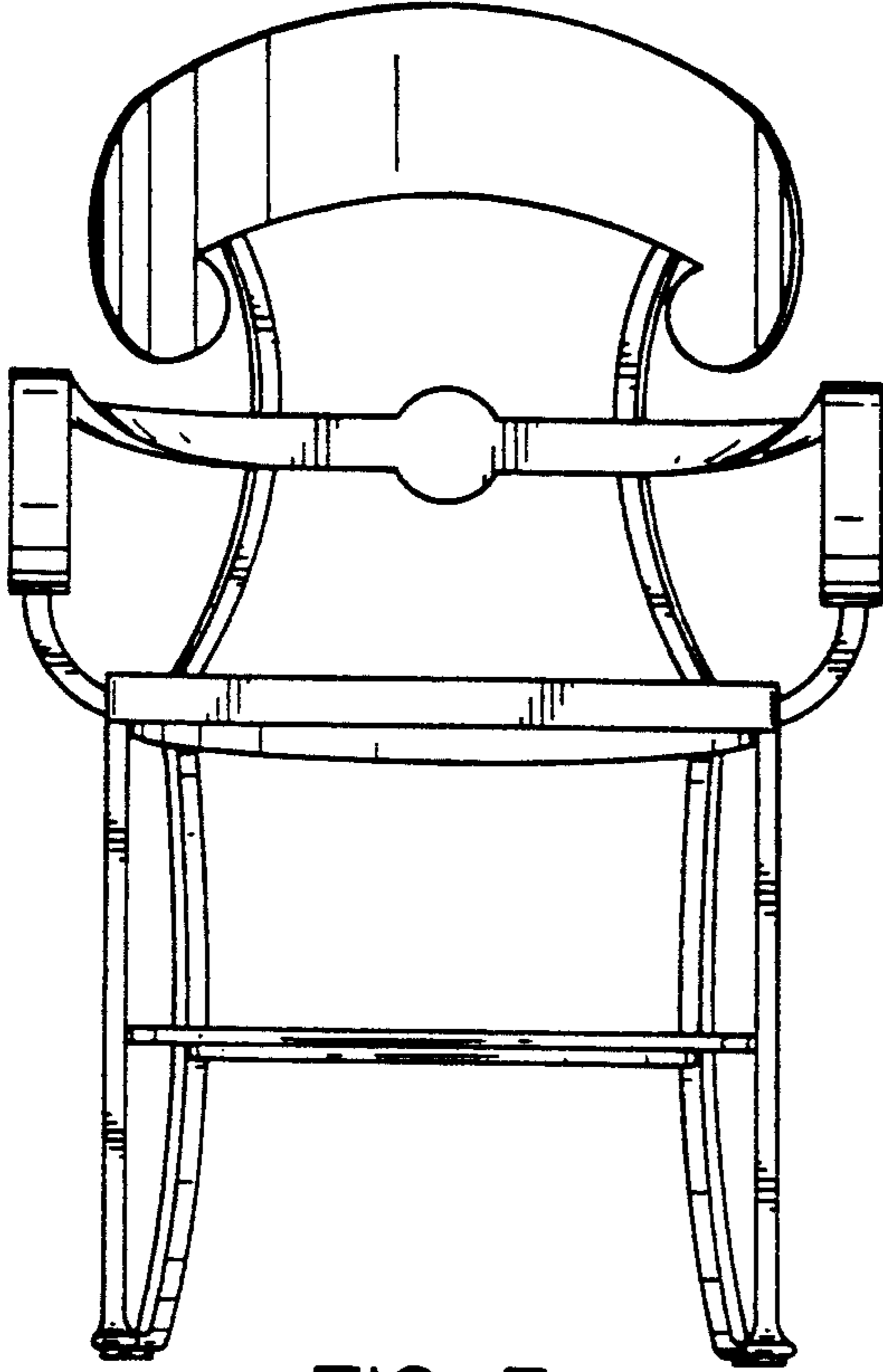


FIG. 3

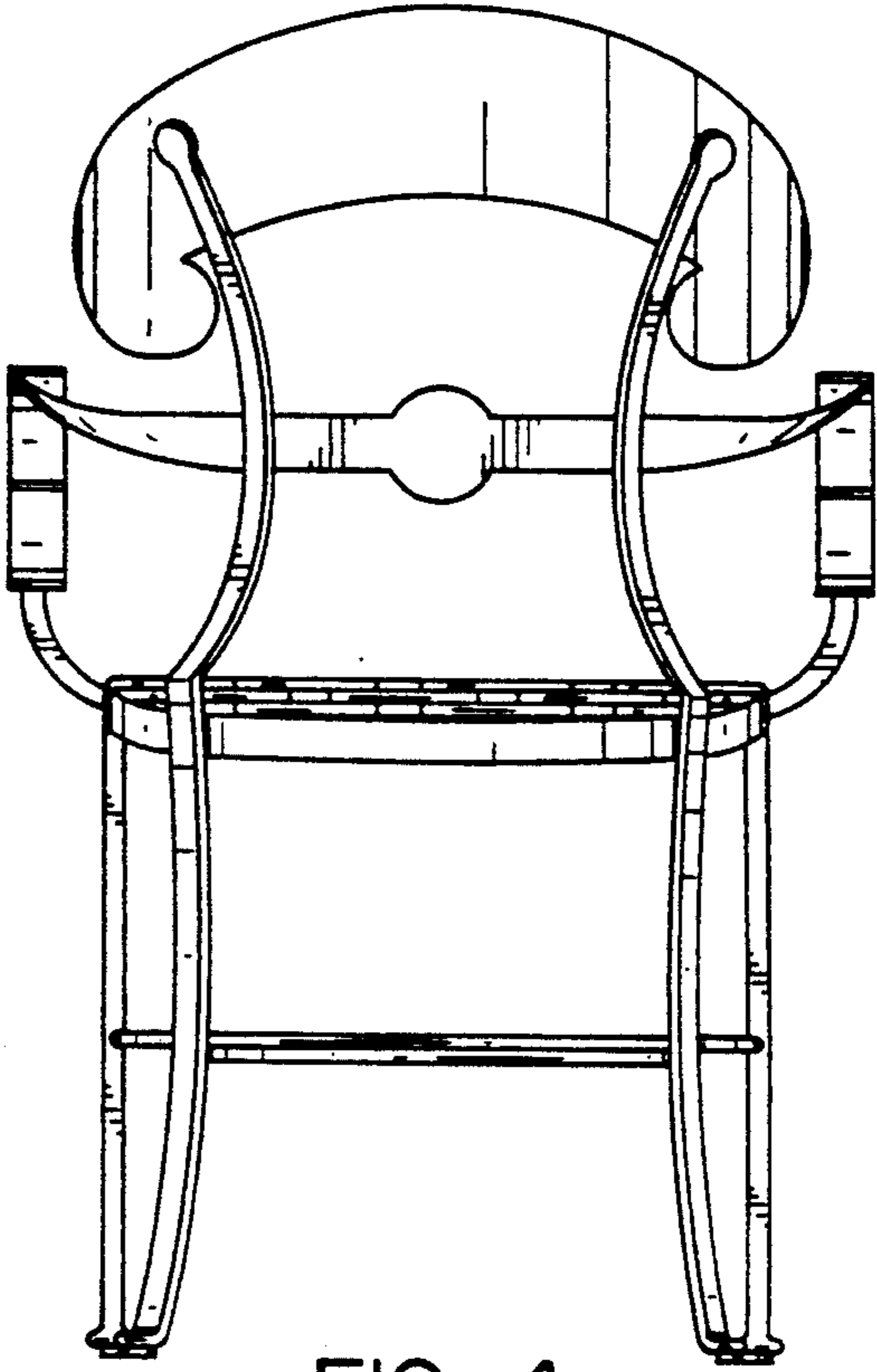


FIG. 4

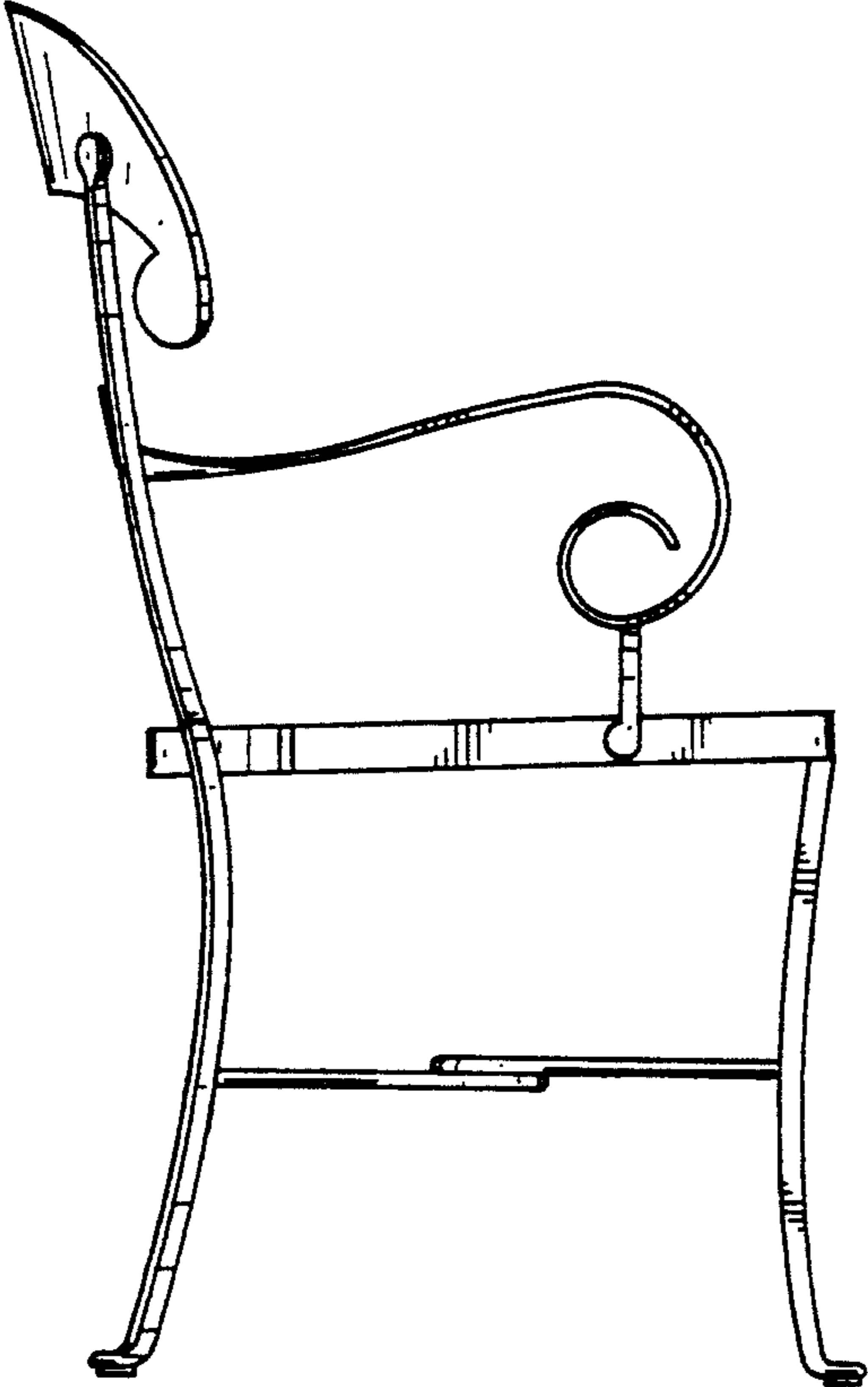


FIG. 5

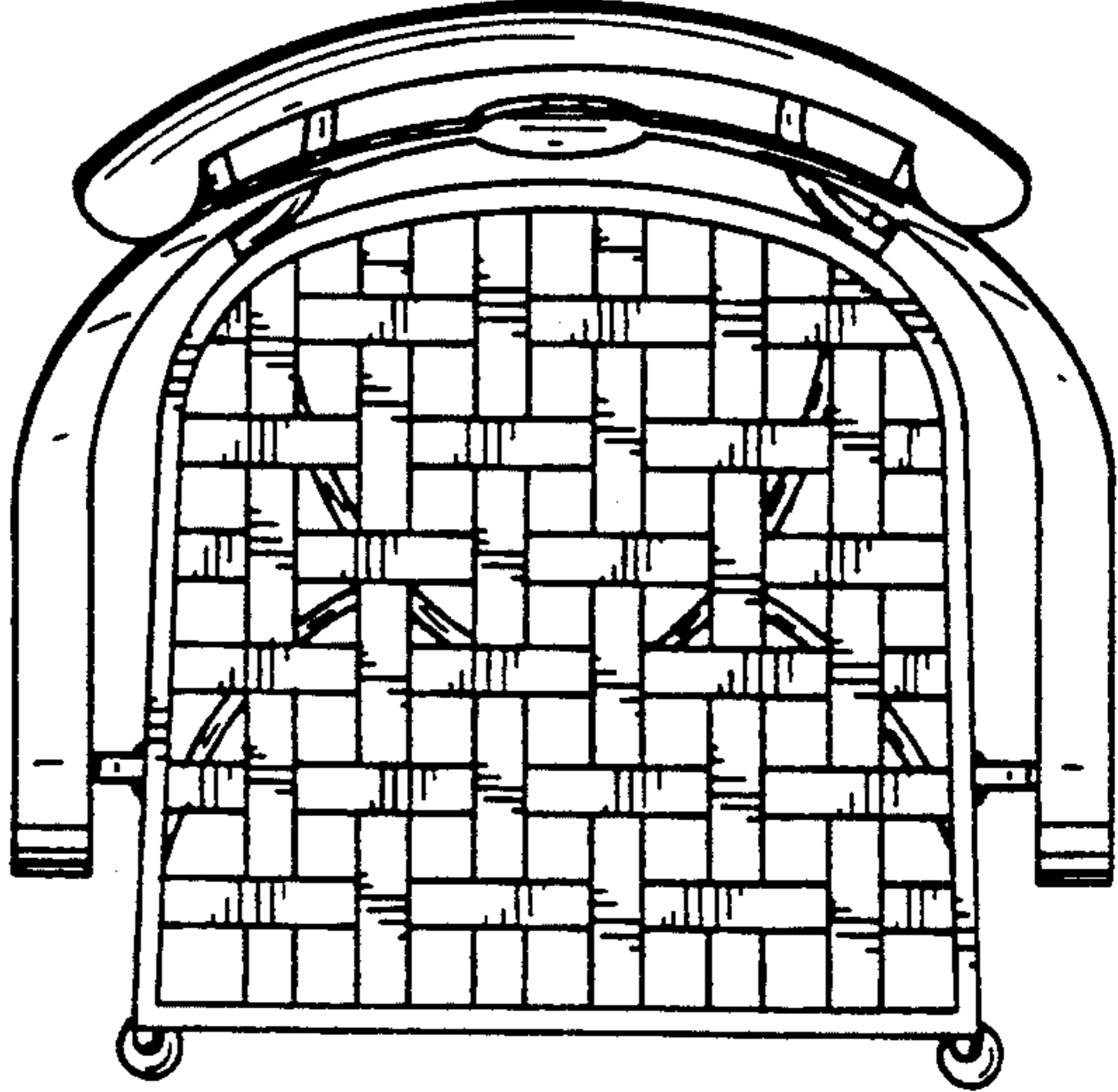


FIG. 6