



US00D342626S

United States Patent [19]

[11] Patent Number: **Des. 342,626**

Golod et al.

[45] Date of Patent: **** Dec. 28, 1993**

[54] **BOOKCASE FOR COMPUTER TERMINAL DESK**

- D. 262,926 2/1982 Woolford D6/470 X
- D. 311,462 10/1990 Prendergast et al. D6/455
- D. 312,927 12/1990 Martin et al. D6/423
- D. 314,293 2/1991 Prendergast D6/455
- D. 325,309 4/1992 Worrell D6/414 X

[75] Inventors: **Edward Golod, Glen Head; Robert Larson, East Hills; Martin J. Anderson, Northport, all of N.Y.**

Primary Examiner—Alan P. Douglas
Assistant Examiner—Jeffrey Asch
Attorney, Agent, or Firm—Schweitzer Cornman & Gross

[73] Assignee: **Infra-Structures, Inc., Brentwood, N.Y.**

[**] Term: **14 Years**

[57] **CLAIM**

[21] Appl. No.: **708,636**

The ornamental design for a bookcase for computer terminal desk, as shown and described.

[22] Filed: **May 31, 1991**

DESCRIPTION

[52] U.S. Cl. **D6/470**

[58] Field of Search **D6/470, 471, 472, 455, D6/421-426, 457-461, 414, 432, 446, 448, 504-511; 312/140.1, 198, 194-196; 211/13, 42**

FIG. 1 is a front perspective of a bookcase for a computer terminal desk showing our new design, the opposite side as well as the two lateral side views being mirror images thereof; and,

[56] **References Cited**

U.S. PATENT DOCUMENTS

D. 247,208 2/1978 Pearson D6/432 X

FIG. 2 is a bottom plan view thereof. The broken line showing of a computer terminal desk in FIG. 1 is for illustrative purposes only.

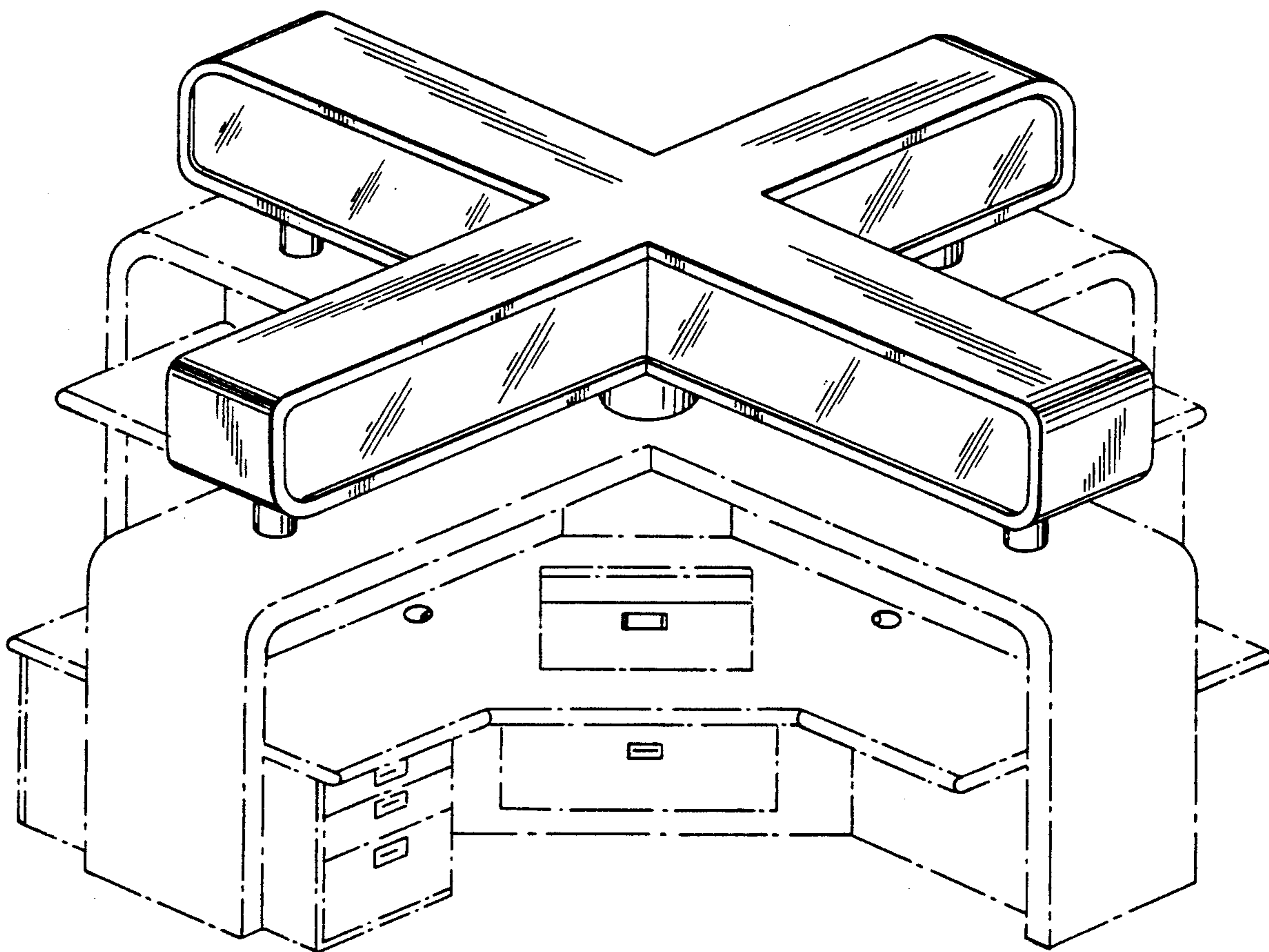
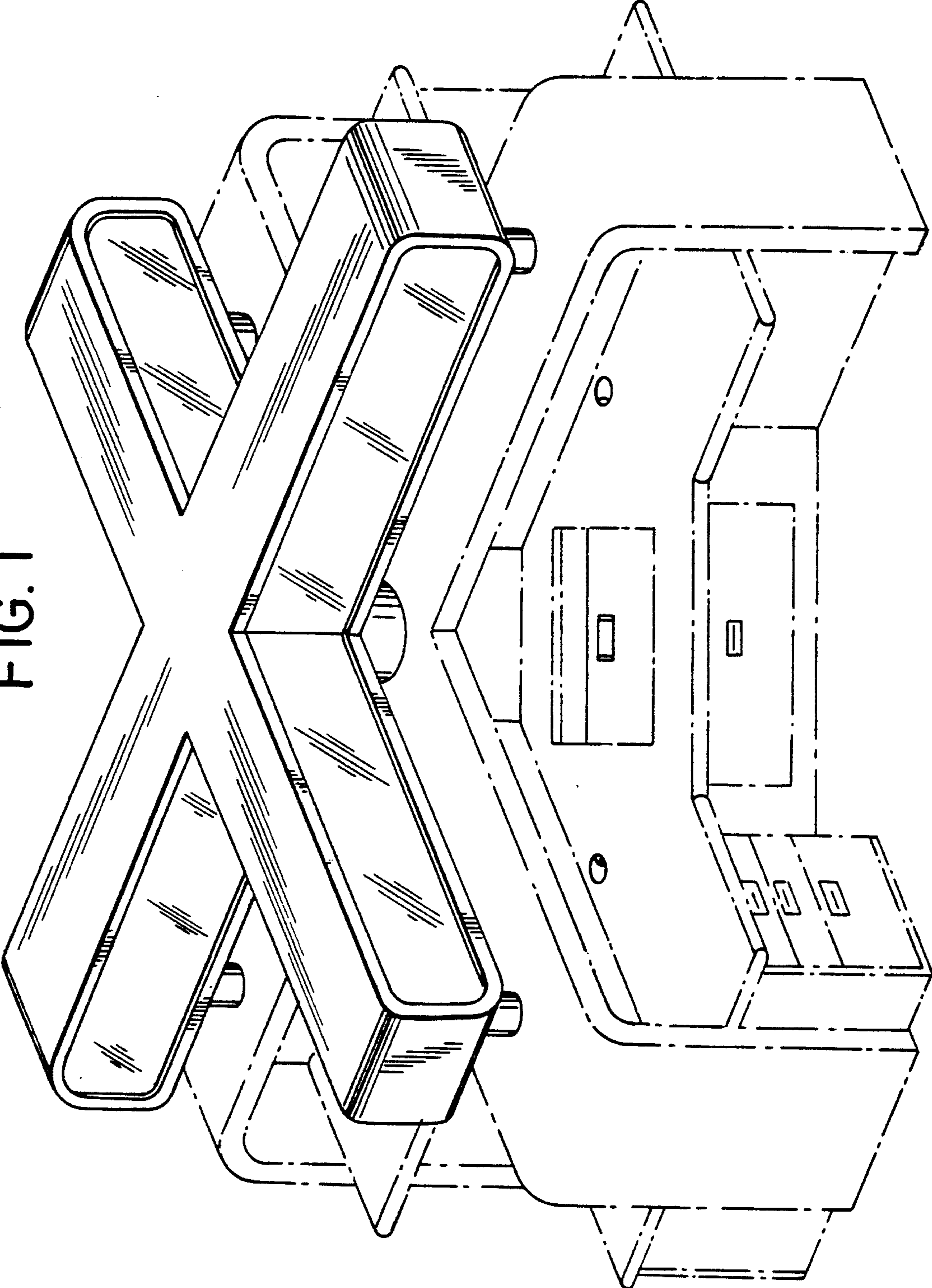


FIG. 1



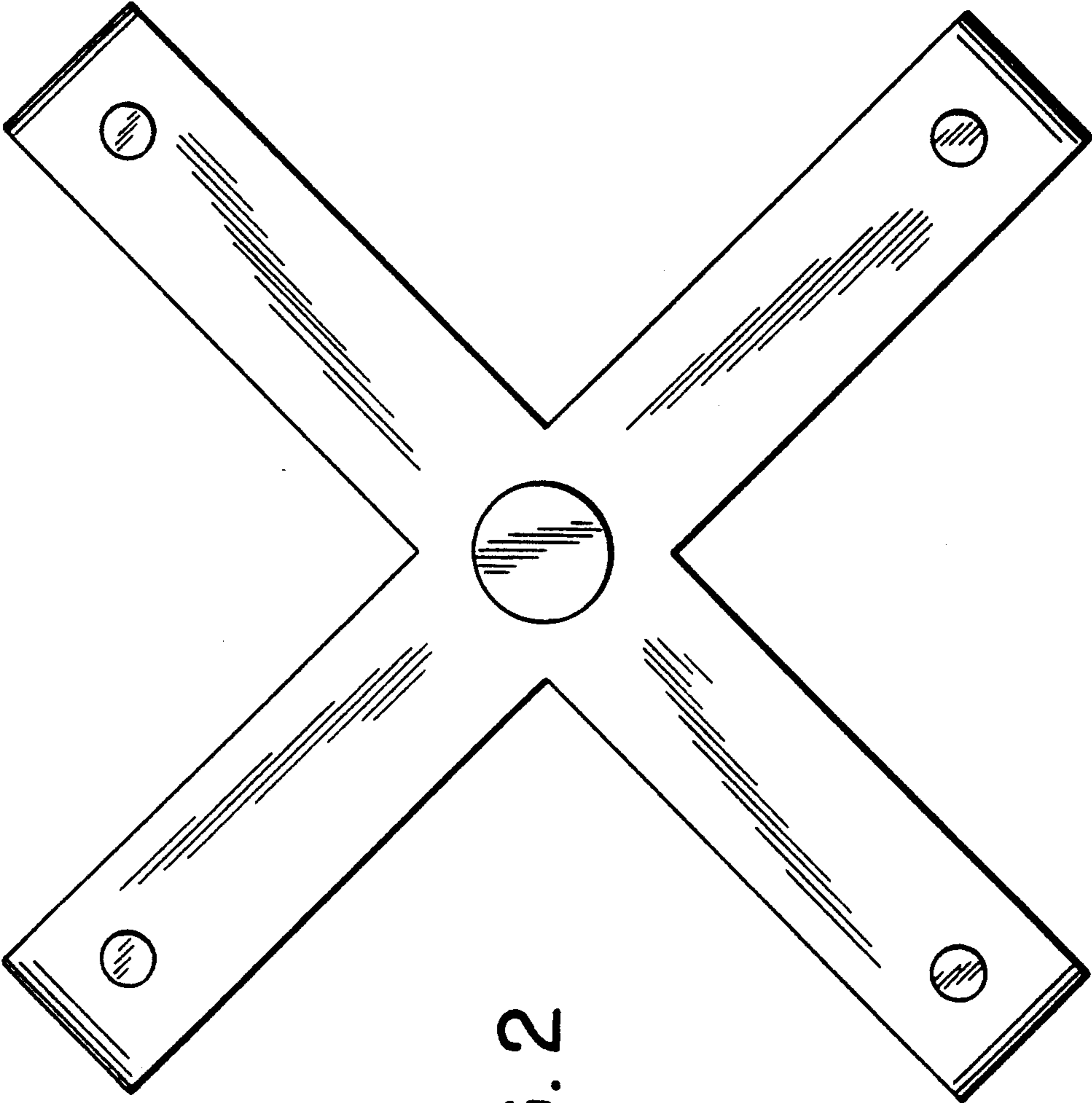


FIG. 2