



US00D342617S

United States Patent [19]

[11] Patent Number: **Des. 342,617**

Louden

[45] Date of Patent: **** Dec. 28, 1993**

[54] **MULTIPURPOSE FURNITURE UNIT**

3,972,560 8/1976 White D6/336 X

[76] Inventor: **Richard A. Loudon, R.R. #6 Box 148, Connerville, Ind. 47331**

Primary Examiner—Nelson C. Holtje
Assistant Examiner—Martha Thompson
Attorney, Agent, or Firm—Terry M. Gernstein

[**] Term: **14 Years**

[21] Appl. No.: **601,578**

[57] **CLAIM**

[22] Filed: **Oct. 23, 1990**

The ornamental design for a multipurpose furniture unit, as shown and described.

[52] U.S. Cl. **D6/335; D6/384; D6/336**

DESCRIPTION

[58] Field of Search **D6/334, 335, 336, 381, D6/384; 5/2.1, 53.1; 297/230**

FIG. 1 is a rear perspective view of a multipurpose furniture unit with the end tables in a closed position, showing my new design;

[56] **References Cited**

U.S. PATENT DOCUMENTS

896,277	8/1908	De Witt	5/53.1 X
1,379,499	5/1921	Williford	297/238 X
1,426,463	8/1922	Coopersmith	5/2.1
1,623,251	4/1927	Konrad	5/53.1 X
2,252,310	8/1941	Waldman	5/2.1
2,661,485	12/1953	Gursky	5/53.1 X
3,423,772	1/1969	Mainguy	.
3,596,297	8/1971	James	.
3,608,101	9/1971	Castro	5/2

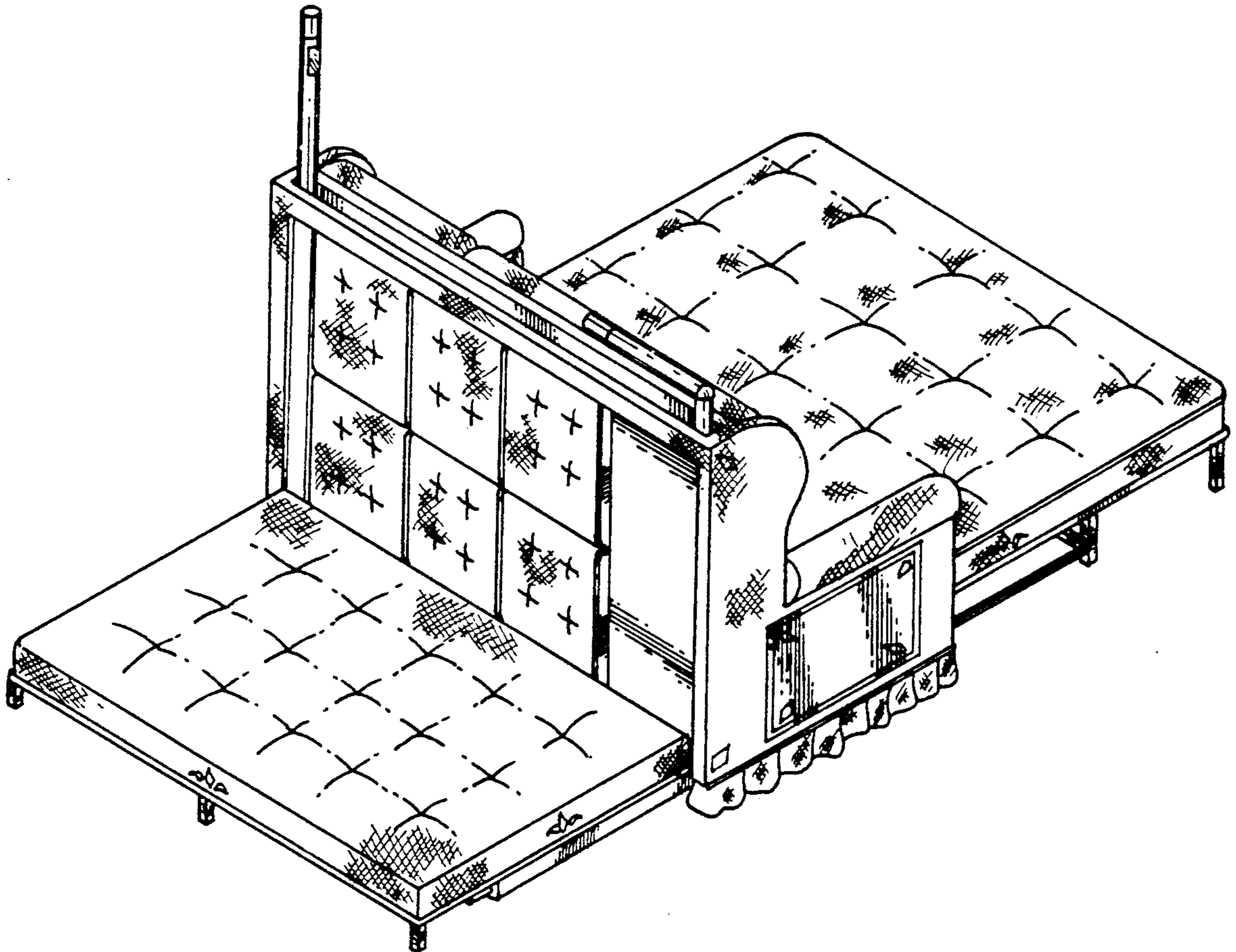
FIG. 2 is a front elevational view showing the end tables in an alternate use thereof;

FIG. 3 is a rear elevational view showing the end tables in an alternate use thereof;

FIG. 4 is a right side elevational view with the end tables in an alternate use, the left side being a mirror image thereof;

FIG. 5 is a top plan view with the end tables in an alternate use thereof; and,

FIG. 6 is a bottom plan view with the end tables in an alternate use thereof.



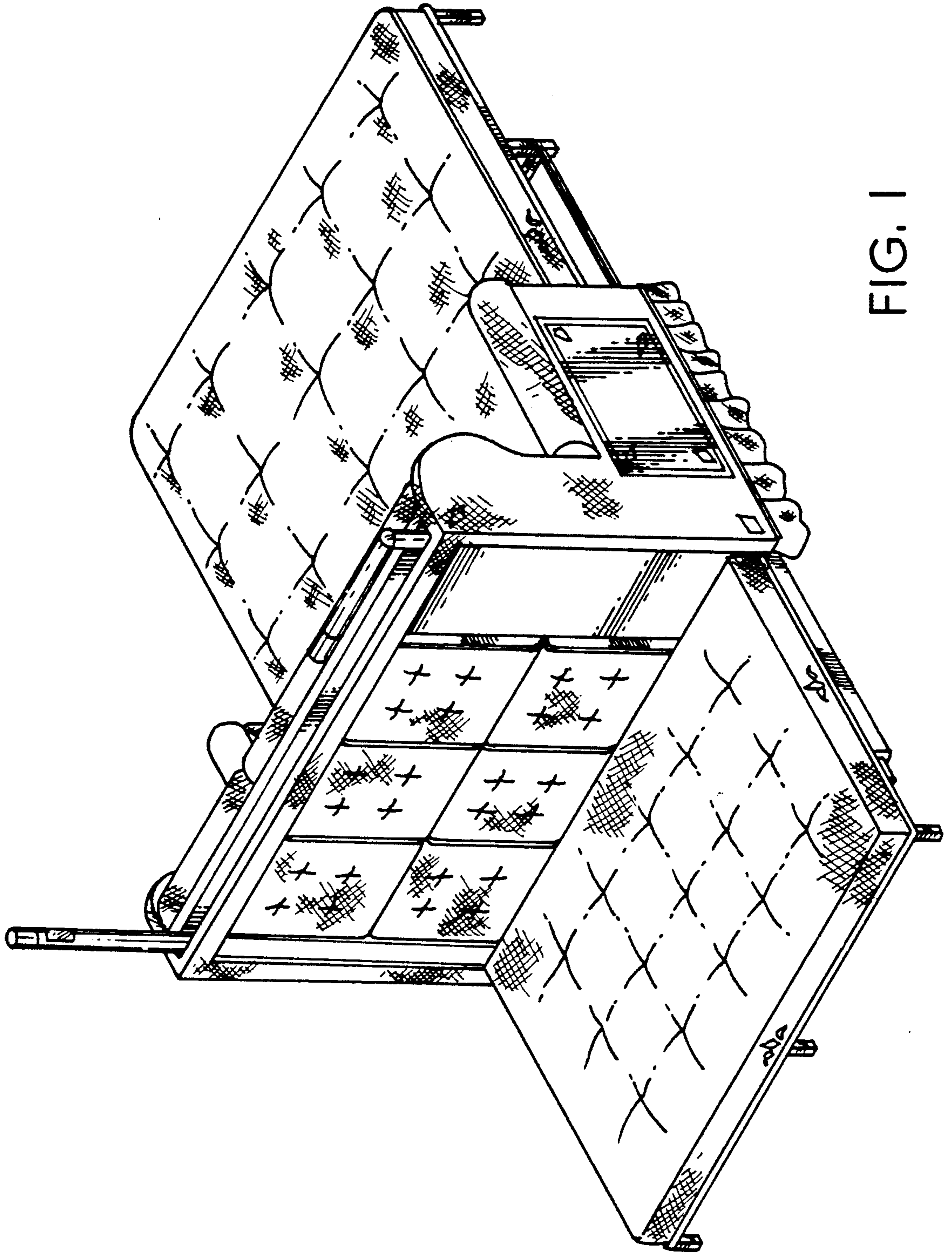


FIG. 1

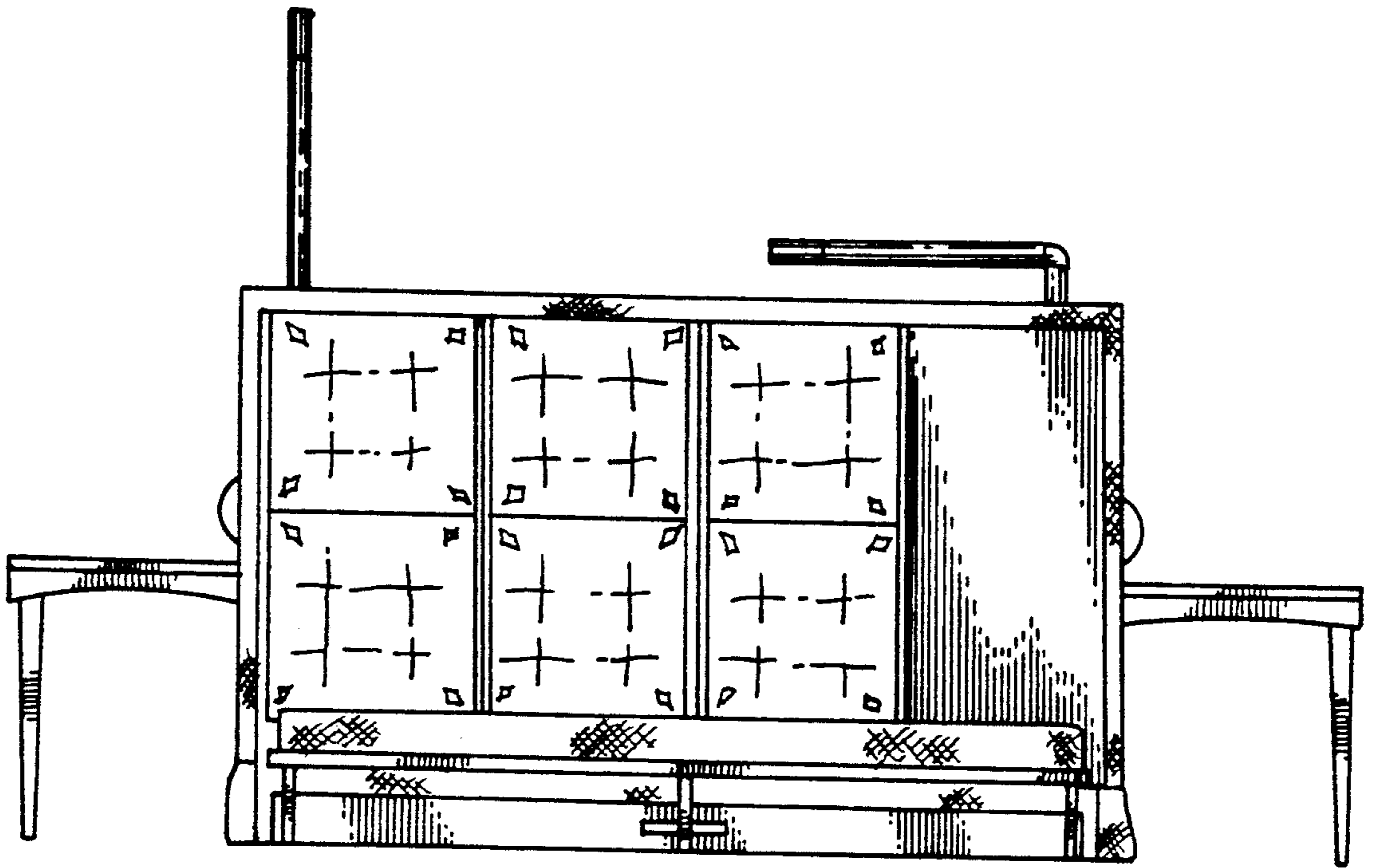


FIG. 3

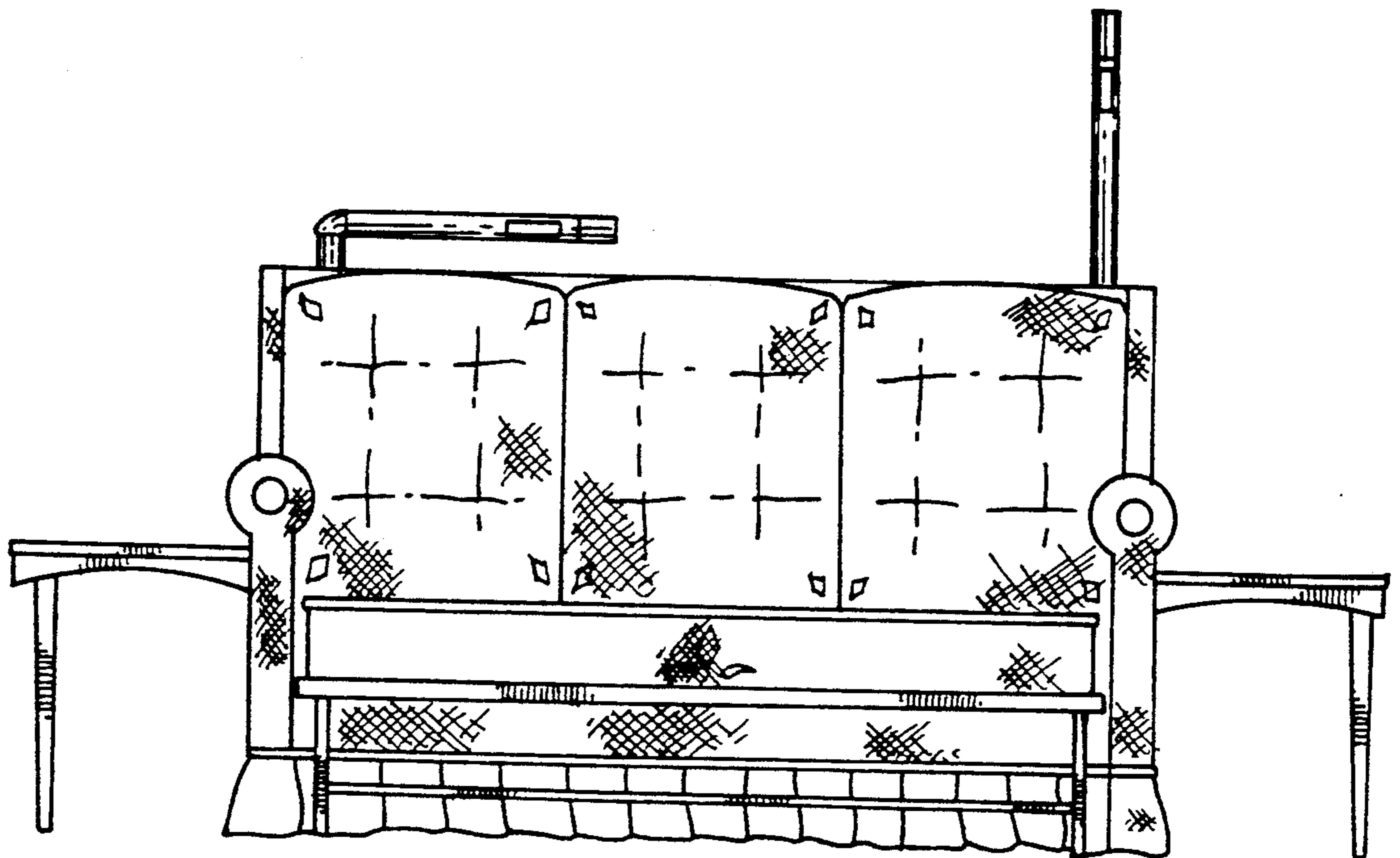


FIG. 2

FIG. 4

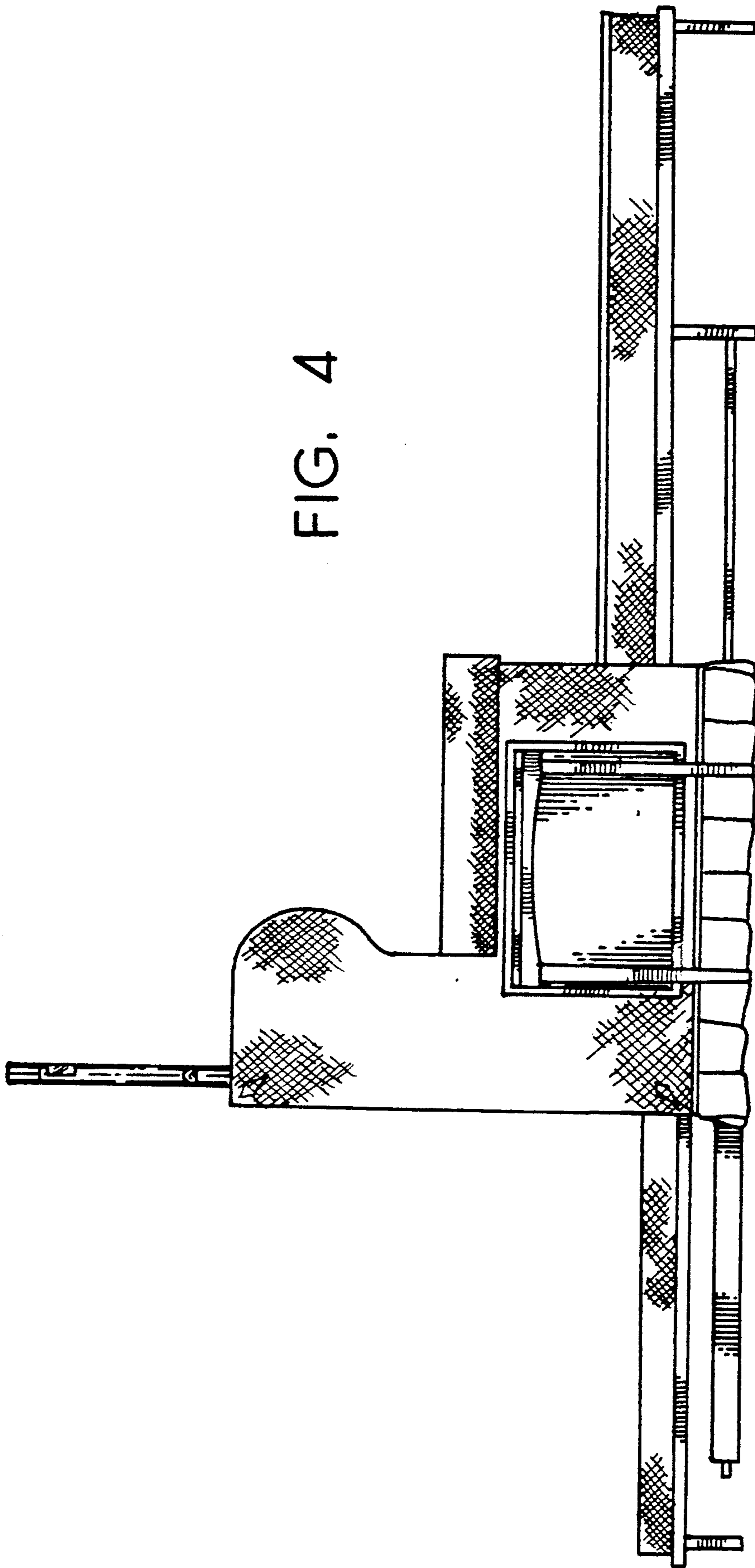


FIG. 5

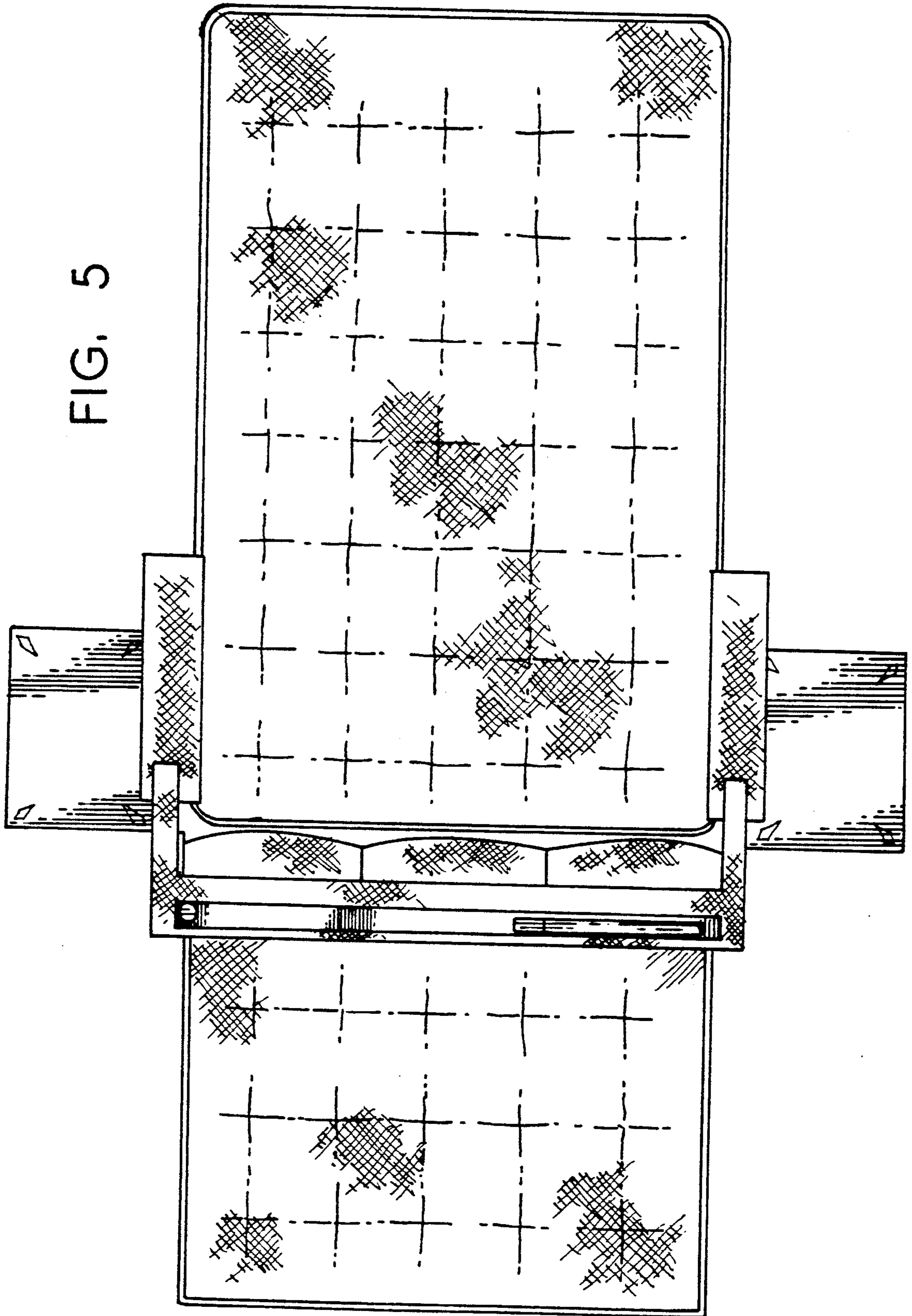


FIG. 6

