



US00D342592S

United States Patent [19]
Lindsay

[11] **Patent Number: Des. 342,592**

[45] **Date of Patent: ** Dec. 21, 1993**

[54] **PAINT CAN BRUSH SUPPORT**

4,991,803 2/1991 Buder 248/113
4,993,671 2/1991 Ste. Marie 248/113

[76] **Inventor: Paul E. Lindsay, 524 Valley Dr.,
Crawfordsville, Ind. 47933**

Primary Examiner—Wallace R. Burke
Assistant Examiner—Lavone D. Tabor
Attorney, Agent, or Firm—Terry M. Gernstein

[**] **Term: 14 Years**

[21] **Appl. No.: 873,075**

[57] **CLAIM**

[22] **Filed: Apr. 24, 1992**

The ornamental design for a paint can brush support, as shown and described.

[52] **U.S. Cl. D32/54**

[58] **Field of Search D32/53, 53.1, 54;
220/694-701; 248/110, 113**

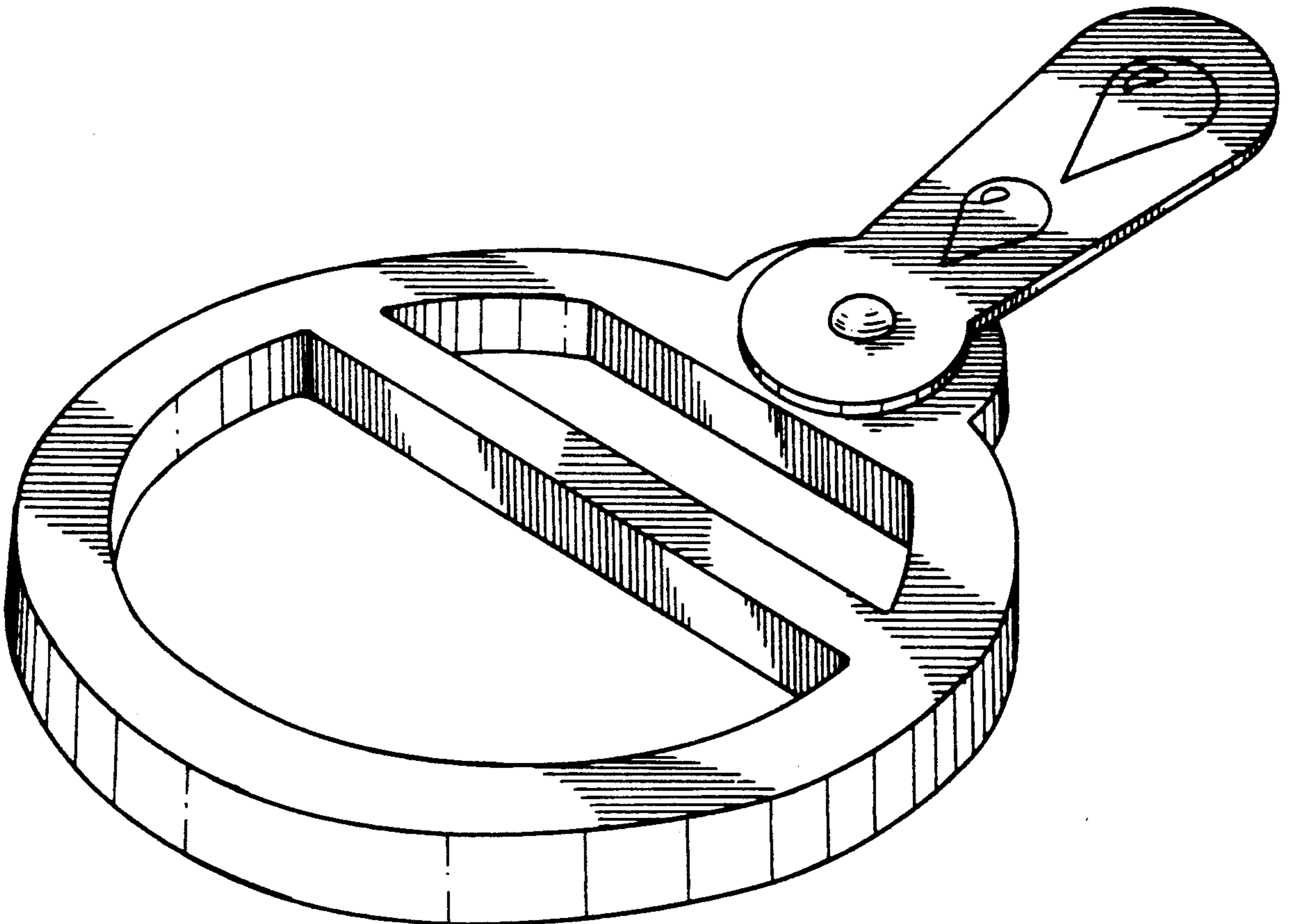
DESCRIPTION

[56] **References Cited**

U.S. PATENT DOCUMENTS

2,803,374	8/1957	Cash	220/696
2,873,044	2/1959	Rutledge, Sr.	220/696
2,903,154	9/1959	Hendershot	220/697
4,225,064	9/1980	Westcott	220/695
4,266,686	5/1981	Carter	248/113 X

FIG. 1 is a perspective view of the paint can brush support embodying the design of the present invention; FIG. 2 is a front elevational view thereof; FIG. 3 is a rear elevational view thereof; FIG. 4 is a side elevational view thereof, the side opposite being a mirror image of the side shown in FIG. 4; FIG. 5 is a top plan view thereof; and, FIG. 6 is a bottom view thereof.



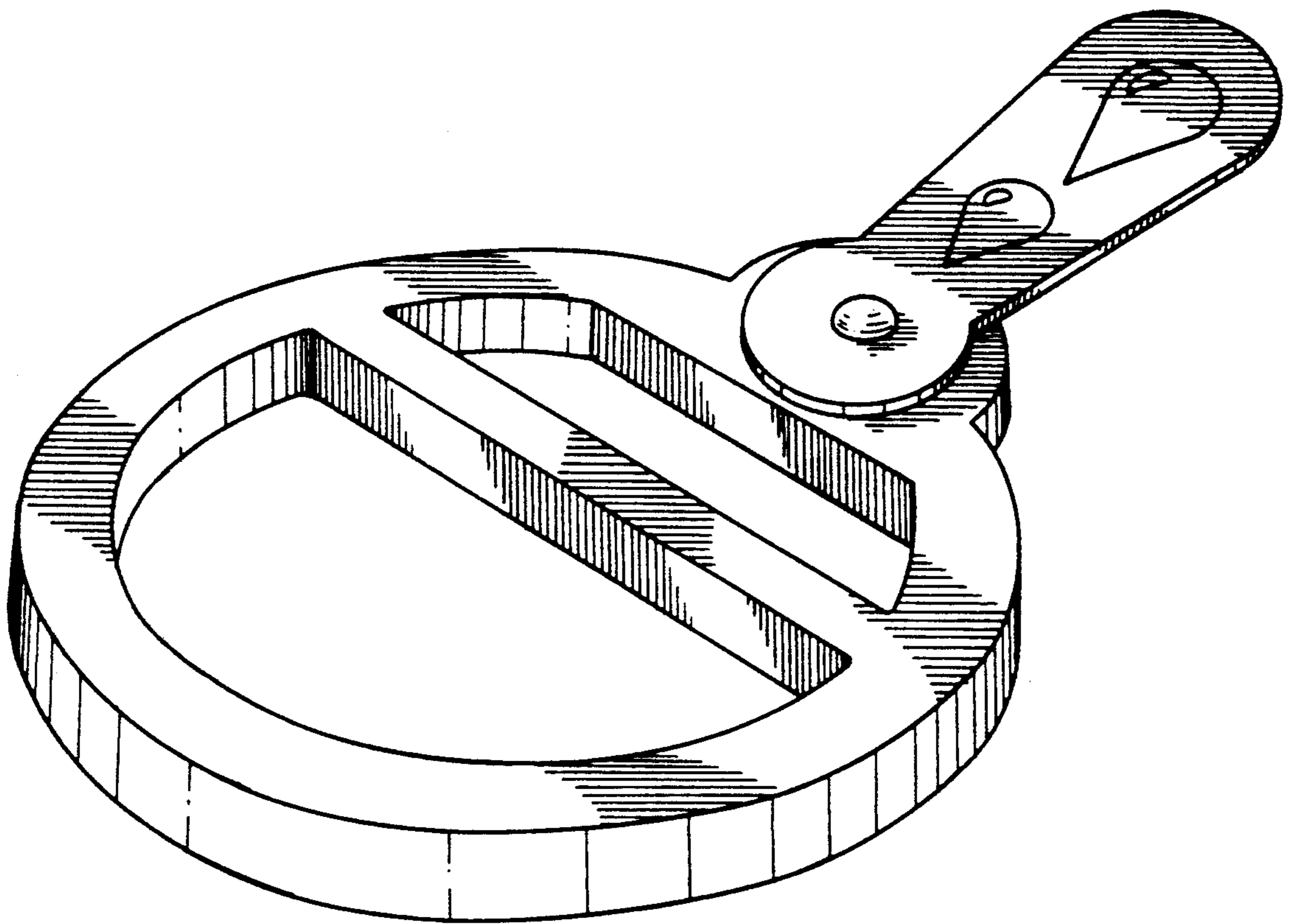


FIG. 1.

FIG. 2.

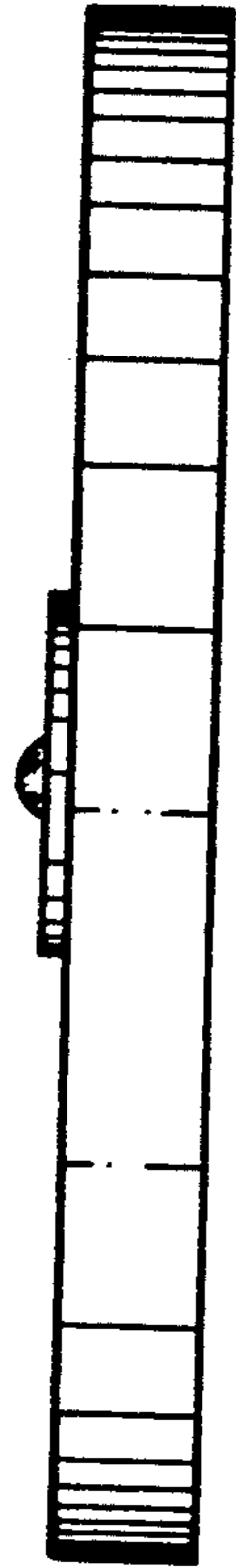


FIG. 3.

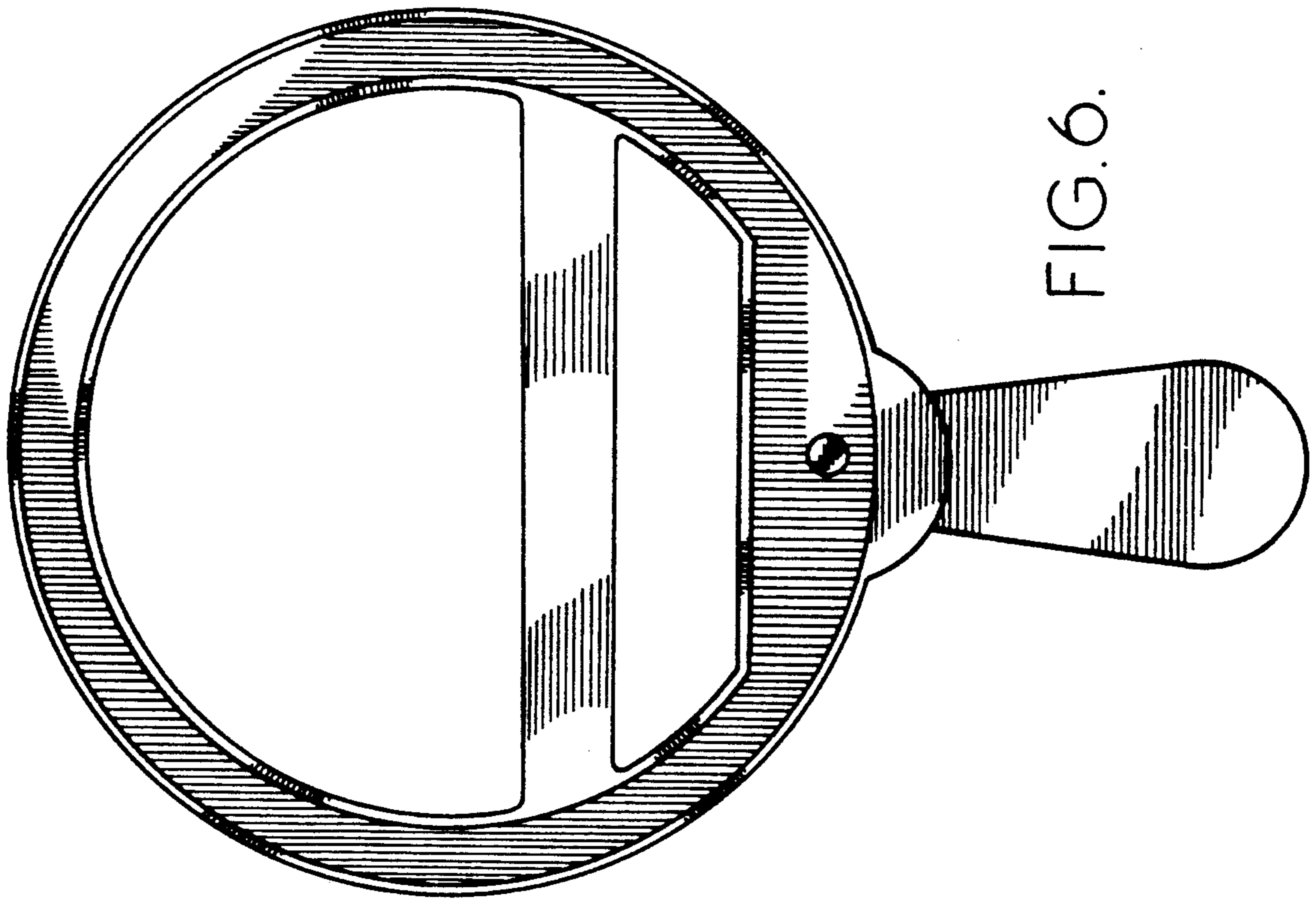
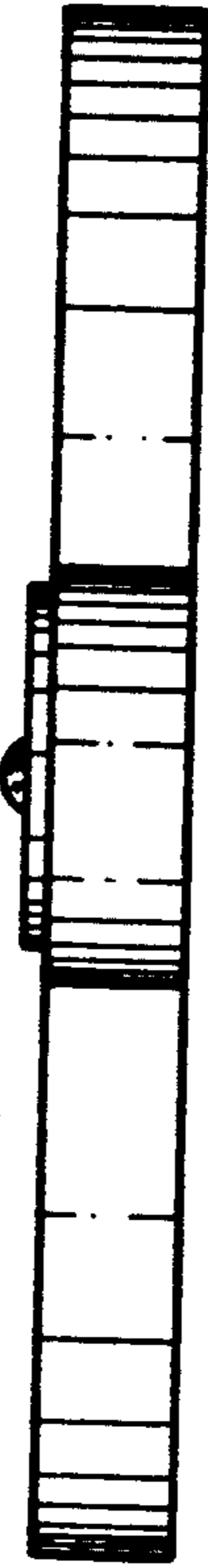


FIG. 6.

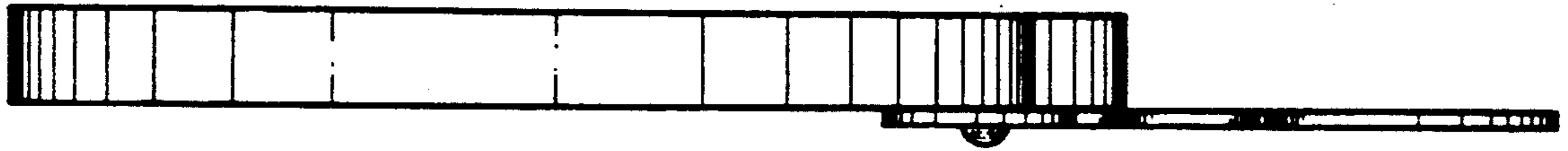


FIG. 4.

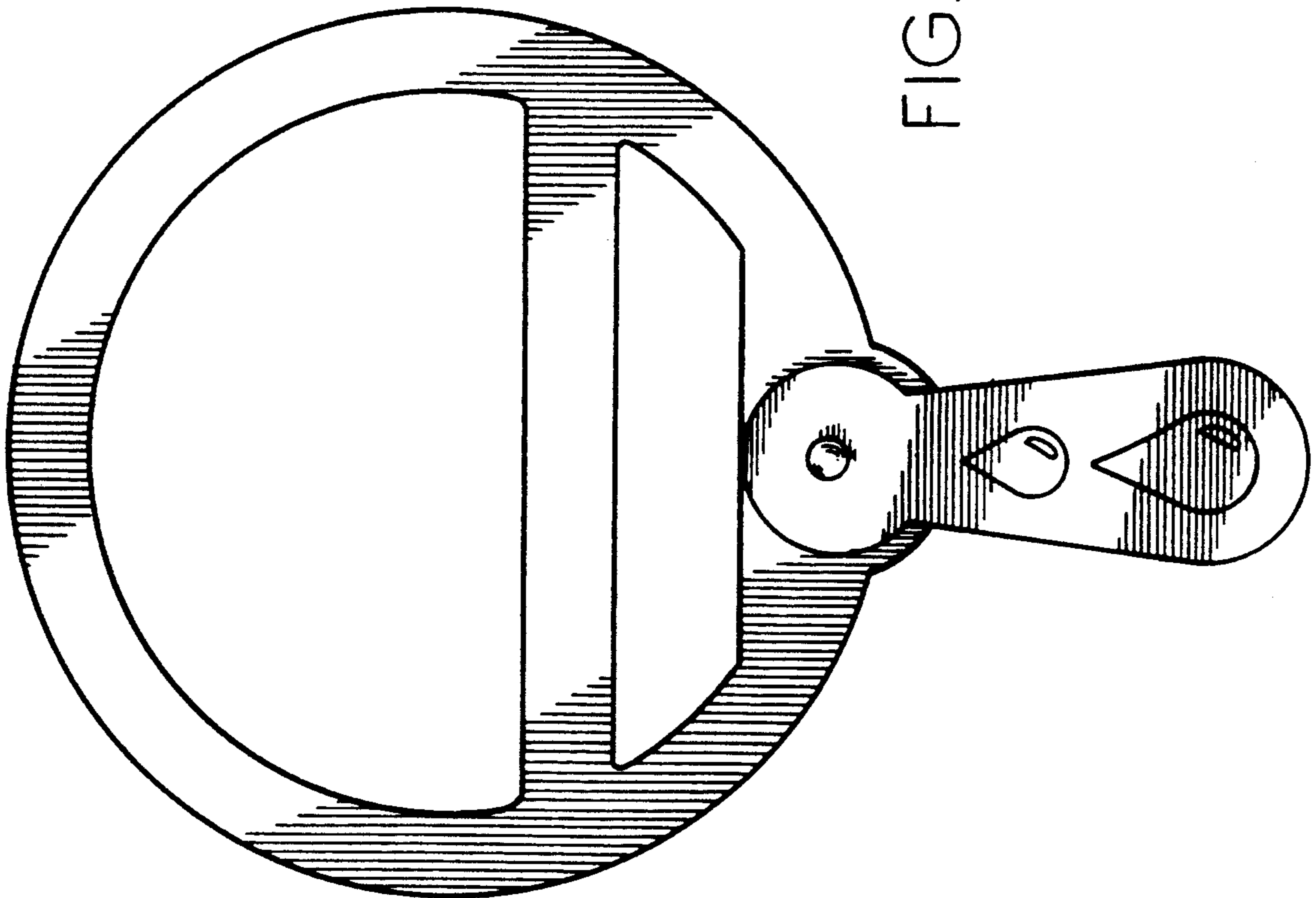


FIG. 5.