



US00D342585S

United States Patent [19]

Fischbach et al.

[11] Patent Number: **Des. 342,585**

[45] Date of Patent: **** Dec. 21, 1993**

[54] **ORGANIZER FOR CURLING IRONS**

1,662,077 3/1928 Schwartz 211/13 X
5,031,778 7/1991 Edgecombe 211/13

[76] Inventors: **Fernando Fischbach; Ross I. Stillwagon**, both of 12741 Los Nietos Rd., Santa Fe Springs, Calif. 90670

Primary Examiner—Bernard Ansher
Assistant Examiner—C. Tuttle
Attorney, Agent, or Firm—Ronald L. Juniper

[**] Term: **14 Years**

[57] **CLAIM**

[21] Appl. No.: **618,091**

The ornamental design for an organizer for curling irons, as shown and described.

[22] Filed: **Nov. 26, 1990**

[52] U.S. Cl. **D28/38; D28/73**

[58] Field of Search **D28/9, 38, 61, 73; D19/75; D6/524; 211/70.6, 13; 206/372, 373**

DESCRIPTION

FIG. 1 is a top perspective view of an organizer for curling irons showing my new design;
FIG. 2 is an enlarged front elevational view thereof;
FIG. 3 is a top plan view thereof;
FIG. 4 is a right side elevational view thereof;
FIG. 5 is a rear elevational view thereof;
FIG. 6 is a left side elevational view thereof; and,
FIG. 7 is a bottom plan view thereof.

[56] References Cited

U.S. PATENT DOCUMENTS

D. 217,789 6/1970 Oddo D19/85
D. 243,559 3/1977 Hoyle et al. D28/38
D. 314,067 1/1991 Ward D28/38

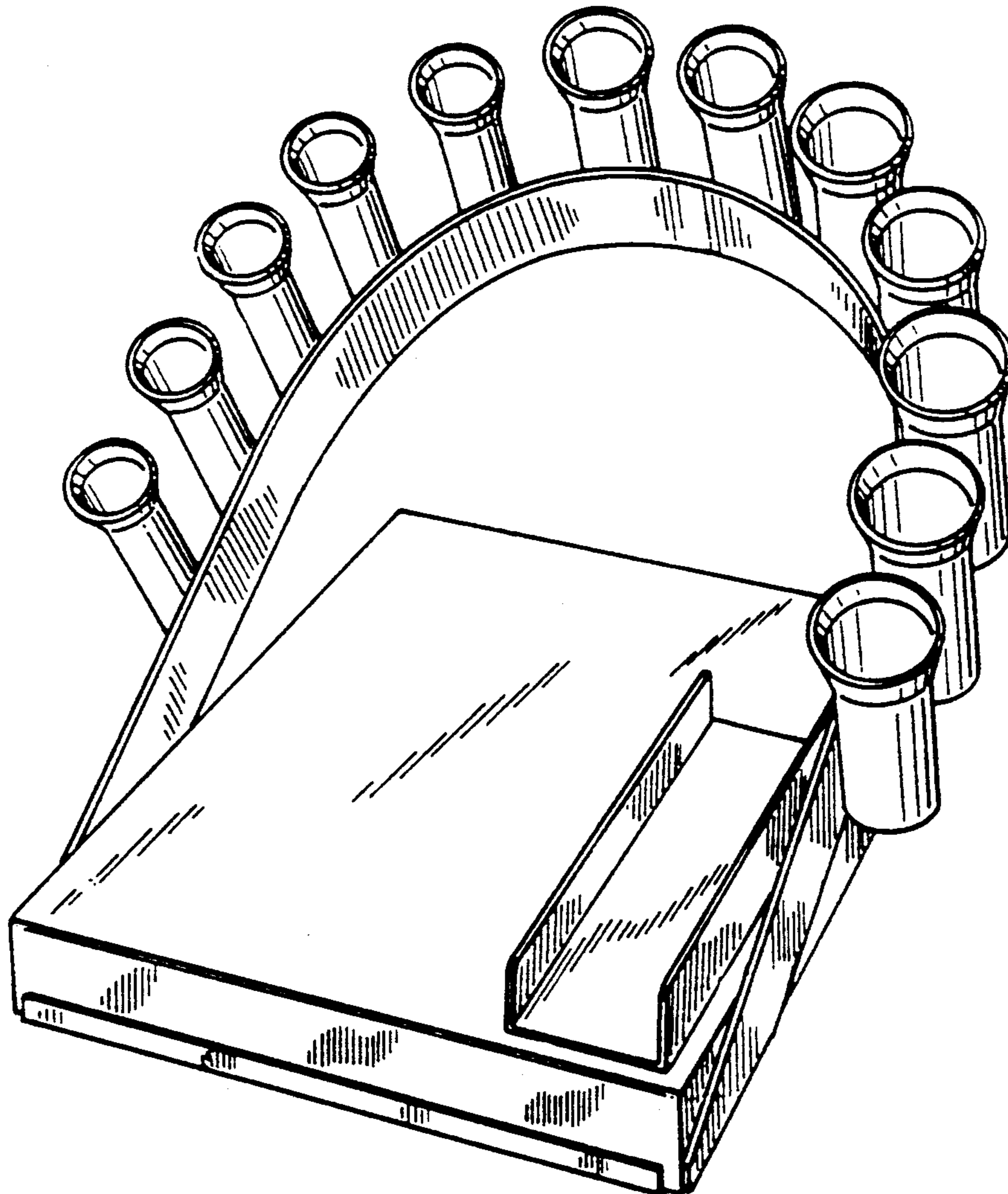


FIG- 1

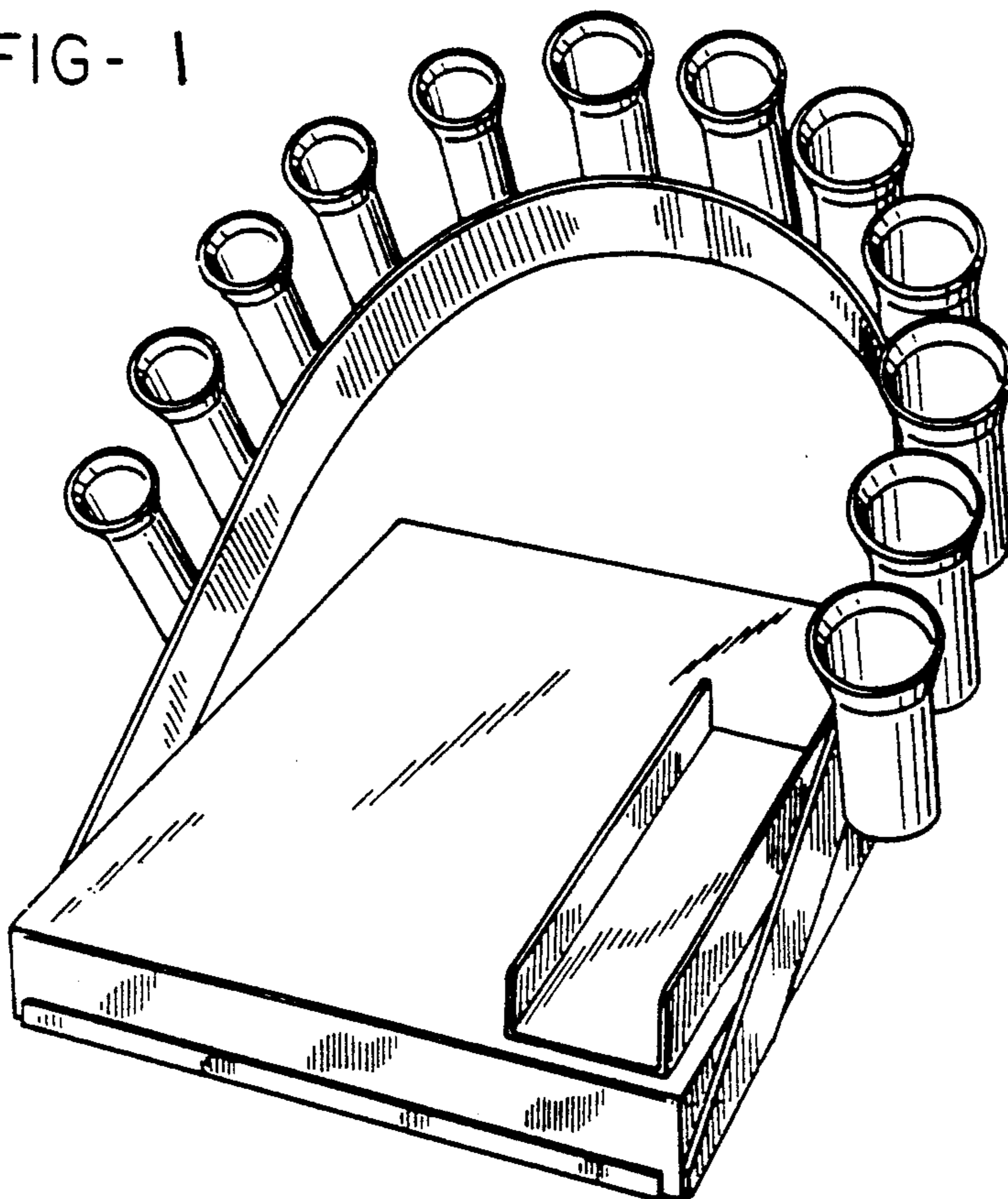


FIG- 2

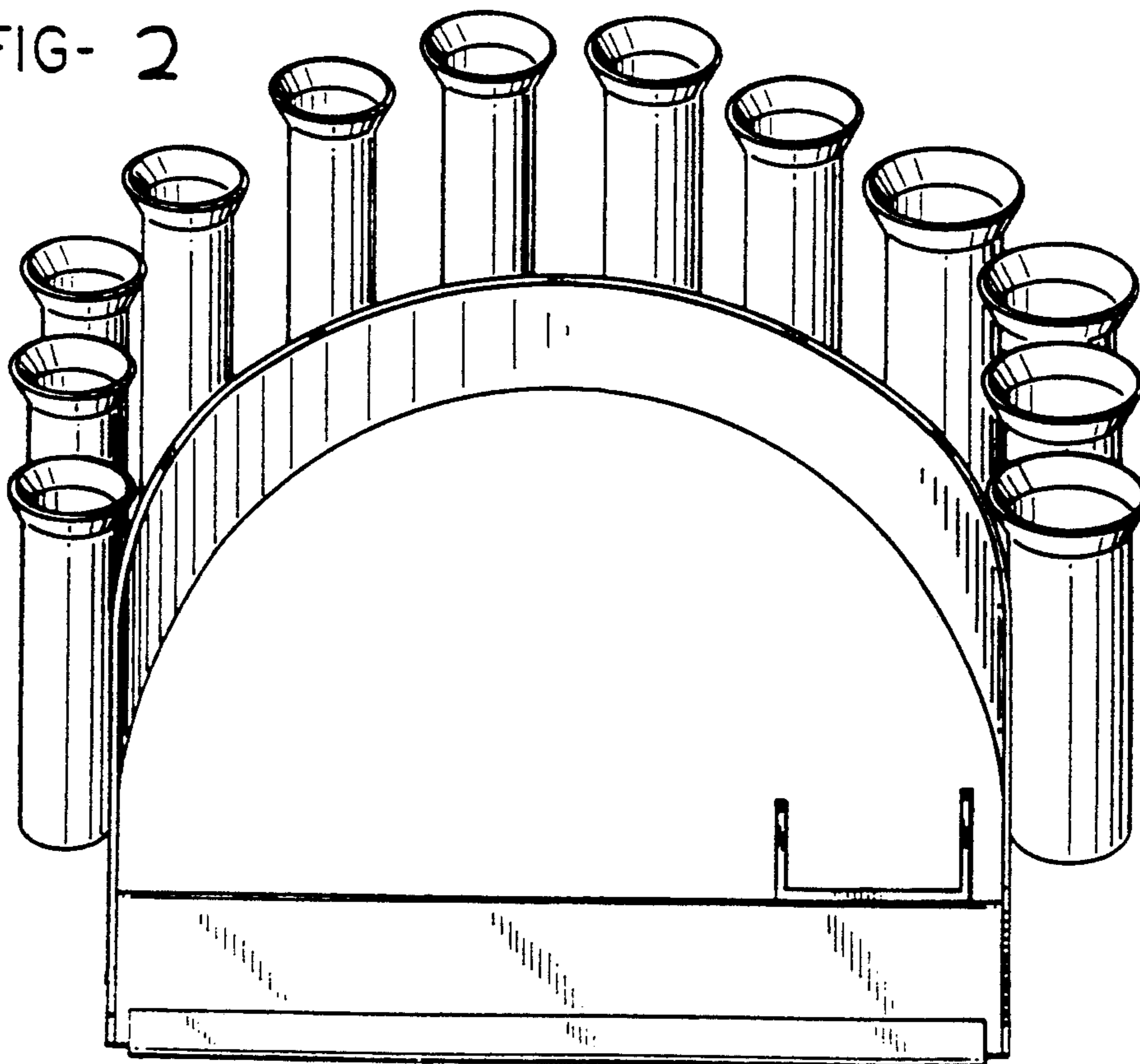


FIG- 3

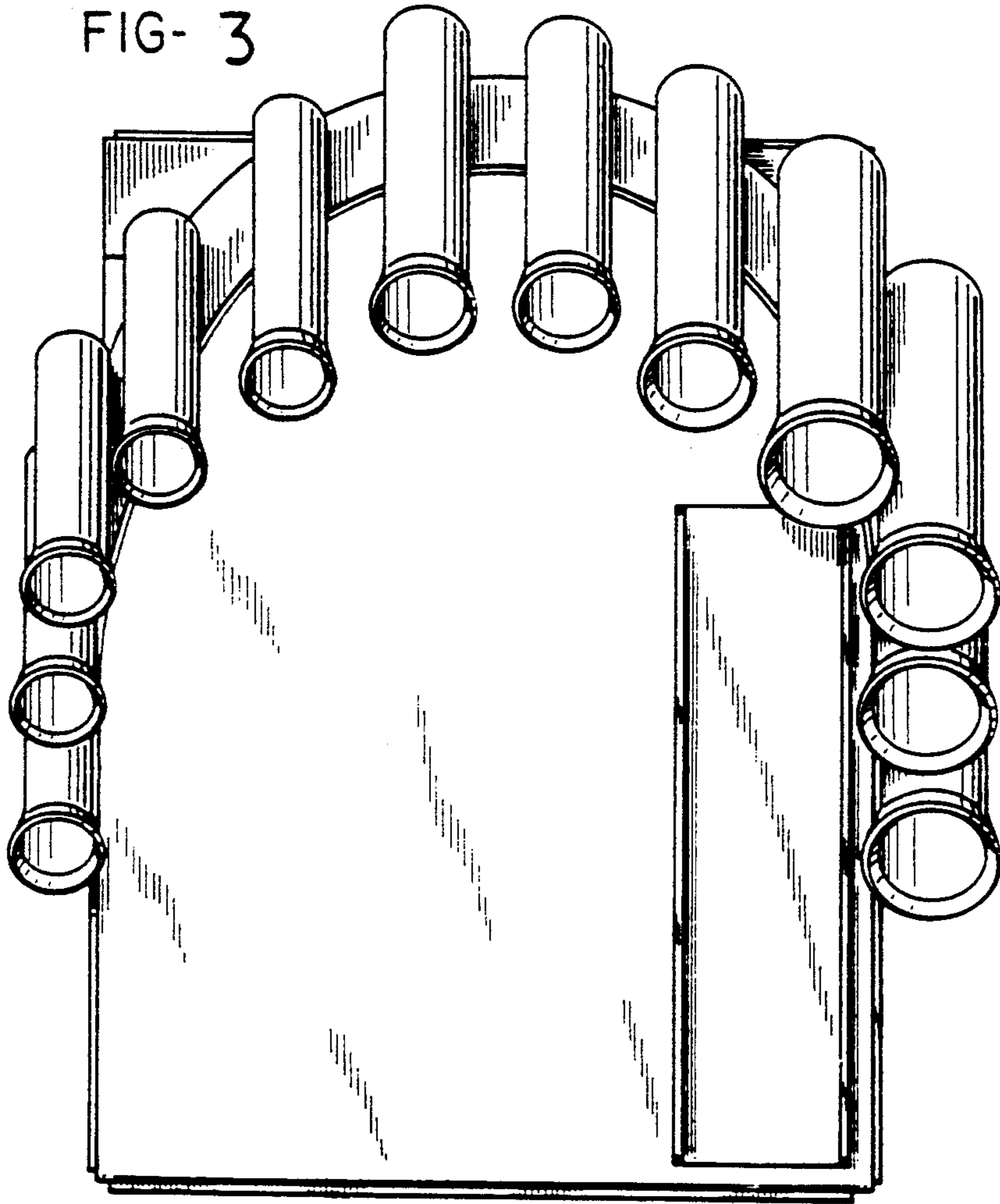


FIG- 4

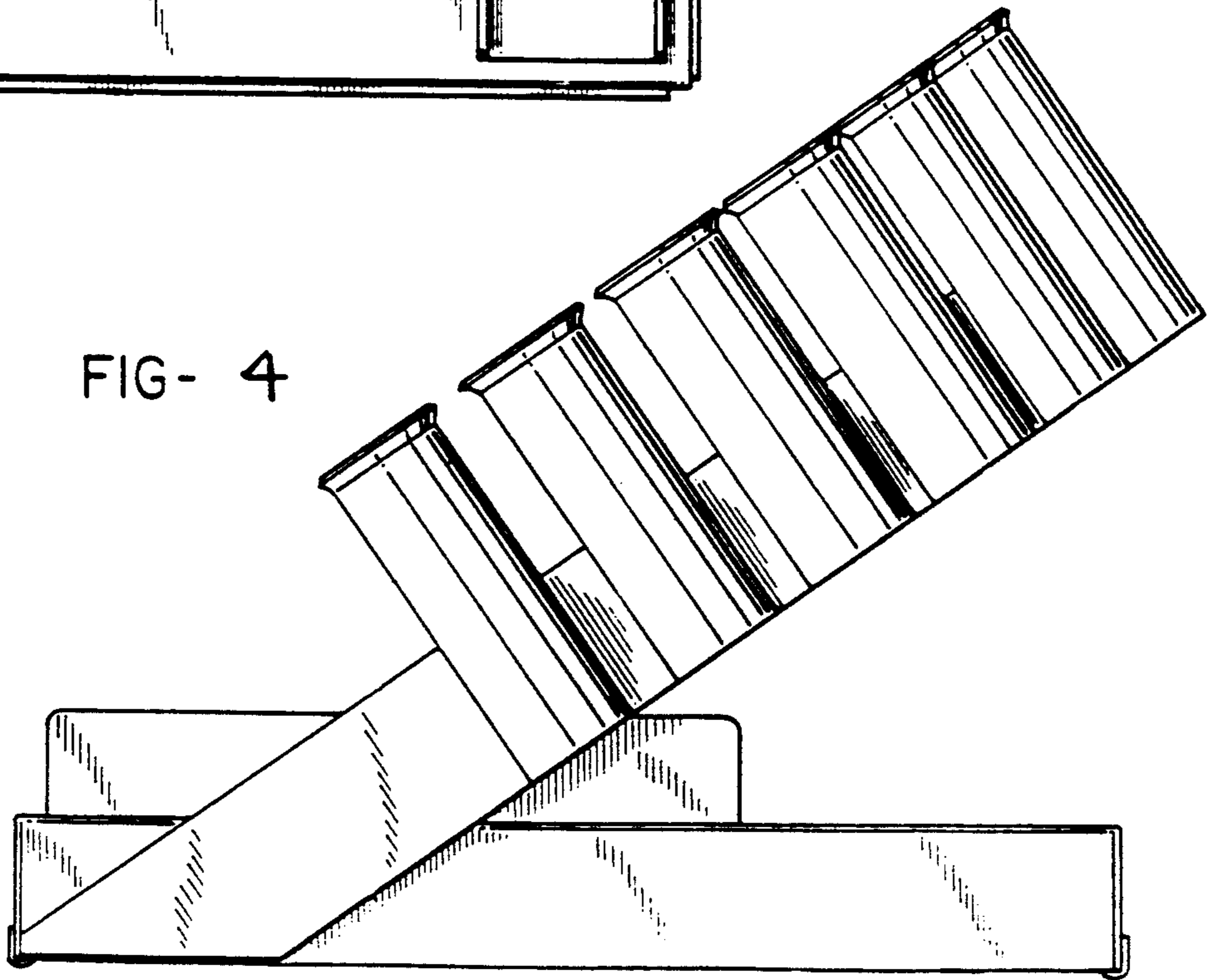


FIG-5

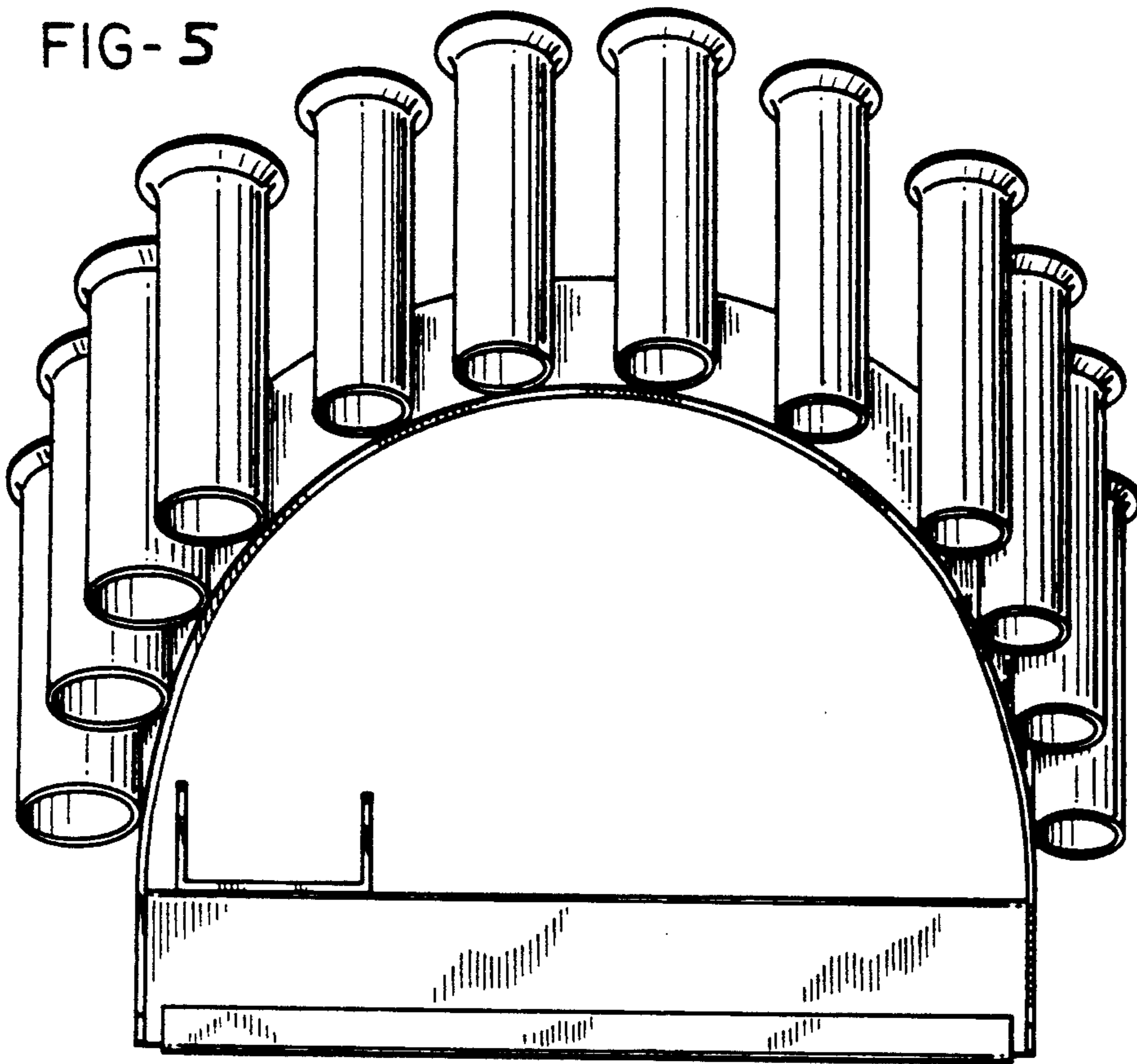
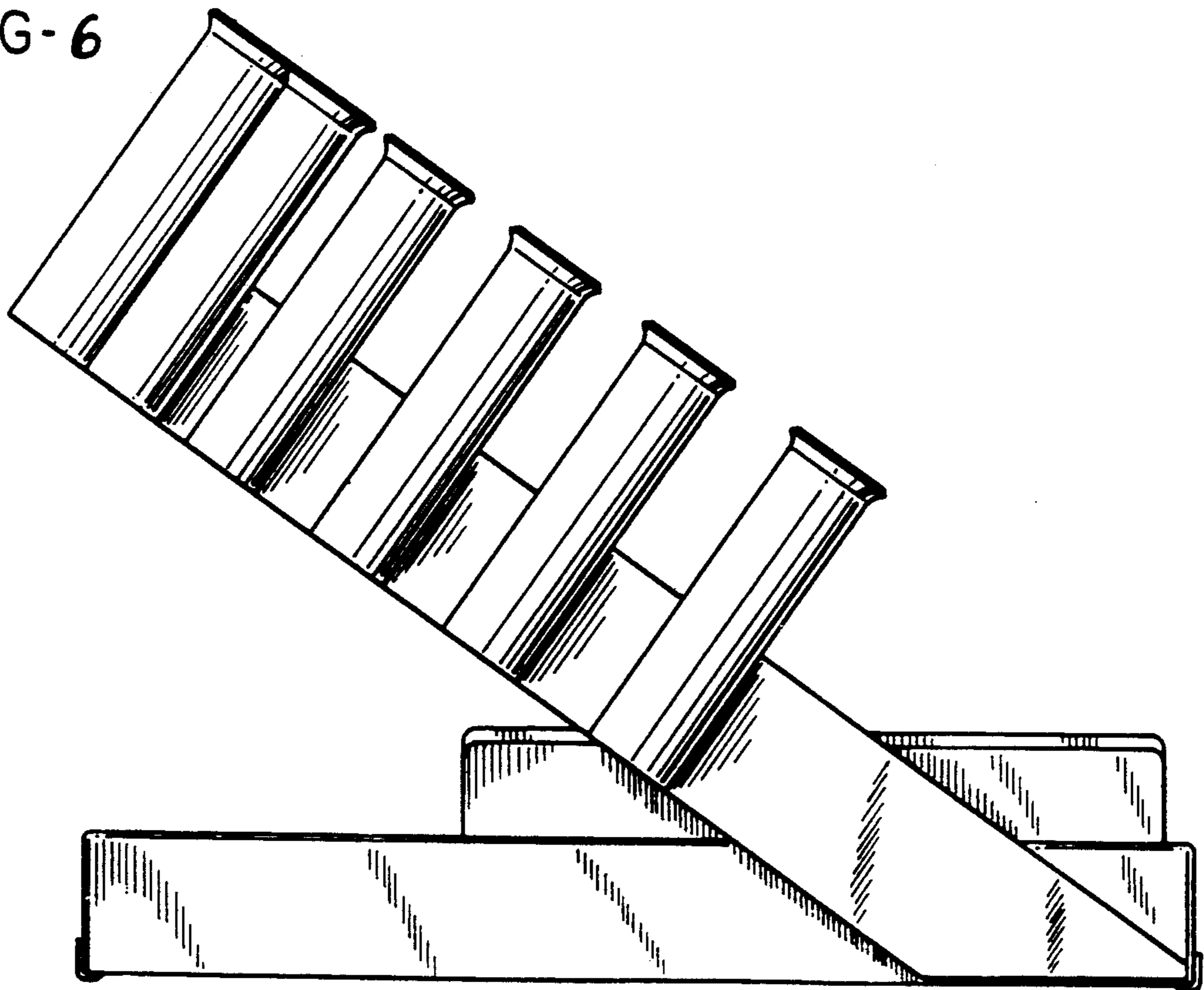


FIG-6



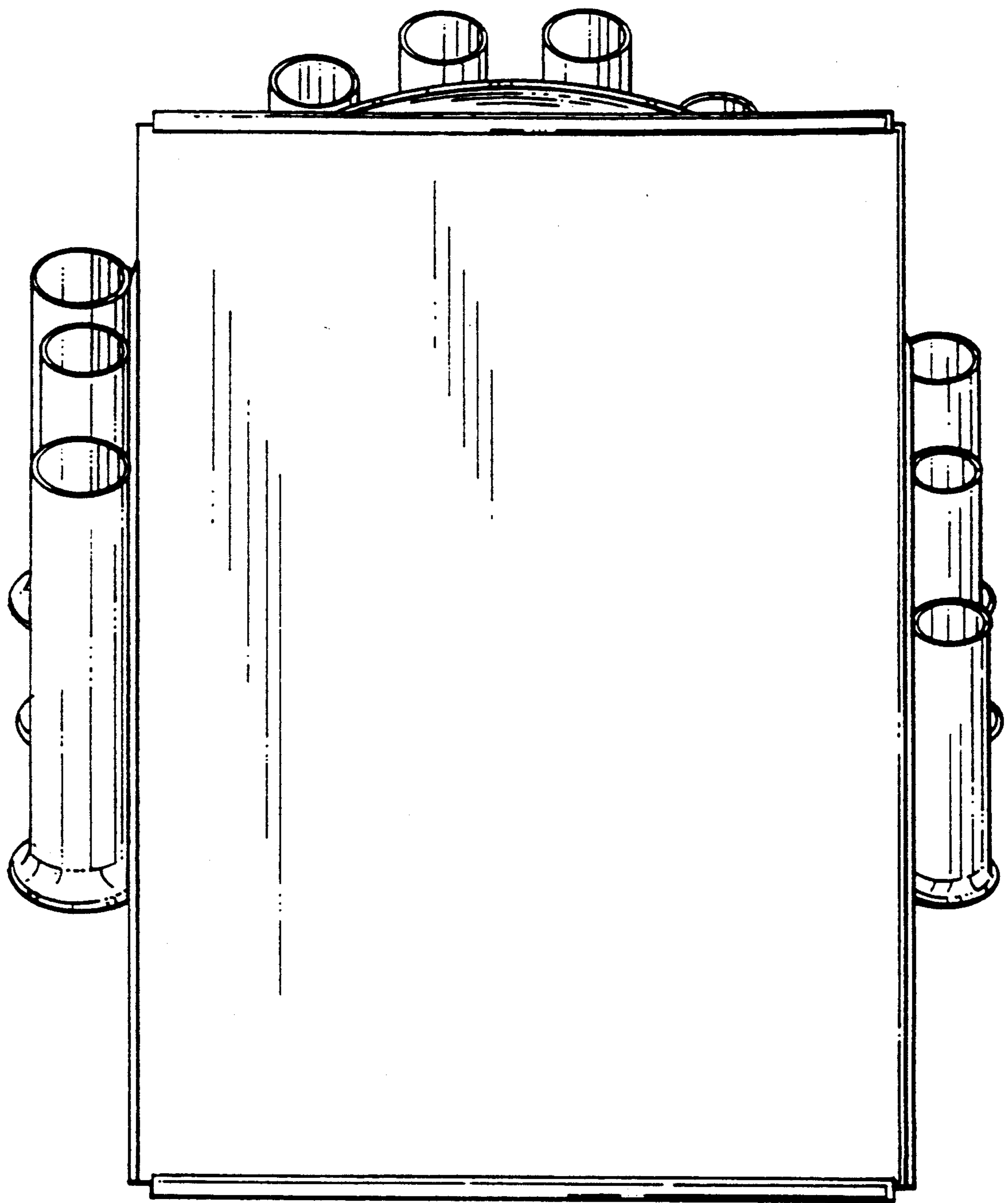


FIG. 7