



US00D342584S

**United States Patent** [19]  
**Anderson**

[11] **Patent Number: Des. 342,584**

[45] **Date of Patent: \*\* Dec. 21, 1993**

[54] **HAIR TREATMENT DISPENSING UNIT**

5,165,811 11/1992 MacLeod ..... 401/37 X

[76] **Inventor: Antonio Anderson, 2308 Candler Rd., Decatur, Ga. 30032**

*Primary Examiner—Bernard Ansher  
Assistant Examiner—Mitchell Siegel  
Attorney, Agent, or Firm—Rodgers & Rodgers*

[\*\*] **Term: 14 Years**

[21] **Appl. No.: 801,091**

[57] **CLAIM**

[22] **Filed: Dec. 2, 1991**

The ornamental design for a hair treatment dispensing unit, as shown and described.

[52] **U.S. Cl. .... D28/7**

[58] **Field of Search .... D28/7, 10, 20;  
D4/114-116; 132/207, 208, 212, 333; 401/6, 9,  
37, 38, 137, 195**

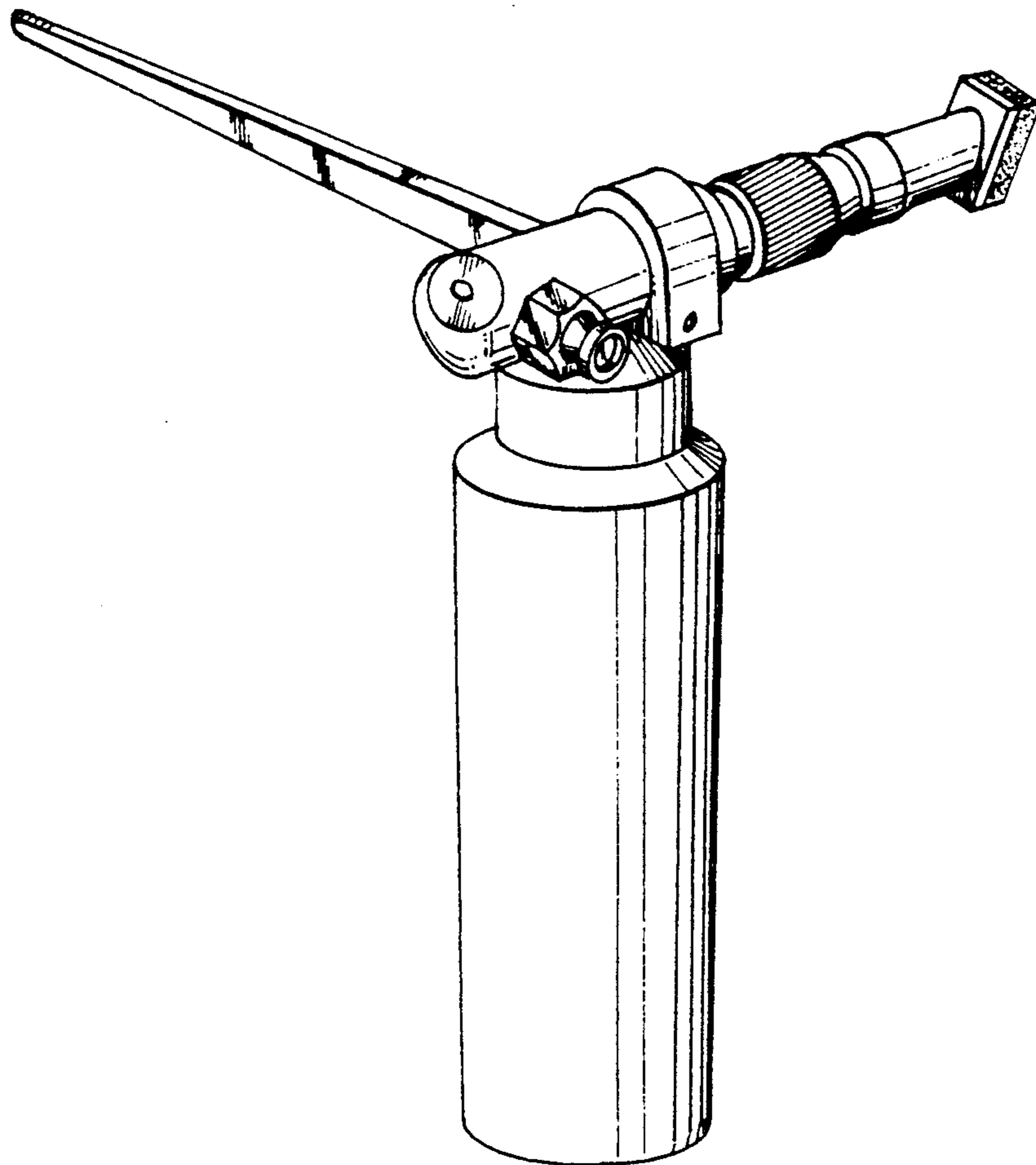
**DESCRIPTION**

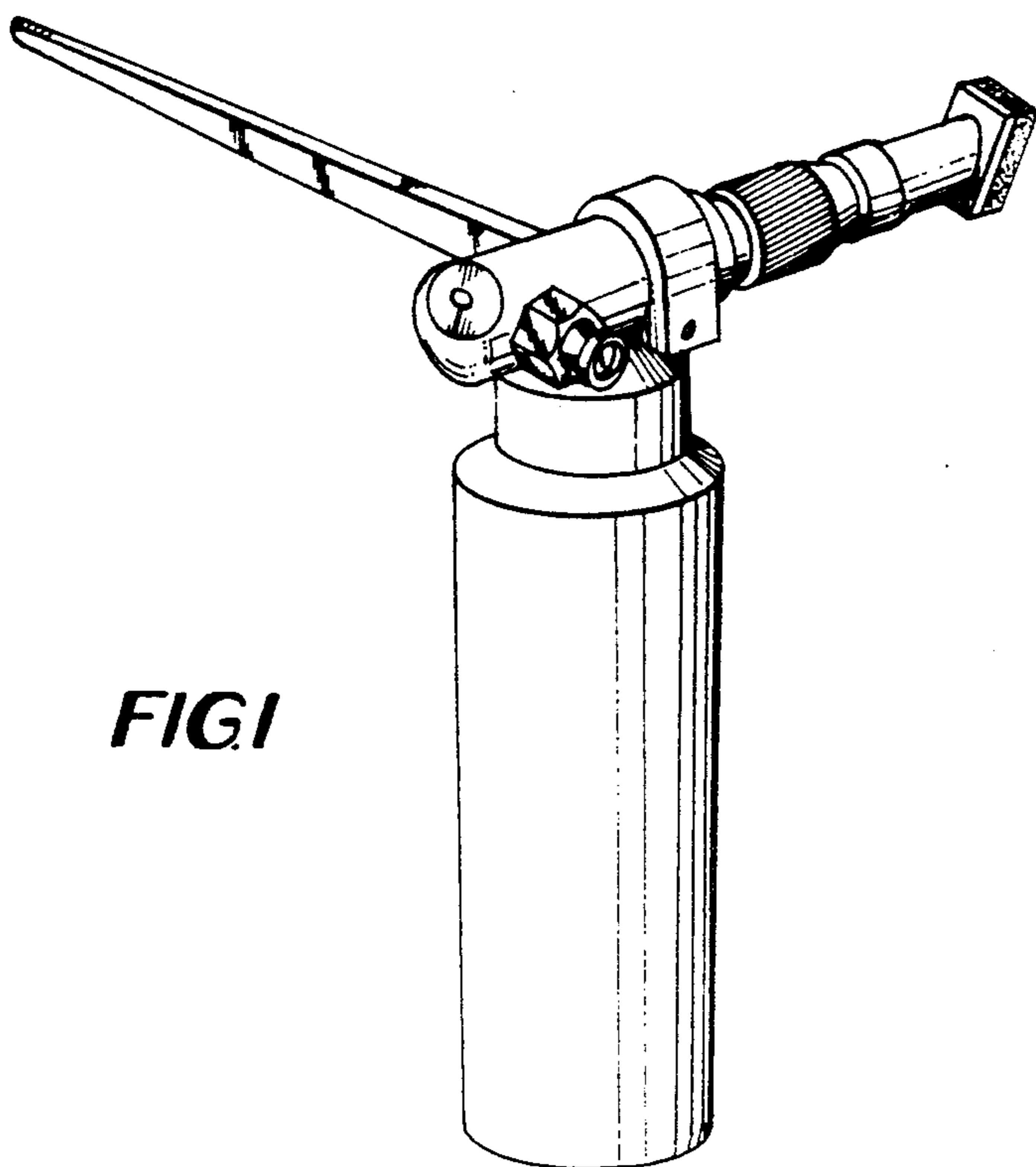
FIG. 1 is a perspective view of a hair treatment dispensing unit showing my new design;  
FIG. 2 is a right side elevational view thereof;  
FIG. 3 top plan view thereof;  
FIG. 4 is a front elevation thereof;  
FIG. 5 is a left side elevational view thereof;  
FIG. 6 is a rear elevation thereof; and,  
FIG. 7 is a bottom plan view thereof, shown fragmentarily for convenience of illustration.

[56] **References Cited**

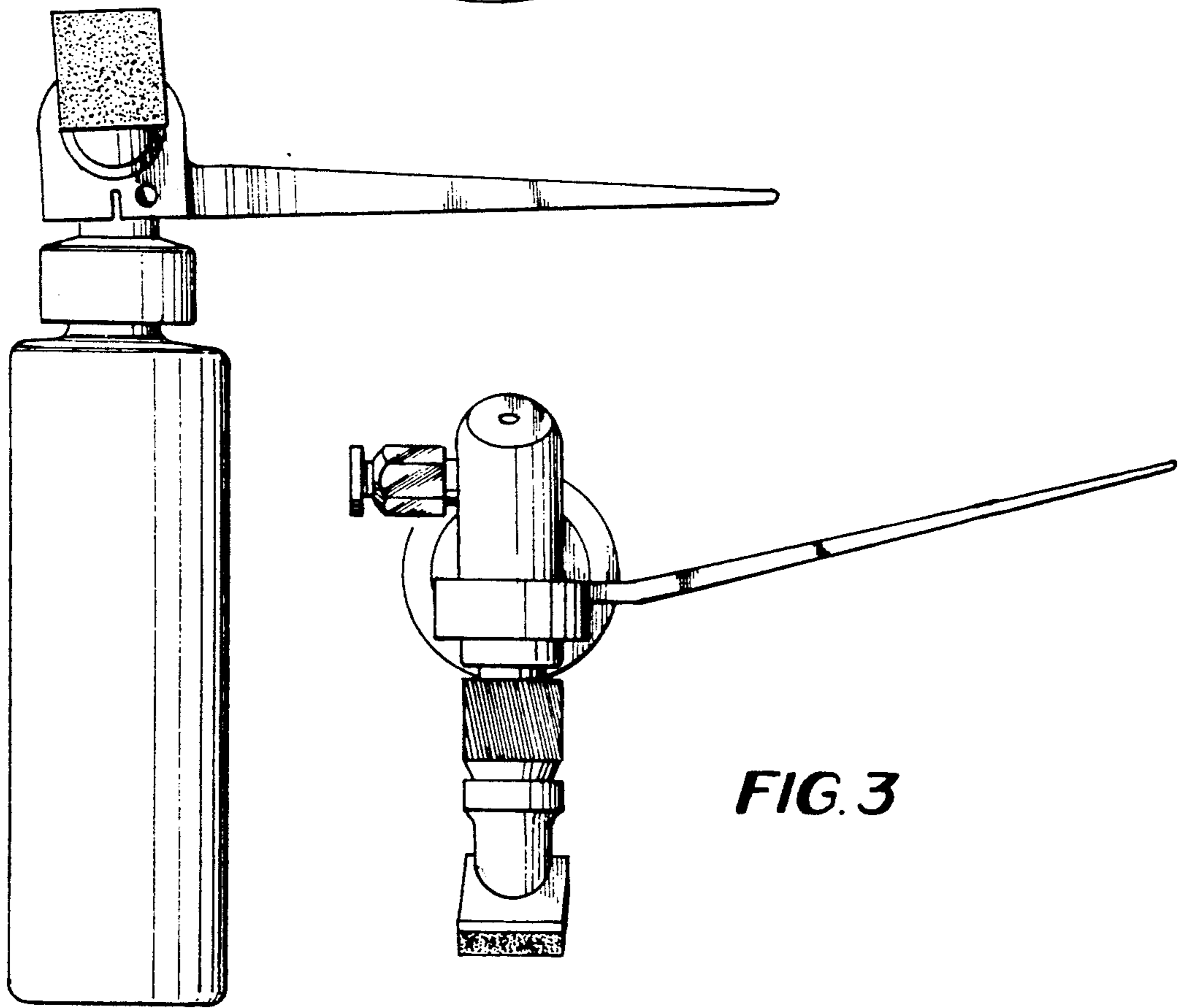
**U.S. PATENT DOCUMENTS**

D. 249,099	8/1978	Taylor	.....	D4/114
D. 275,128	8/1984	Dougherty	.....	D9/300 X
3,204,644	9/1965	McDougall-Kaley	.....	132/212
4,209,027	6/1980	Morganroth	.....	132/212



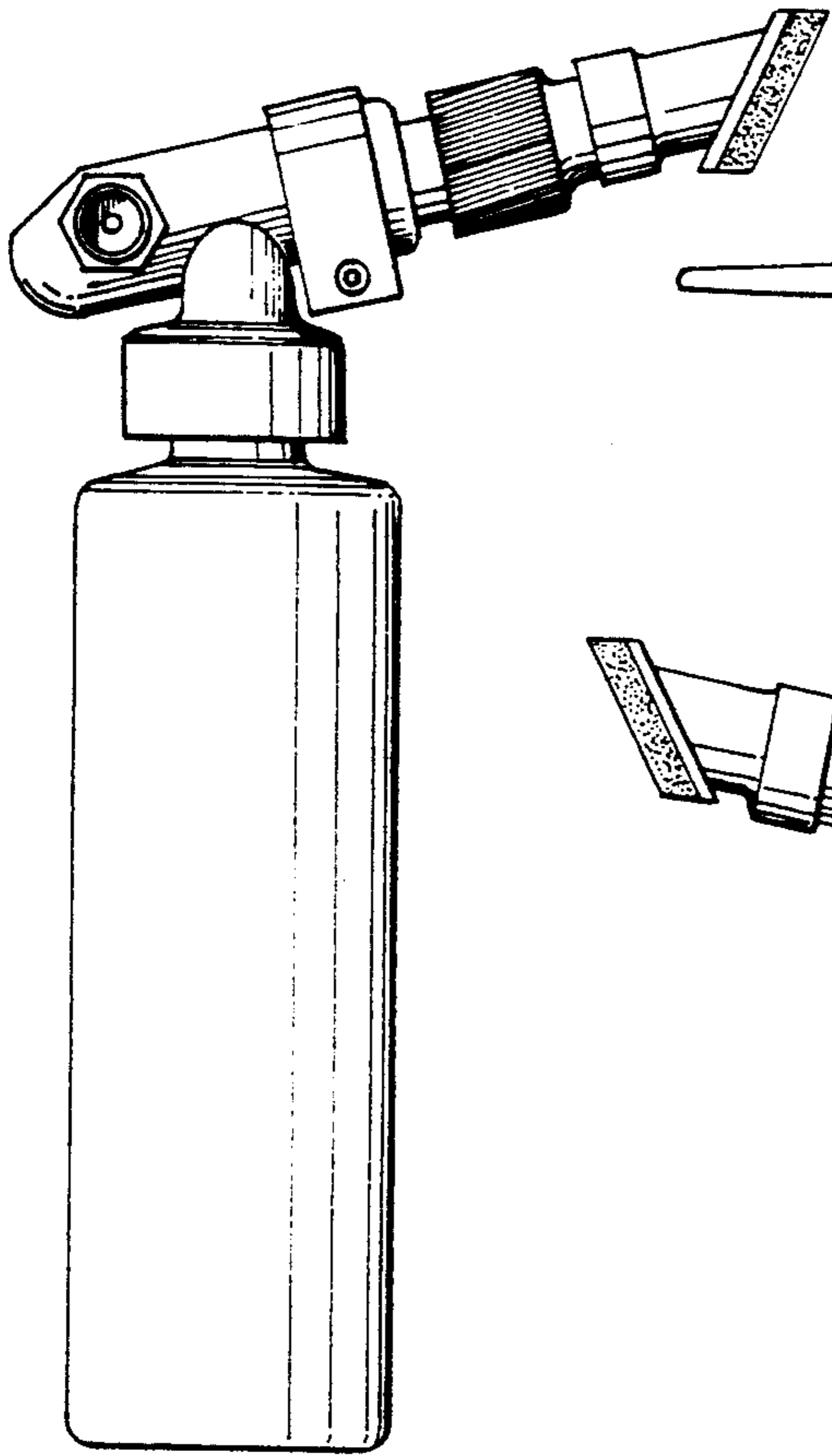


**FIG. 1**

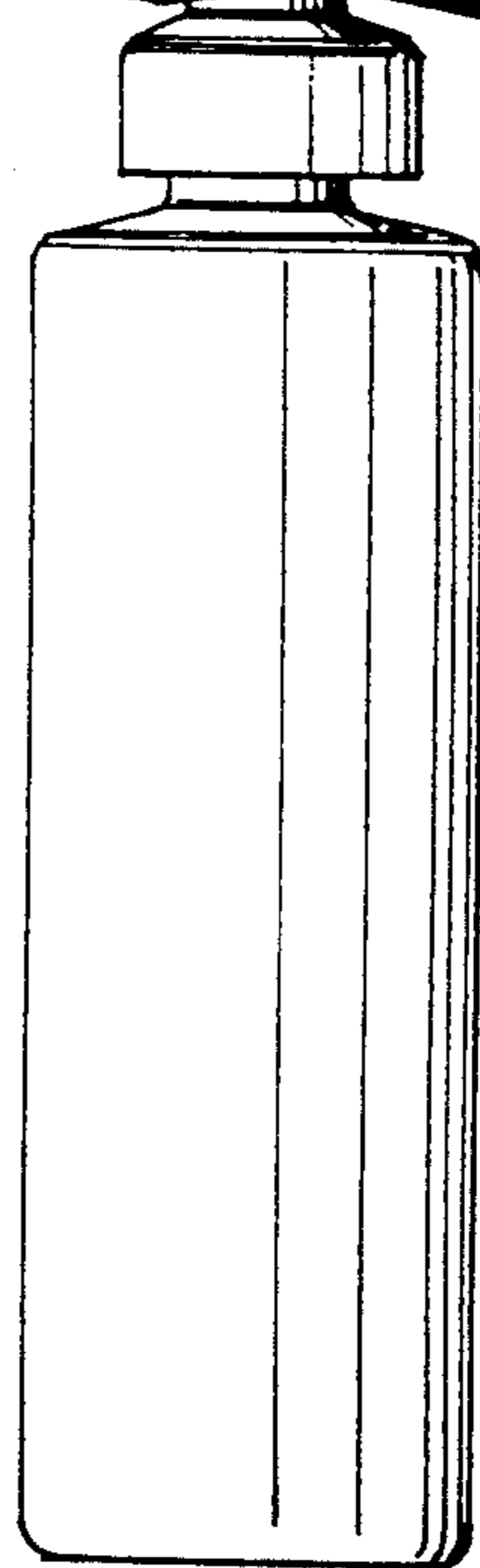
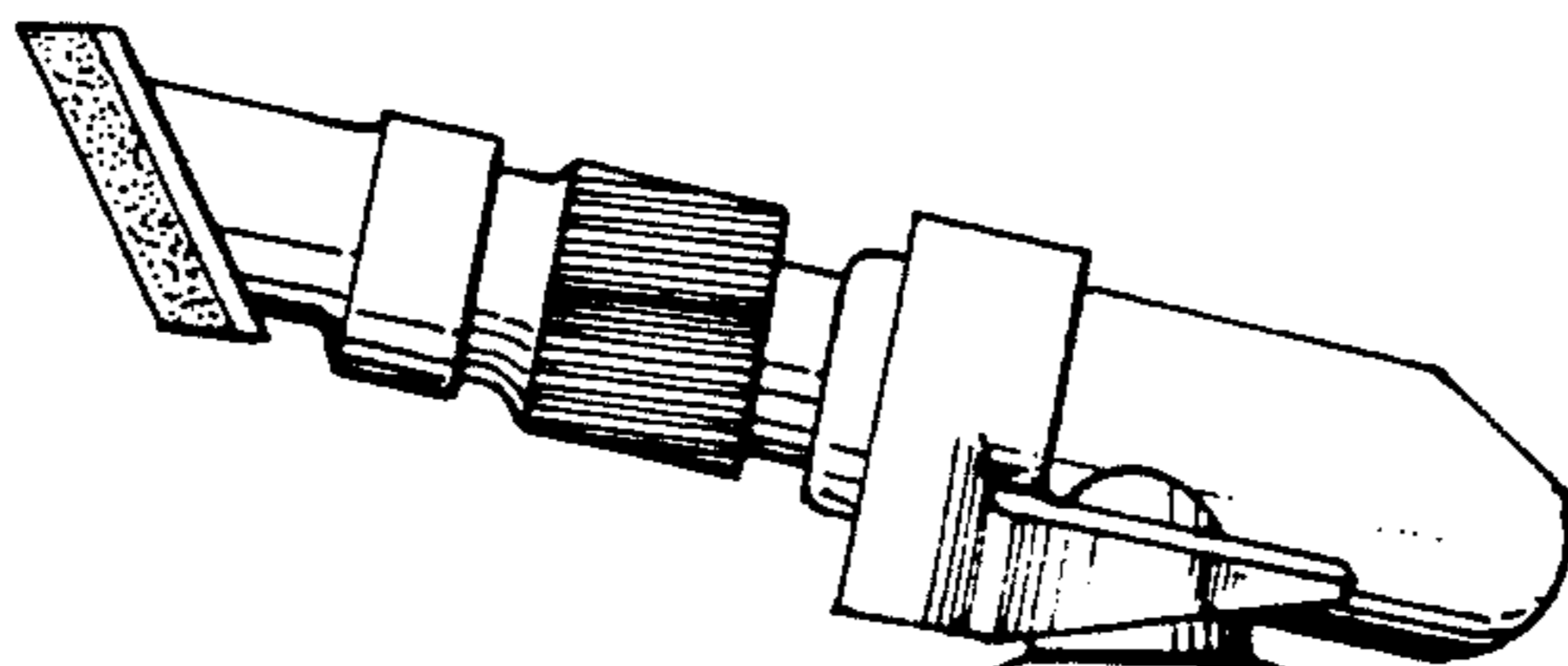


**FIG. 2**

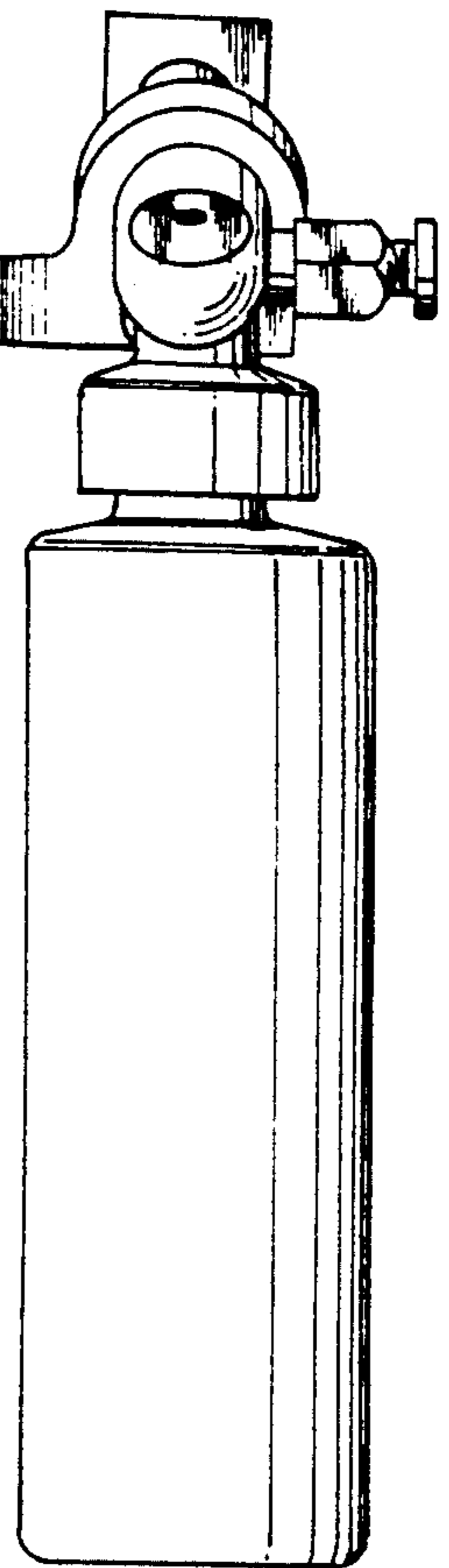
**FIG. 3**



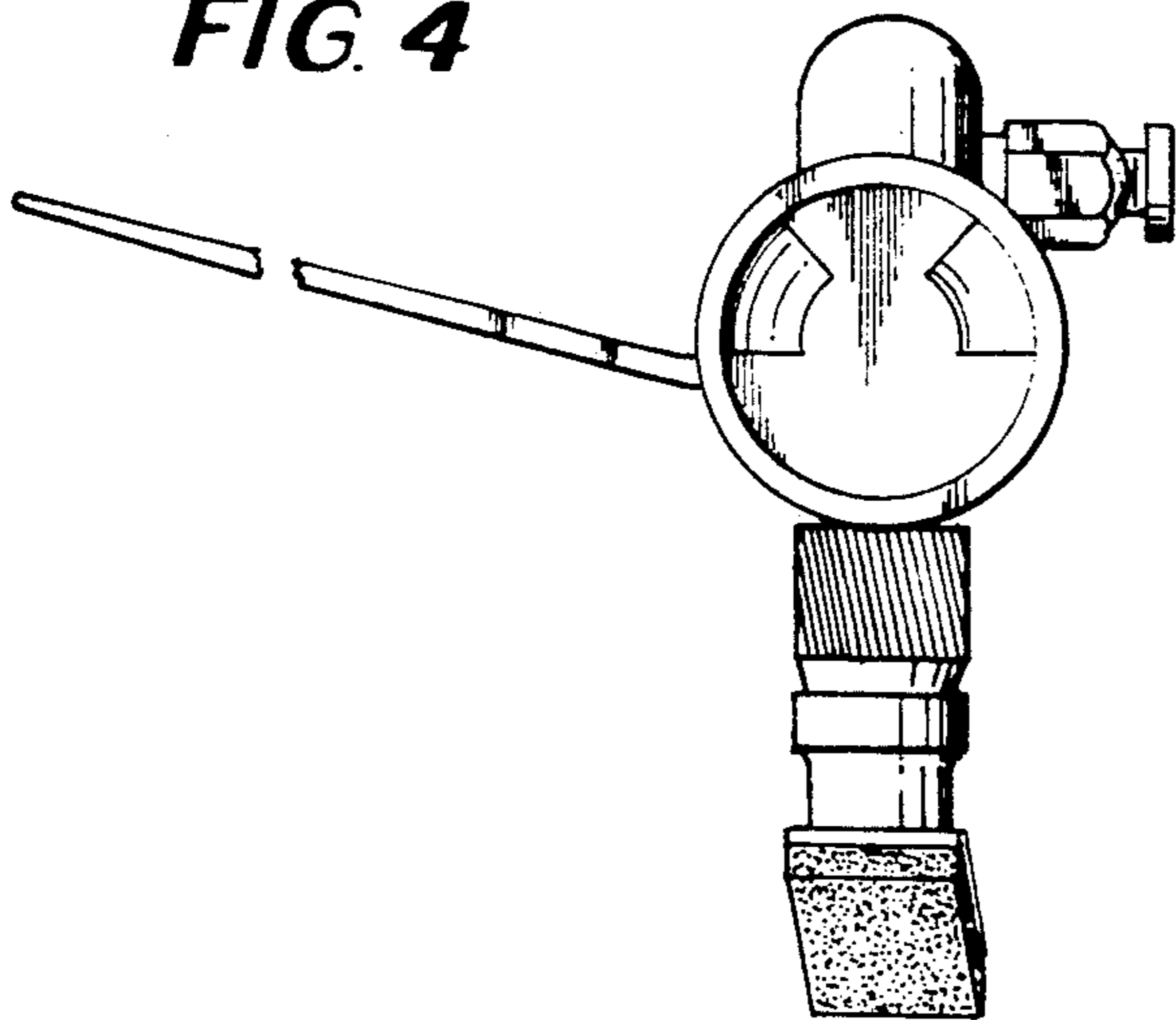
**FIG. 4**



**FIG. 6**



**FIG. 5**



**FIG. 7**