



US00D342582S

United States Patent [19] Young

[11] Patent Number: **Des. 342,582**

[45] Date of Patent: **** Dec. 21, 1993**

[54] **HALOGEN SPOTLIGHT**
[75] Inventor: **Tony C. Young, Kowloon, Hong Kong**

2,784,305 3/1957 Lawson et al. D26/45 X
4,535,397 8/1985 May 362/205 X
4,734,832 3/1988 Moriano et al. 362/158

[73] Assignee: **Caltraco International Limited, Kowloon, Hong Kong**

[**] Term: **14 Years**

[21] Appl. No.: **496,616**

[22] Filed: **Mar. 21, 1990**

[30] **Foreign Application Priority Data**

Jan. 25, 1990 [GB] United Kingdom 2004260

[52] U.S. Cl. **D26/45**

[58] Field of Search **D26/37-50;**
362/157, 158, 183-200, 201, 202, 205, 258

[56] **References Cited**

U.S. PATENT DOCUMENTS

D. 267,349 12/1982 Asano D26/45
D. 300,470 3/1989 Schmidt et al. D26/45

OTHER PUBLICATIONS

Gander Mountain Inc. Outdoor Sportsman Supplies Catalog, Fall/Winter 1986, p. 143, Halogen Spotlight.

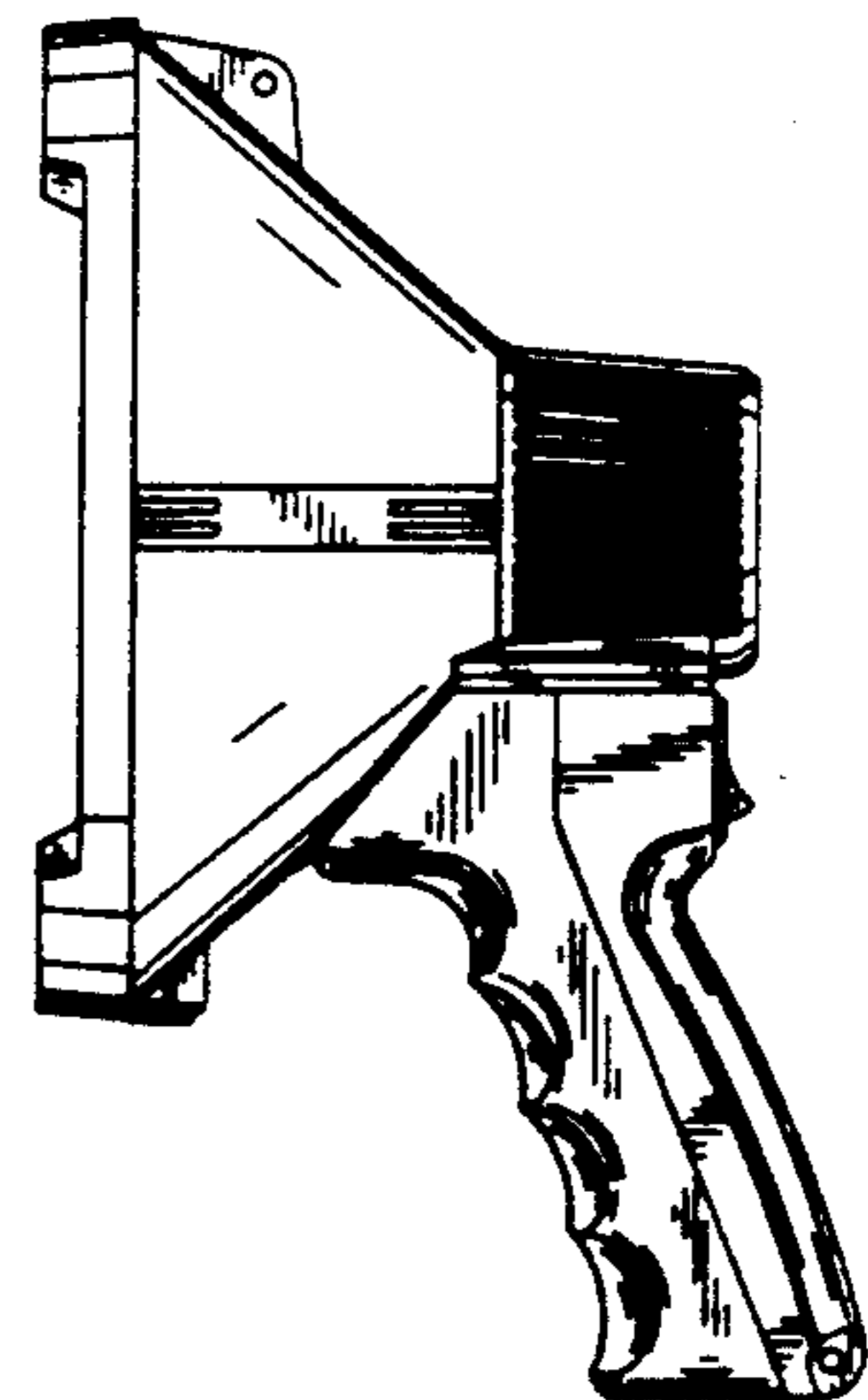
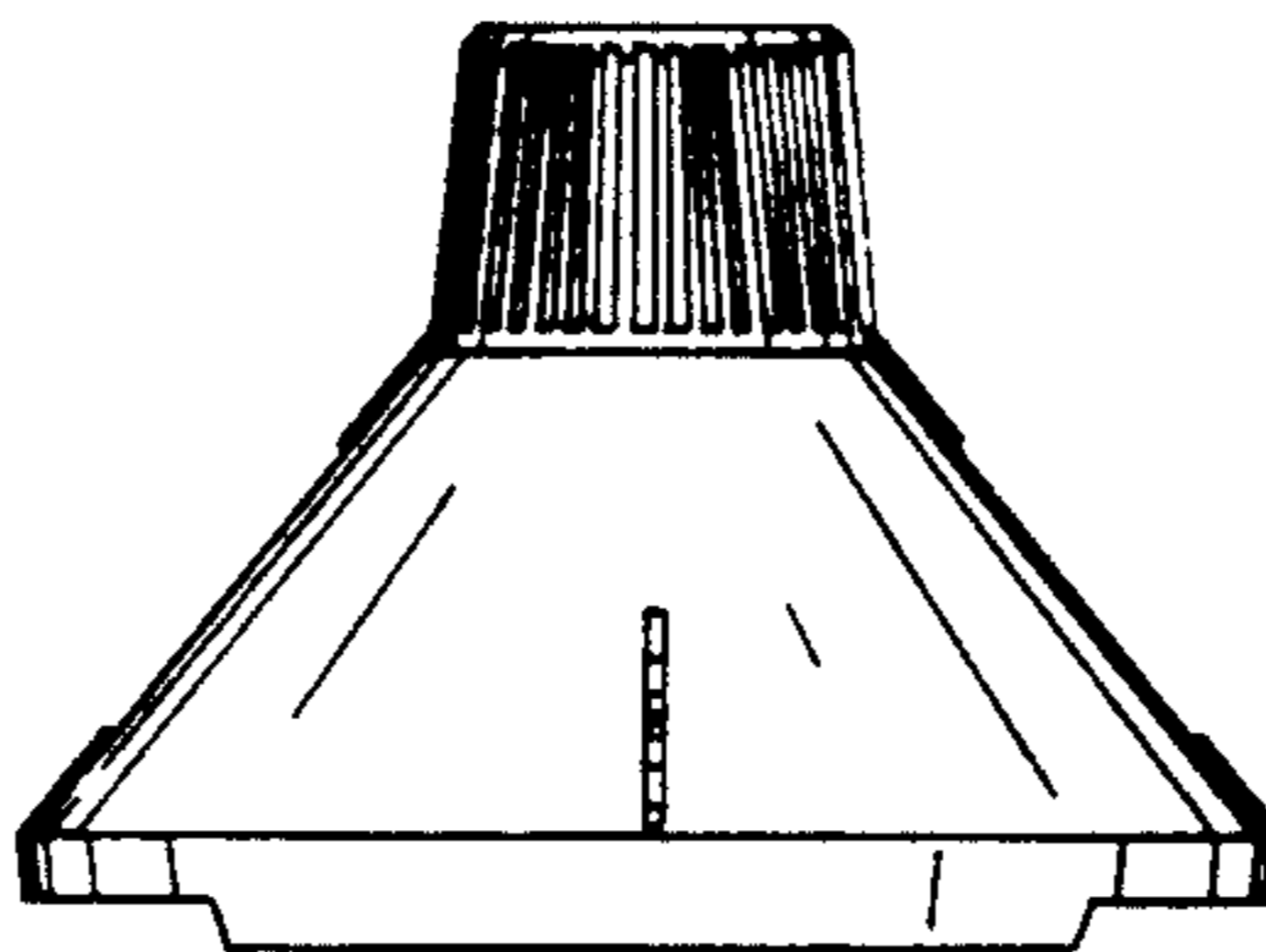
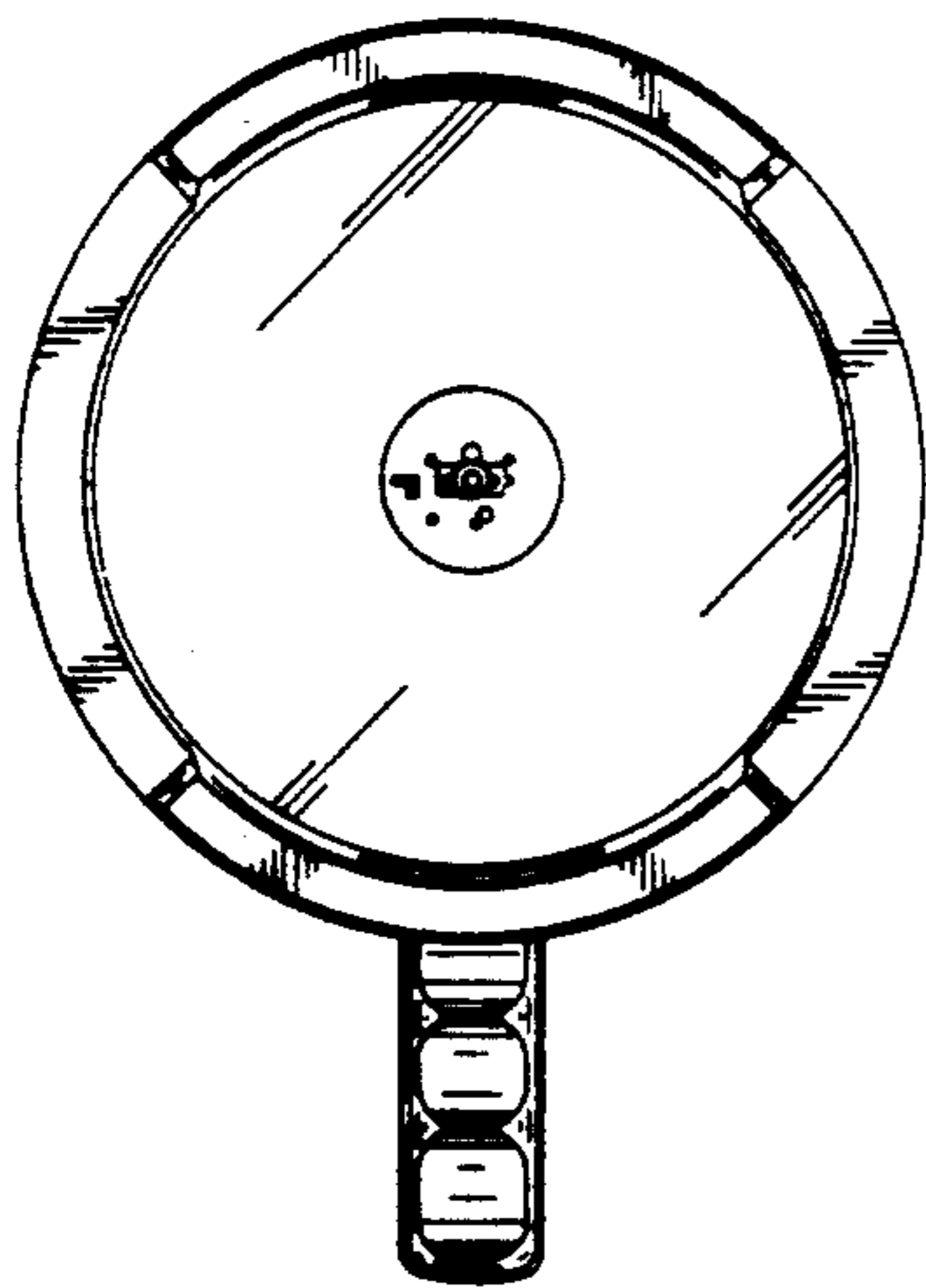
Primary Examiner—Susan J. Lucas
Attorney, Agent, or Firm—Fish & Richardson

[57] **CLAIM**

The ornamental design for halogen spotlight, as shown and described.

DESCRIPTION

FIG. 1 is a front elevational view of a halogen spotlight embodying my new design;
FIG. 2 is a top plan view thereof;
FIG. 3 is a bottom plan view thereof;
FIG. 4 is a left side elevational view thereof;
FIG. 5 is a right side elevational view thereof; and,
FIG. 6 is a rear elevational view thereof.



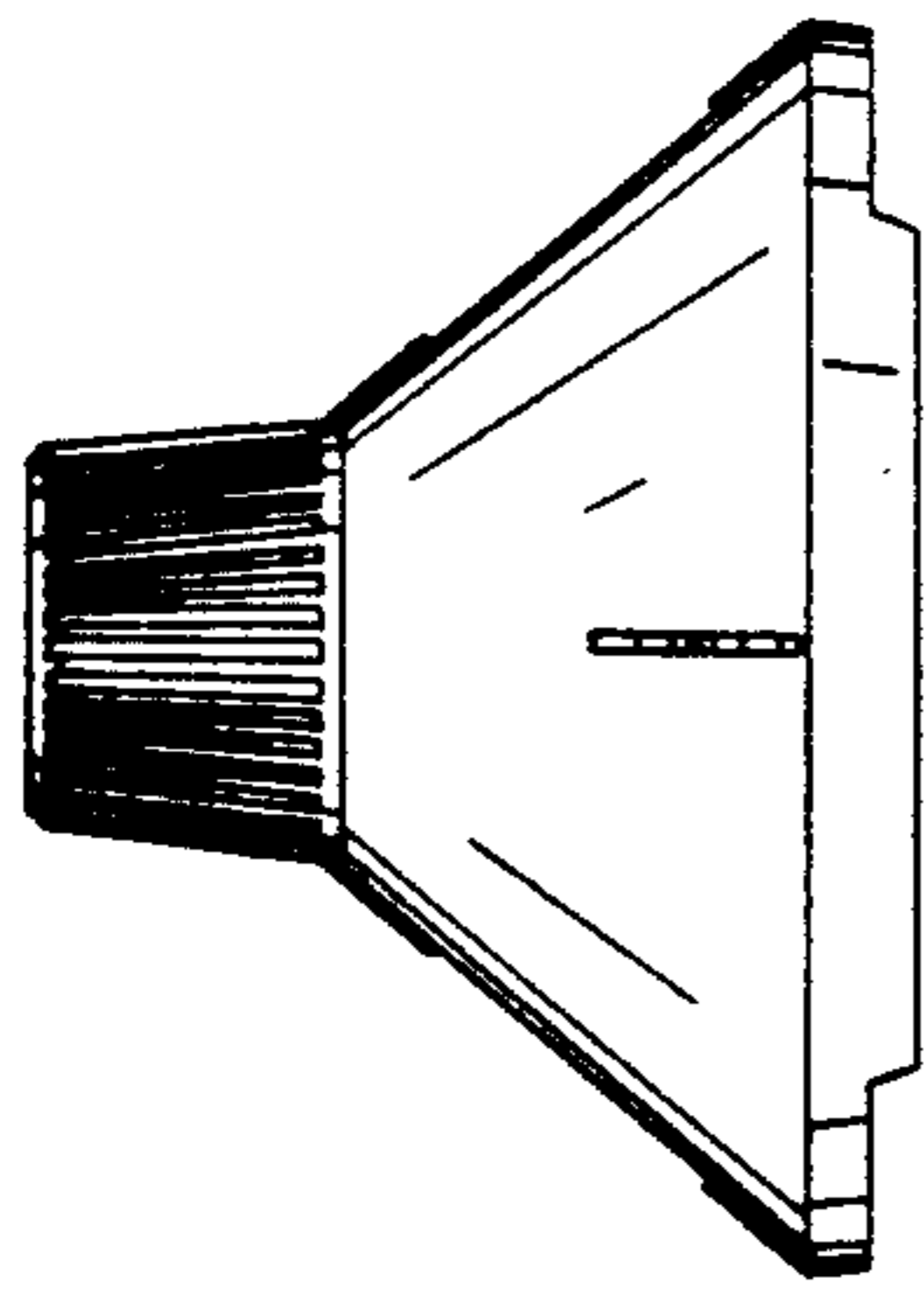


FIG. 2

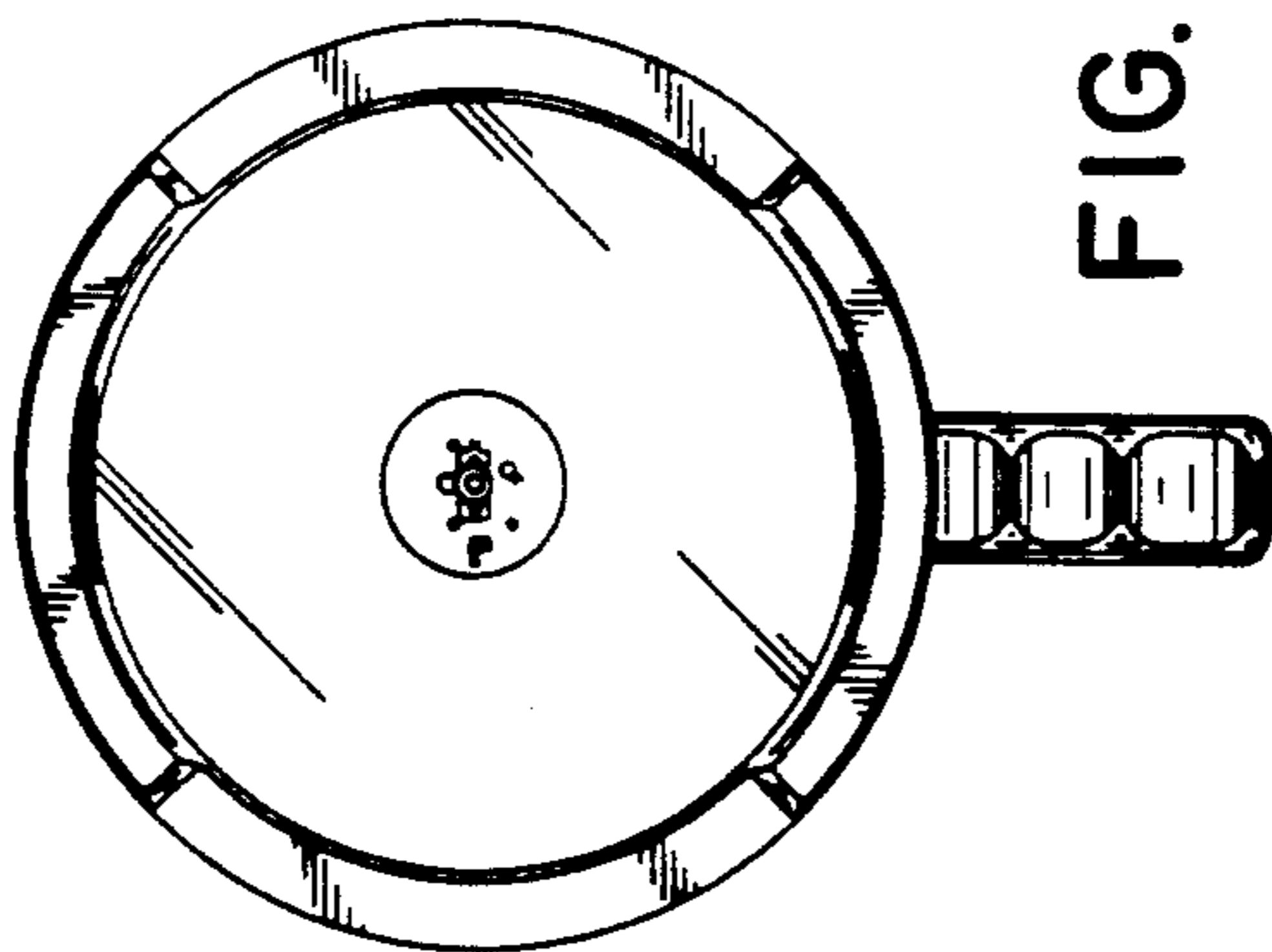


FIG. 1

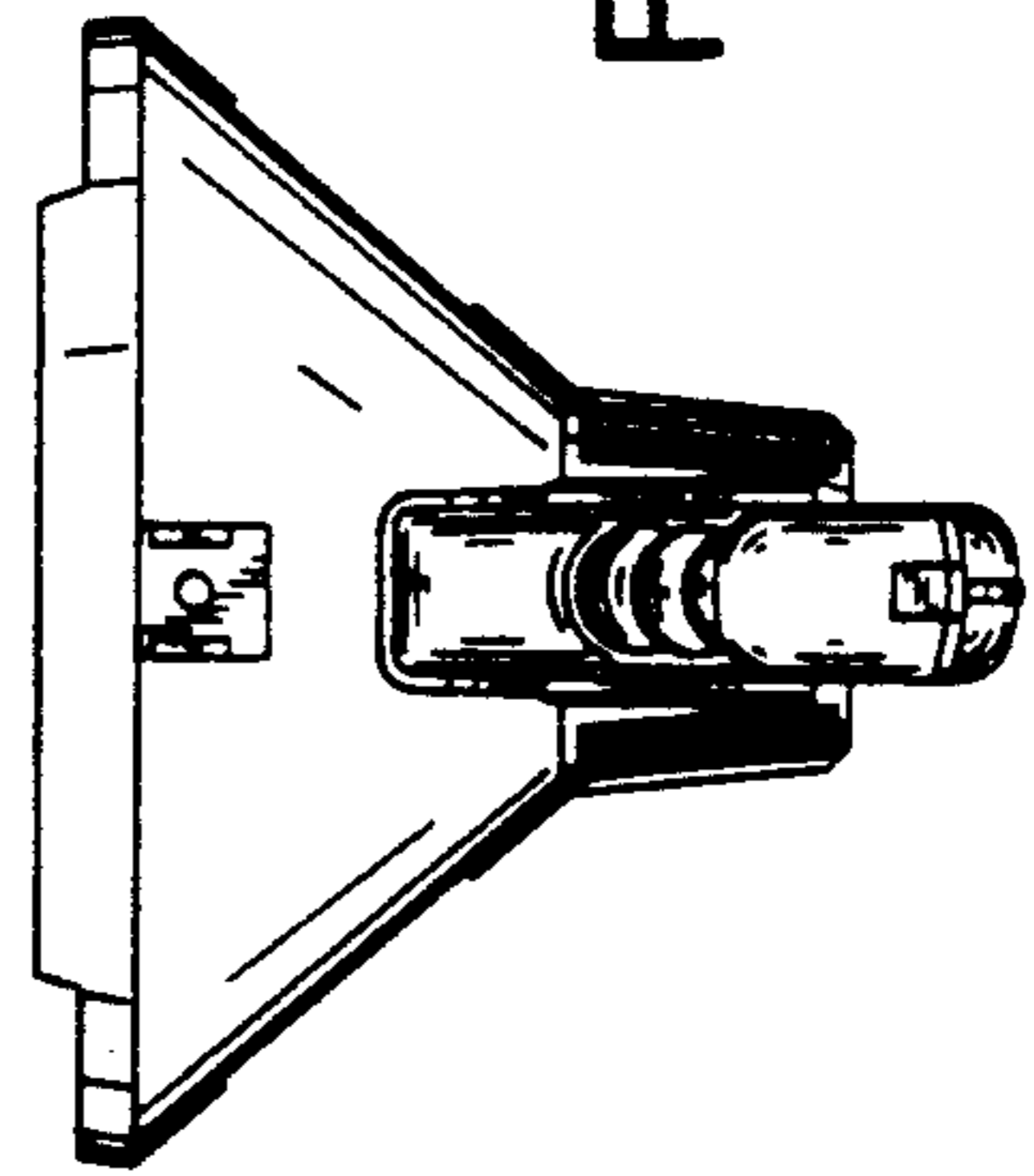


FIG. 3

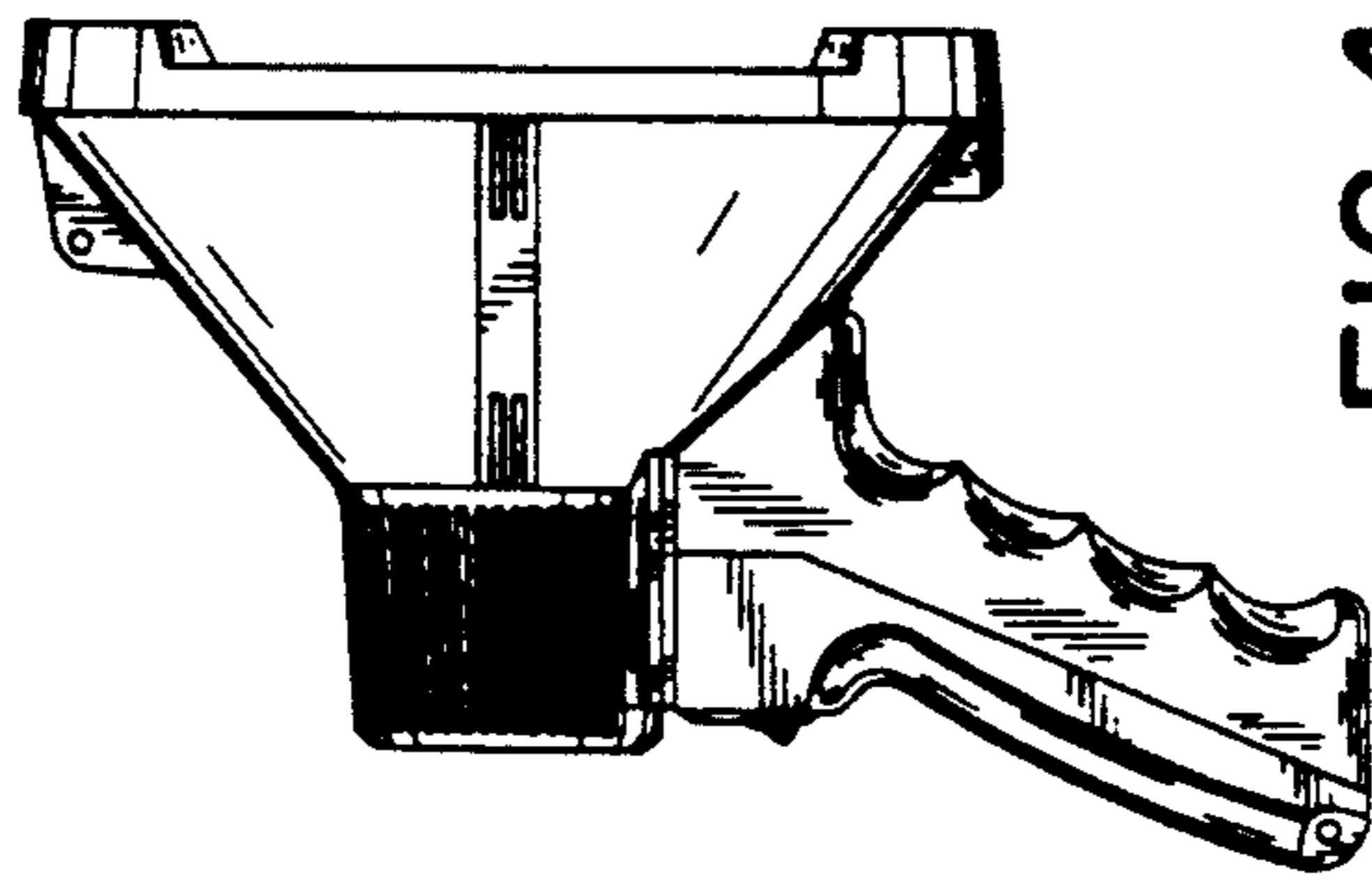


FIG. 4

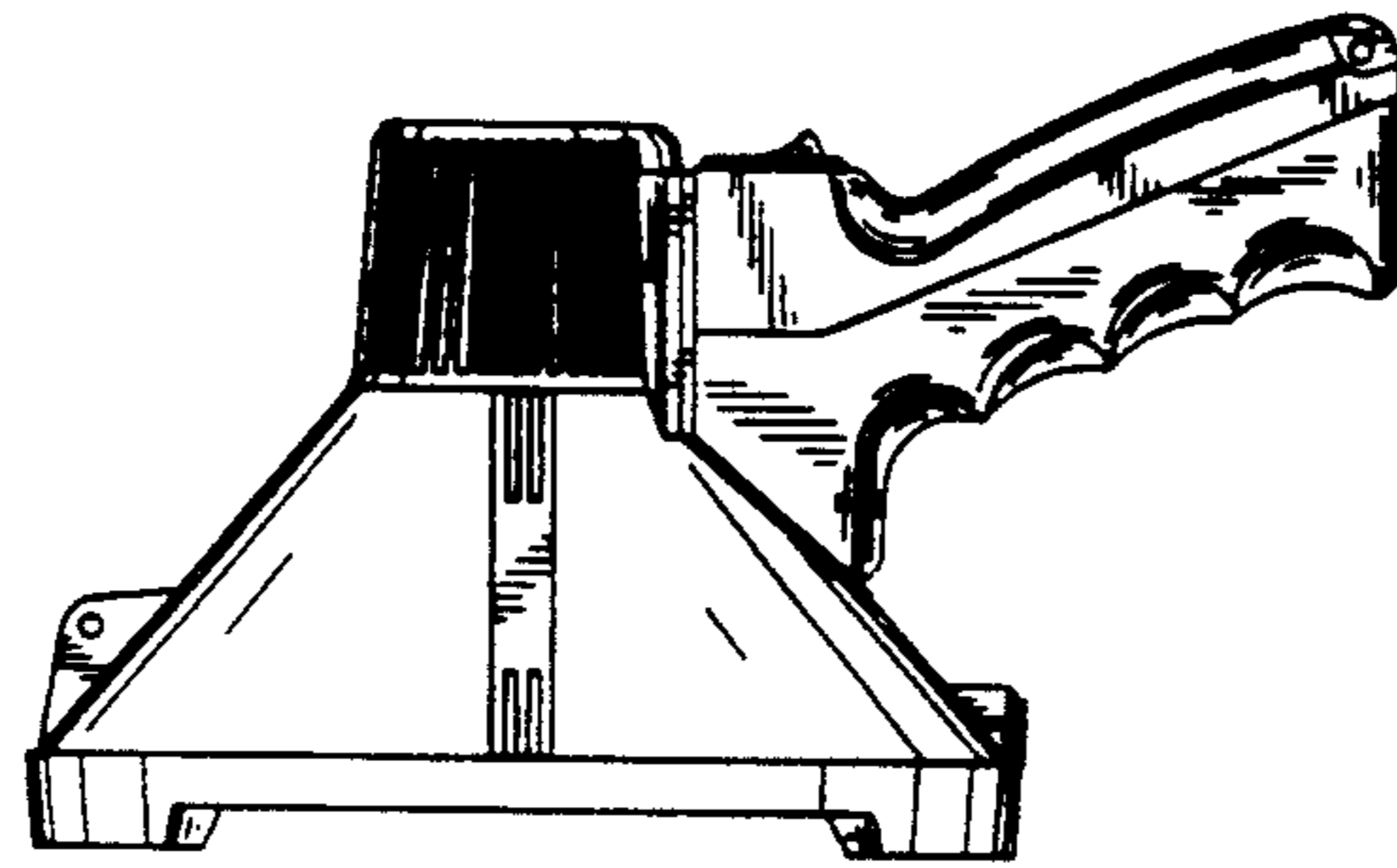


FIG. 5

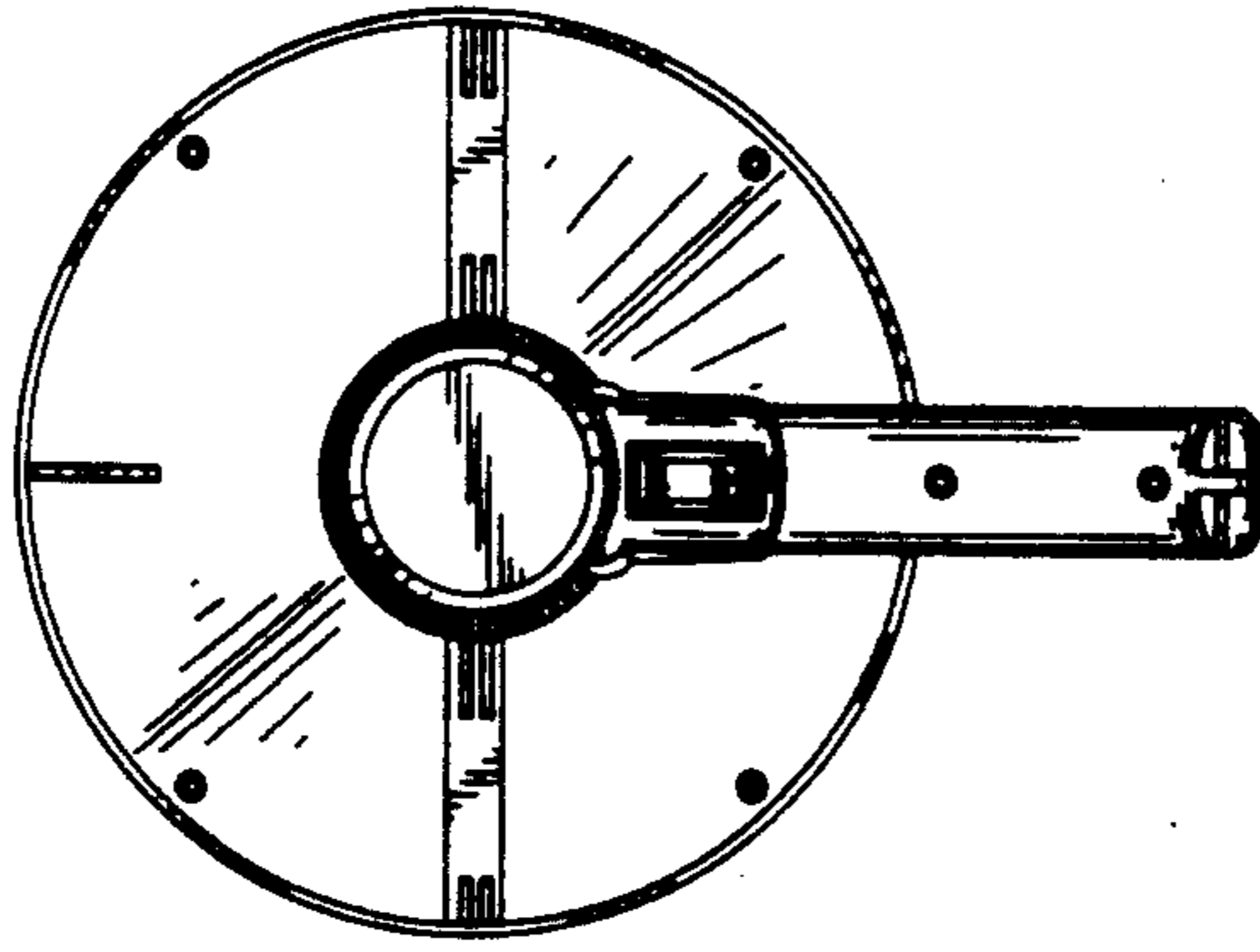


FIG. 6