



US00D342579S

United States Patent [19]

[11] Patent Number: **Des. 342,579**

Mason

[45] Date of Patent: **** Dec. 21, 1993**

[54] **"J" CHANNEL EXTRUDED SIDING MEMBER**

[76] Inventor: **Jeff A. Mason**, 969 Shirley Dr.,
Picayune, Miss. 39466

[**] Term: **14 Years**

[21] Appl. No.: **927,178**

[22] Filed: **Aug. 7, 1992**

[52] U.S. Cl. **D25/119**

[58] Field of Search **D25/119; 52/471, 569,
52/513, 474, 478, 555-557, 519-533**

[56] **References Cited**

U.S. PATENT DOCUMENTS

D. 196,230	9/1963	Rafterg	D25/119
D. 248,243	6/1978	South	D25/119
D. 252,471	7/1979	Broadbent	D25/119
D. 316,299	4/1991	Horibun	D25/119
3,111,205	11/1963	Cresham	D25/119
3,606,714	9/1971	Arnett	52/255

Primary Examiner—A. Hugo Word
Assistant Examiner—Doris Clark
Attorney, Agent, or Firm—Joseph T. Regard, Ltd.

[57] **CLAIM**

The original and ornamental design for the "J" channel extruded siding member, as shown and described.

DESCRIPTION

FIG. 1 is an isometric view of the "J" channel extruded siding member of the present invention;
FIG. 2 is an end view of the "J" channel extruded siding member of the present invention;
FIG. 3 is a frontal view of the "J" channel extruded siding member of the present invention;
FIG. 4 is a top view of the "J" channel extruded siding member of the present invention;
FIG. 5 is a rear view of the "J" channel extruded siding member of the present invention; and,
FIG. 6 is a bottom view of the "J" channel extruded siding member of the present invention.

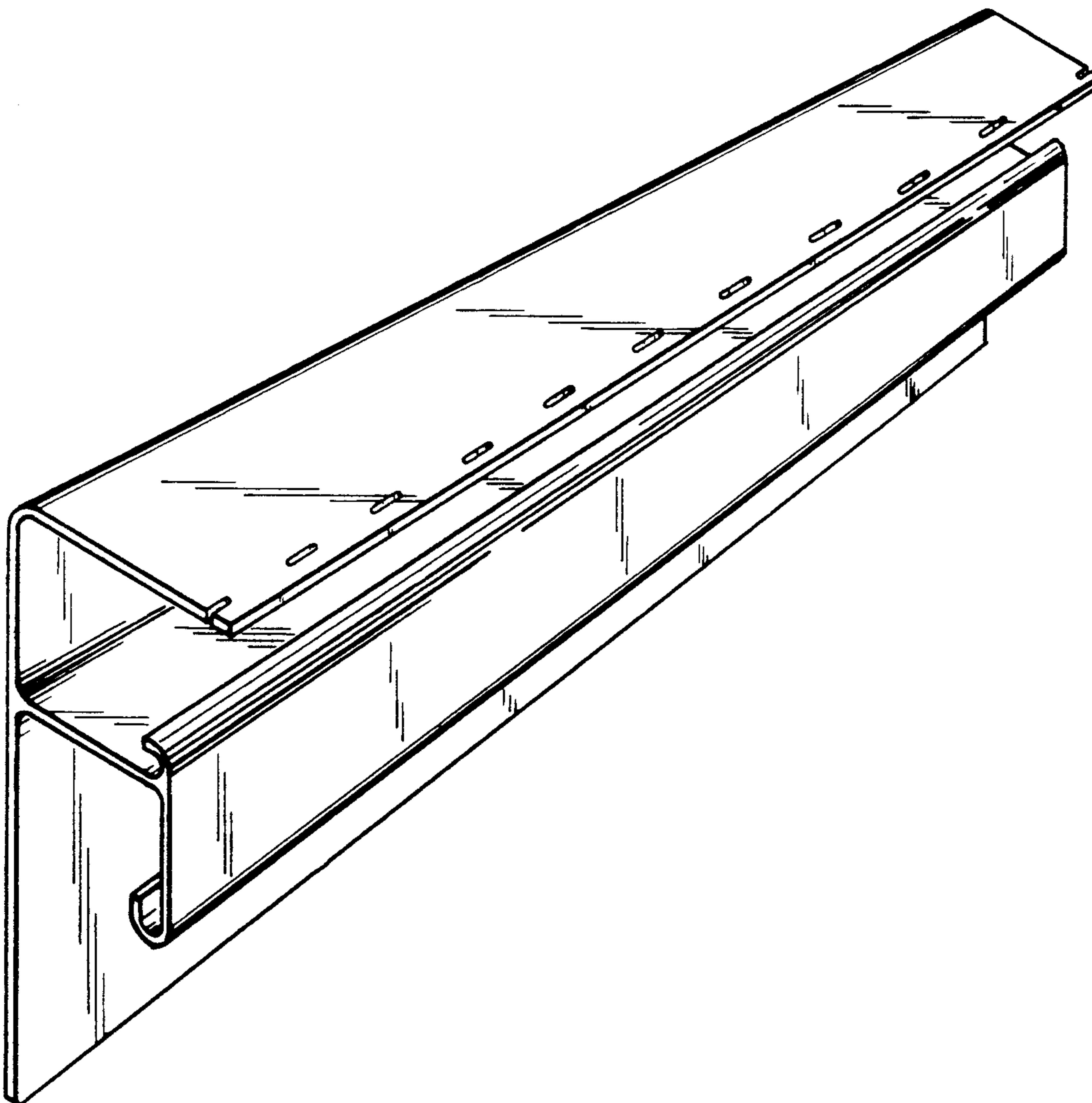


FIG. 2

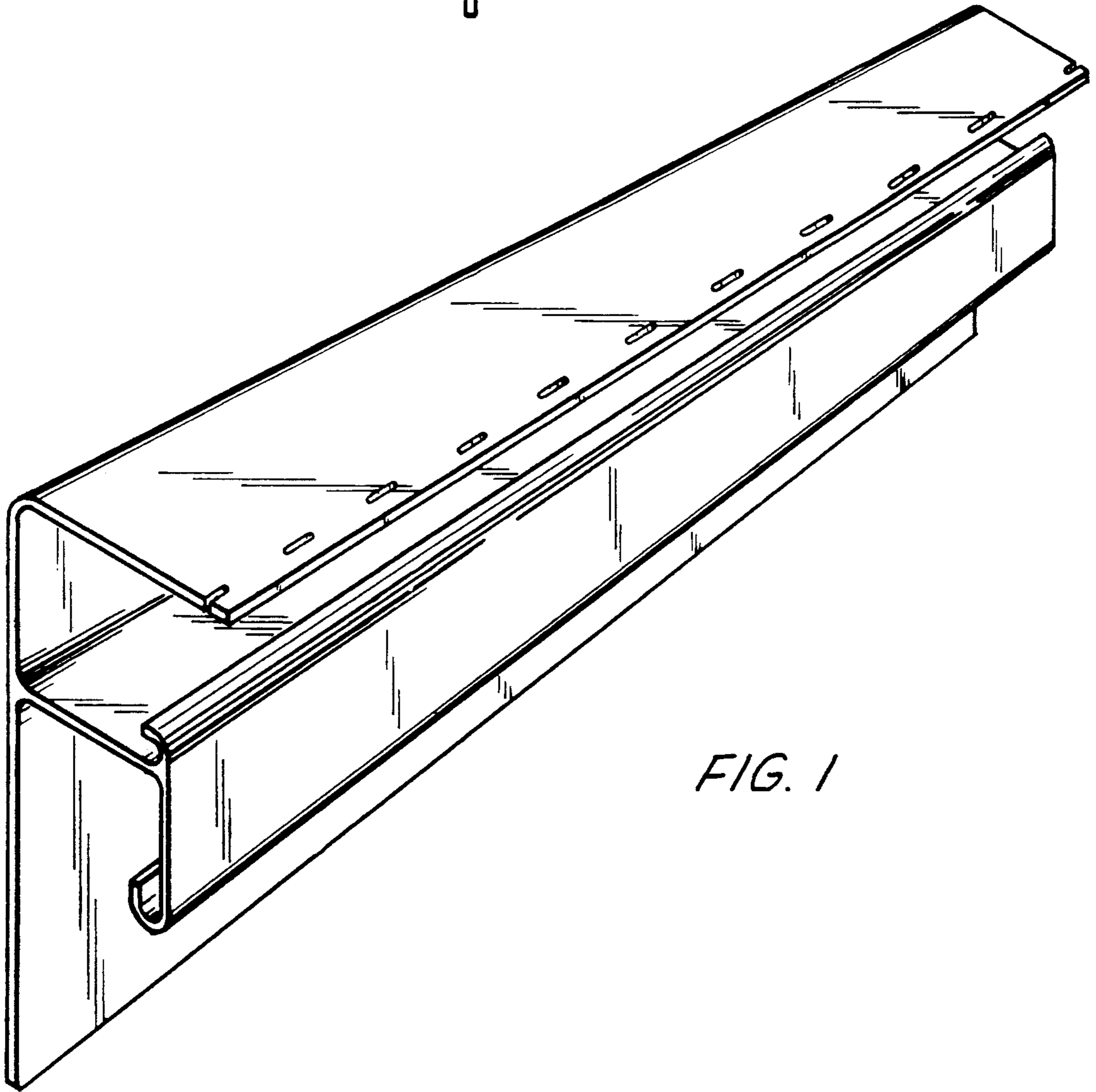
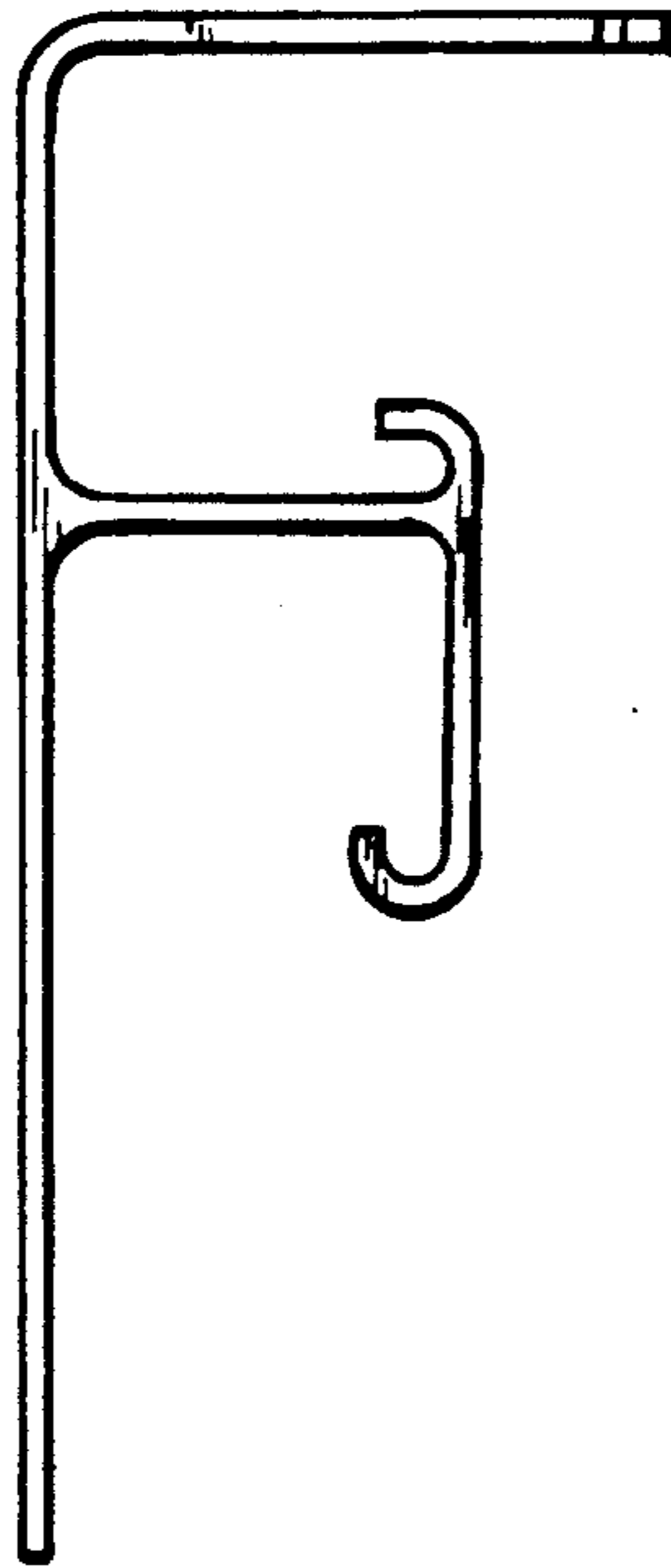


FIG. 1

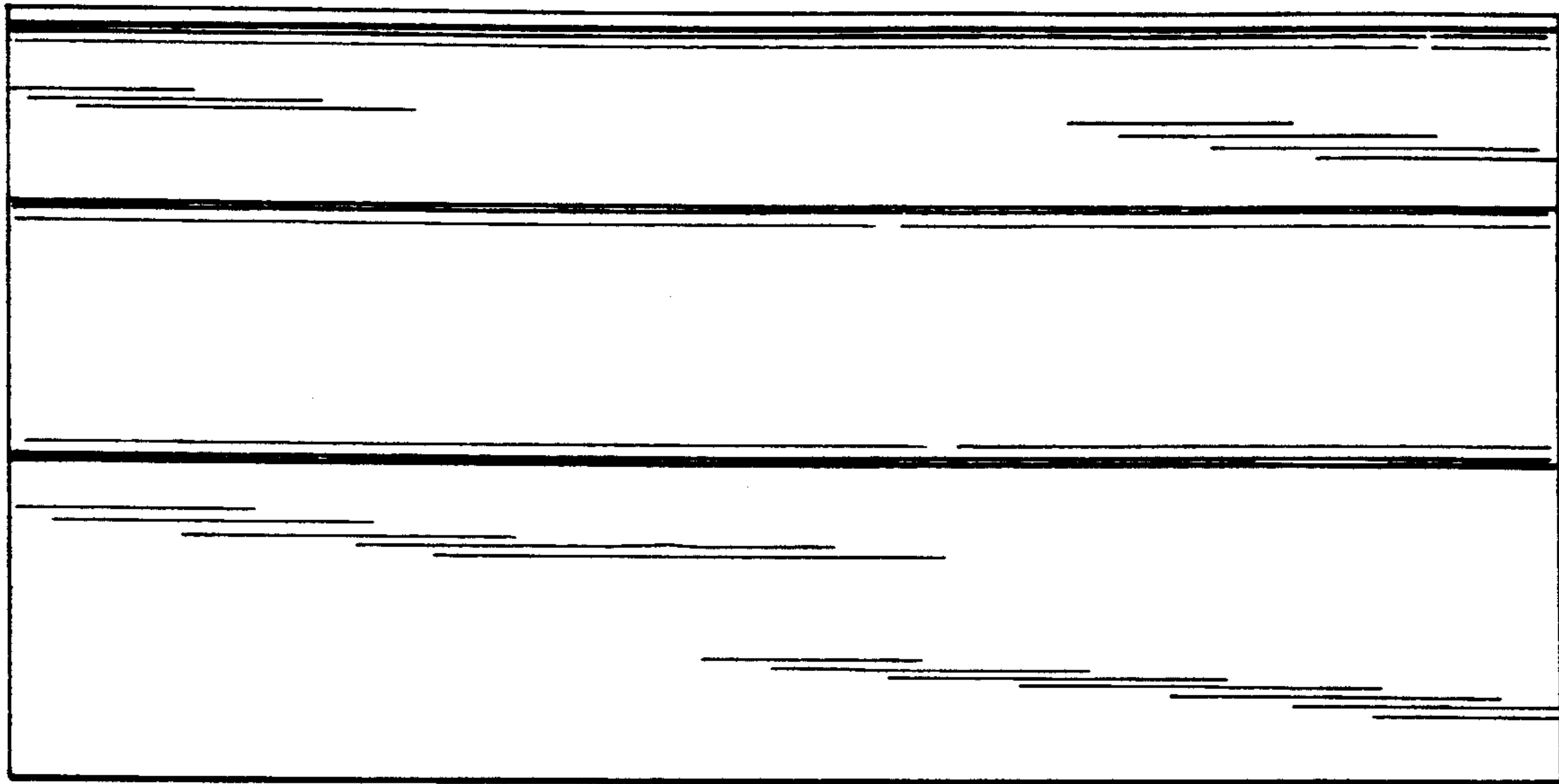


FIG. 3

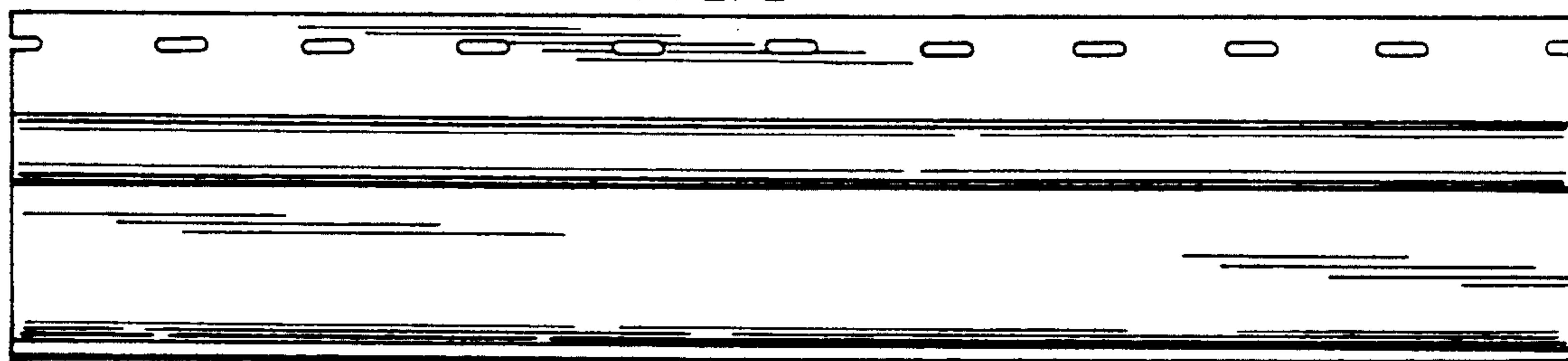


FIG. 4

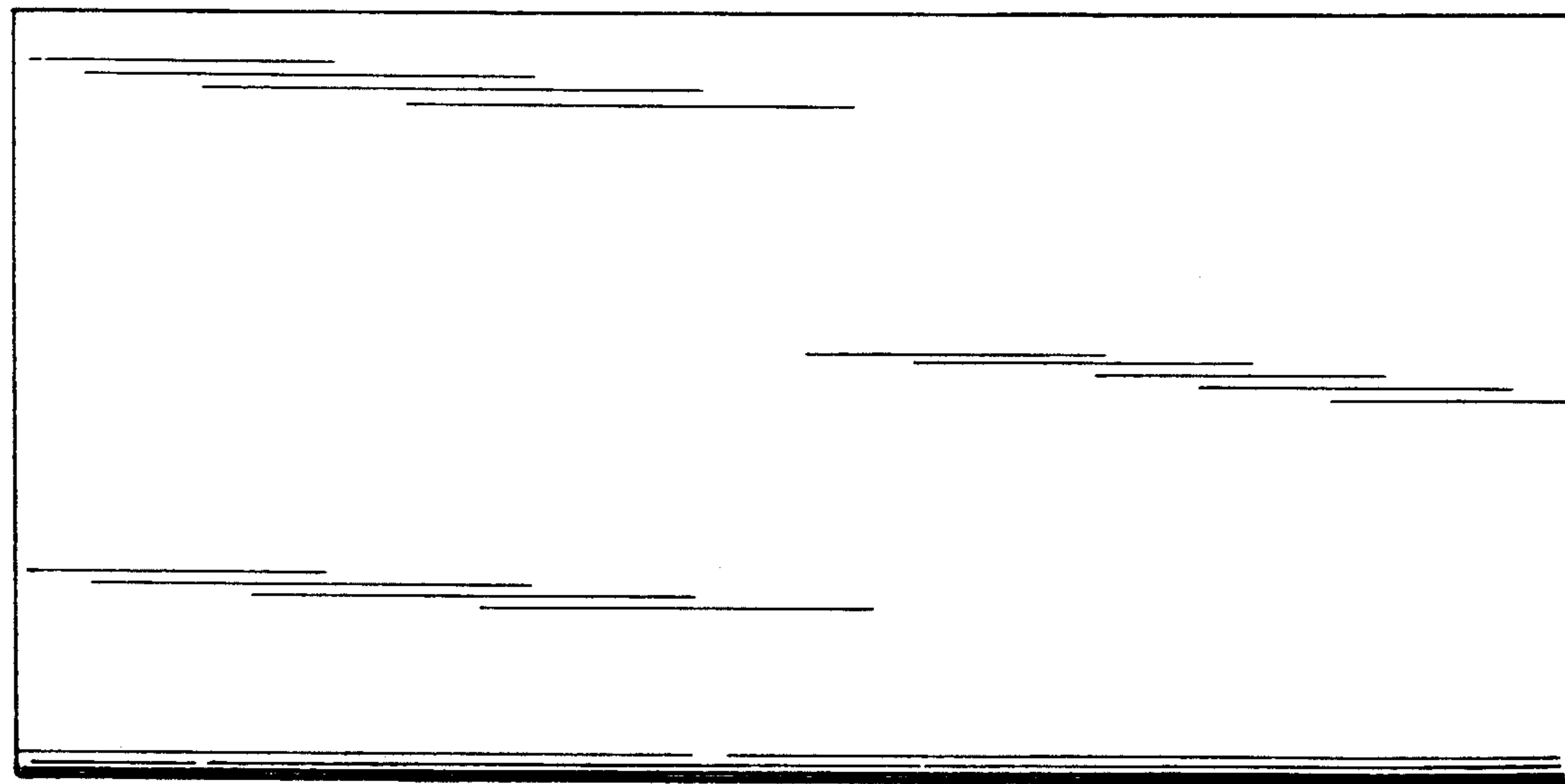


FIG. 5

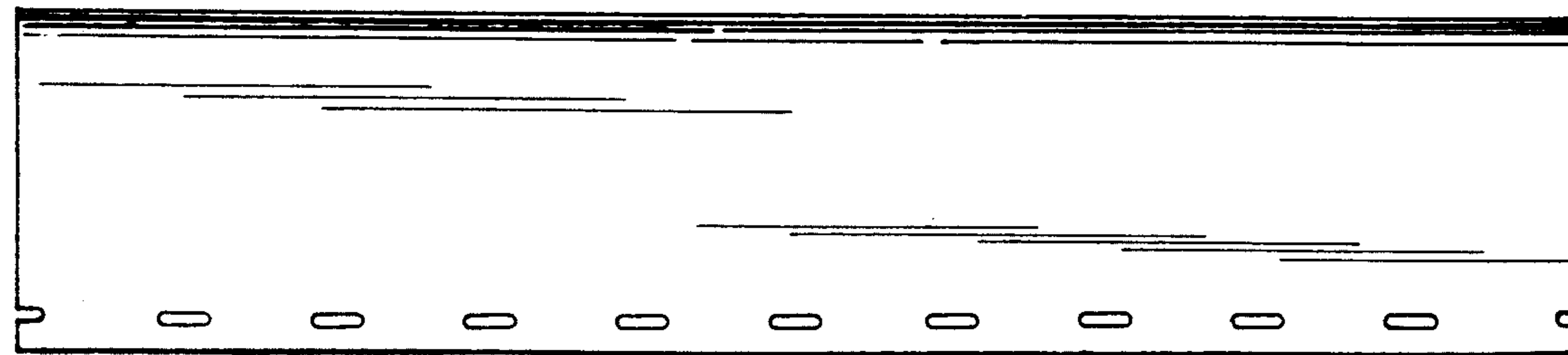


FIG. 6