



US00D342571S

United States Patent [19]

[11] Patent Number: Des. 342,571

Givens, Sr.

[45] Date of Patent: ** Dec. 21, 1993

[54] WRIST-WORN BODY FUNCTION MONITOR

FOREIGN PATENT DOCUMENTS

[76] Inventor: Ernest Givens, Sr., 3257 W. Northgate Dr., Irving, Tex. 75062

2624732 12/1976 Fed. Rep. of Germany 128/690
2756603 6/1979 Fed. Rep. of Germany 128/690

[**] Term: 14 Years

Primary Examiner—Stella Reid
Attorney, Agent, or Firm—Terry M. Gernstein

[21] Appl. No.: 776,485

[57] CLAIM

[22] Filed: Oct. 15, 1991
[52] U.S. Cl. D24/186
[58] Field of Search D24/166, 167, 165;
128/690, 689, 706, 710, 725; D10/30, 38, 37

The ornamental design for a wrist-worn body function monitor, as shown and described.

DESCRIPTION

[56] References Cited

U.S. PATENT DOCUMENTS

D. 287,403 12/1986 Kiiski et al. D24/167
4,566,461 1/1986 Lubell .
4,803,625 2/1989 Fu .
4,899,758 2/1990 Finkelstein .
5,197,489 3/1993 Concan 128/690 X

FIG. 1 is a perspective view of a wrist-worn body function monitor embodying the design of the present invention;

FIG. 2 is a front end elevational view thereof;

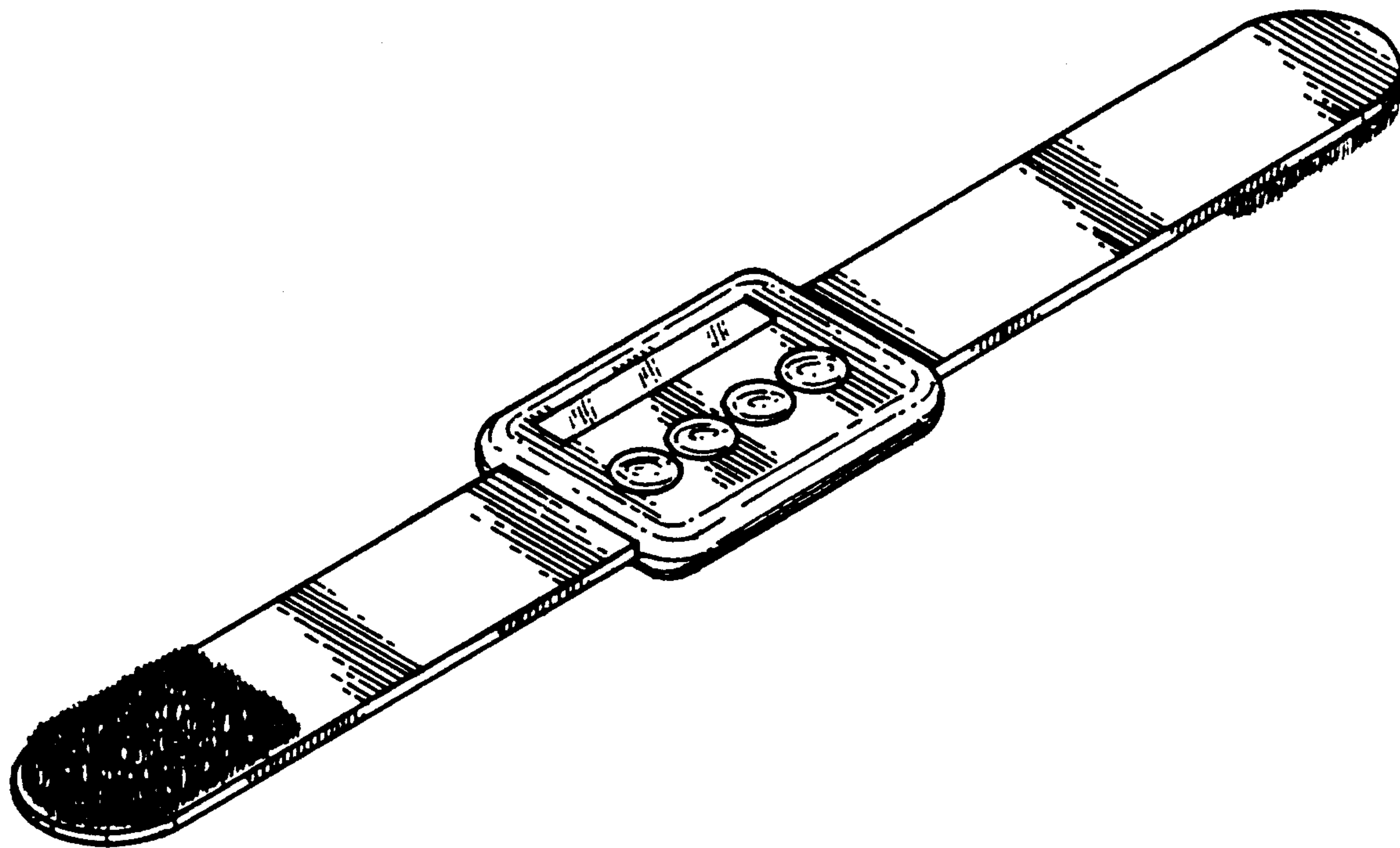
FIG. 3 is a rear end elevational view thereof;

FIG. 4 is a side elevational view thereof;

FIG. 5 is a side elevational view thereof;

FIG. 6 is a top plan view thereof; and,

FIG. 7 is a bottom view thereof.



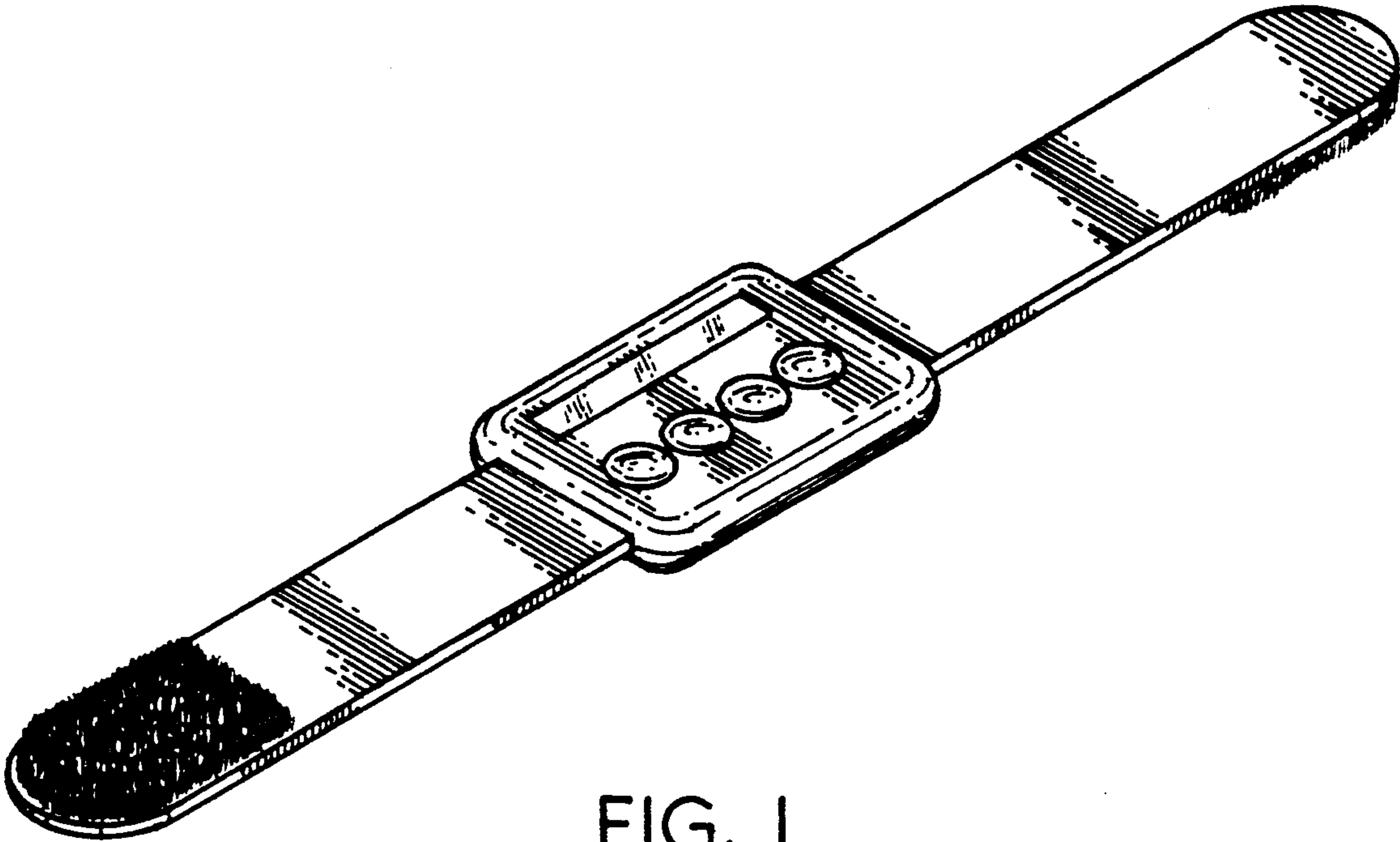


FIG. 1

FIG. 2



FIG. 3



FIG. 4



FIG. 5



FIG. 6

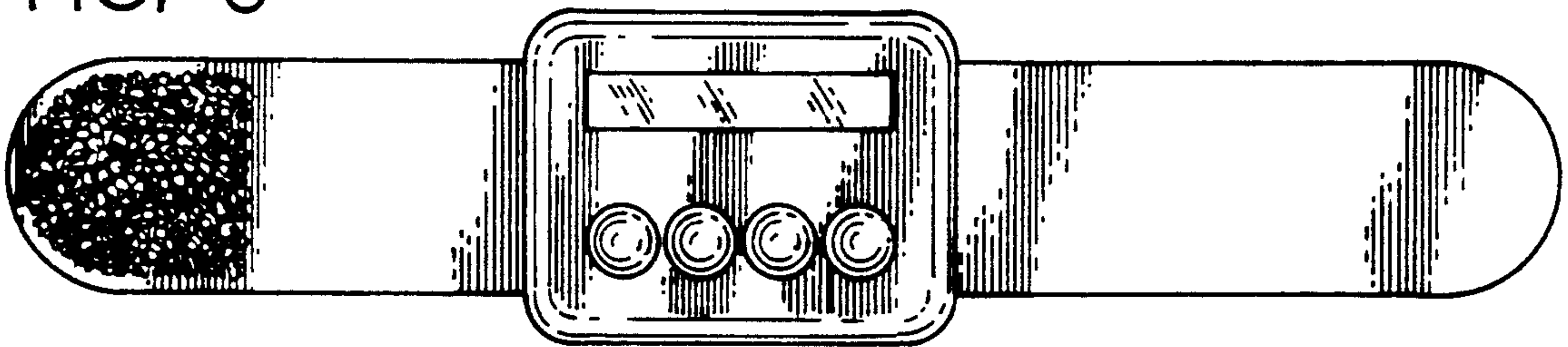


FIG. 7

