



US00D342564S

United States Patent [19]

[11] Patent Number: **Des. 342,564**

Jans

[45] Date of Patent: **** Dec. 21, 1993**

[54] **SHOWER HEAD**

[75] Inventor: **Franz W. Jans**, Roedermark, Fed. Rep. of Germany

[73] Assignee: **JADO Bathroom and Hardware Manufacturing Corp.**, Camarillo, Calif.

[**] Term: **14 Years**

[21] Appl. No.: **792,899**

[22] Filed: **Nov. 15, 1991**

[52] U.S. Cl. **D23/213**

[58] Field of Search **D23/213-222; 239/200-206, 222.11-223, 230-233, 273, 275-276, 288, 288.3, 288.5, 390-392, 443-444, 456, 468, 505, 518-524, 556-558, DIG. 1**

[56] **References Cited**

U.S. PATENT DOCUMENTS

- D. 167,307 7/1952 Ficken D23/214
- D. 232,088 7/1974 Margrill D23/214

- D. 250,768 1/1979 Springer D23/214
- D. 310,860 9/1990 Delepine D23/213
- D. 313,063 12/1990 Sroubek D23/213
- 691,758 1/1902 Gay D23/214 X
- 3,185,397 5/1965 Nelson D8/1 X

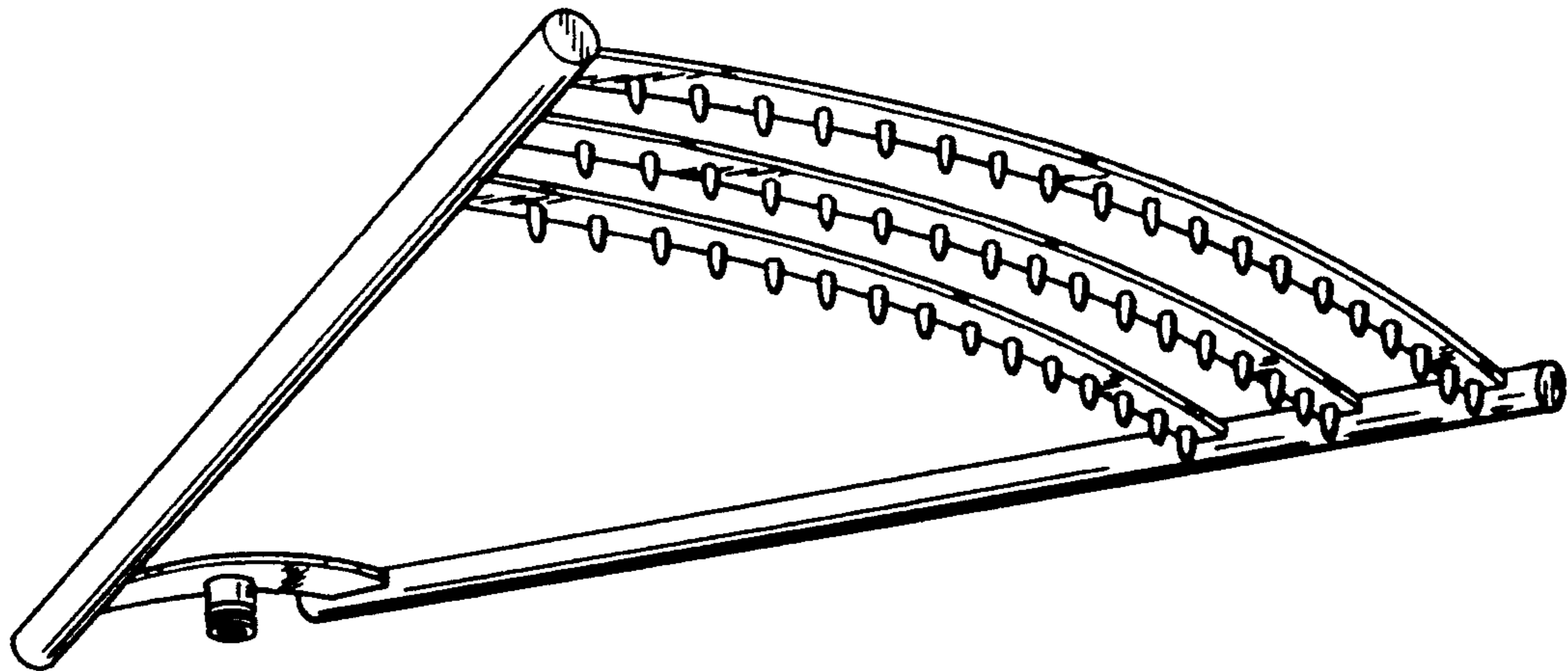
Primary Examiner—Wallace R. Burke
Assistant Examiner—M. H. Tung
Attorney, Agent, or Firm—H. Michael Brucker

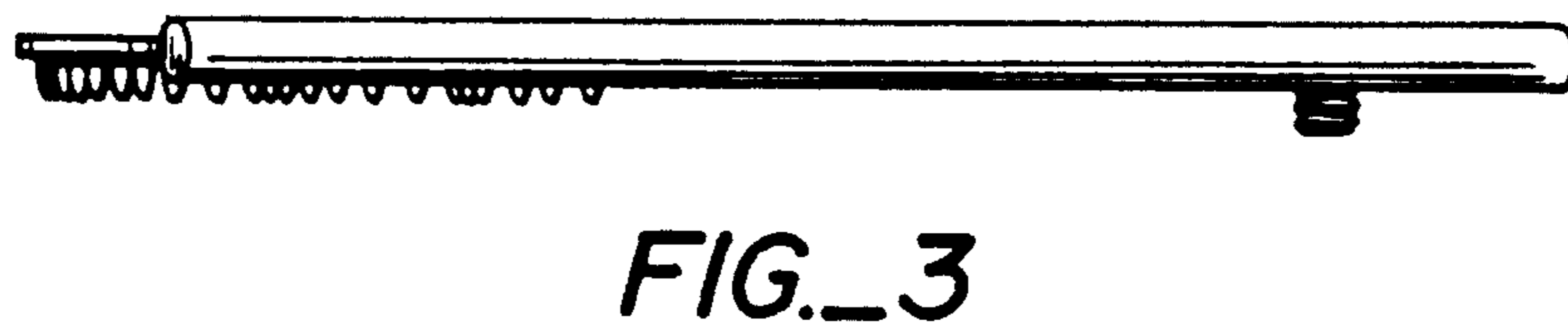
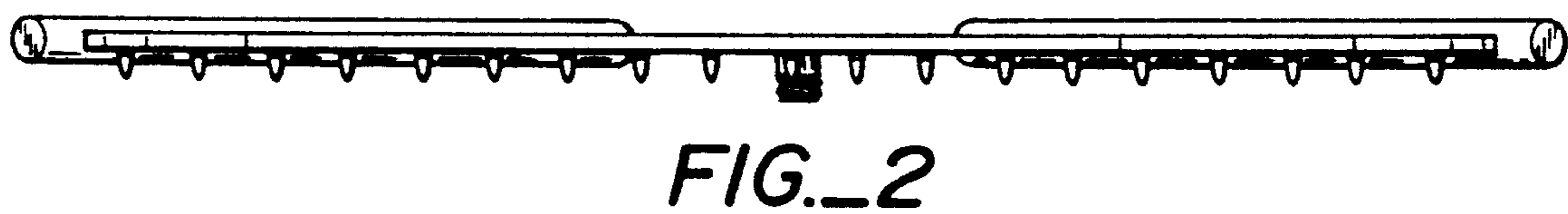
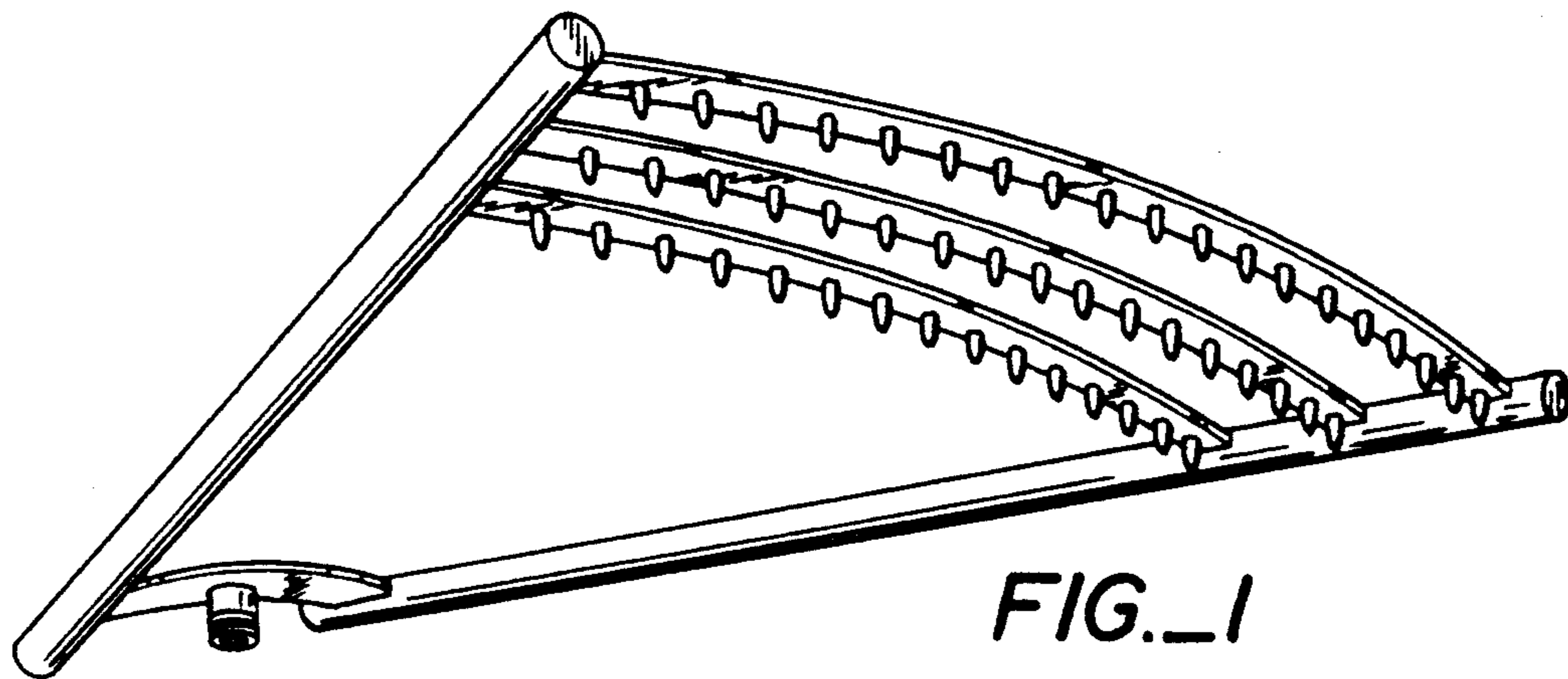
[57] CLAIM

The ornamental design for a shower head, as shown and described.

DESCRIPTION

FIG. 1 is a front left/lower perspective view of the shower head showing my new design;
FIG. 2 is a front view thereof;
FIG. 3 is a right side view thereof, the left side view is a mirror image thereof;
FIG. 4 is a rear view thereof;
FIG. 5 is a bottom view thereof; and,
FIG. 6 is a top view thereof.





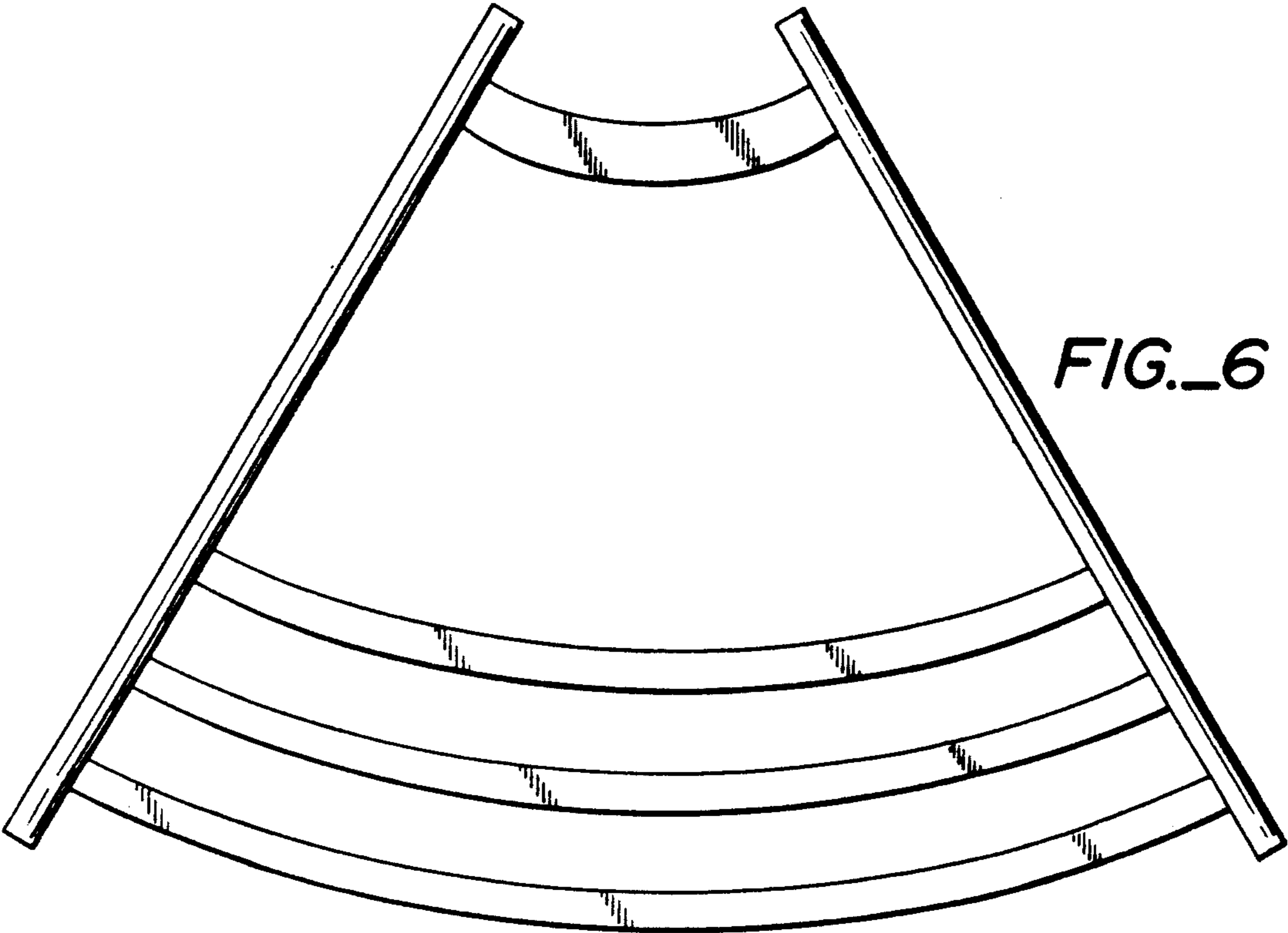


FIG._6



FIG._4

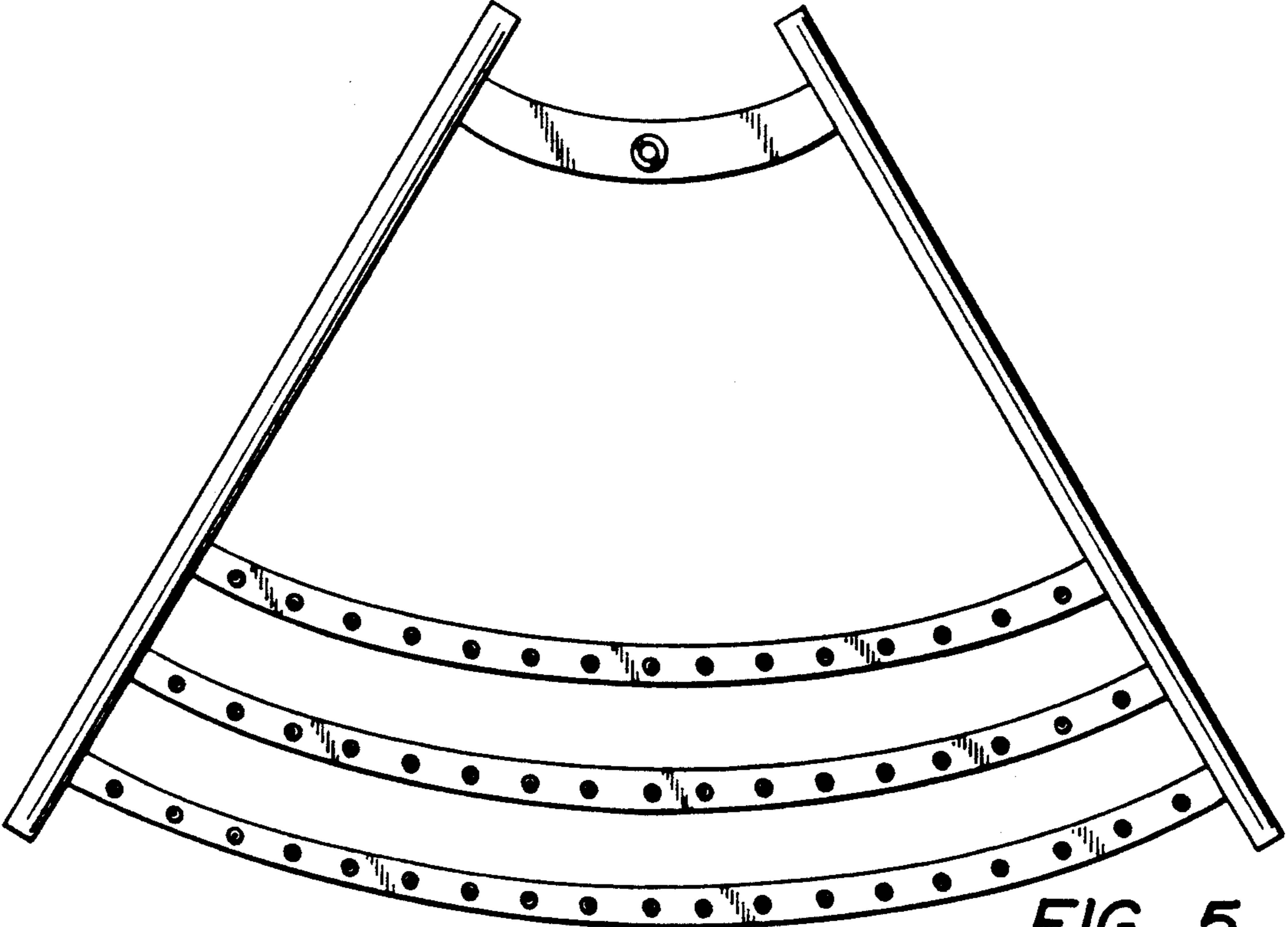


FIG._5