



US00D342553S

United States Patent [19]
Bach

[11] **Patent Number: Des. 342,553**

[45] **Date of Patent: ** Dec. 21, 1993**

[54] **ELEMENT FOR A TOY BUILDING SET**

5,000,713 3/1991 Cheng 446/128

[75] **Inventor: Erik Bach, Billund, Denmark**

Primary Examiner—Bernard Ansher

[73] **Assignee: Interlego A.G., Baar, Switzerland**

Assistant Examiner—R. Barkai

[**] **Term: 14 Years**

Attorney, Agent, or Firm—Kane, Dalsimer, Sullivan,
Kurucz, Levy, Eisele and Richard

[21] **Appl. No.: 1,808**

[57] **CLAIM**

[22] **Filed: Nov. 24, 1992**

The ornamental design for an element for a toy building set, as shown and described.

[52] **U.S. Cl. D21/108**

[58] **Field of Search D21/108; D25/126;
446/105, 114, 125, 128, 231; 273/424, 425**

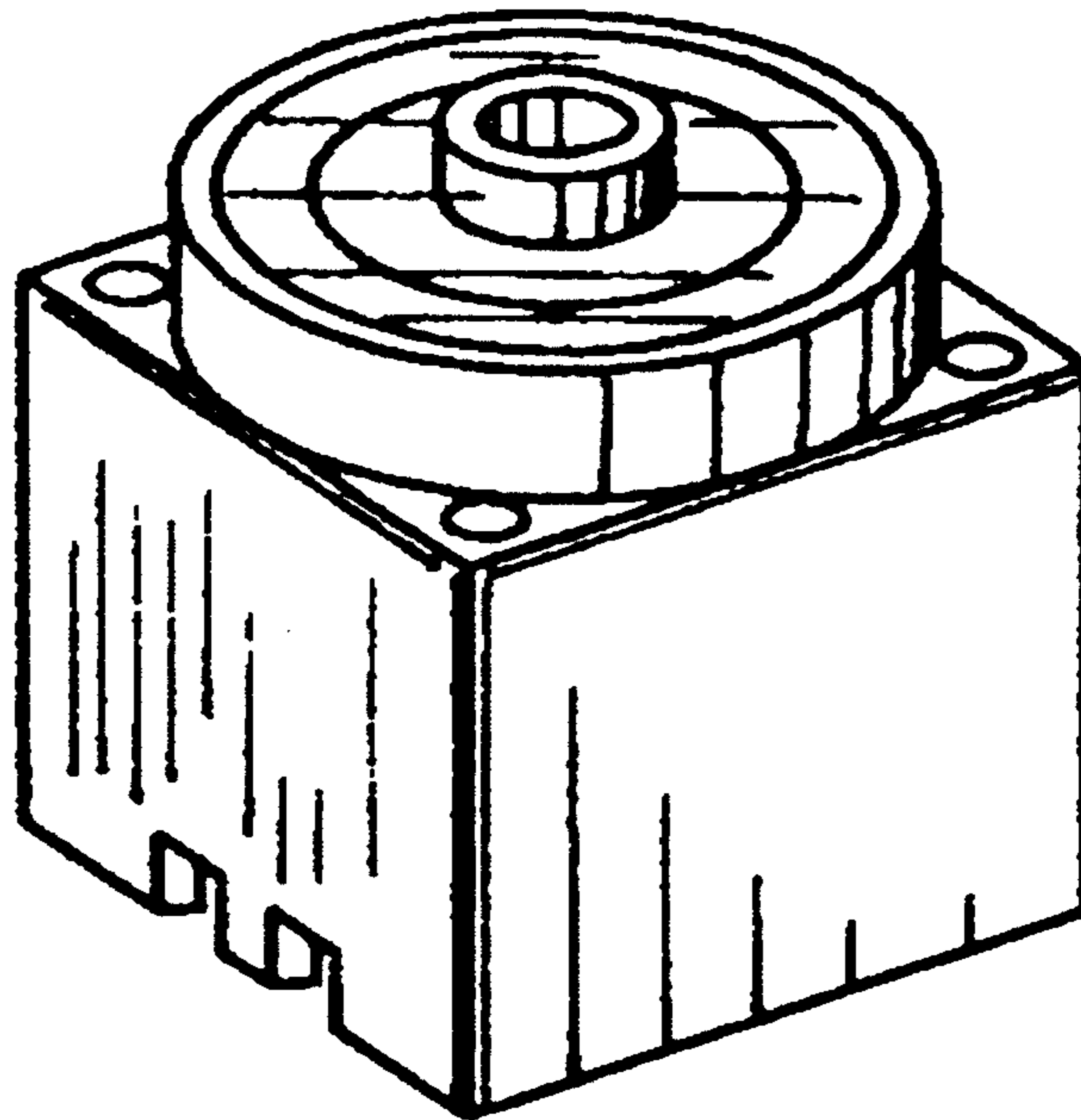
DESCRIPTION

[56] **References Cited**

U.S. PATENT DOCUMENTS

D. 328,929	8/1992	Jarnros	D21/108
2,631,747	3/1953	Stolte	446/125
2,911,818	11/1959	Smith	446/125
3,374,917	3/1968	Troy	446/125
3,391,824	7/1968	Wiseman	446/125

FIG. 1 is a top perspective view of the element for a toy building set, showing my new design;
FIG. 2 is a bottom perspective view thereof;
FIG. 3 is a right side elevational view thereof;
FIG. 4 is a front elevational view thereof;
FIG. 5 is a left side elevational view thereof;
FIG. 6 is a rear elevational view thereof;
FIG. 7 is a top plan view thereof; and,
FIG. 8 is a bottom plan view thereof.



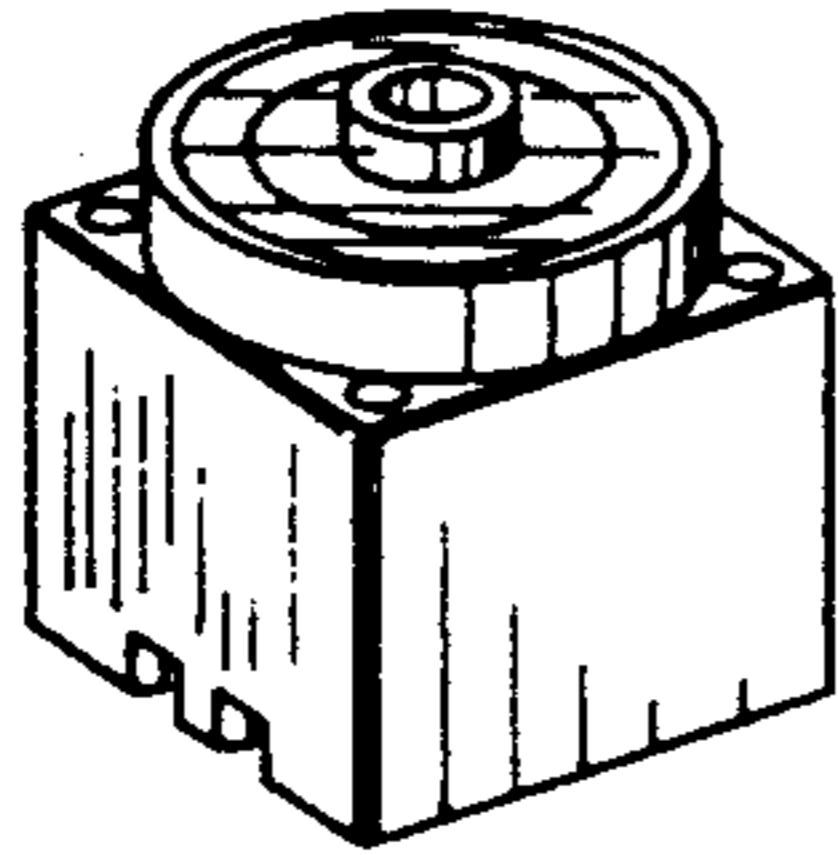


FIG. 1

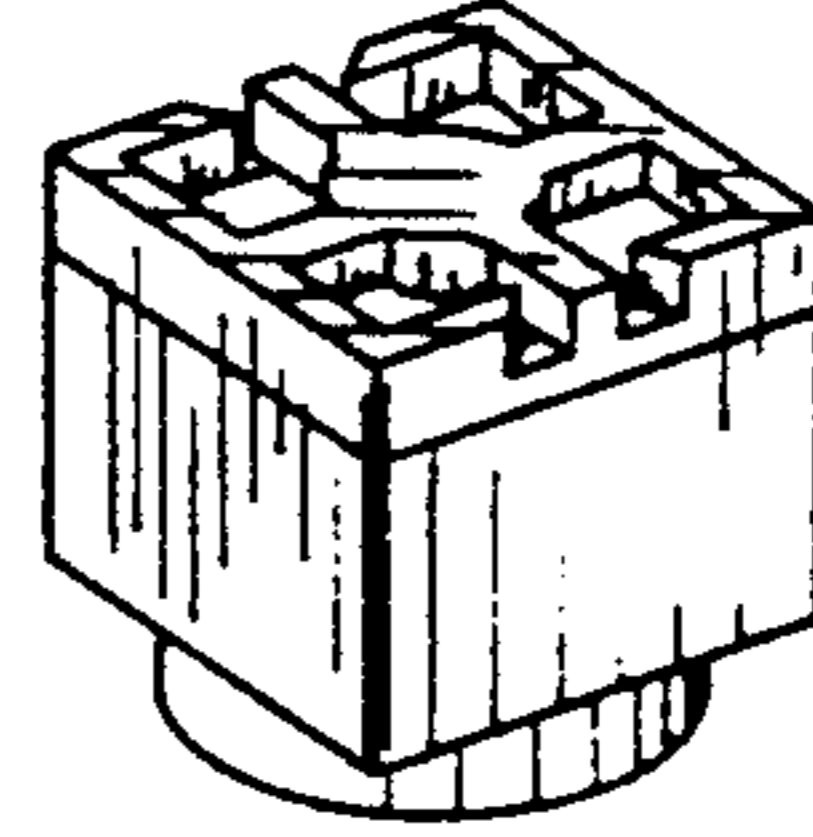


FIG. 2

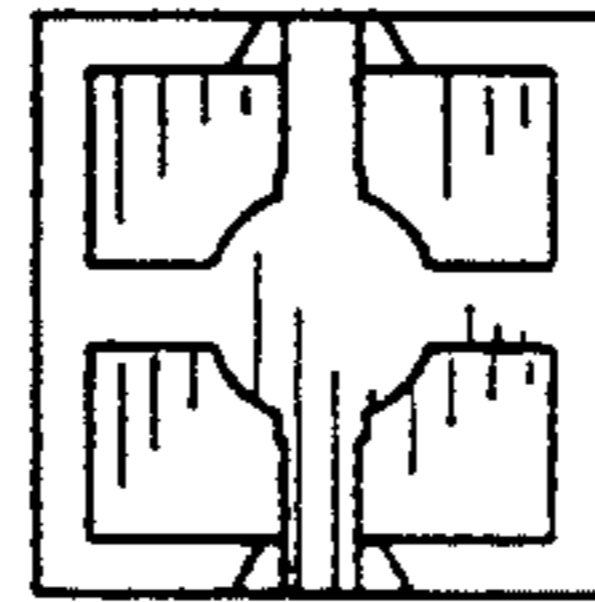


FIG. 8

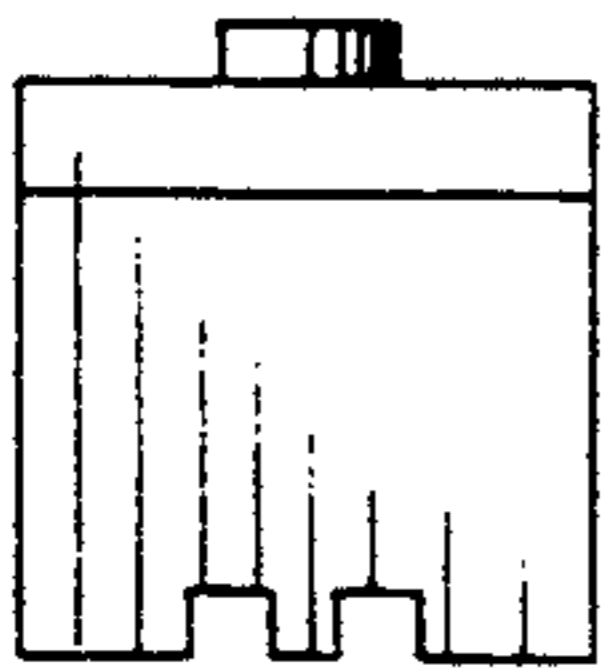


FIG. 6

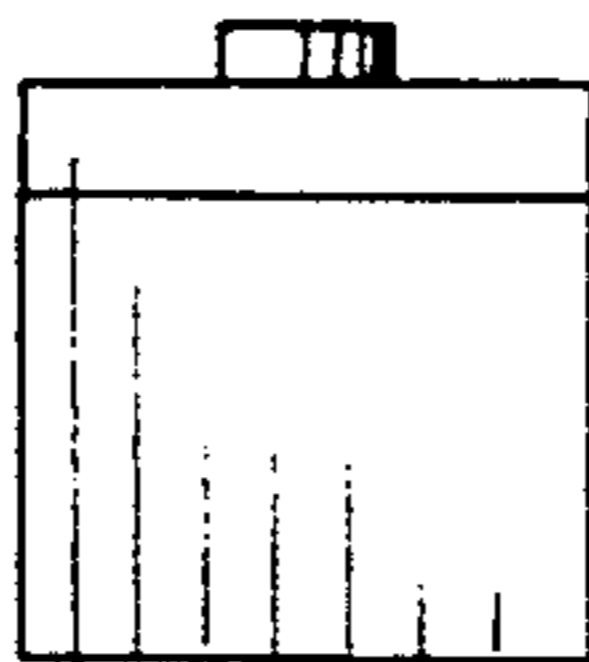


FIG. 5

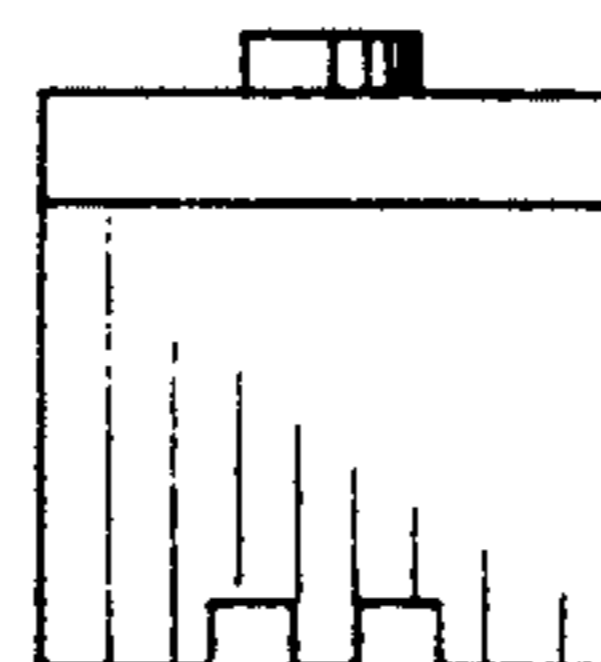


FIG. 4

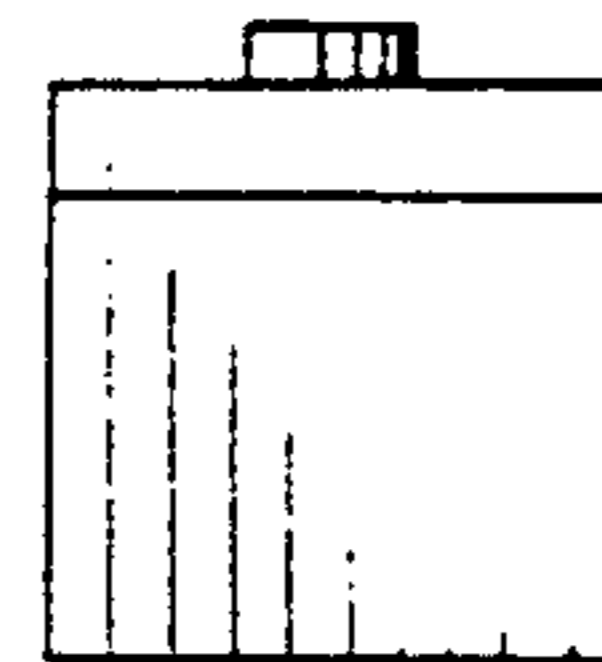


FIG. 3

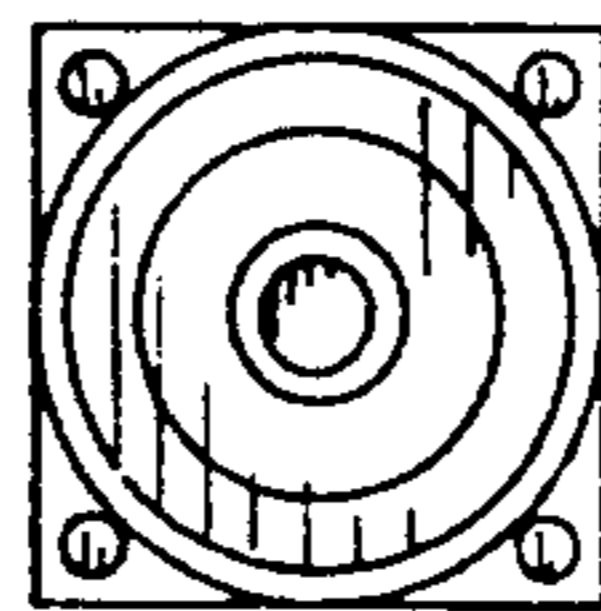


FIG. 7