



US00D342552S

# United States Patent [19]

[11] Patent Number: Des. 342,552

Pagel

[45] Date of Patent: \*\* Dec. 21, 1993

- [54] TOY FENCE FOR A TOY BUILDING SET
- [75] Inventor: **Kim Pagel**, Vandel, Denmark
- [73] Assignee: **Interlego A.G.**, Baar, Switzerland
- [\*\*] Term: **14 Years**
- [21] Appl. No.: **789,114**
- [22] Filed: **Nov. 6, 1991**
- [52] U.S. Cl. .... **D21/108; D21/109**
- [58] Field of Search ..... **D21/108, 109; D25/38, D25/43; 446/85, 128**

Mattel Toys Catalog 1984 p. 63 #1101.  
 B. C. Playthings Catalog 1991-1992, p. 19 Lower Left of Page.  
 Fisher Price Catalog 1987 p. 65 Lower Right of Page.  
 Tomy Toy Catalog 1984 p. 39 Top of Page.

*Primary Examiner*—Bernard Ansher  
*Assistant Examiner*—R. Barkai  
*Attorney, Agent, or Firm*—Kane, Dalsimer, Sullivan, Kurucz, Levy, Eisele and Richard

### [57] CLAIM

The ornamental design for a toy fence for a toy building set, as shown and described.

### [56] References Cited

#### U.S. PATENT DOCUMENTS

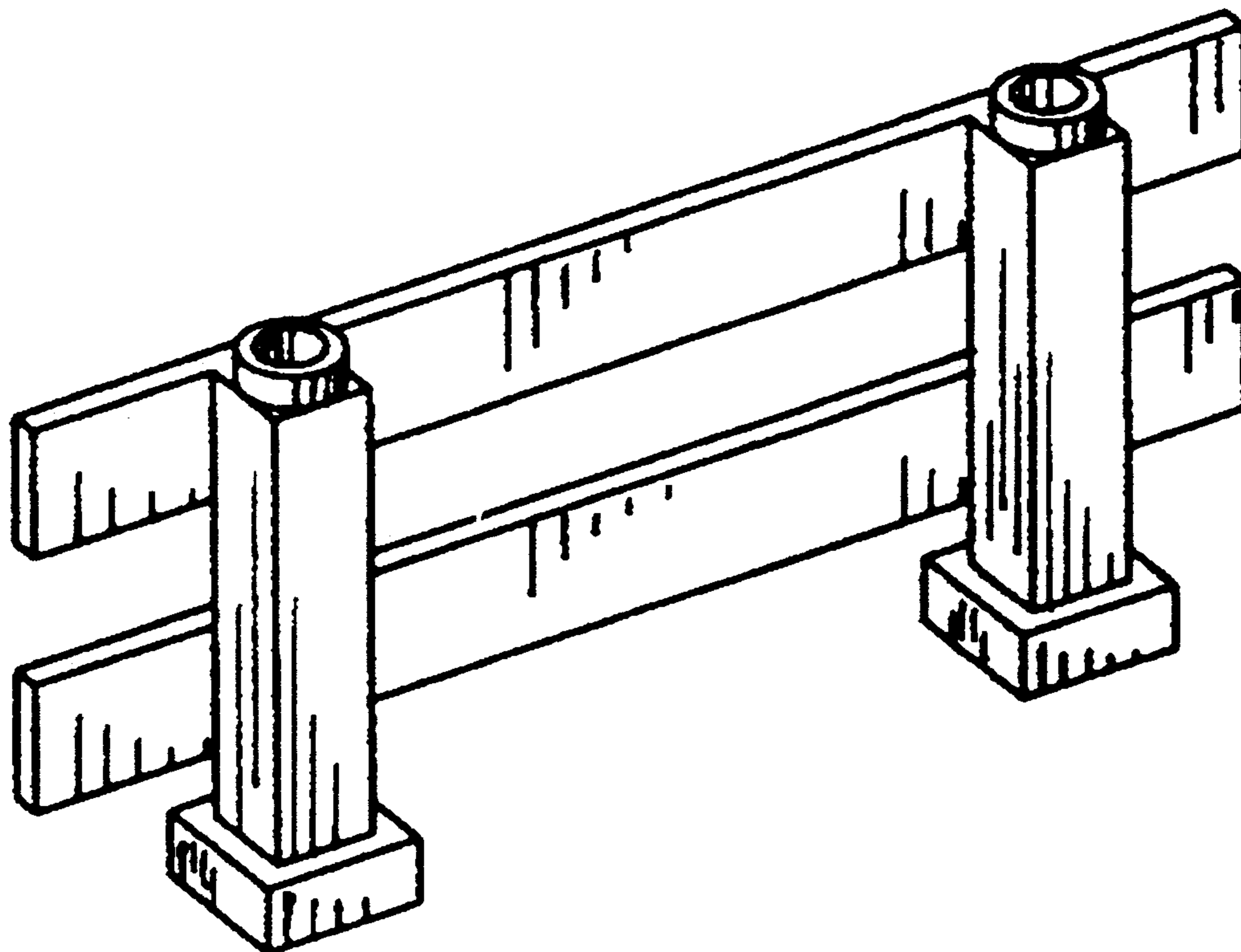
D. 296,345	6/1988	Kushner	.....	D21/108
D. 303,819	10/1989	Frederiksen	.....	D21/108
D. 304,740	11/1989	Dideriksen	.....	D21/109
D. 314,988	2/1991	Olsen	.....	D21/108
D. 327,518	6/1992	Pagel	.....	D21/108
2,332,989	10/1943	Cole	.....	D21/108

#### OTHER PUBLICATIONS

Mattel Toys Catalog 1984 p. 23 #4090.

### DESCRIPTION

FIG. 1 is a top perspective view of the toy fence for a toy building set showing my new design;  
 FIG. 2 is a bottom perspective view thereof;  
 FIG. 3 is a right side elevational view thereof;  
 FIG. 4 is a front elevational view thereof;  
 FIG. 5 is a left side elevational view thereof;  
 FIG. 6 is a rear elevational view thereof;  
 FIG. 7 is a top plan view thereof; and,  
 FIG. 8 is a bottom plan view thereof.



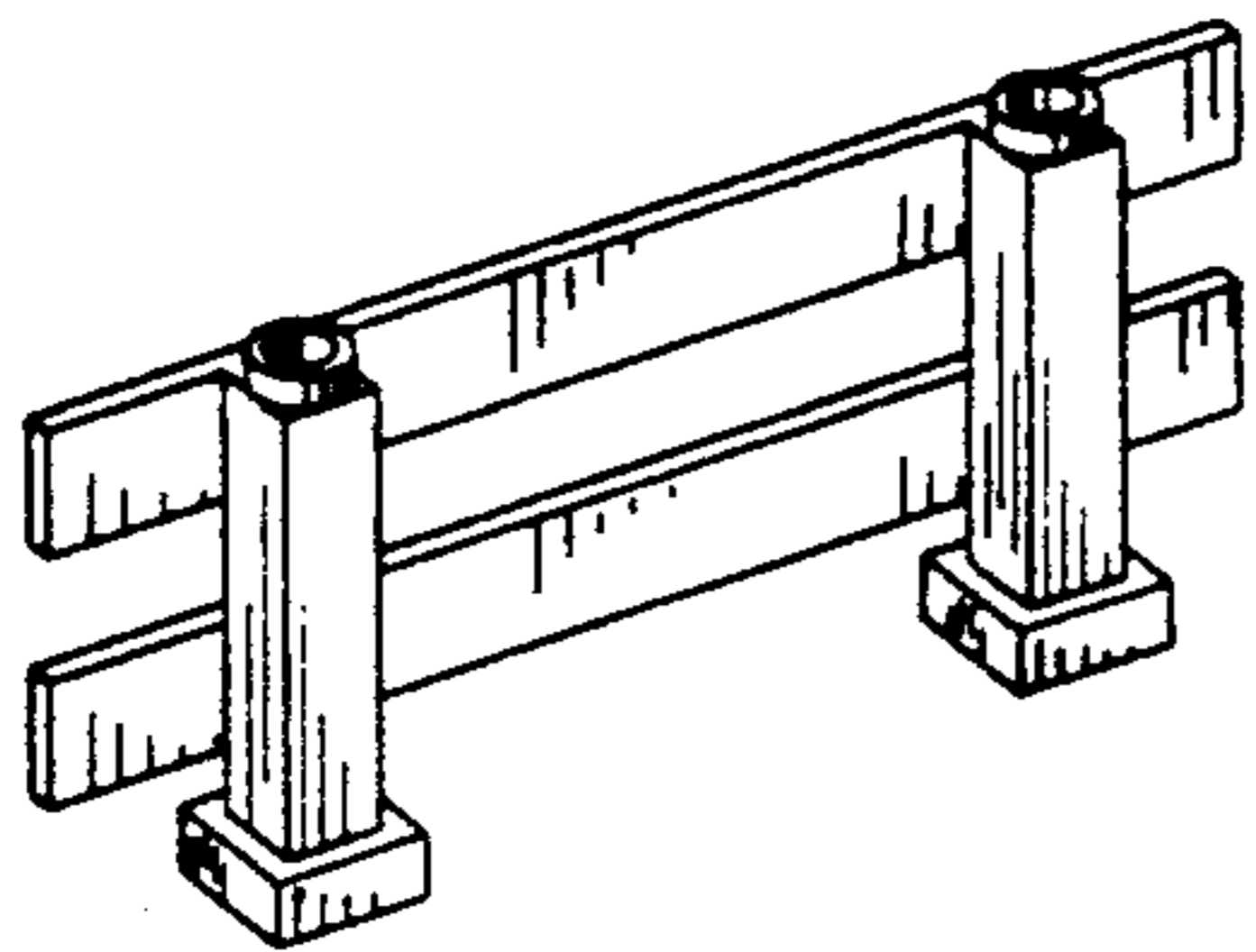


FIG. 1

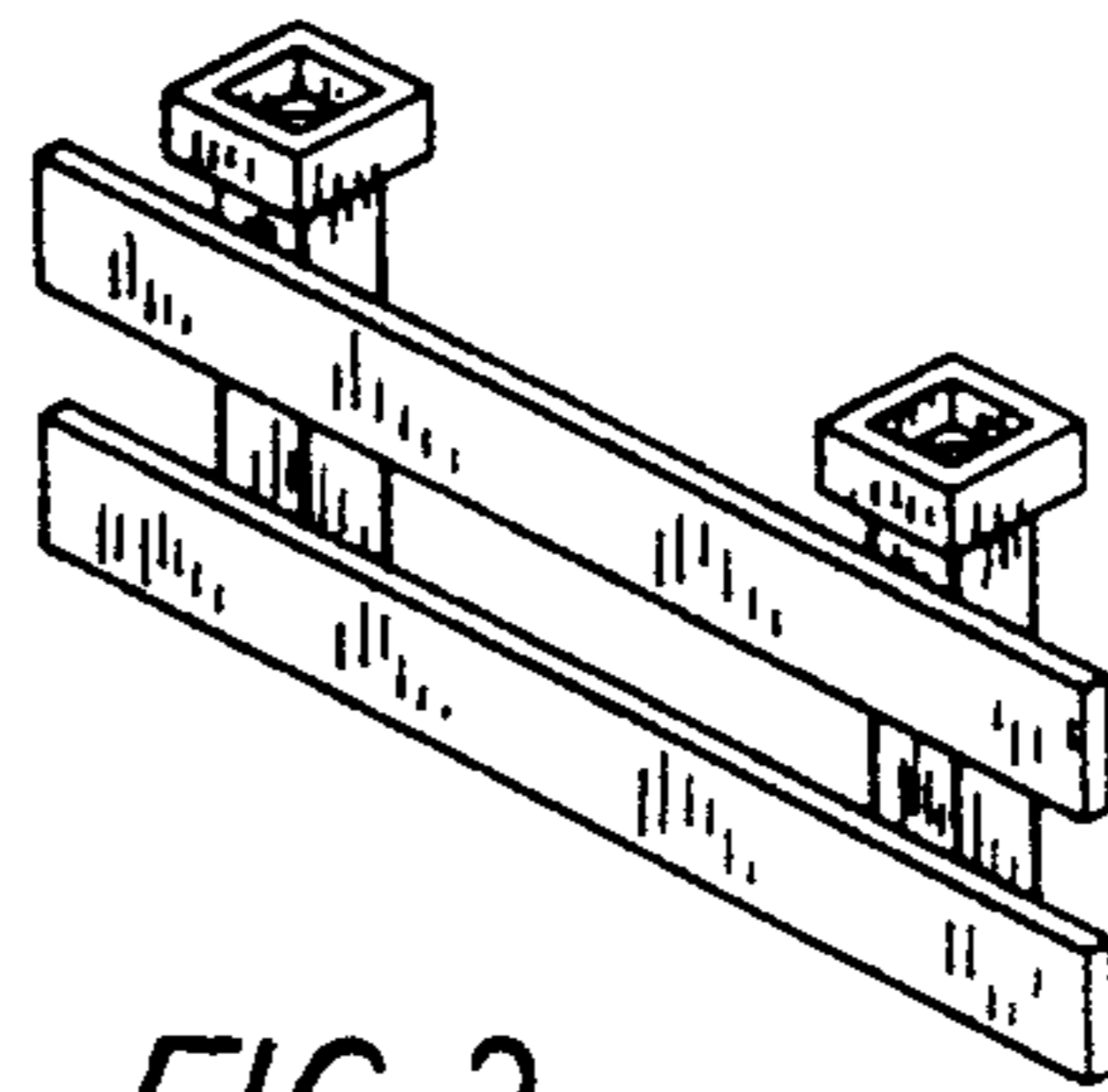


FIG. 2

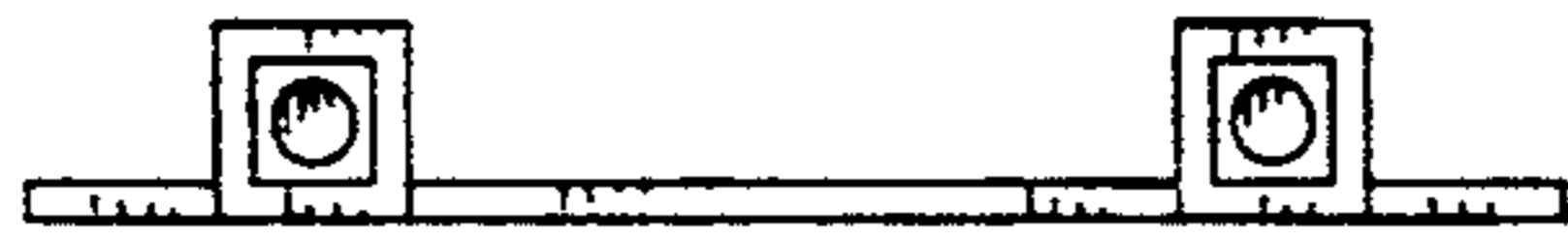


FIG. 8



FIG. 6

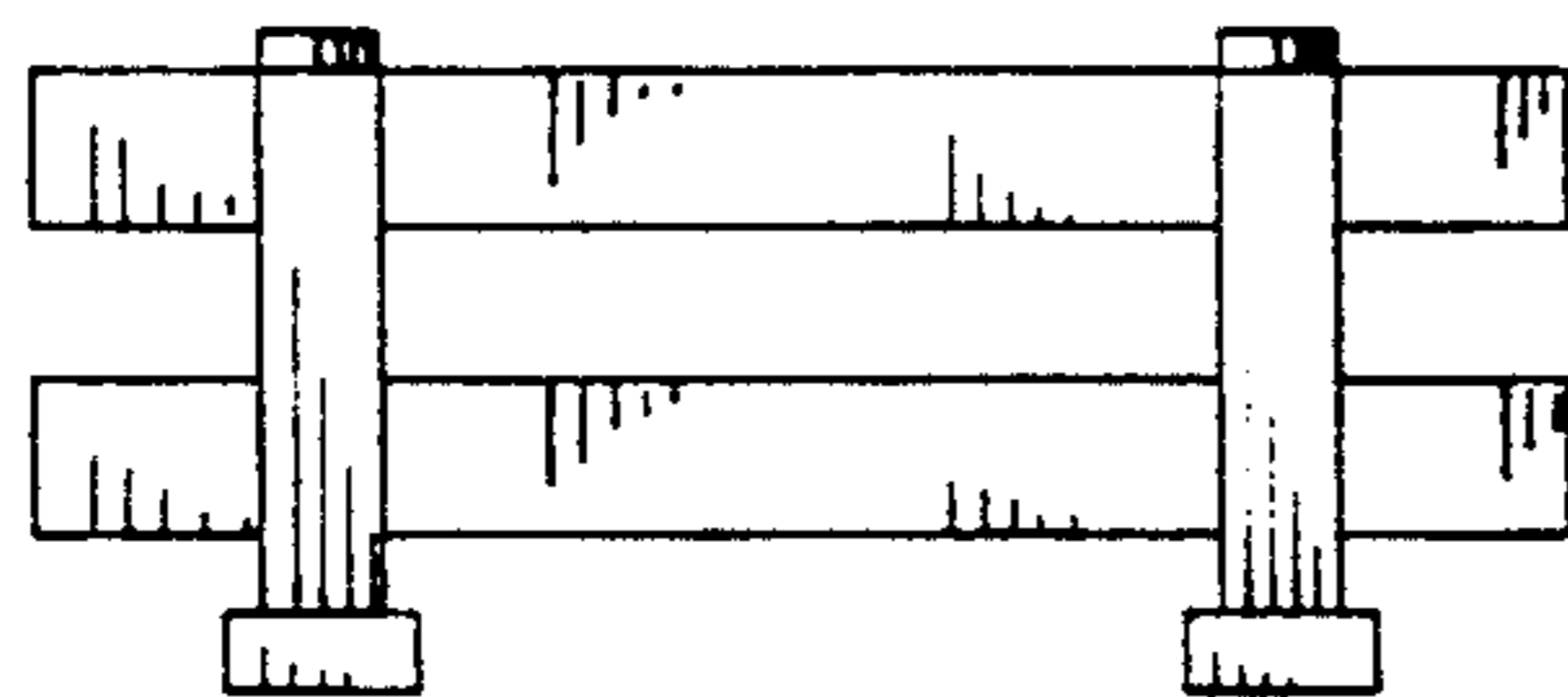


FIG. 5



FIG. 4

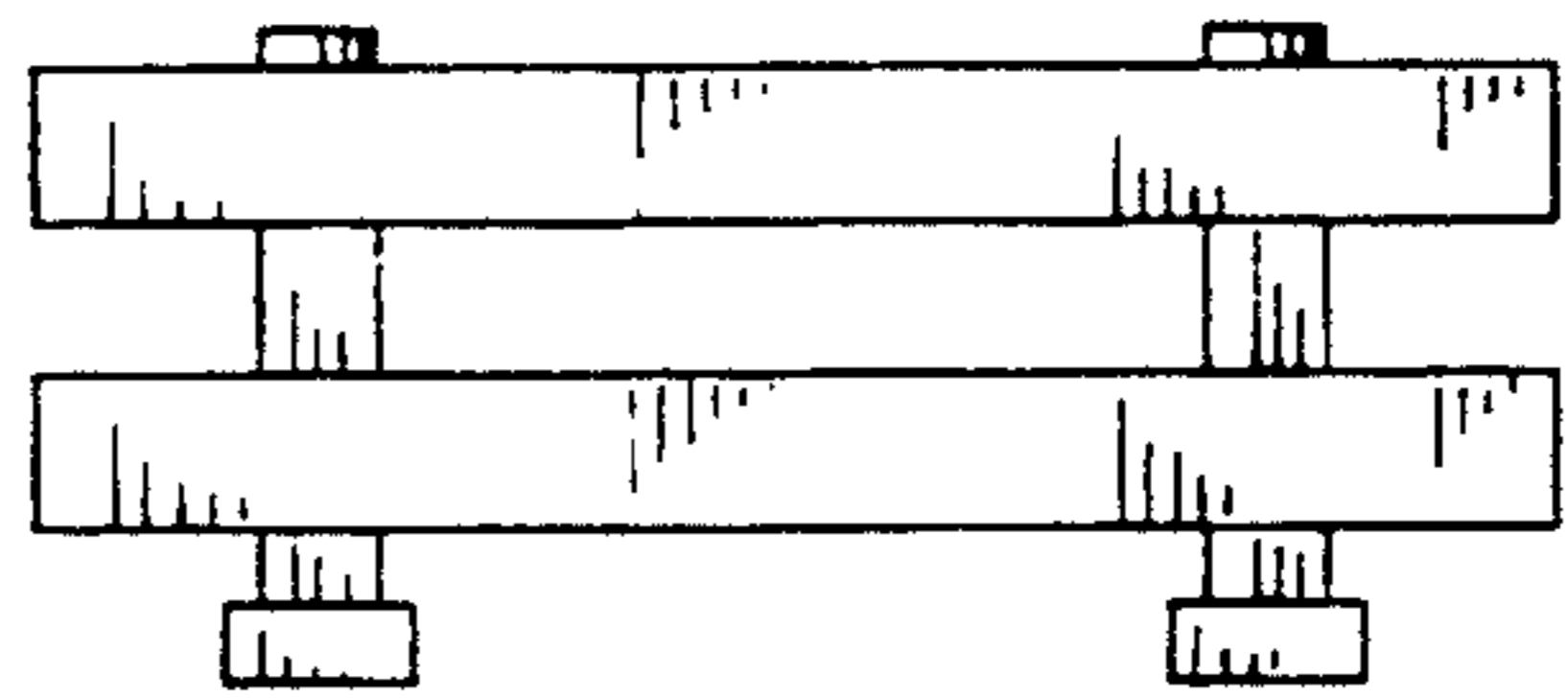


FIG. 3

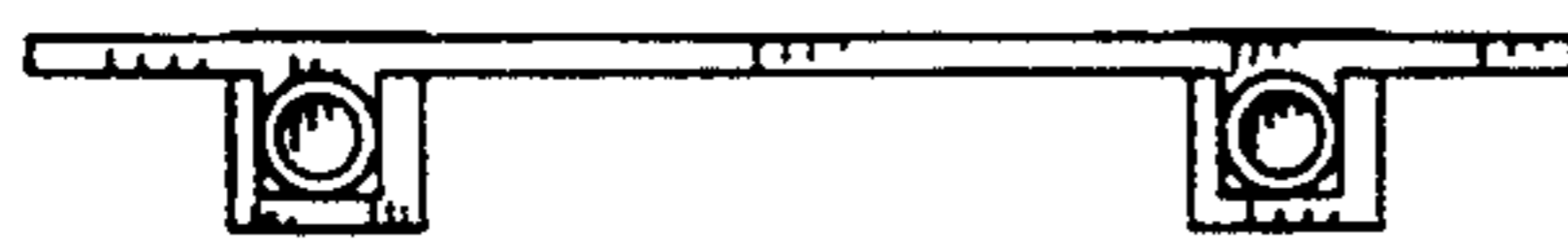


FIG. 7