



US00D342551S

# United States Patent [19]

D'Andrade et al.

[11] Patent Number: **Des. 342,551**

[45] Date of Patent: **\*\* Dec. 21, 1993**

[54] **COMBINED AERODYNAMIC GLIDER AND LAUNCHER**

[76] Inventors: **Bruce M. D'Andrade**, 3 Ten Eyck Rd., Whitehouse Station, N.J. 08889; **Lonnie G. Johnson**, 4030 Ridgehurst Dr., Smyrna, Ga. 30080

[\*\*] Term: **14 Years**

[21] Appl. No.: **864,973**

[22] Filed: **Apr. 7, 1992**

[52] U.S. Cl. .... **D21/82; D21/87**

[58] Field of Search ..... **D21/82, 87, 91; D22/100, 104, 105, 113, 114; 446/56, 61, 63, 211, 212; 222/79**

[56] **References Cited**

**U.S. PATENT DOCUMENTS**

D. 149,848 6/1948 Struck ..... D21/87

D. 157,767	3/1950	Lindenbaum .....	D21/87
D. 168,724	2/1953	Anderson .....	D21/87
2,708,431	5/1955	Walker .....	446/63 X
2,784,524	3/1957	Jackle .....	446/61
3,014,308	12/1961	Parris .....	D21/87 X

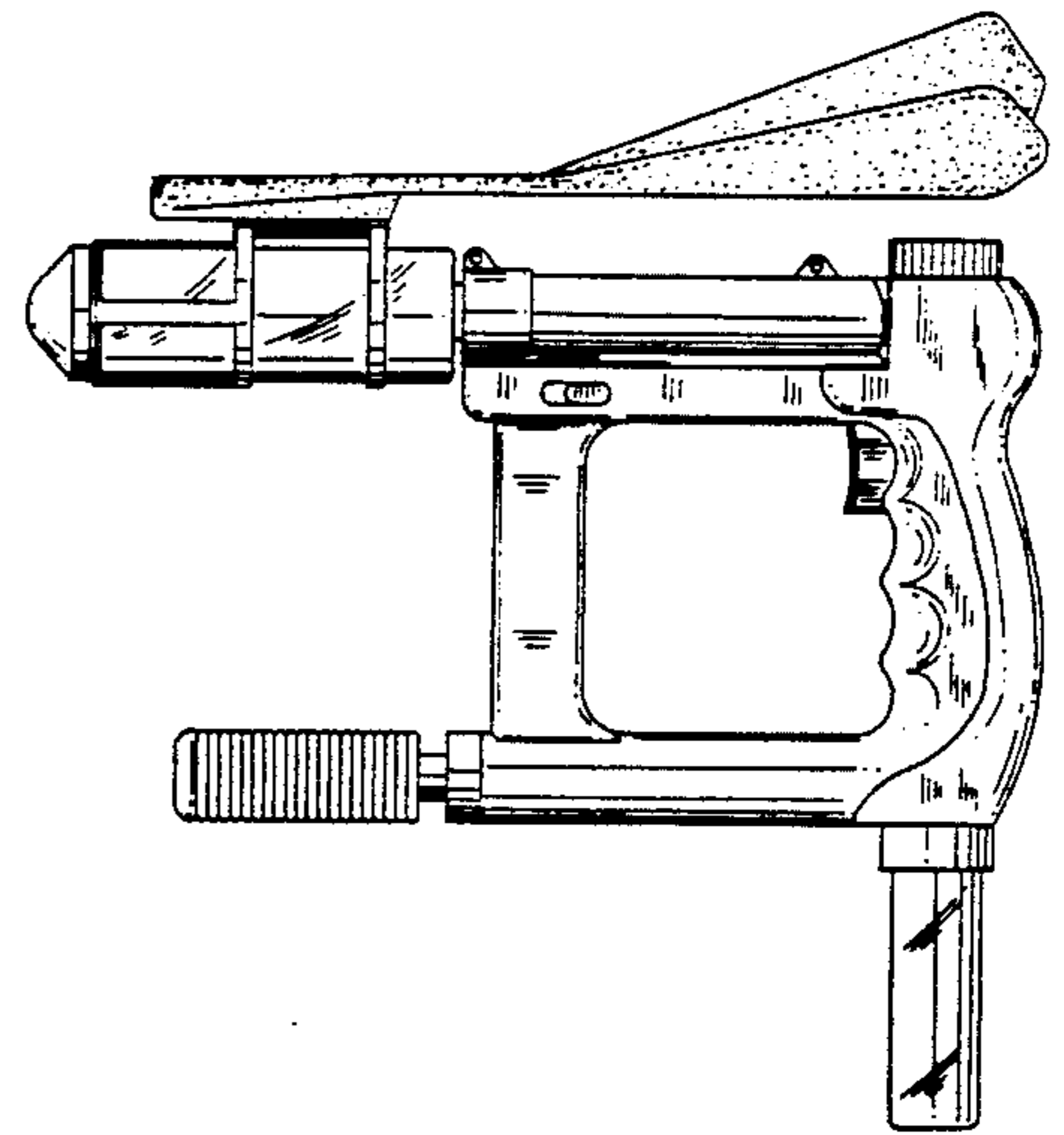
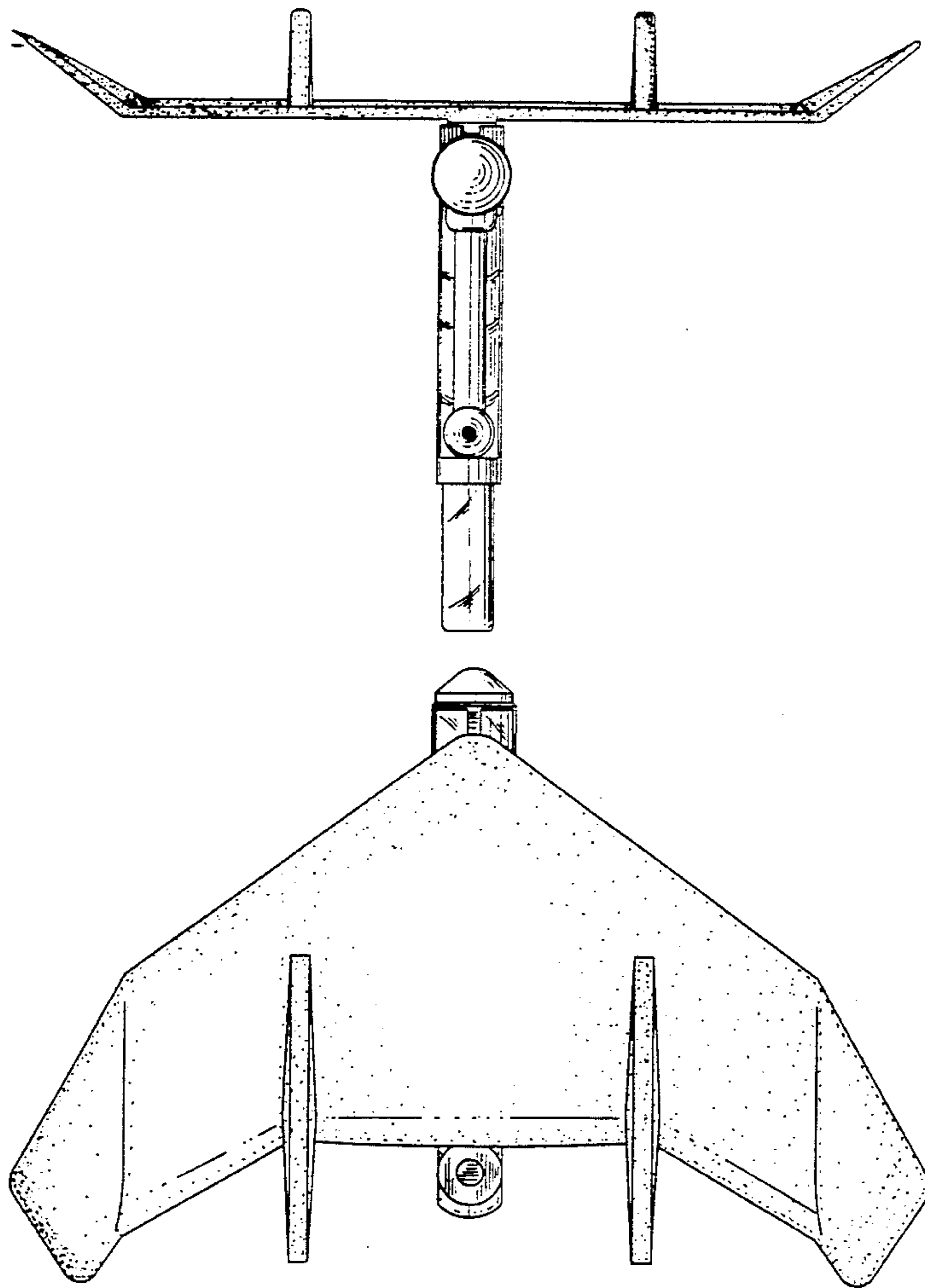
*Primary Examiner*—Bernard Ansher  
*Assistant Examiner*—Dominic Simone  
*Attorney, Agent, or Firm*—Kenneth P. Glynn

[57] **CLAIM**

The ornamental design for a combined aerodynamic glider and launcher, as shown and described.

**DESCRIPTION**

FIG. 1 is a front elevational view of an combined aerodynamic glider and launcher showing our new design; FIG. 2 is a rear elevational view thereof; FIG. 3 is a left side elevational view thereof; FIG. 4 is a right side elevational view thereof; FIG. 5 is a top plan view thereof; and, FIG. 6 is a bottom plan view thereof.



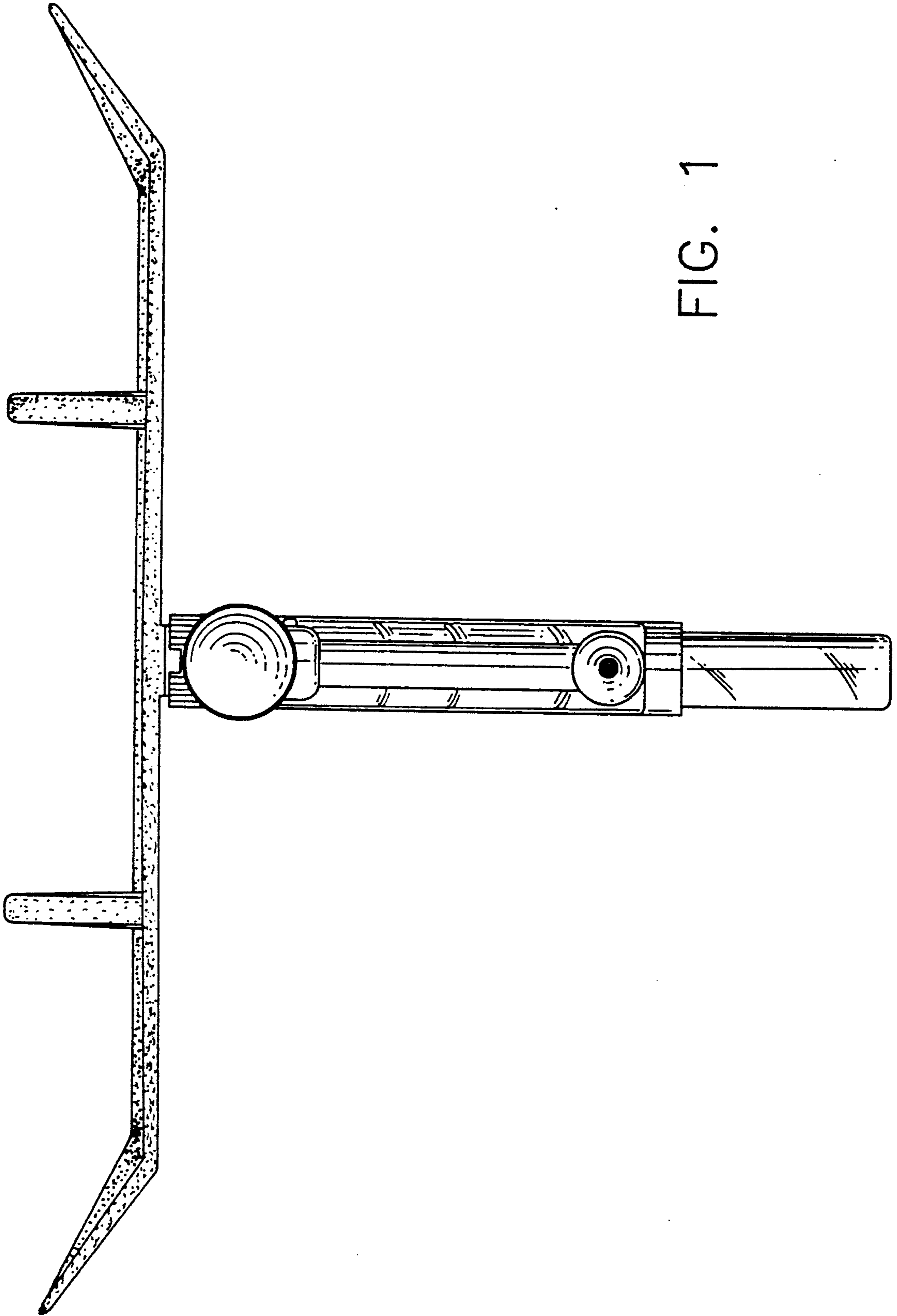


FIG. 1

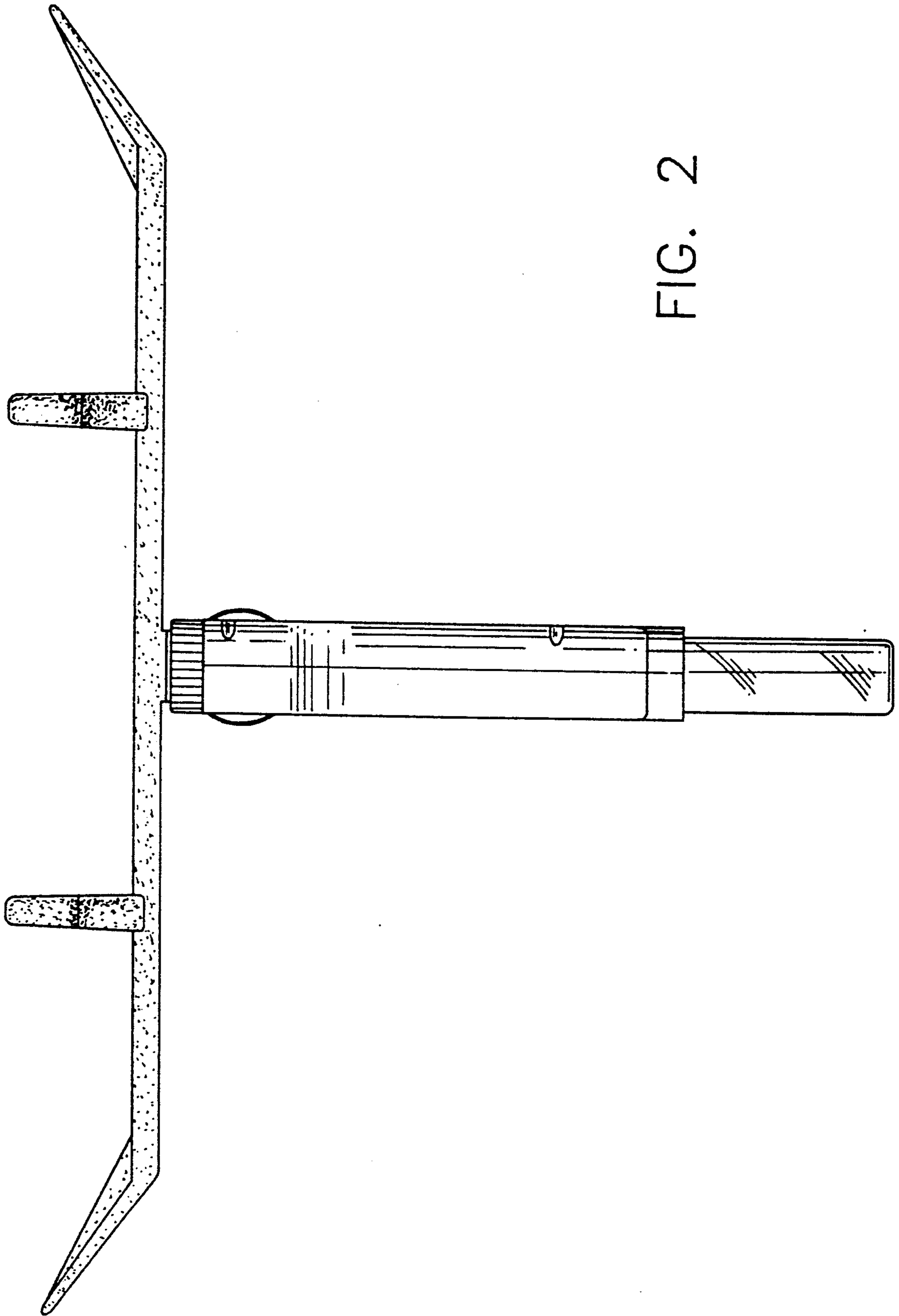


FIG. 2

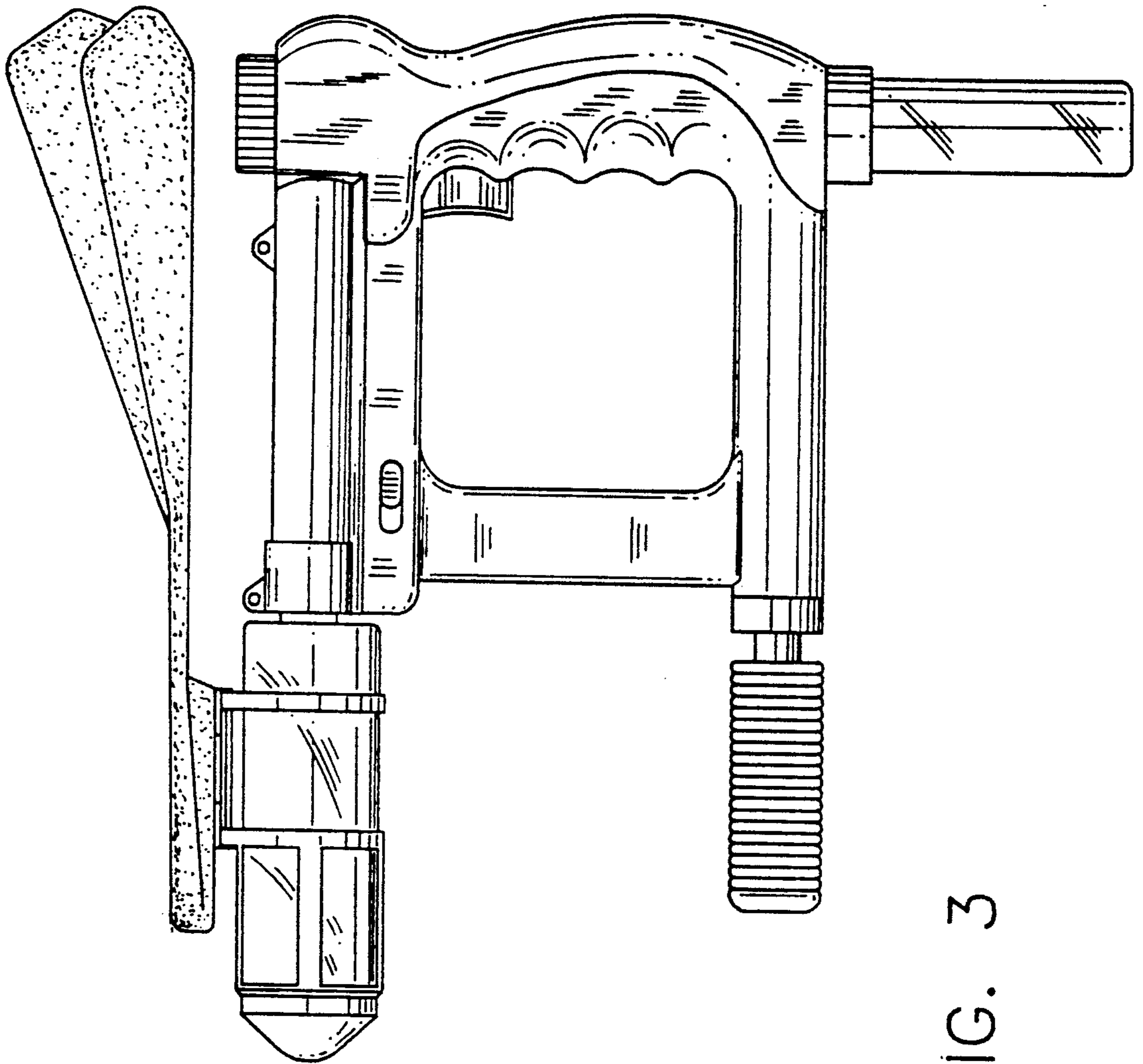


FIG. 3

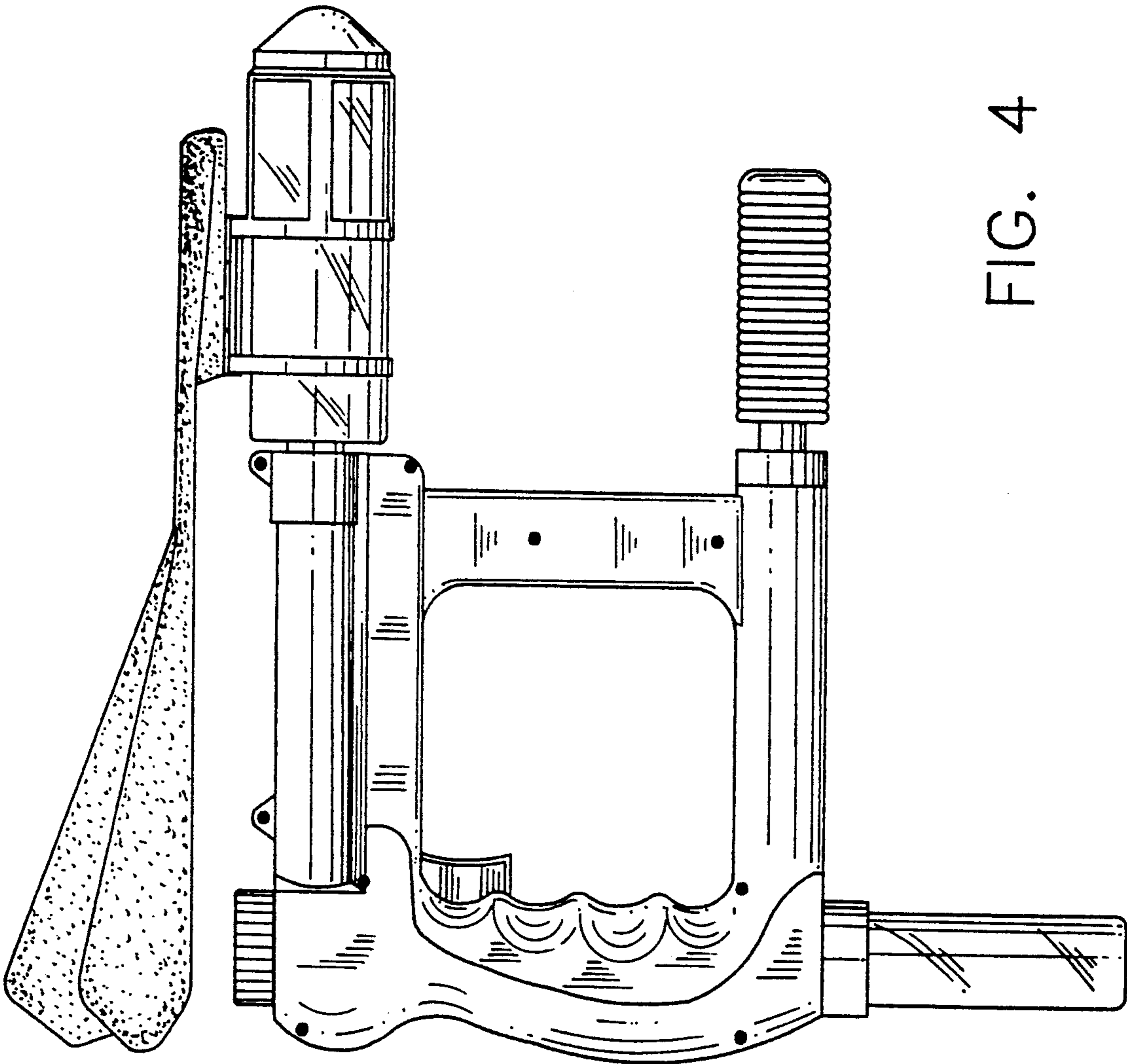


FIG. 4



FIG. 5

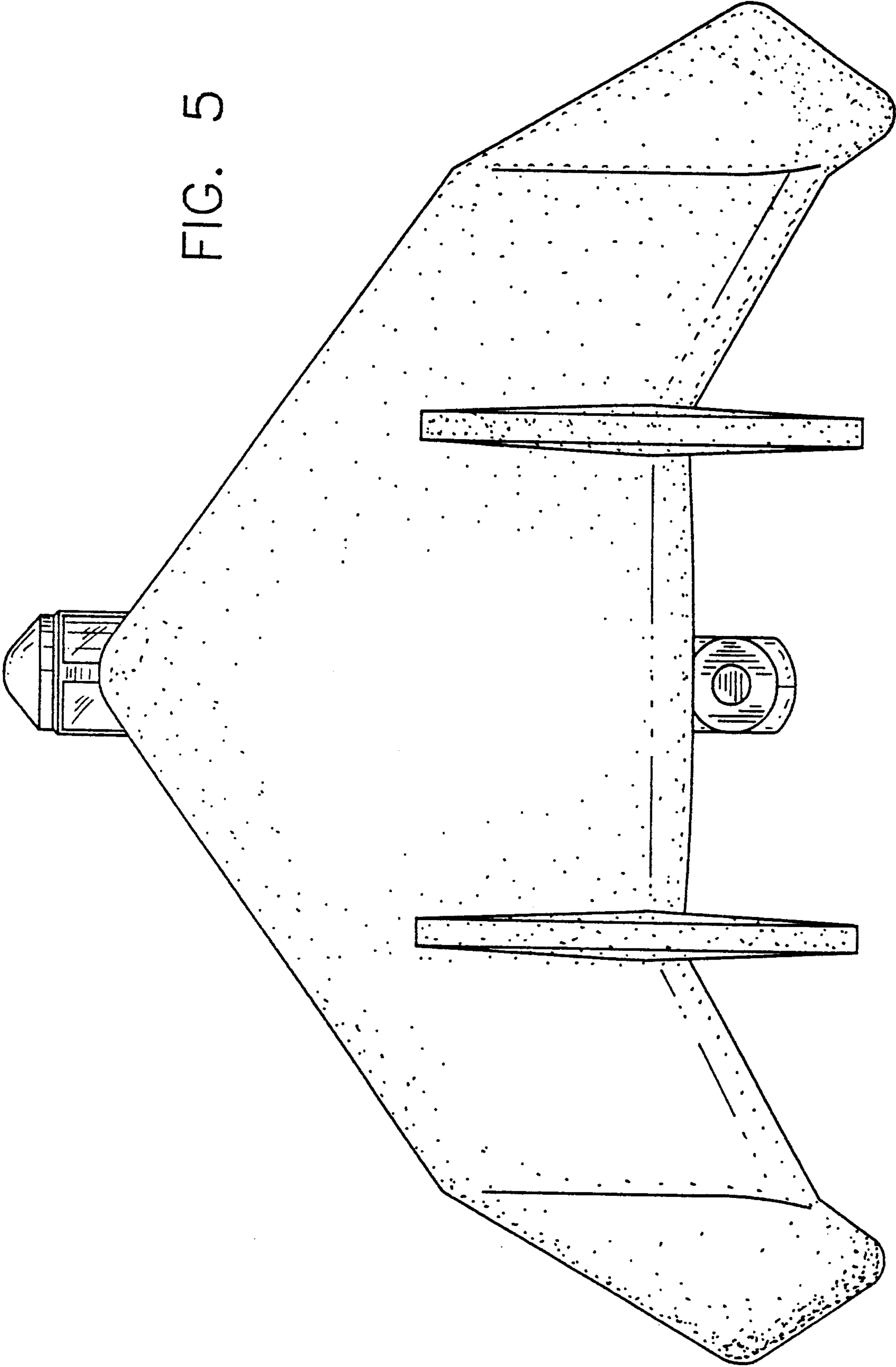


FIG. 6

