



US00D342548S

# United States Patent [19]

[11] Patent Number: Des. 342,548

Kirchhoff et al.

[45] Date of Patent: \*\* Dec. 21, 1993

[54] **TAPE DISPENSER**

[75] Inventors: **Kenneth J. Kirchhoff**, Gen Lake;  
**Casey L. Carlson**, Edina, both of  
Minn.

[73] Assignee: **Minnesota Mining and  
Manufacturing Company**, St. Paul,  
Minn.

[\*\*] Term: **14 Years**

[21] Appl. No.: **908,011**

[22] Filed: **Jul. 1, 1992**

[52] U.S. Cl. .... **D19/69; D19/67**

[58] Field of Search ..... **D19/65, 67, 68, 69,  
D19/99, 100; 225/6, 11, 12, 7, 19, 34, 35, 56, 65,  
77, 89; 156/523, 527**

D. 270,649	9/1983	Evenson .....	D19/69
D. 289,180	4/1987	Crawford et al. .	
D. 297,548	9/1988	Sun .....	D19/69
D. 298,042	10/1988	Szablak et al. ....	D19/67
D. 329,462	9/1992	Bain .....	D19/67 X
D. 331,072	11/1992	Dotterman et al. ....	D19/69
2,305,592	12/1942	Anderson .....	225/11
2,553,658	5/1951	Larson .....	225/12

*Primary Examiner*—Nelson C. Holtje  
*Assistant Examiner*—Martie Thompson  
*Attorney, Agent, or Firm*—Gary L. Griswold; Walter N. Kirn; William L. Huebsch

[57] **CLAIM**

The ornamental design for a tape dispenser, as shown and described.

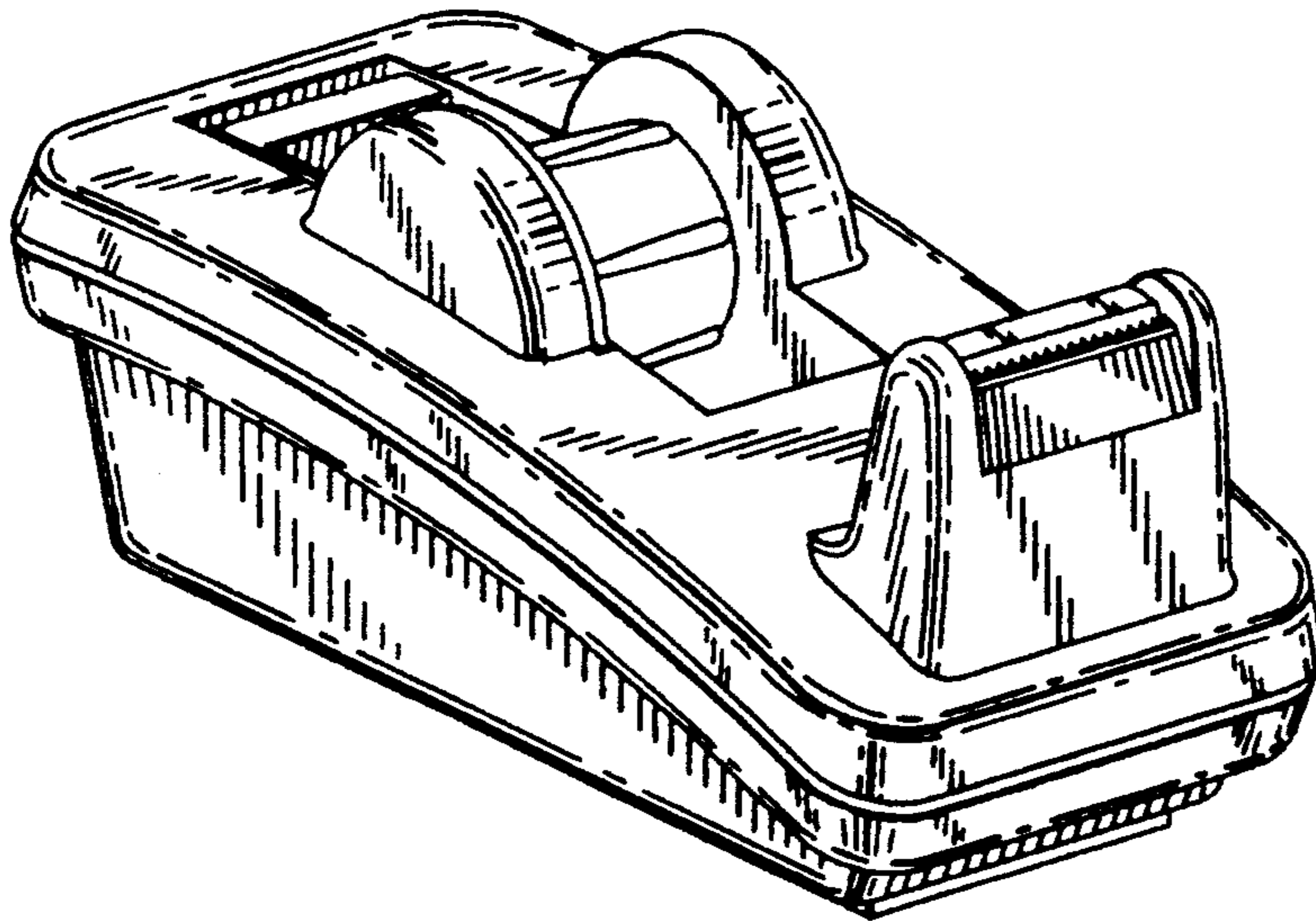
**DESCRIPTION**

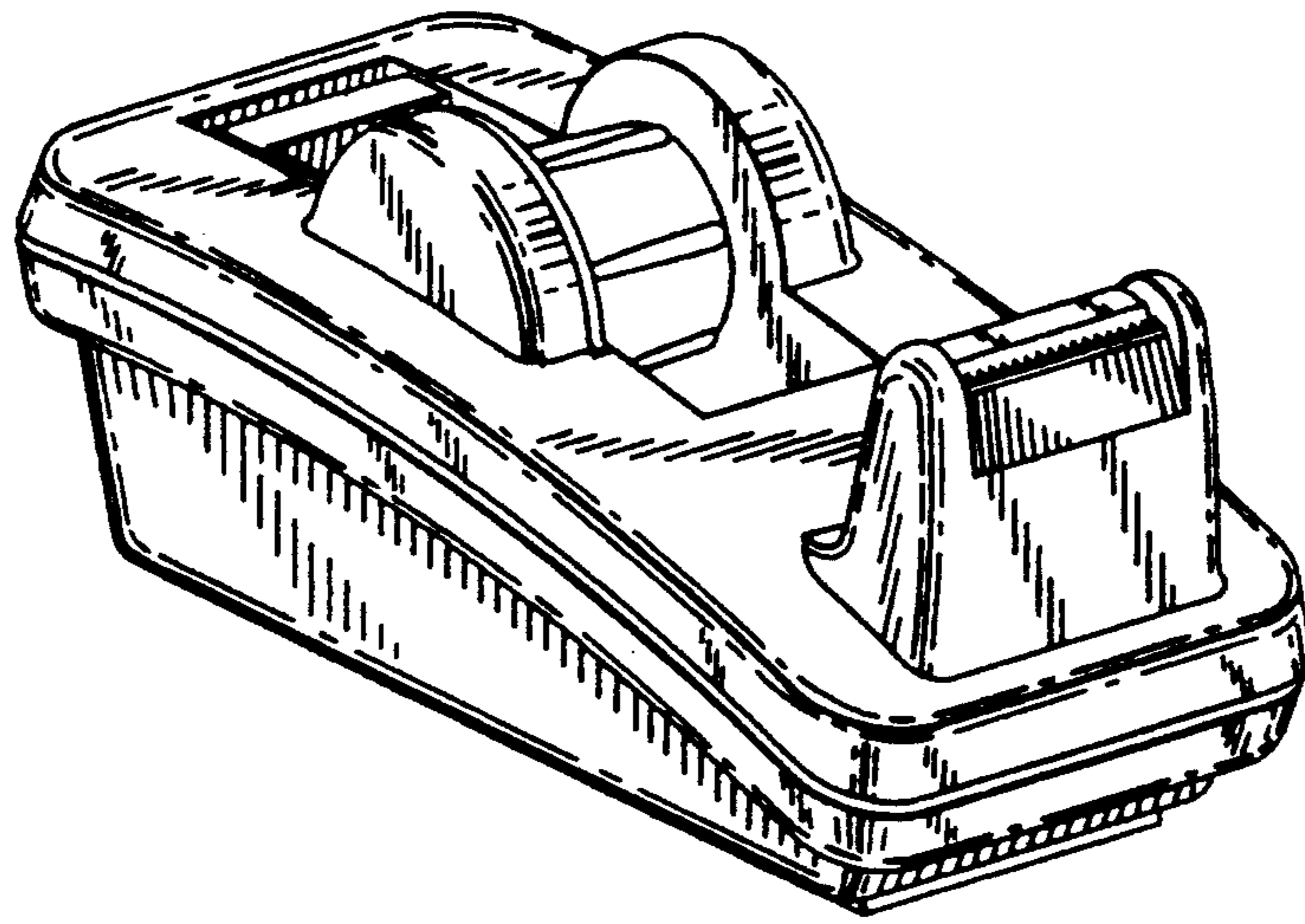
FIG. 1 is a top, left front isometric view of a tape dispenser showing our new design;  
FIG. 2 is a top plan view thereof;  
FIG. 3 is a bottom plan view thereof;  
FIG. 4 is a left side elevational view thereof, the right side elevational view being the mirror image thereof;  
FIG. 5 is a front elevational view thereof; and,  
FIG. 6 is a rear elevational view thereof.

[56] **References Cited**

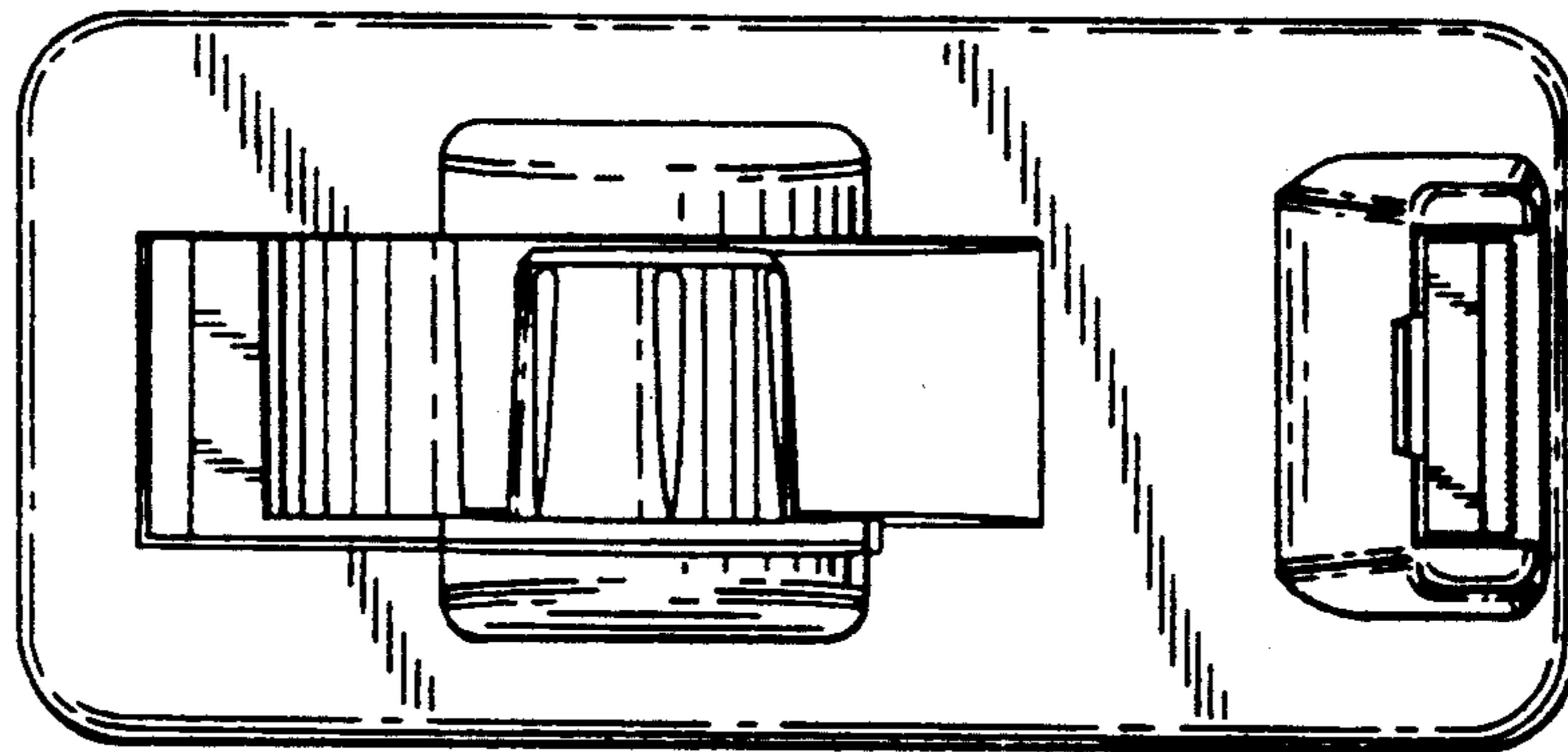
**U.S. PATENT DOCUMENTS**

D. 109,930	5/1938	Reinecke .....	D19/69
D. 169,989	7/1953	Reinecke .....	D19/69
D. 190,781	7/1961	Reinecke .....	D74/1
D. 248,561	7/1978	Deering, Jr. ....	D19/69
D. 254,556	3/1980	Johnson .....	D19/69

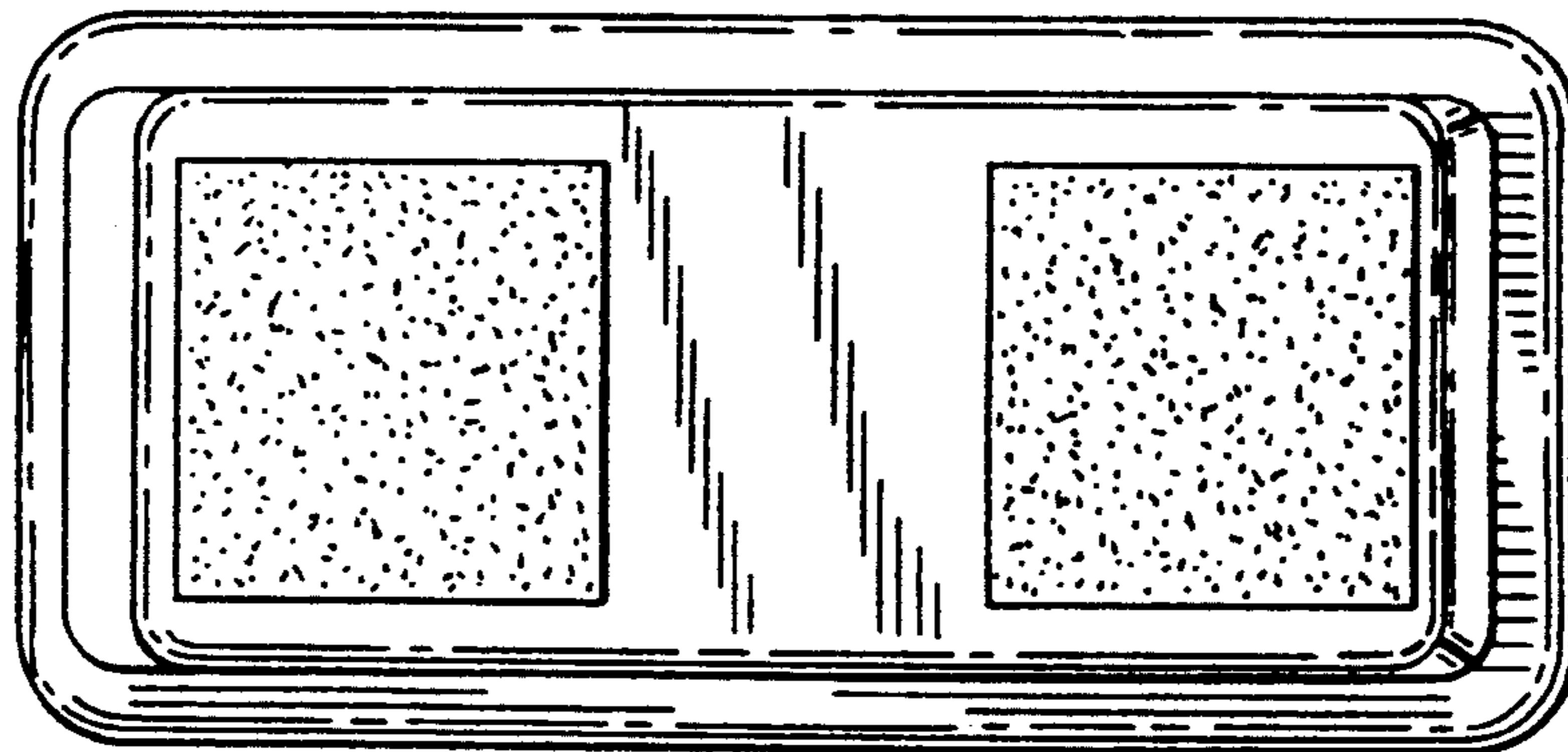




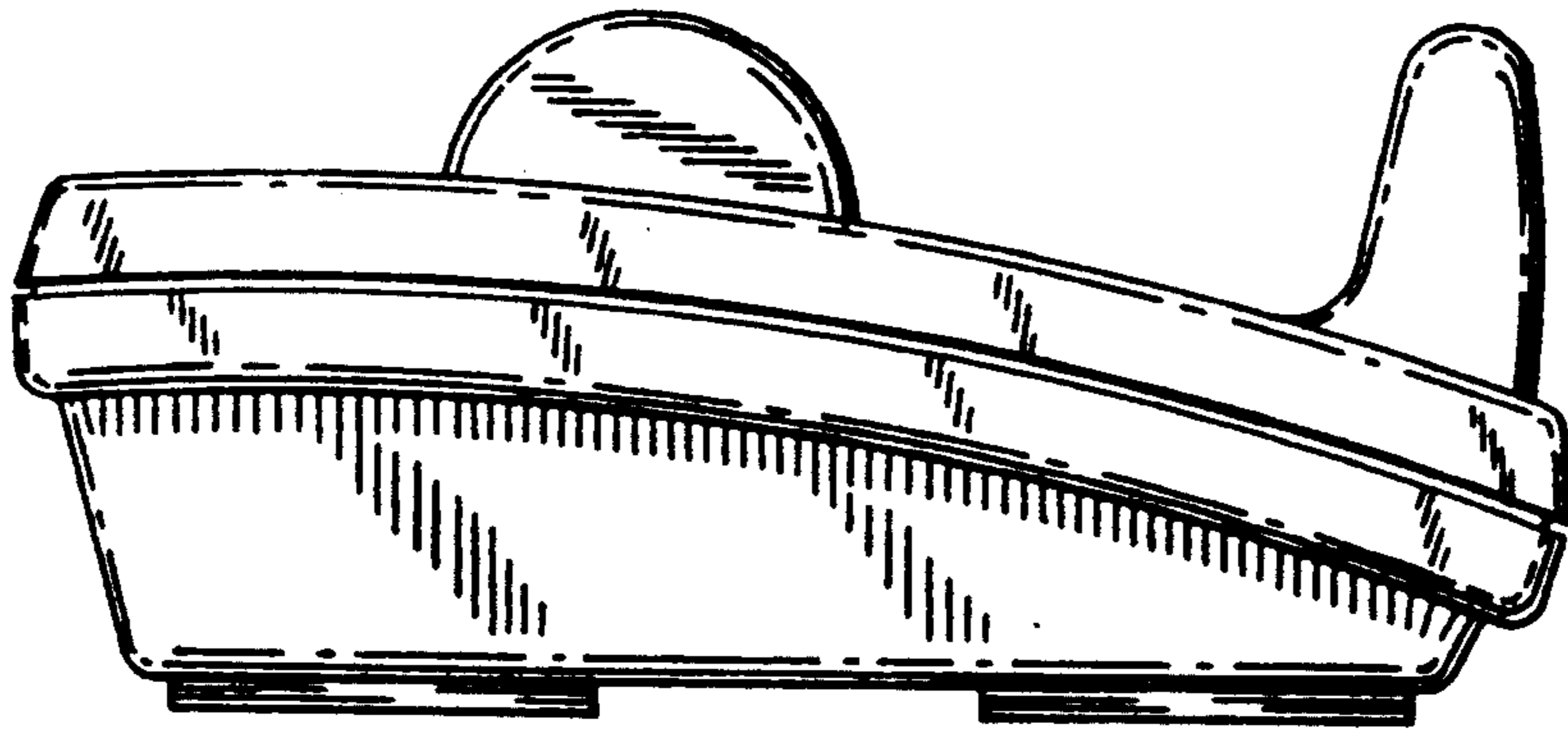
**Fig. 1**



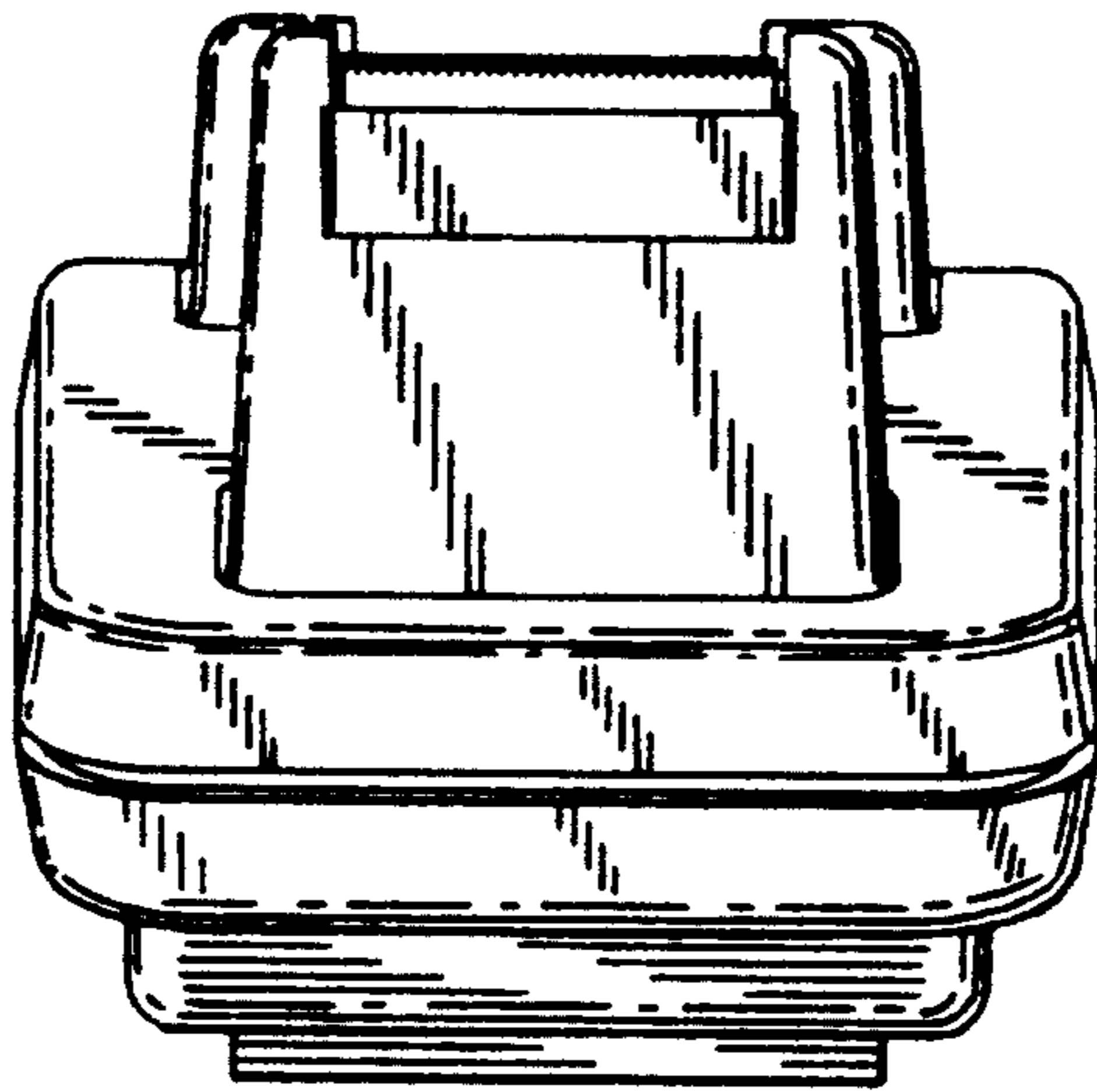
**Fig. 2**



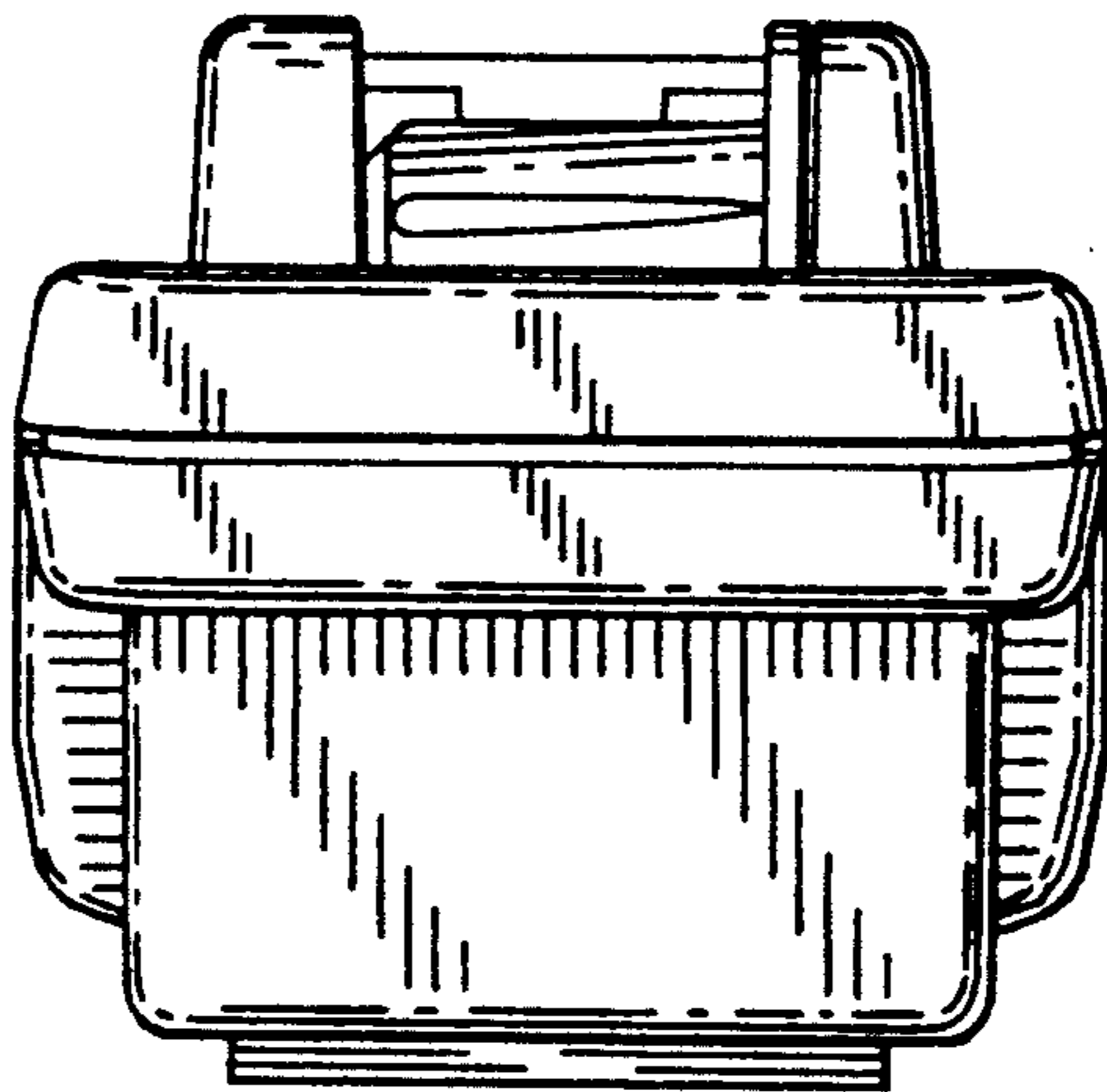
**Fig. 3**



**Fig. 4**



**Fig. 5**



**Fig. 6**