



US00D342543S

United States Patent [19]

[11] Patent Number: **Des. 342,543**

Reisman

[45] Date of Patent: **** Dec. 21, 1993**

[54] **ELECTRONIC HARP**

2,812,681 11/1957 Carron D17/16
4,744,280 5/1988 Garritano D17/16

[76] Inventor: **Ron Reisman, 5 Hasatat St.,
Jerusalem, Israel**

Primary Examiner—Bernard Ansher
Assistant Examiner—Philip Hyder
Attorney, Agent, or Firm—Sandler, Greenblum &
Bernstein

[**] Term: **14 Years**

[21] Appl. No.: **713,326**

[22] Filed: **Jun. 11, 1991**

[52] U.S. Cl. **D17/1**

[58] Field of Search **D17/1; D21/64; 84/177,
84/470 R, DIG. 17, DIG. 22, 724, 464 R, 464
A, 477 R, 478**

[57] **CLAIM**

The ornamental design for a electronic harp, as shown
and described.

DESCRIPTION

FIG. 1 is a front perspective view of an electronic harp,
showing my new design;
FIG. 2 is a rear perspective view thereof;
FIG. 3 is a front elevational view thereof;
FIG. 4 is a top plan view thereof;
FIG. 5 is a bottom plan view thereof;
FIG. 6 is a left side elevational view thereof; and,
FIG. 7 is a right side elevational view thereof.

[56] **References Cited**

U.S. PATENT DOCUMENTS

D. 186,409 10/1959 Pratt D17/16
D. 193,360 8/1962 Pratt D17/16
D. 249,295 9/1978 Pinkins, Jr. D17/16
D. 252,112 6/1979 Legnasky et al. D21/64
D. 273,802 5/1984 Bousman D21/64

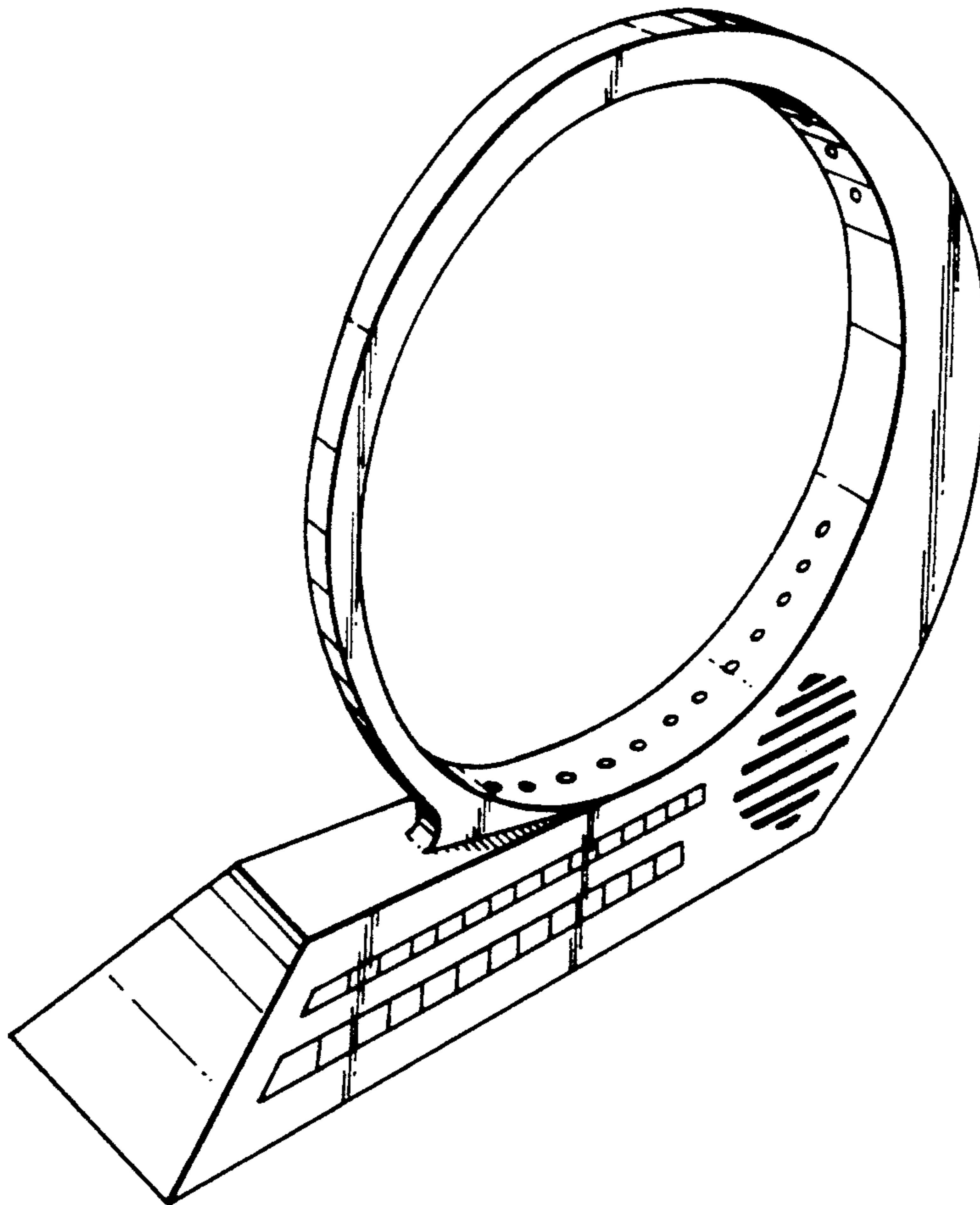


Fig. 1.

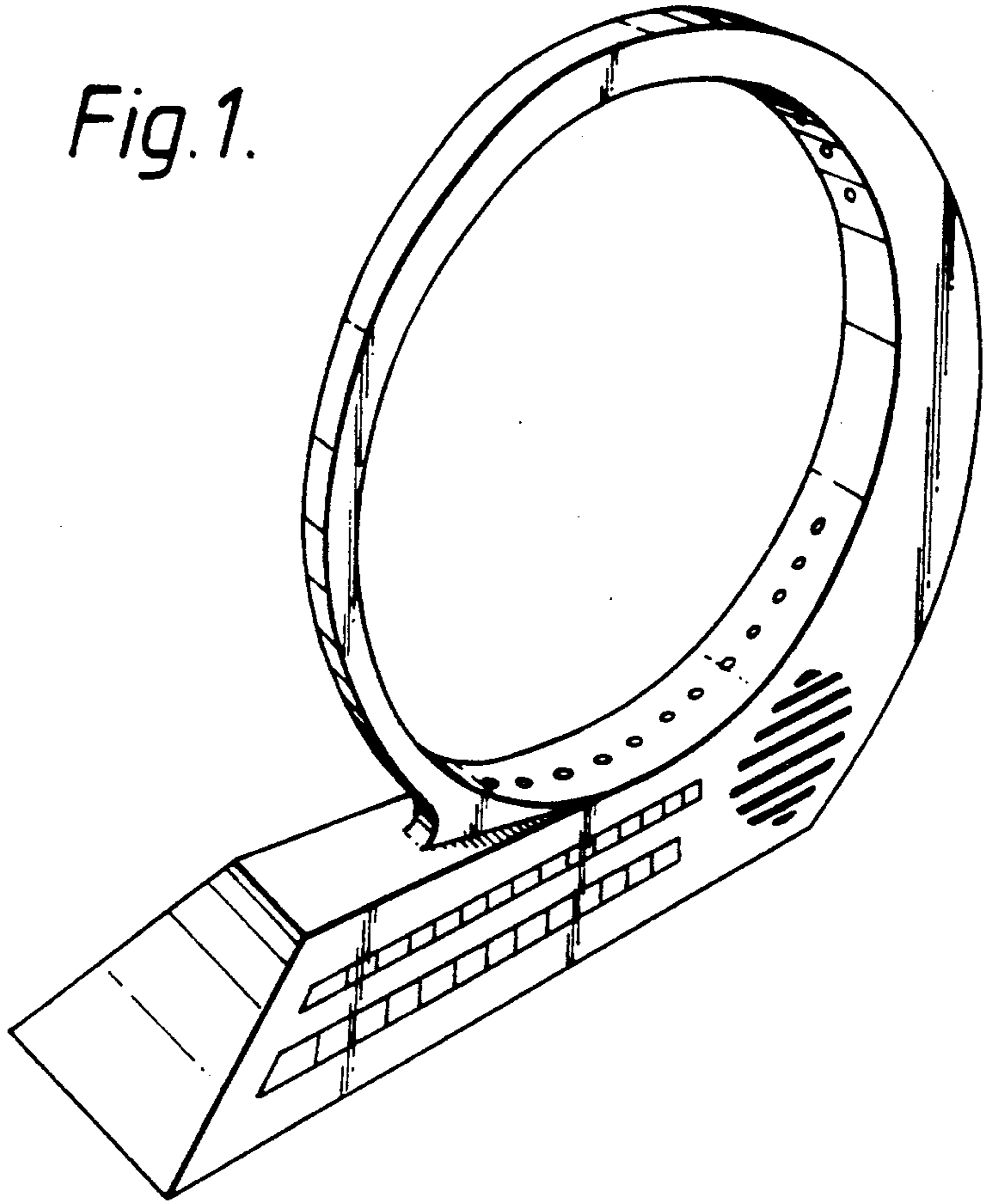


Fig. 2.

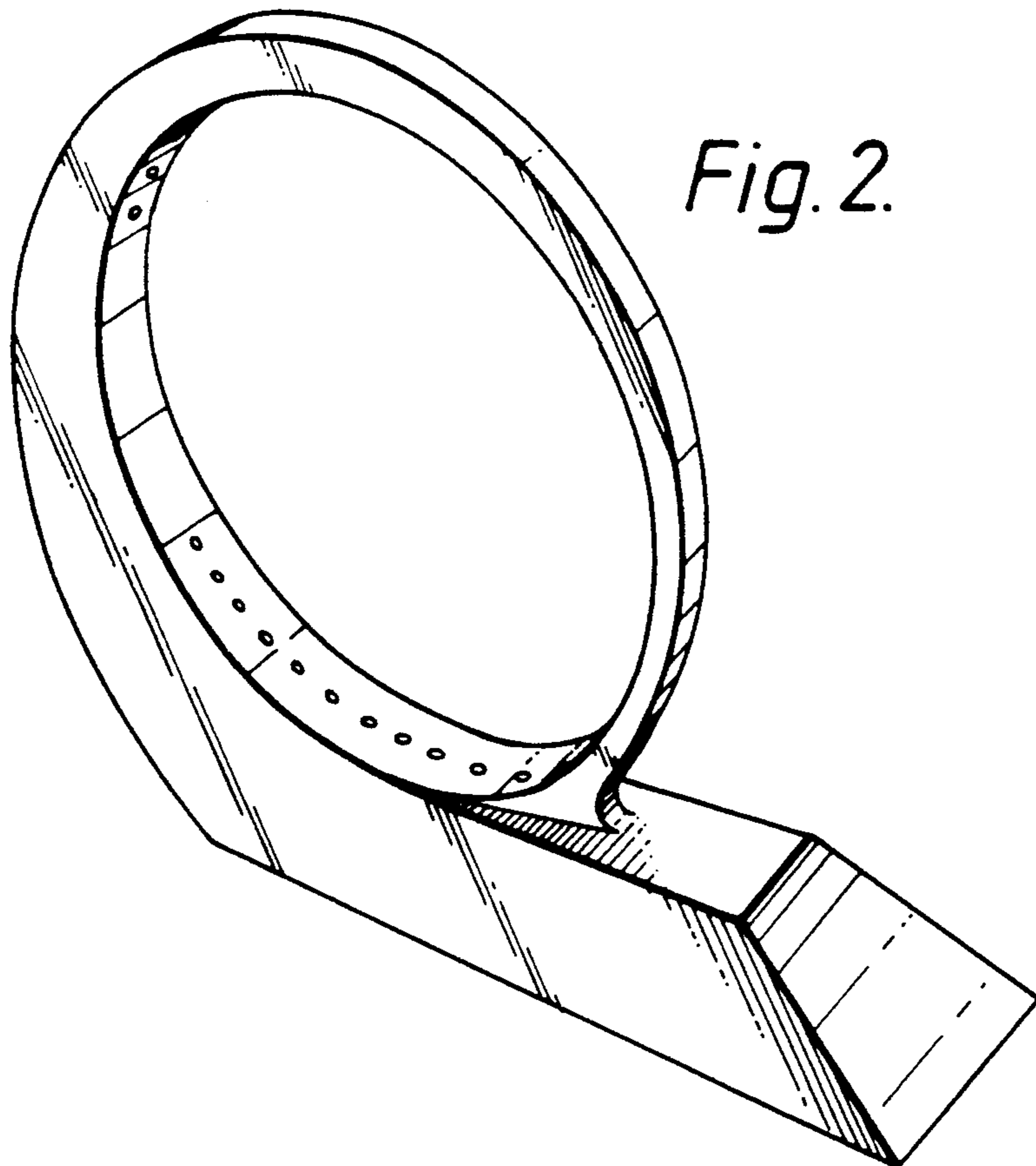


Fig. 3.

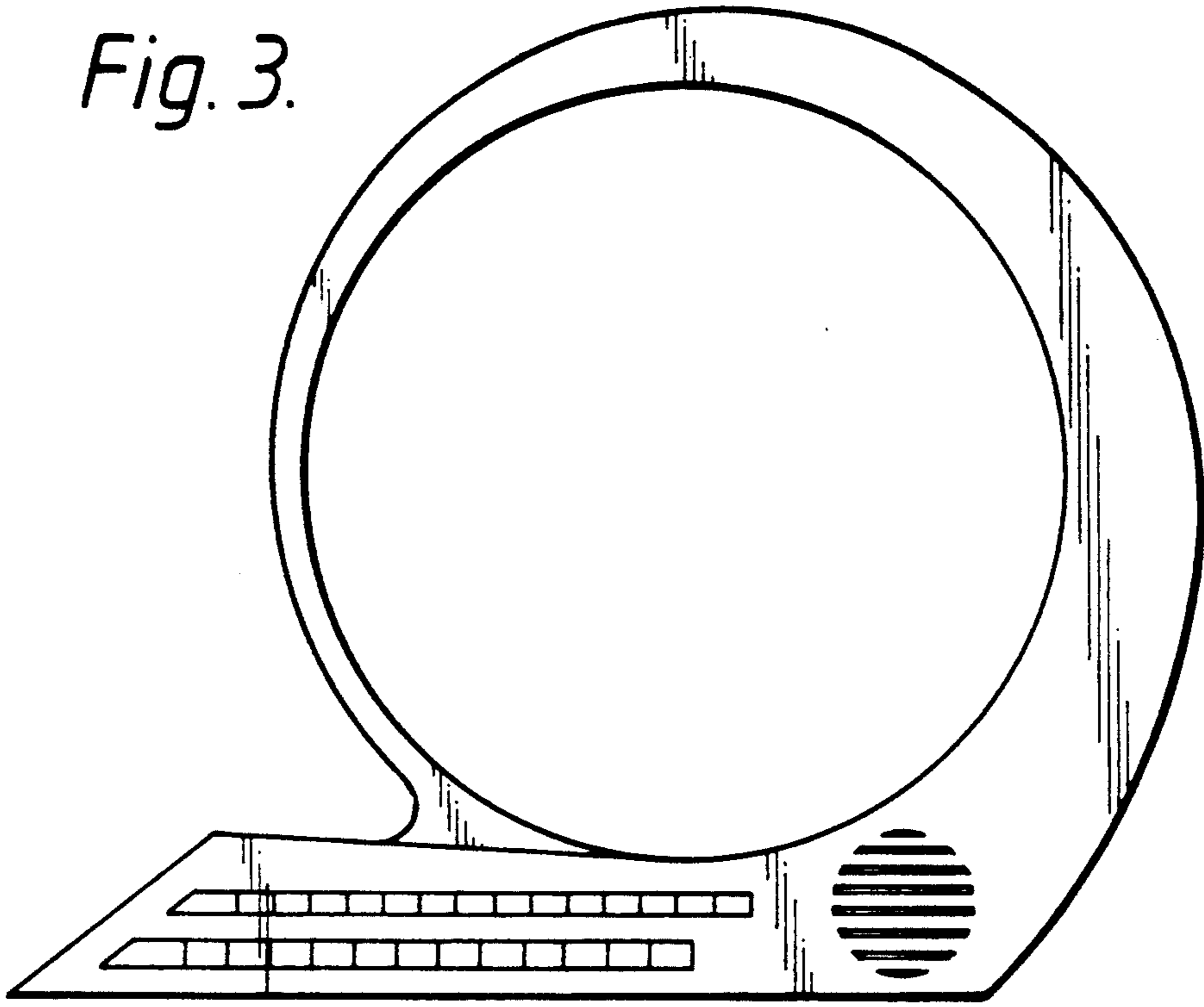


Fig. 4.

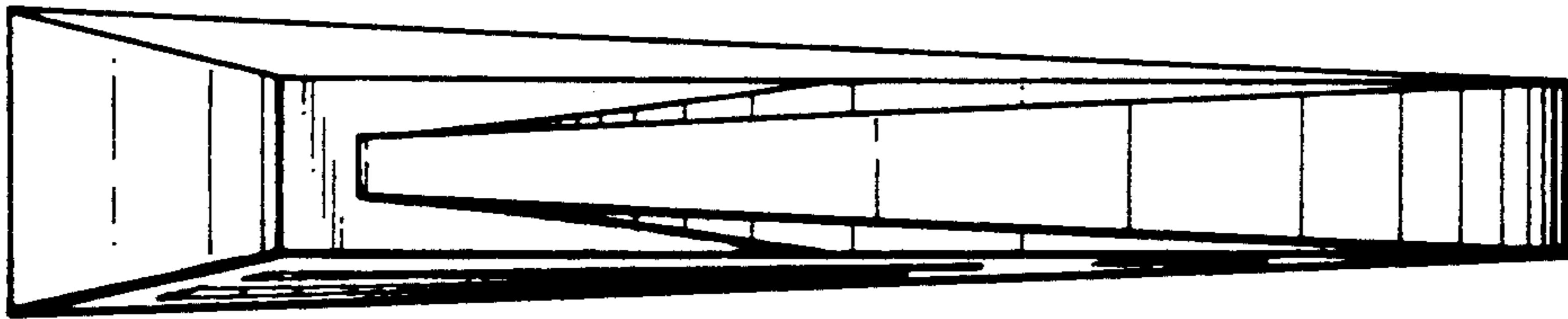


Fig. 5.

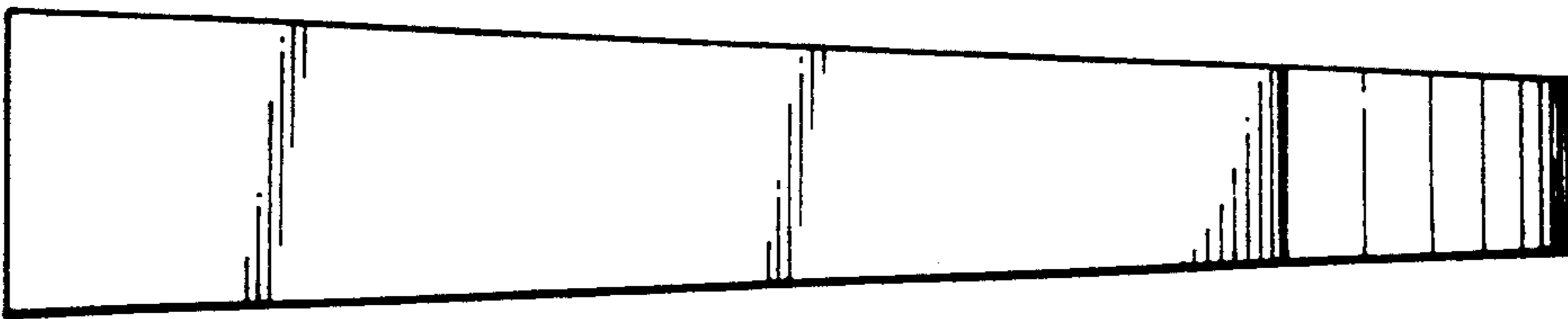


Fig. 6.

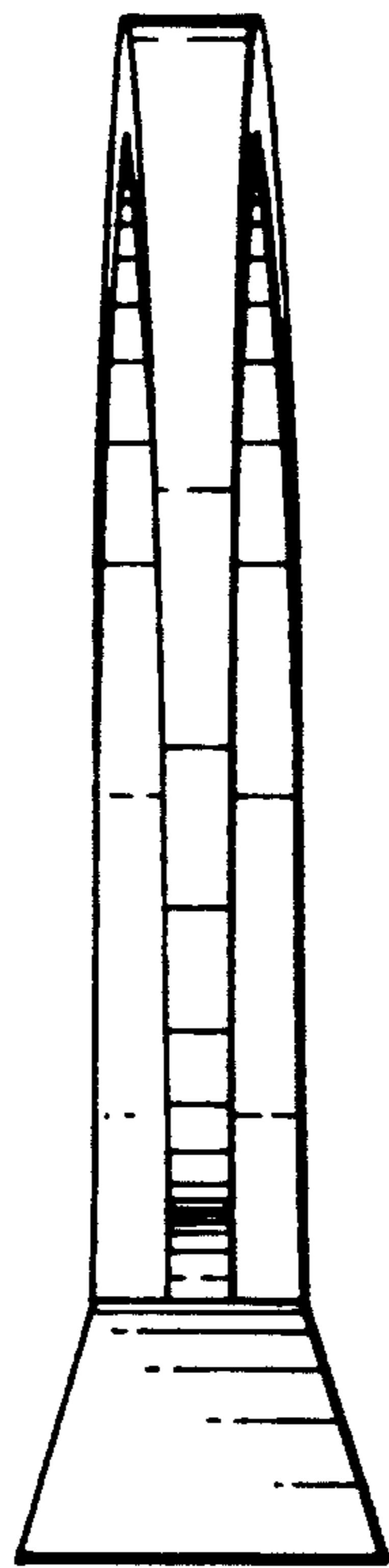


Fig. 7.

