



US00D342537S

**United States Patent** [19]  
**Olson**

[11] **Patent Number: Des. 342,537**

[45] **Date of Patent: \*\* Dec. 21, 1993**

[54] **ADJUSTMENT LEVER FOR ATTACHMENT TO A SCOPE ADJUSTMENT RING**

4,952,041 8/1990 Sandall ..... D22/109  
5,180,875 1/1993 Berry, Jr. et al. .... 33/245

[76] **Inventor: Kevin Olson, Rte. 4, Box 228, Alexandria, Minn. 56308**

**FOREIGN PATENT DOCUMENTS**

3399 12/1862 United Kingdom ..... 33/246

[\*\*] **Term: 14 Years**

*Primary Examiner*—A. Hugo Word  
*Assistant Examiner*—Cathy Anne MacCormac  
*Attorney, Agent, or Firm*—Peterson, Wicks, Nemer & Kamrath

[21] **Appl. No.: 753,673**

[22] **Filed: Sep. 3, 1991**

[52] **U.S. Cl. .... D16/136; D16/132; D22/109; D22/110**

[57] **CLAIM**

[58] **Field of Search .... D16/136, 132; D22/109, D22/110; 42/101, 103; 33/245, 246, 251**

The ornamental design for an adjustment lever for attachment to a scope adjustment ring, as shown and described.

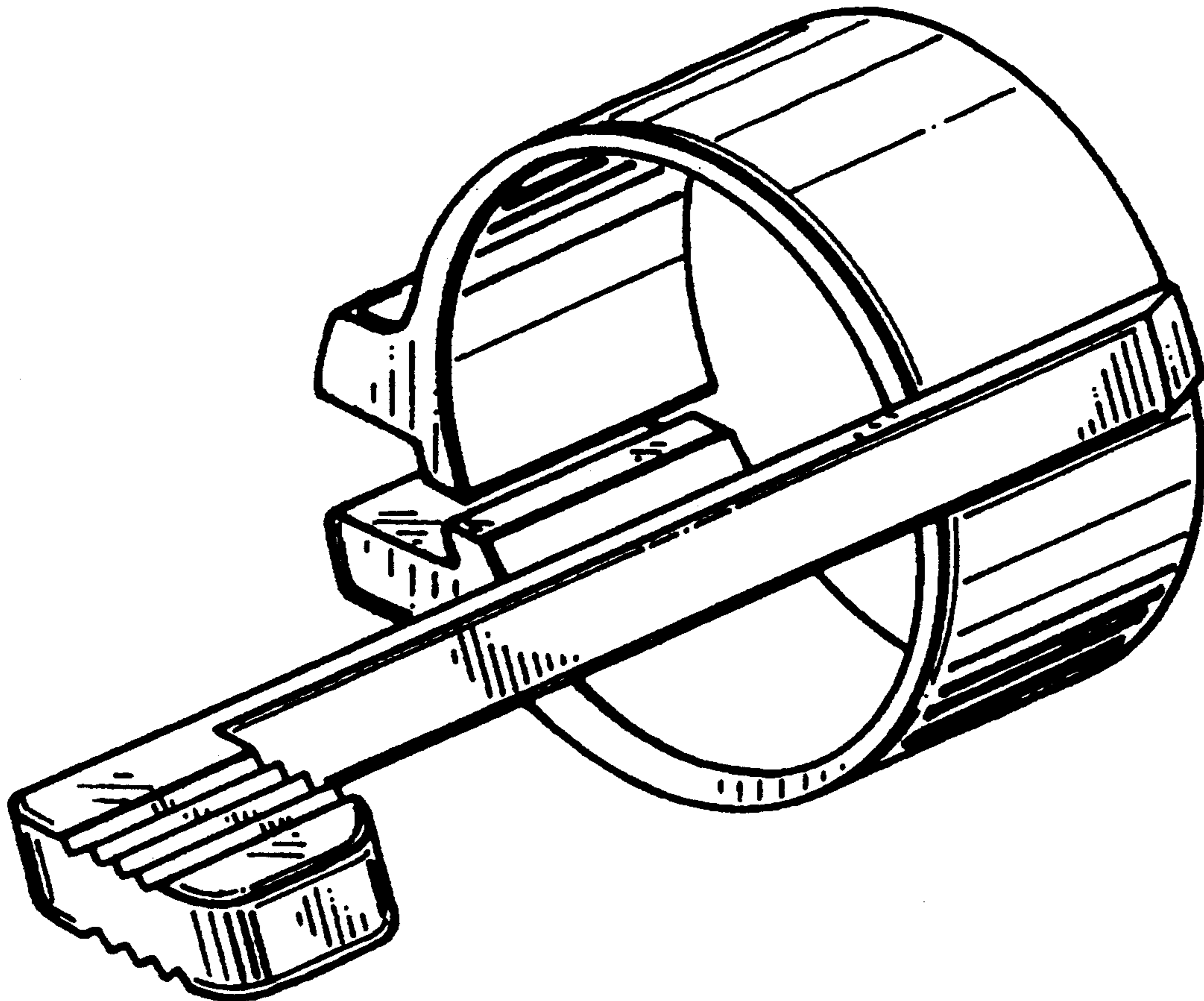
[56] **References Cited**

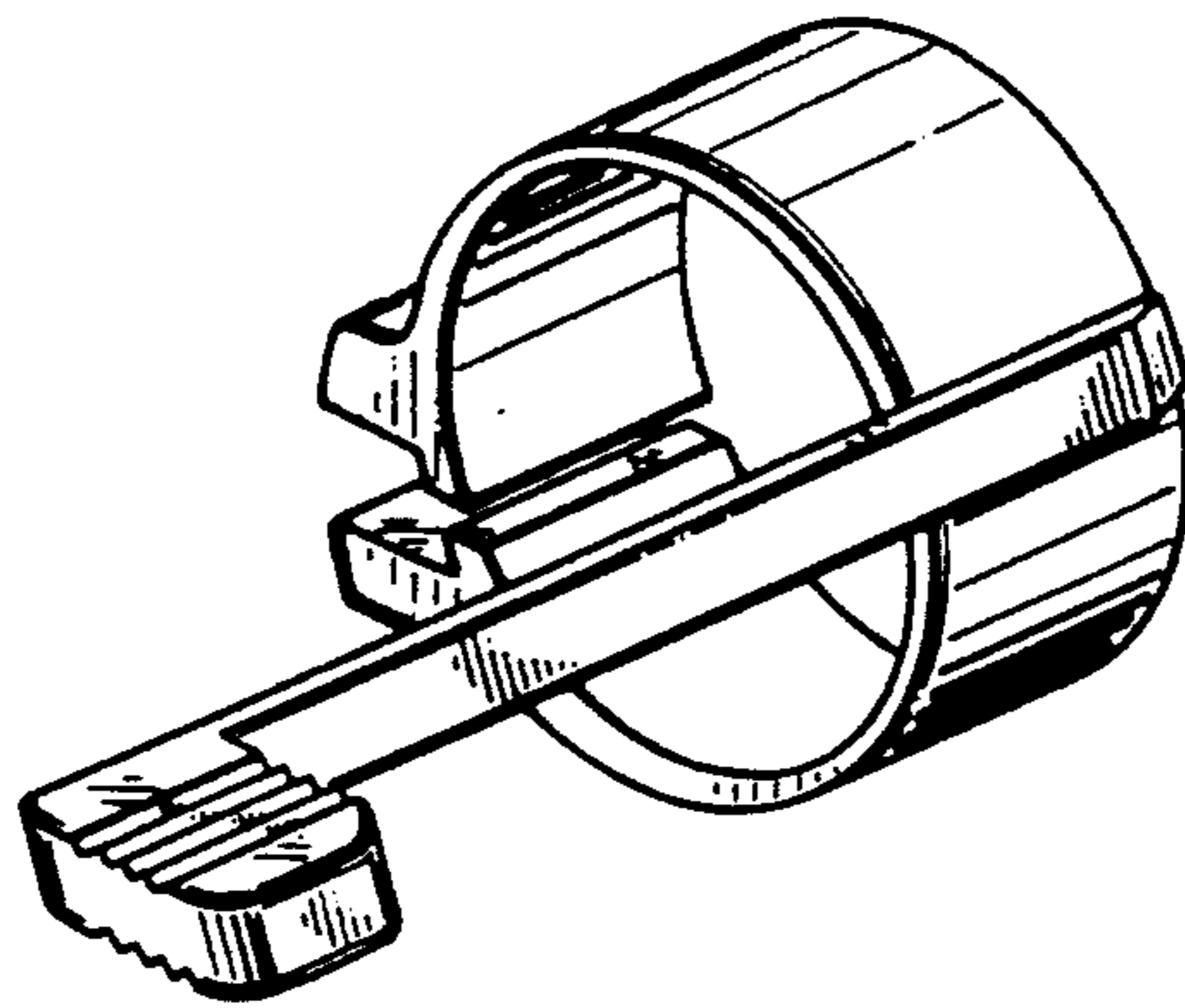
**DESCRIPTION**

**U.S. PATENT DOCUMENTS**

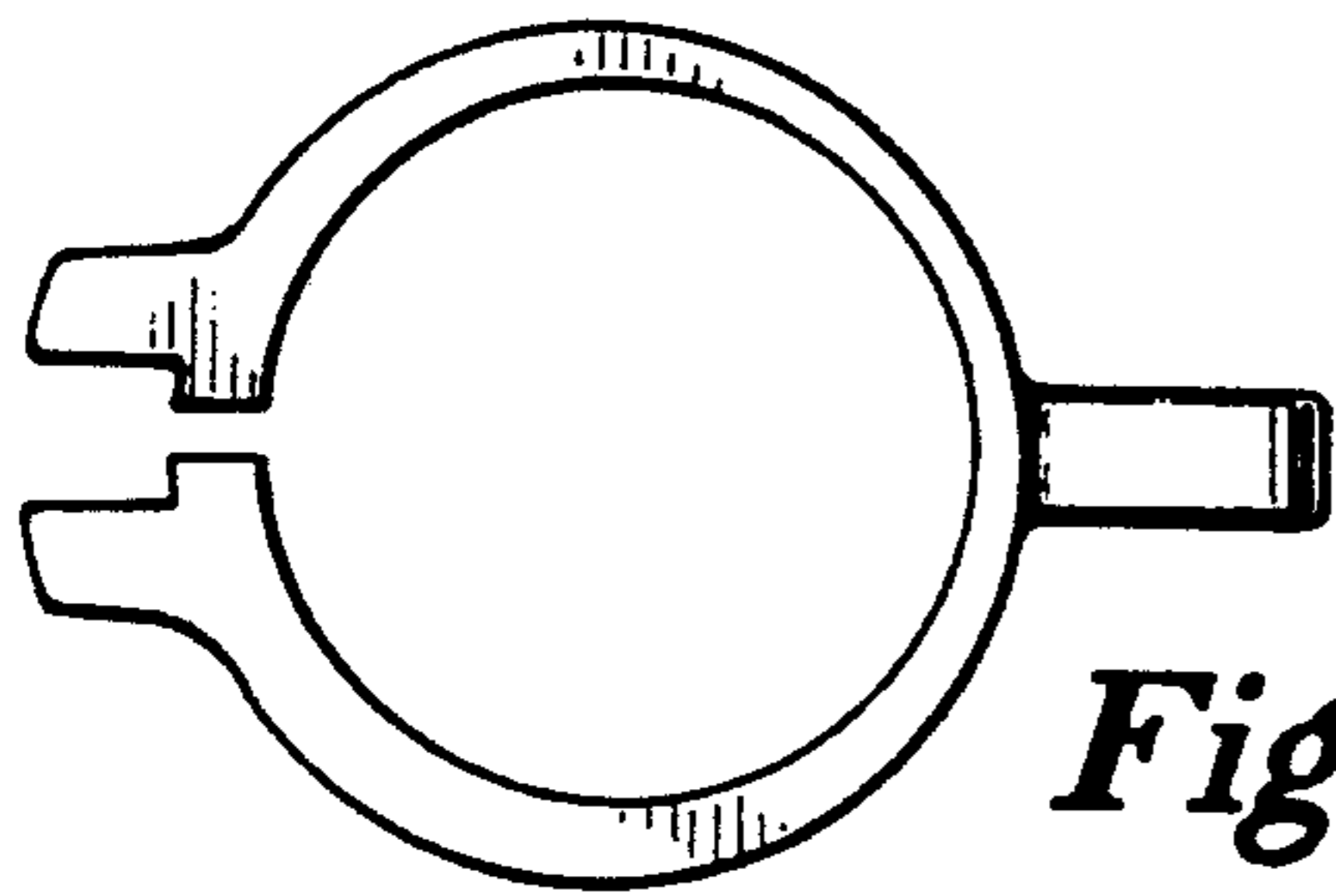
D. 248,309	6/1978	Weast	.....	D22/110
465,088	12/1891	Patchen	.....	33/247
2,355,384	8/1944	Litschert	.....	33/246
2,913,826	11/1959	Petty	.....	33/246
3,492,733	2/1970	Leatherwood	.....	42/101
3,782,822	1/1974	Spence	.....	42/101
4,341,022	7/1982	Santoro	.....	33/245
4,574,508	3/1986	Ross	.....	42/101
4,926,576	5/1990	Maes et al.	.....	42/101

FIG. 1 is a right perspective of an adjustment lever for attachment to a scope adjustment ring embodying my new design;  
FIG. 2 is a front elevation thereof;  
FIG. 3 is a rear elevation thereof;  
FIG. 4 is a top plan thereof, with the bottom plan being a mirror image thereof;  
FIG. 5 is a right side elevation thereof; and,  
FIG. 6 is a left side elevation thereof.

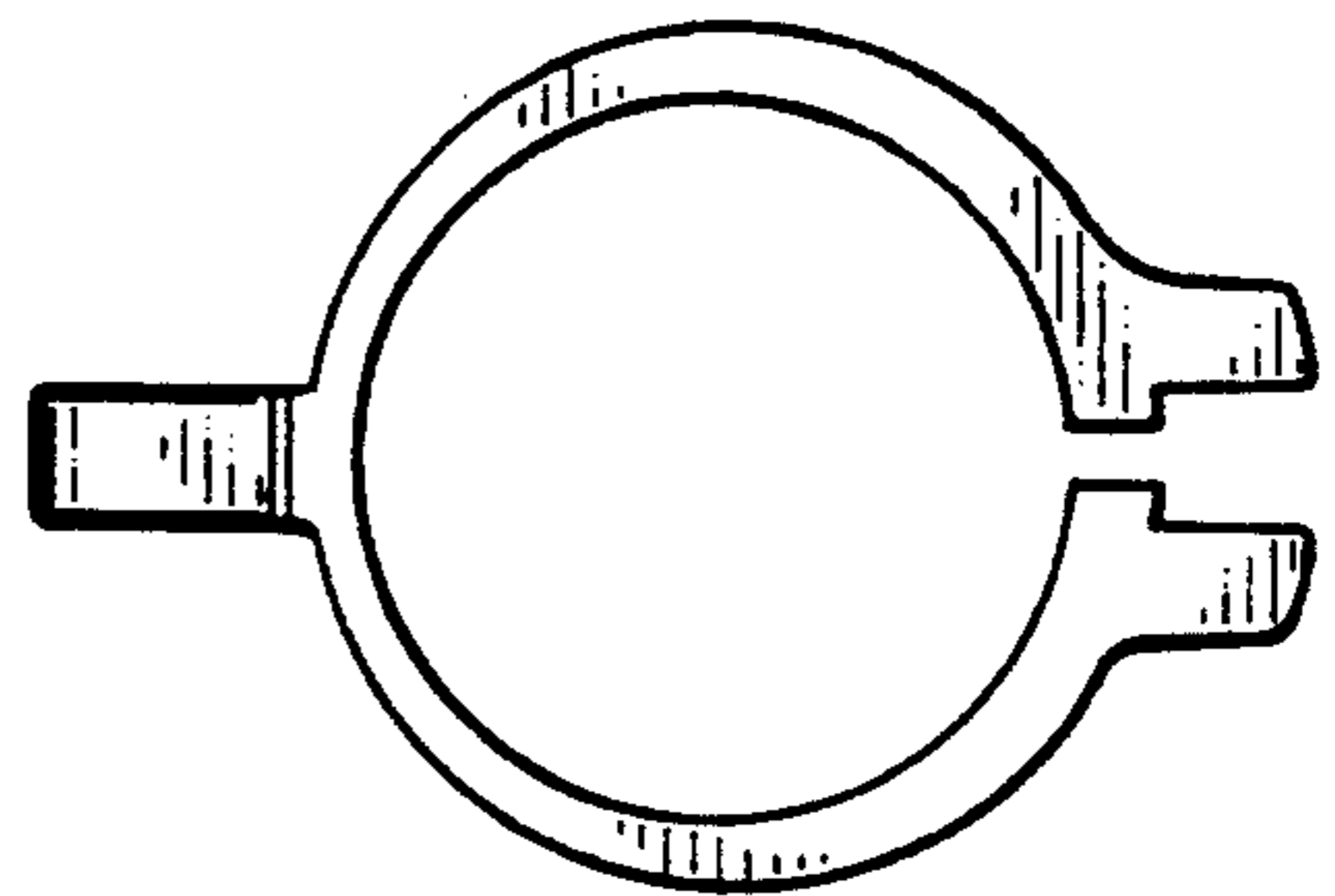




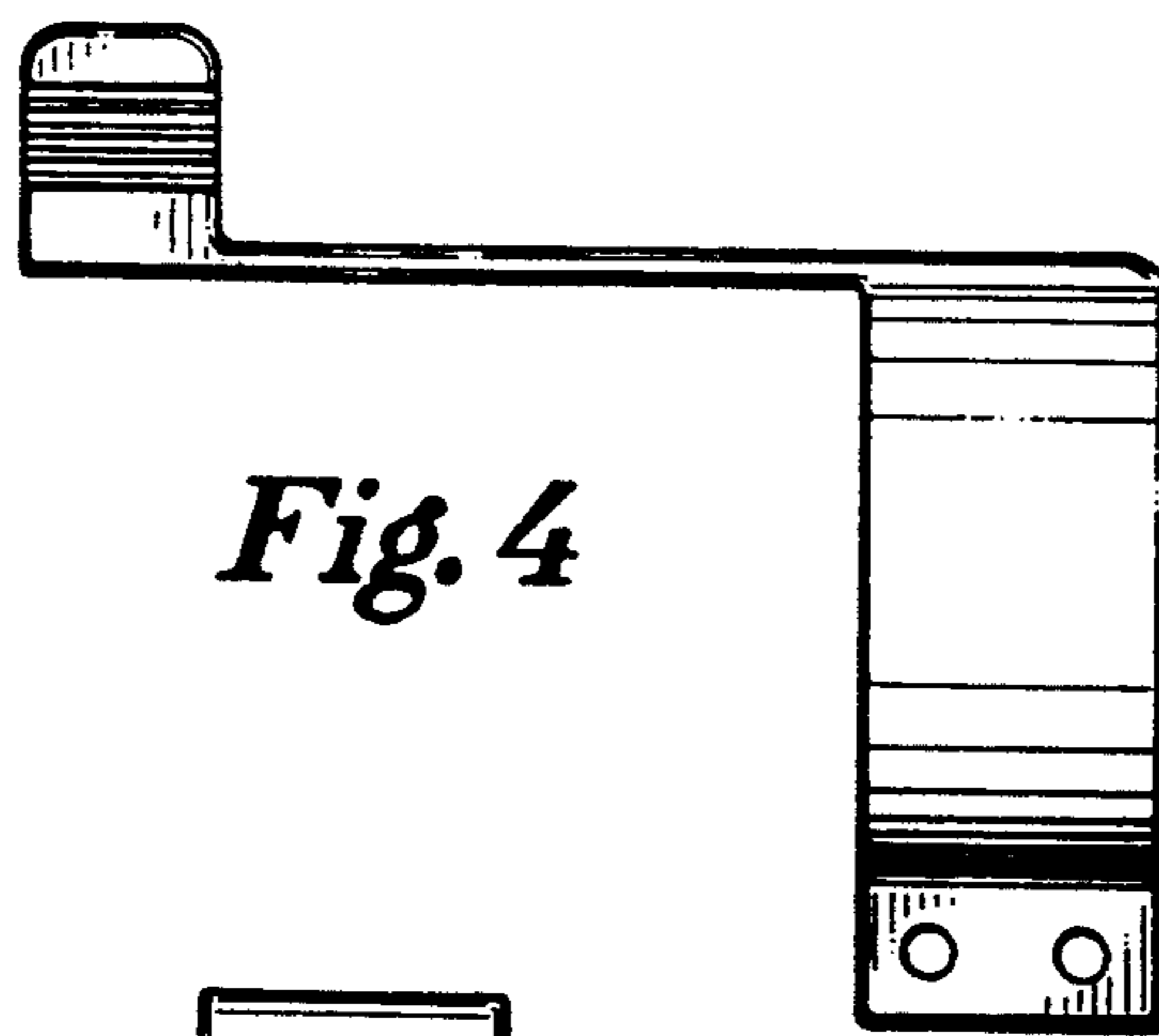
*Fig. 1*



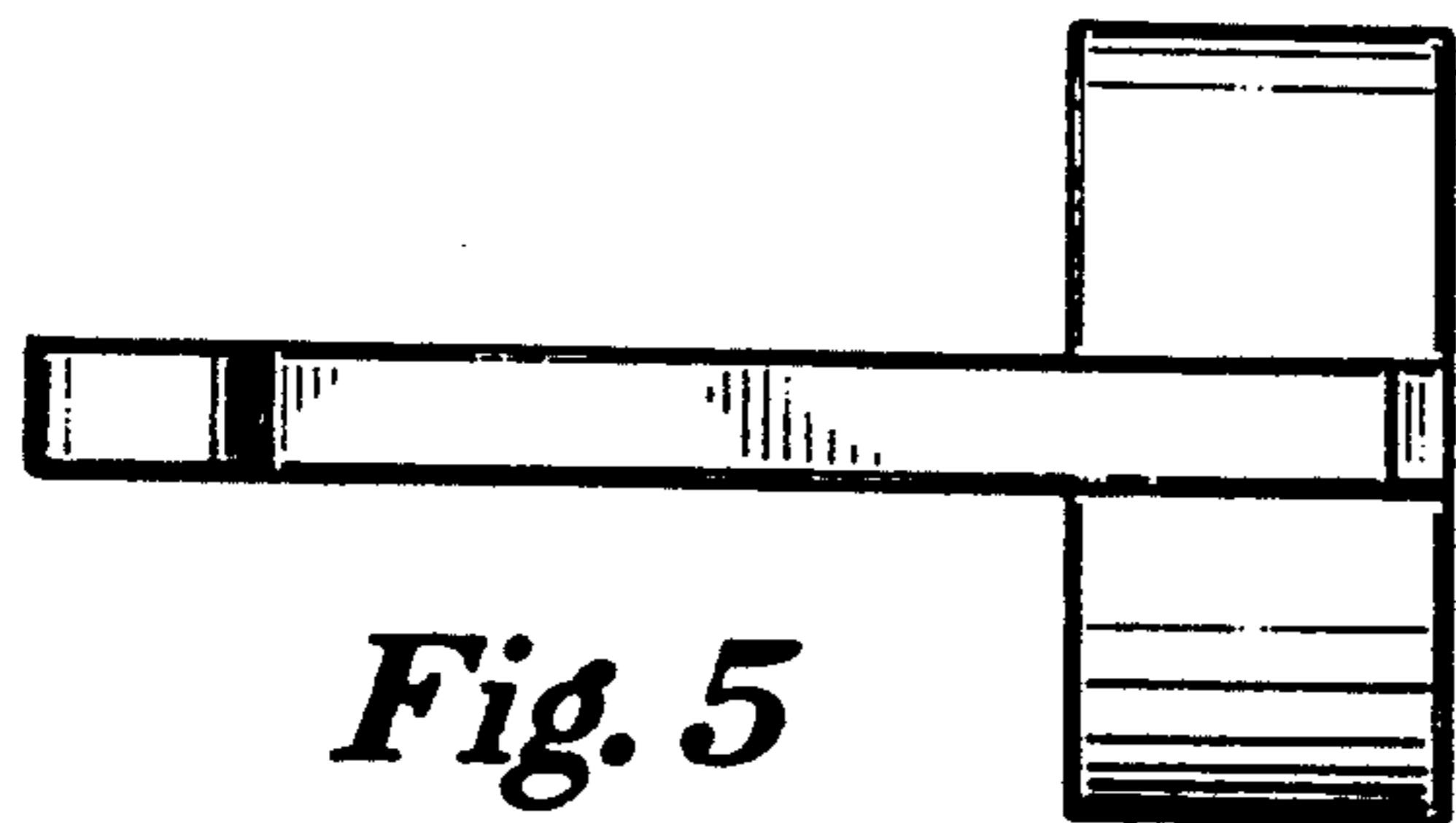
*Fig. 2*



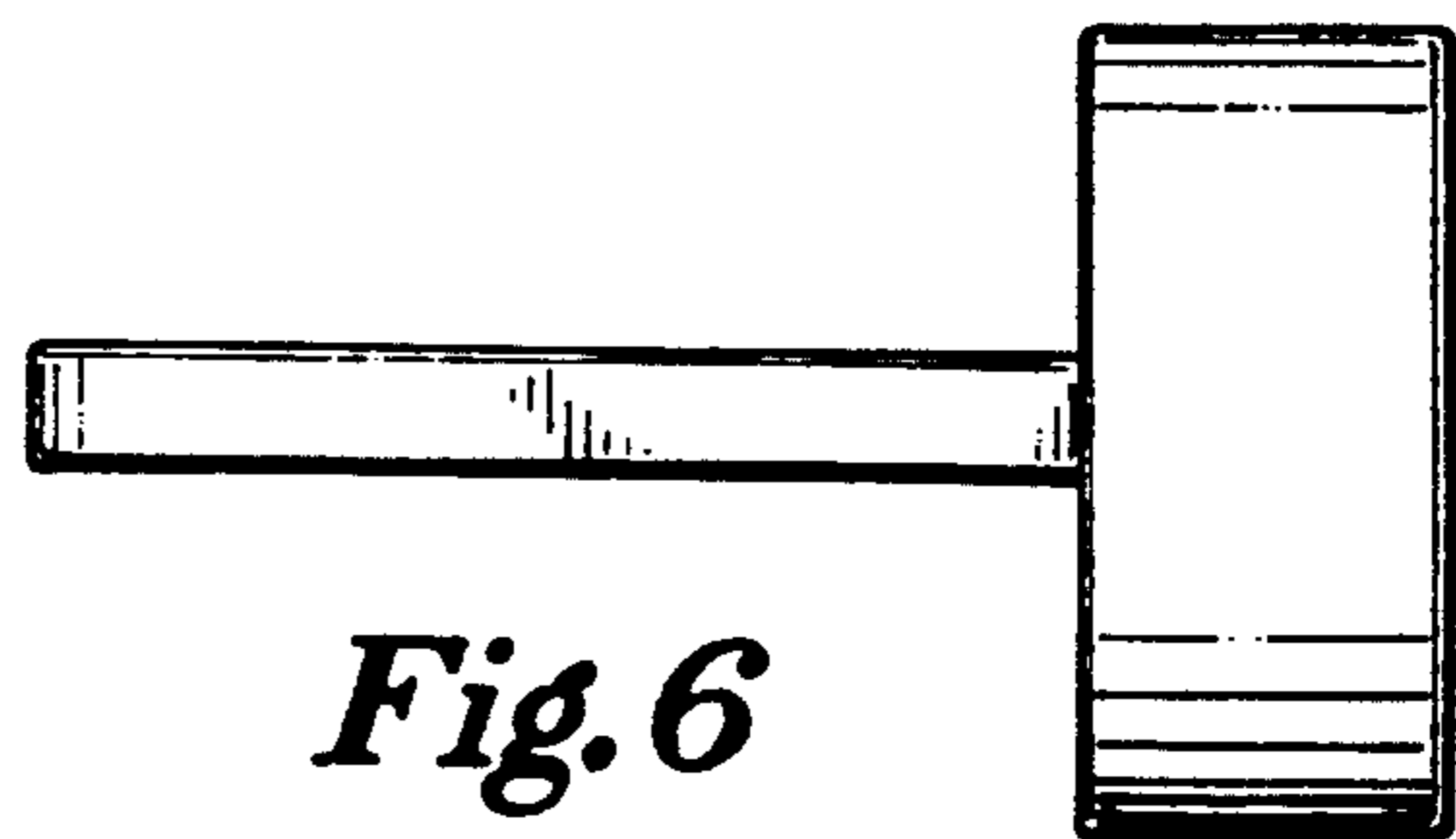
*Fig. 3*



*Fig. 4*



*Fig. 5*



*Fig. 6*