



US00D342533S

**United States Patent** [19]  
**Stridsberg**

[11] **Patent Number: Des. 342,533**

[45] **Date of Patent: \*\* Dec. 21, 1993**

[54] **COMPONENT MOUNTING MACHINE**

[75] **Inventor: Lennart Stridsberg, Enskede, Sweden**

[73] **Assignee: Mydata Automation AB, Bromma, Sweden**

[\*\*] **Term: 14 Years**

[21] **Appl. No.: 609,453**

[22] **Filed: Nov. 2, 1990**

[52] **U.S. Cl. .... D15/199**

[58] **Field of Search ..... D15/199; 29/593, 712, 29/740, 739, 759**

4,670,976 6/1987 Stridsberg et al. .  
4,745,679 5/1988 Shinano et al. .... 29/741  
4,912,839 4/1990 Jackson et al. .... 29/741

*Primary Examiner*—Nelson C. Holtje  
*Assistant Examiner*—Antoine D. Davis  
*Attorney, Agent, or Firm*—James A. Quinton; Frank Frisenda, Jr.

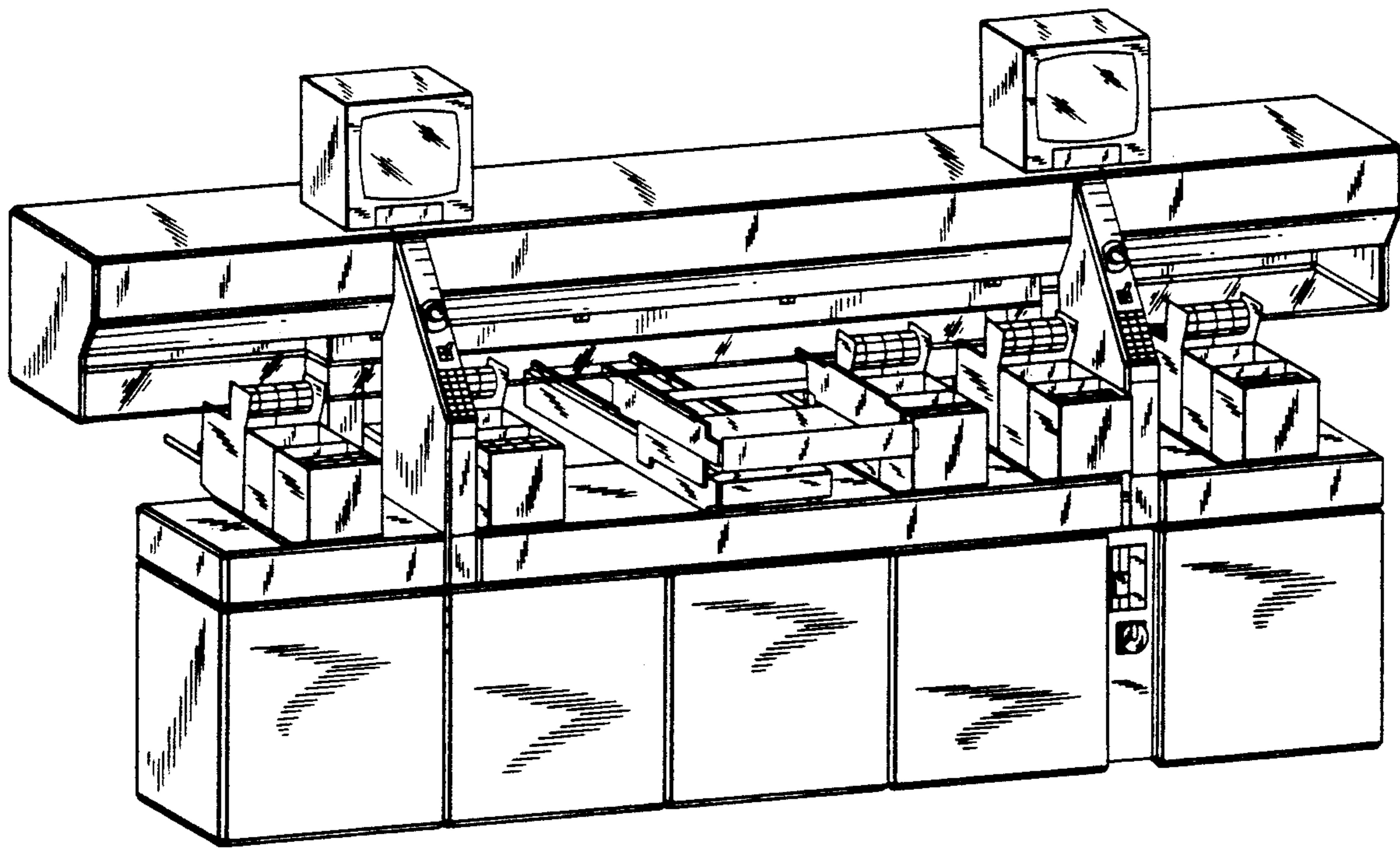
[57] **CLAIM**

The ornamental design for a component mounting machine, as shown.

**DESCRIPTION**

FIG. 1 is a front perspective view of a component mounting machine according to the invention;  
FIG. 2 is a rear perspective view of a component mounting machine according to the invention;  
FIG. 3 is a front view of a component mounting machine according to the invention; and,  
FIG. 4 is a rear view of a component mounting machine according to the invention.

- [56] **References Cited**  
**U.S. PATENT DOCUMENTS**
- D. 222,685 11/1971 Greenlee et al. .... D15/199
  - D. 312,646 12/1990 Spigarelli et al. .... D15/199
  - 4,063,347 12/1977 Woodman, Jr. .... 29/741 XZ
  - 4,615,089 10/1986 Wright et al. .... 29/741 XZ



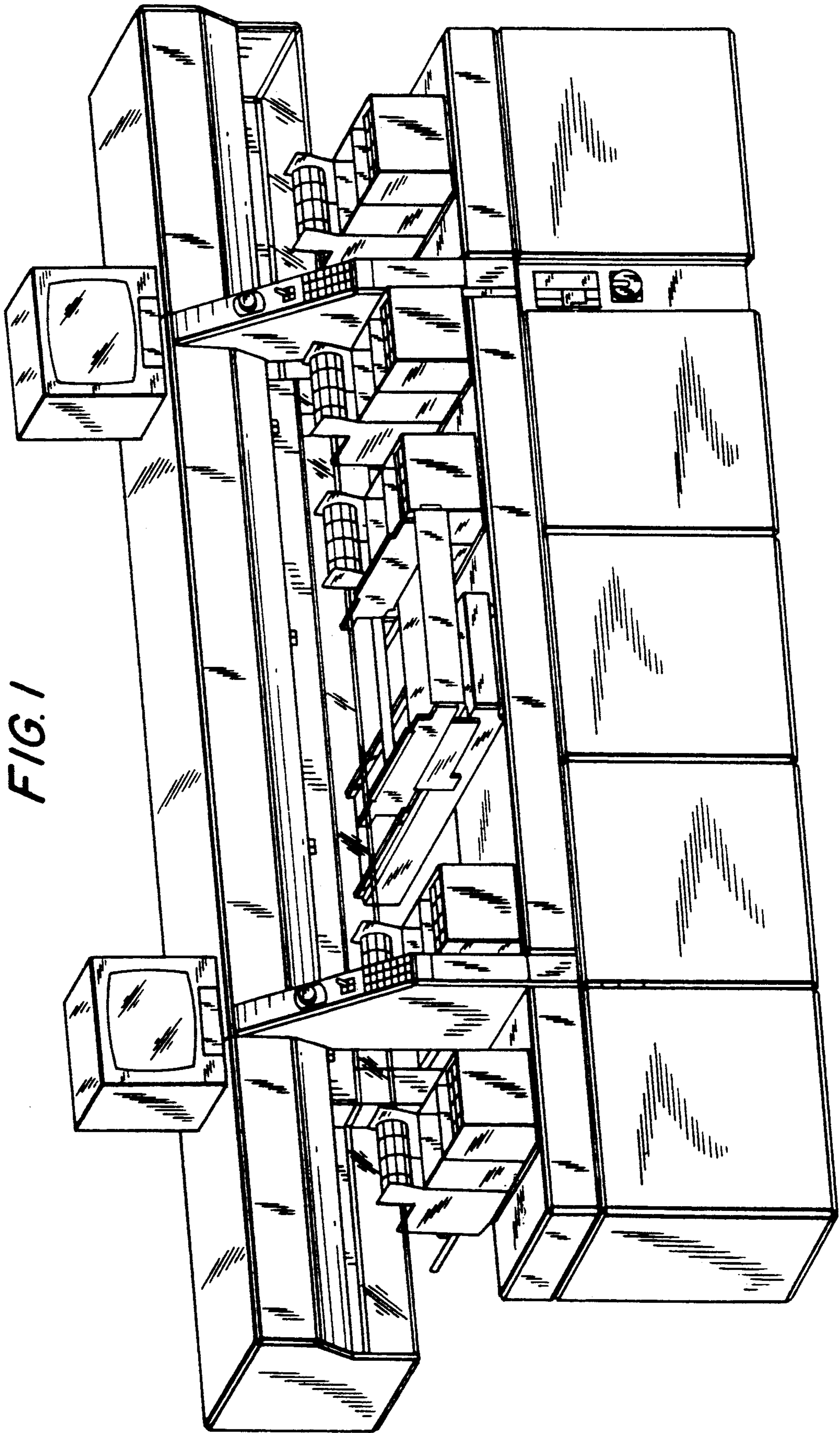


FIG. 1

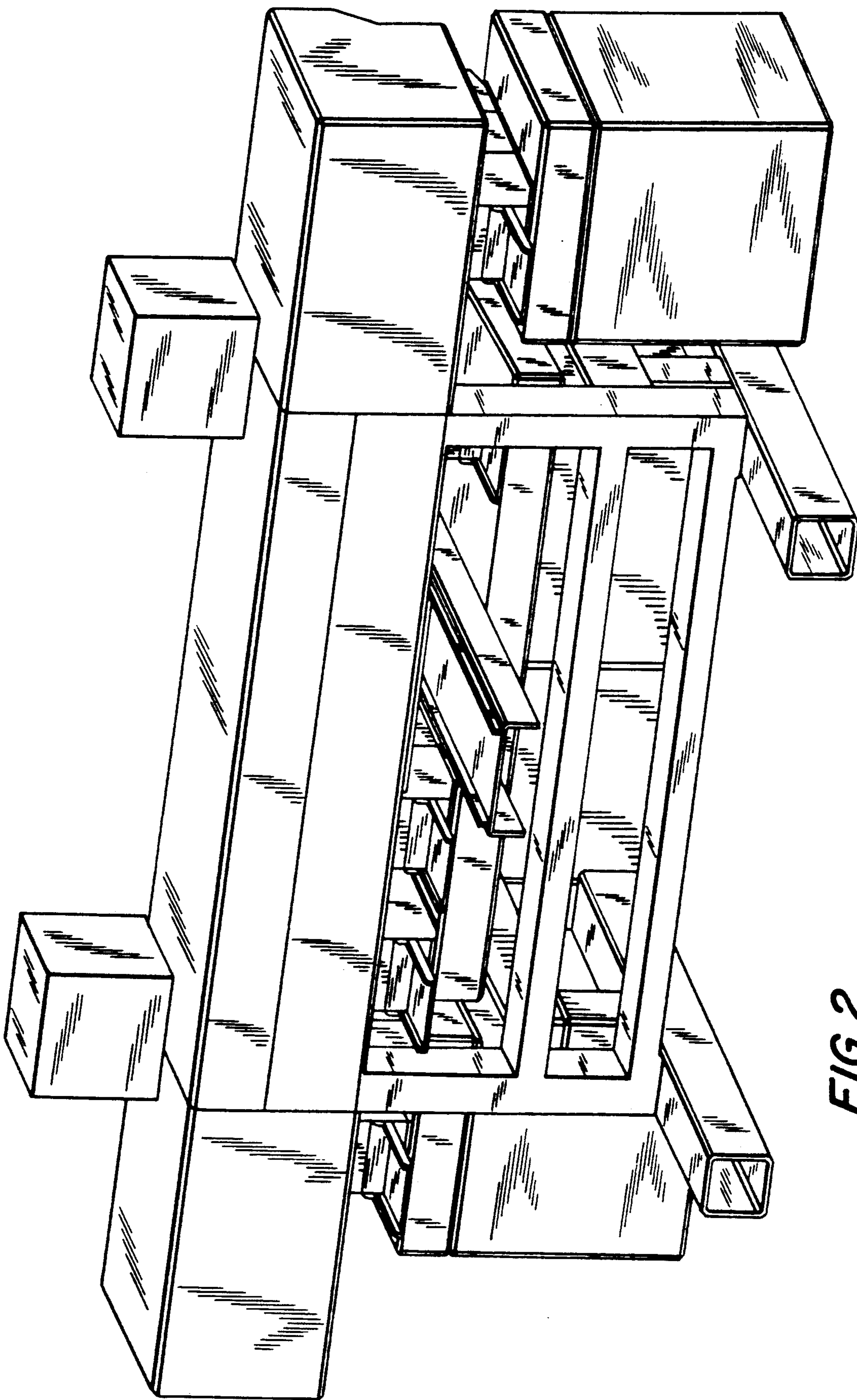


FIG. 2

FIG. 3

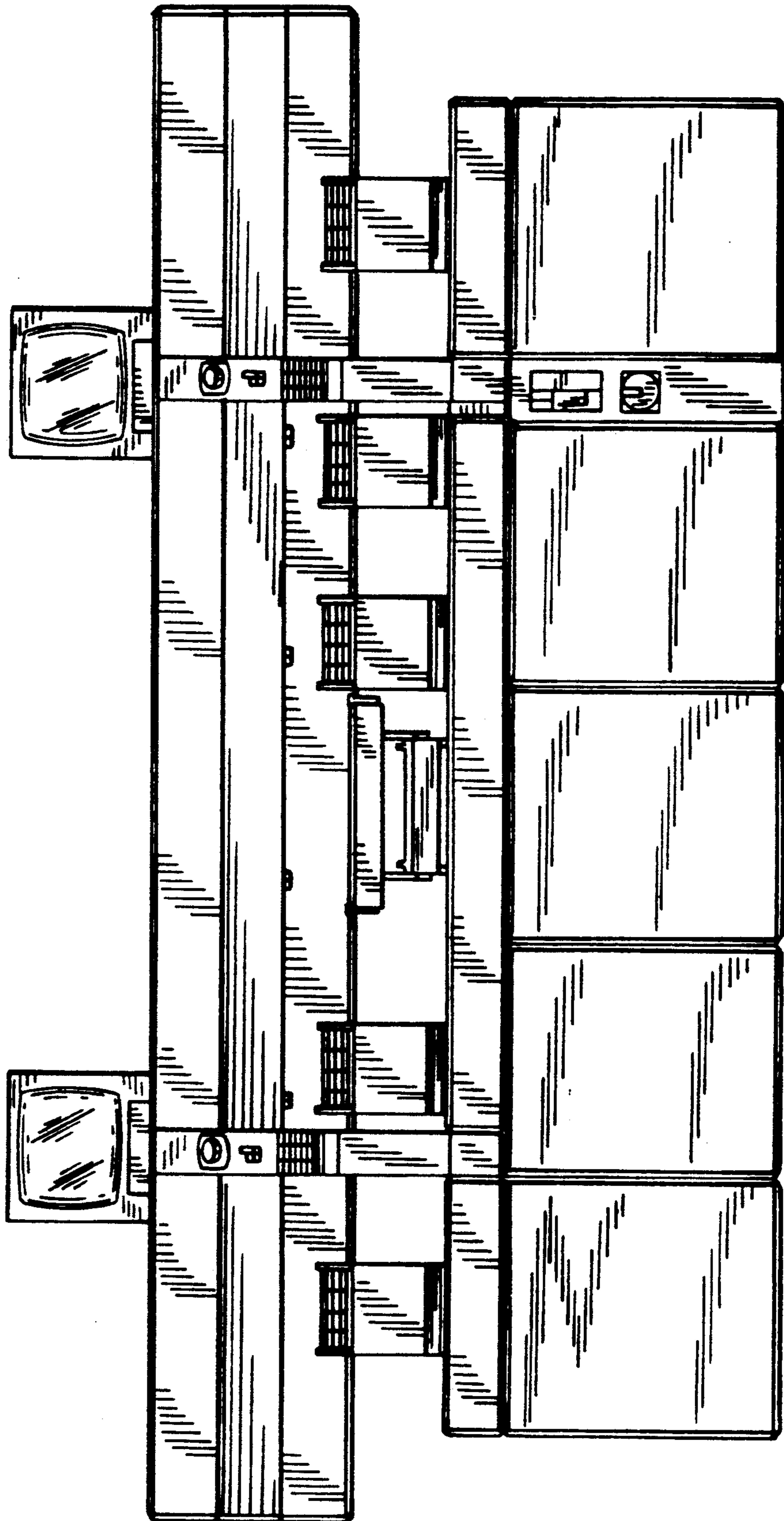


FIG. 4

