



US00D342531S

United States Patent [19]

[11] Patent Number: **Des. 342,531**

Commander et al.

[45] Date of Patent: **** Dec. 21, 1993**

[54] **FLUID CATCH BASIN**

[76] Inventors: **John Commander**, P.O. Box 69011, Odessa, Tex. 79769; **Eddie McPherson**, P.O. Box 4382, Odessa, Tex. 79760

[**] Term: **14 Years**

[21] Appl. No.: **872,127**

[22] Filed: **Apr. 22, 1992**

[52] U.S. Cl. **D15/150**

[58] Field of Search **D15/150-152; 166/75.1, 81, 86, 88, 92-95, 97, 165, 162, 169, 243, 902**

[56] **References Cited**

U.S. PATENT DOCUMENTS

D. 337,774	7/1993	Schillinger	D15/150
376,010	1/1888	Redline	166/75.1 X
948,329	2/1910	Hunting	166/75.1
5,111,879	5/1992	Jozwiak et al.	166/93 X
5,150,751	9/1992	Burton et al.	166/93 X

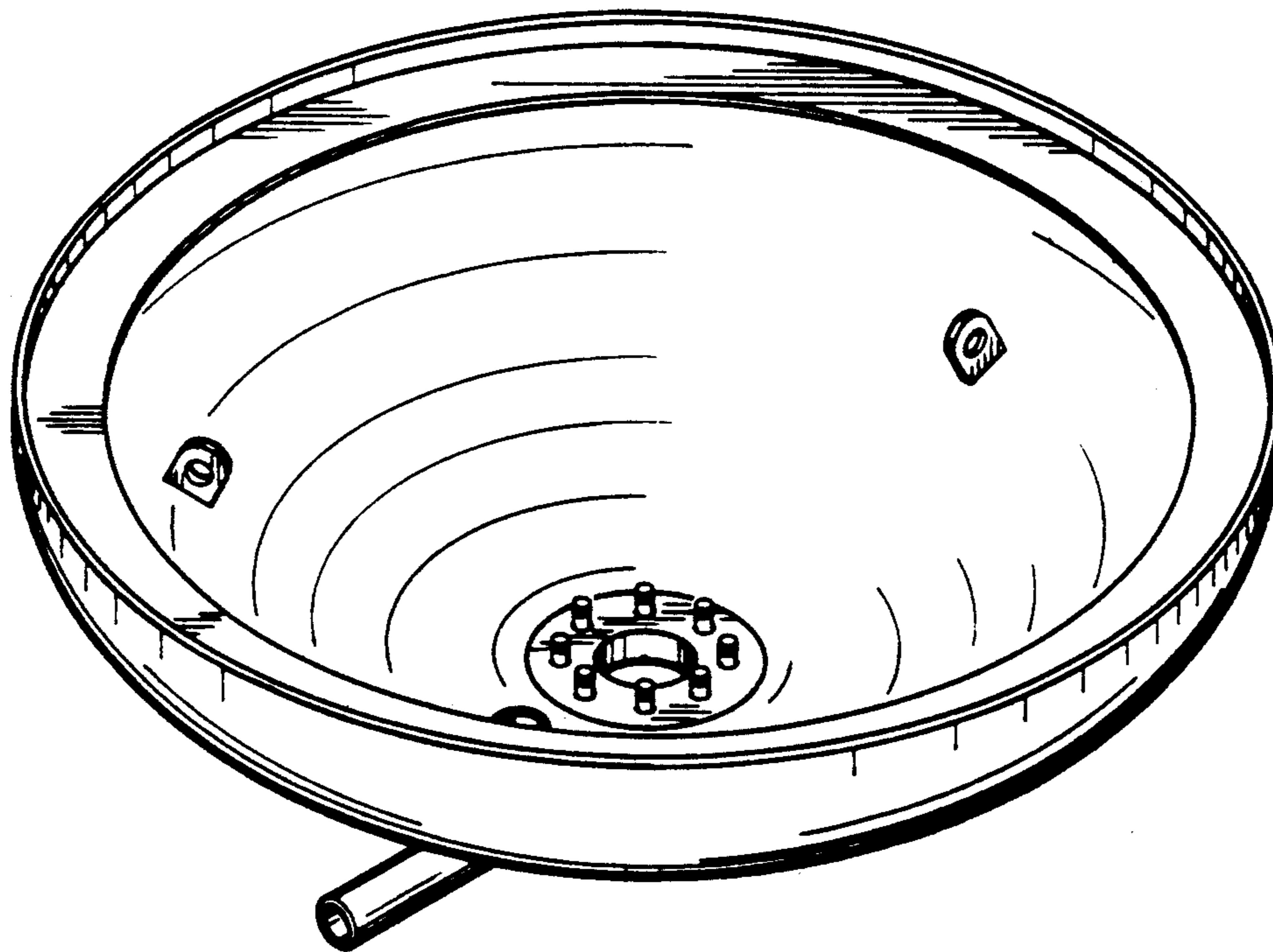
Primary Examiner—Nelson C. Holtje
Assistant Examiner—Antoine D. Davis
Attorney, Agent, or Firm—Robert C. Peterson

[57] **CLAIM**

The ornamental design for a fluid catch basin, as shown and described.

DESCRIPTION

FIG. 1 is a perspective view of the fluid catch basin showing our new design;
FIG. 2 is a top view showing the lift lugs, mounting flange and the flush line opening;
FIG. 3 is a front elevational view showing the bottom of the mounting flange and the drain line;
FIG. 4 is a left-side elevational view in relation to FIG. 3;
FIG. 5 is a bottom view showing the relationship between the mounting flange and the drain line; and,
FIG. 6 is a cross-sectional view taken along the line 6—6 in FIG. 2 illustrating the relationship between the lifting lugs, the mounting flange, the mounting studs and the drain line.



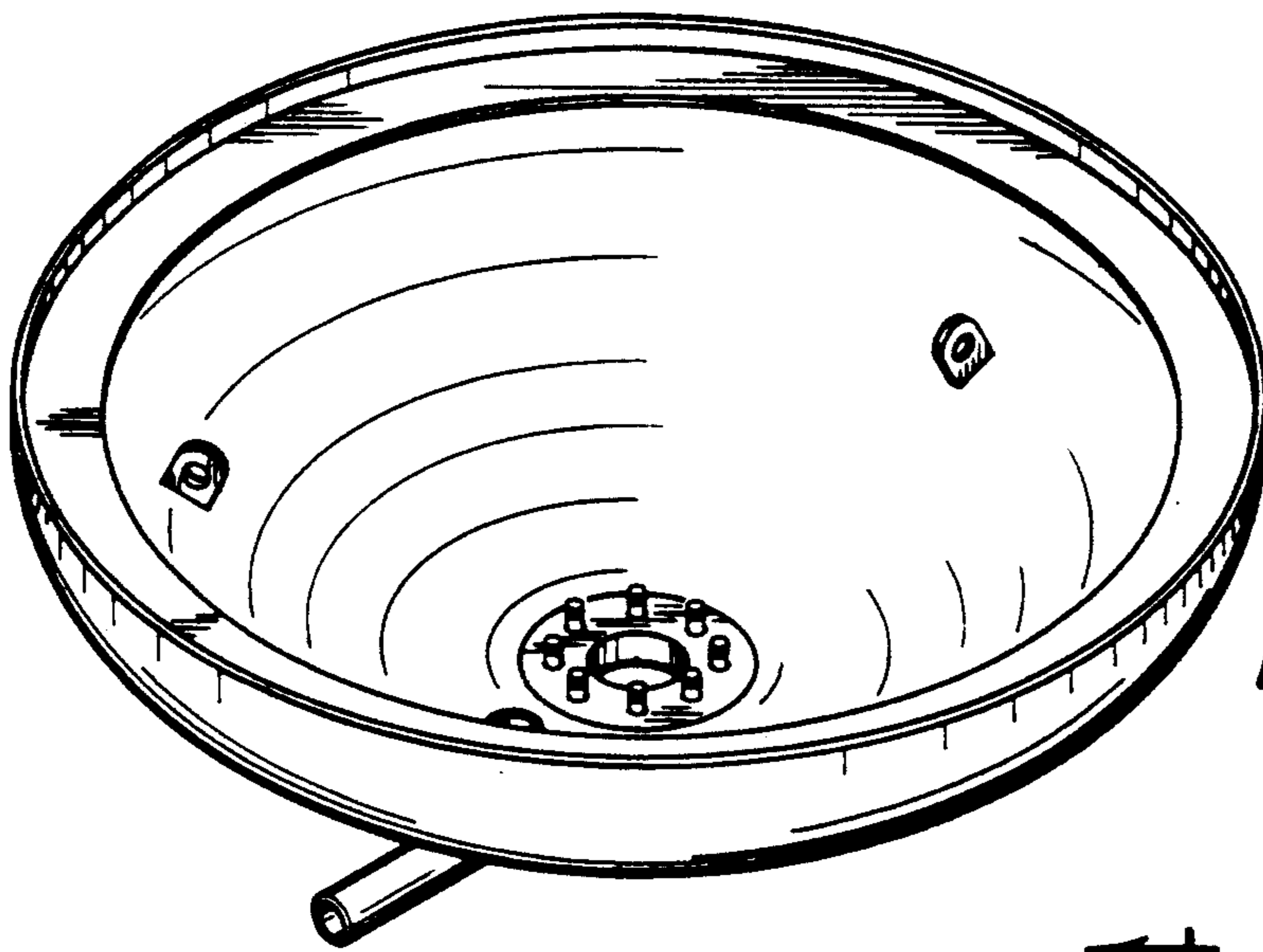


FIG. 1

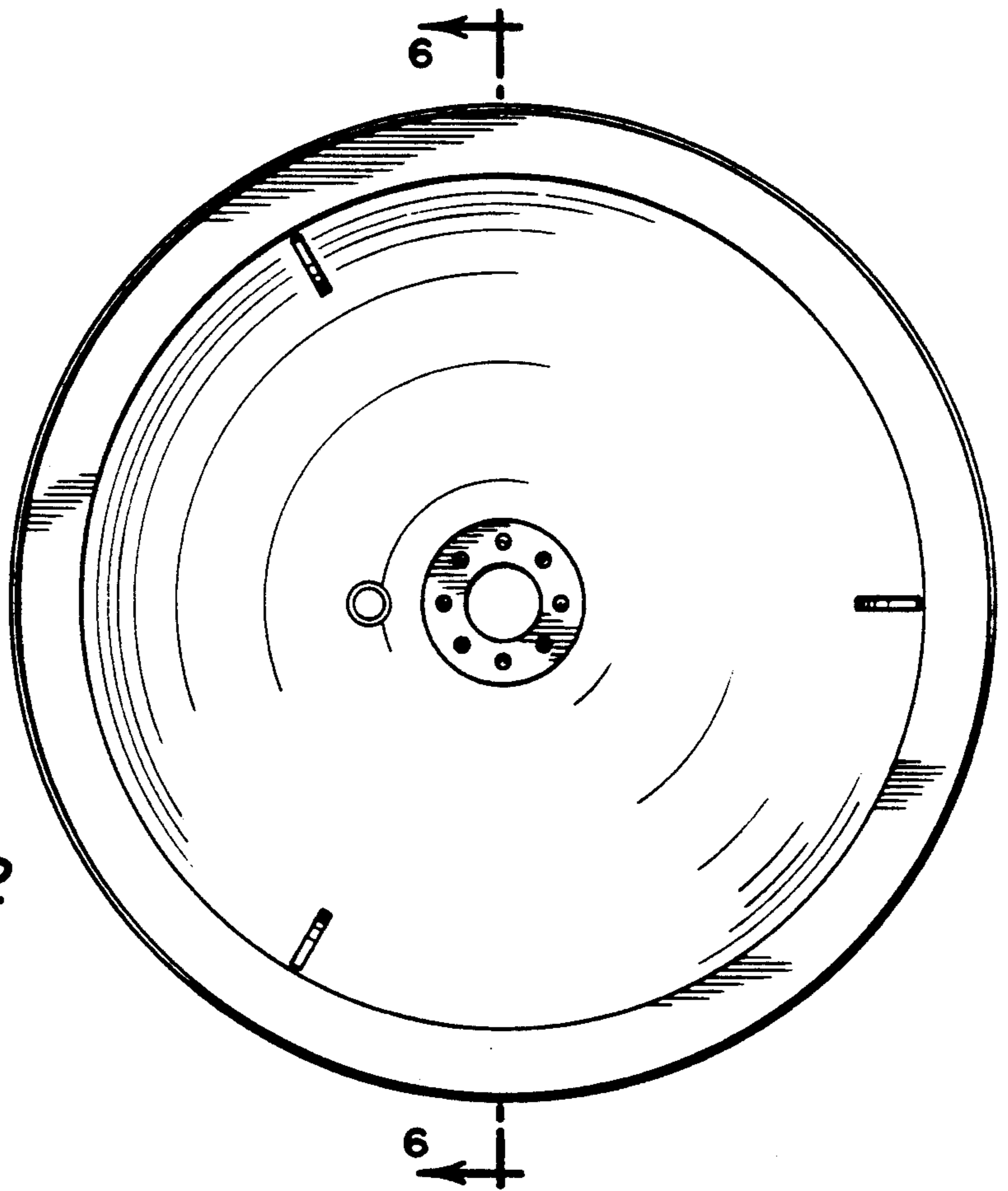


FIG. 2

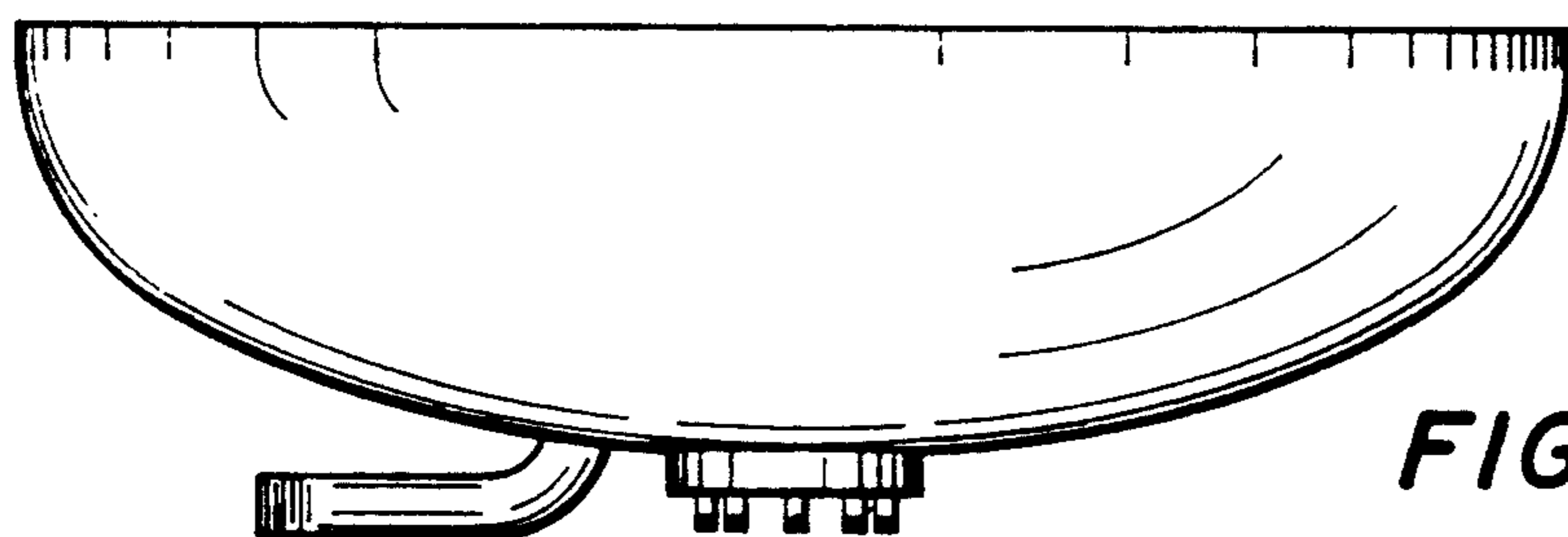


FIG. 3

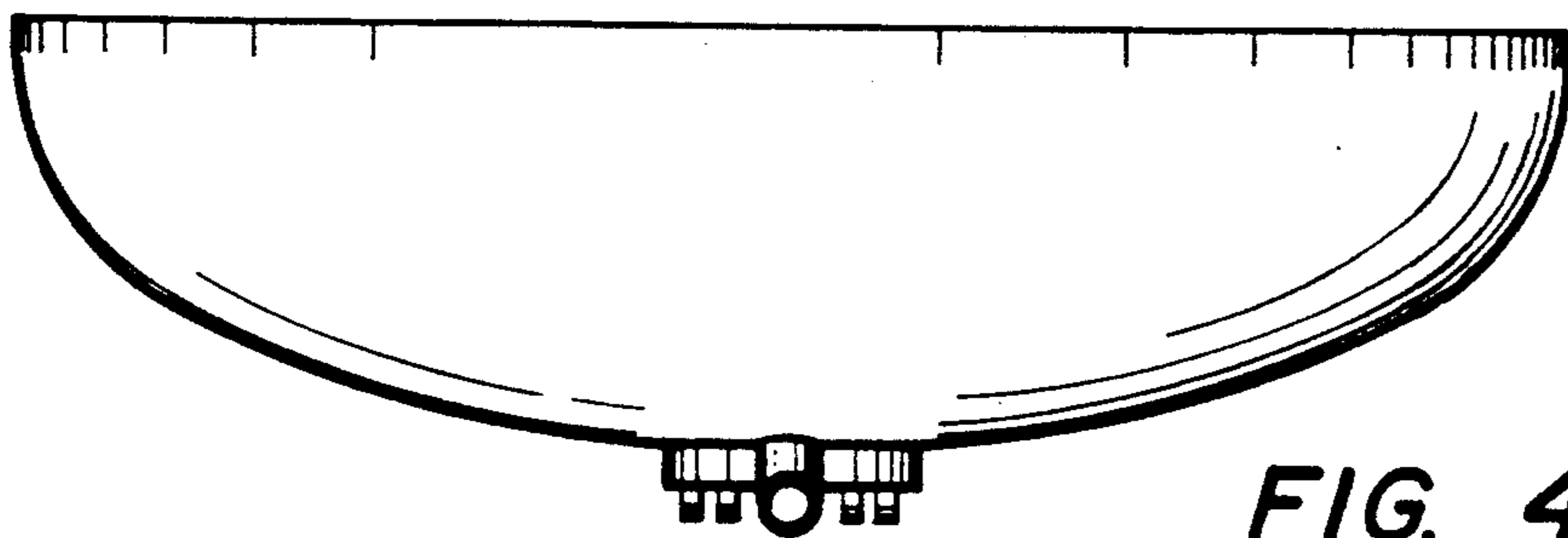


FIG. 4

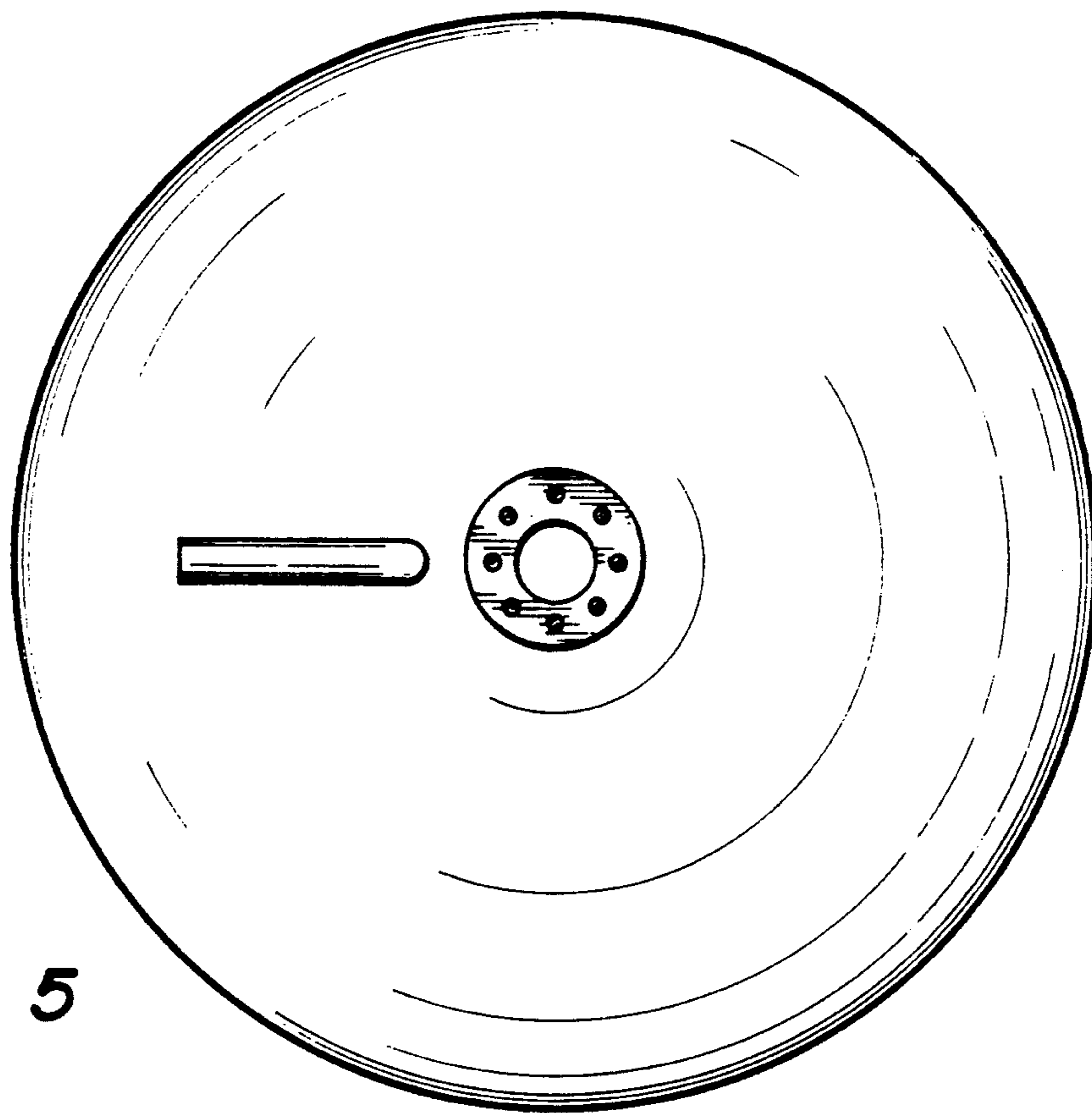


FIG. 5

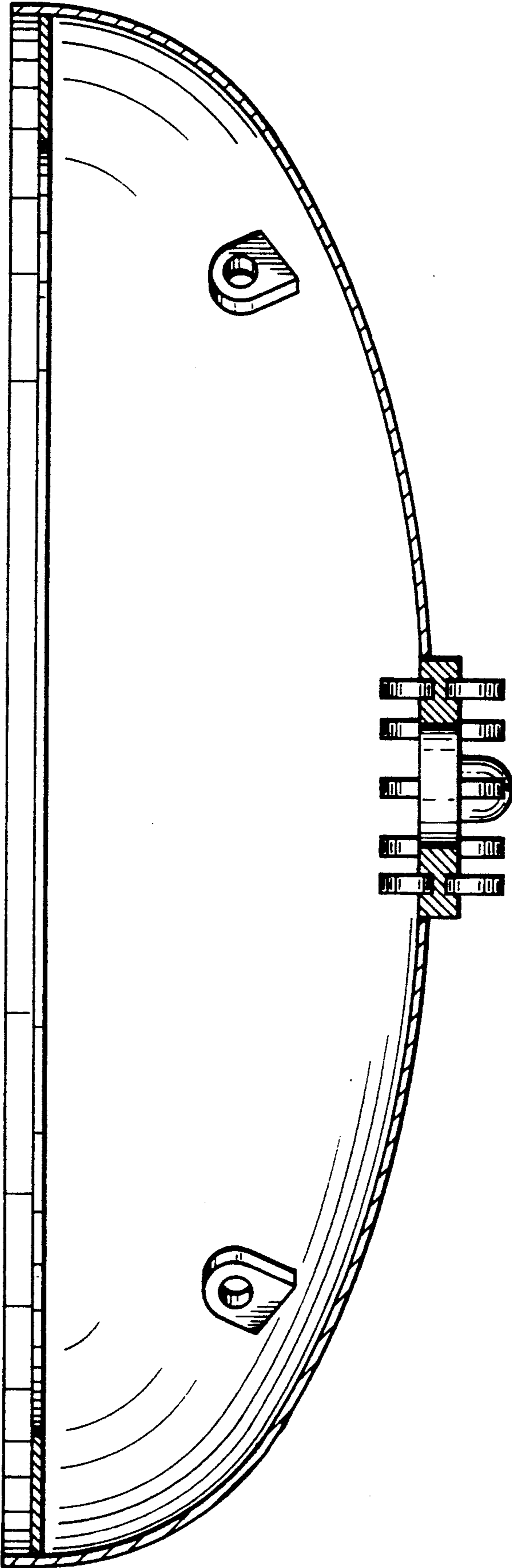


FIG. 6