



US00D342530S

United States Patent [19]

Lissoni et al.

[11] Patent Number: Des. 342,530

[45] Date of Patent: ** Dec. 21, 1993

[54] CASE SEALER

[75] Inventors: **Adelio Lissoni**, Vedano Olona, Italy;
Steven P. Belletire, Wheaton, Ill.;
Lloyd S. Vasilakes, North St. Paul,
Minn.

[73] Assignee: **Minnesota Mining and
Manufacturing Company**, St. Paul,
Minn.

[**] Term: **14 Years**

[21] Appl. No.: **808,296**

[22] Filed: **Dec. 16, 1991**

[52] U.S. Cl. **D15/145**

[58] Field of Search **D15/145; D19/66-69;**
53/136.4, 467, 389.1, 389.2, 389.4, 389.5;
156/355, 485, 465, 583.1, 583.2, 351, 443-459,
534

[56] **References Cited**

U.S. PATENT DOCUMENTS

D. 328,307	7/1992	Belletire et al.	D15/145
3,045,402	7/1962	Keely et al.	53/66
3,748,812	7/1973	Burn	53/66
3,915,786	10/1975	Collett et al.	156/355
3,954,550	5/1976	Patterson	156/486
3,990,933	11/1976	Verch	156/250
4,028,865	6/1977	Loveland et al.	53/76
4,238,269	12/1980	Deering, Jr.	156/465
4,417,607	11/1983	Scholle et al.	53/389.1 X
4,541,888	9/1985	Marchetti	156/468
4,545,176	10/1985	Marchetti	53/76
4,548,022	10/1985	Yaklin	53/415
4,581,876	4/1986	Williams et al.	53/136.4 X
4,585,504	4/1986	Marchetti	156/351
4,633,642	1/1987	Lissoni	53/137
4,640,731	2/1987	Lerner et al.	156/355

4,643,707	2/1987	Marchetti	493/117
4,653,247	3/1987	Marchetti	53/137
4,748,794	6/1988	Marchetti	53/137

FOREIGN PATENT DOCUMENTS

1585335 2/1981 United Kingdom .

OTHER PUBLICATIONS

- Brochure Entitled "3M-Matic 77R Random Case Sealer".
- Brochure Entitled "3M-Matic 22A Adjustable Case Sealer".
- Brochure Entitled "3M-Matic 77A Adjustable Case Sealer".
- Brochure Entitled "3M-Matic 12AF Automatic Adjustable Case Sealer".
- Brochure from Durable Packaging Corp. "RM-3, RM3-FC & RM3-FCS Uniform Case Sealers".
- Brochure from Loveshaw "Little David".
- Brochure from Comarme "GEM F 50".

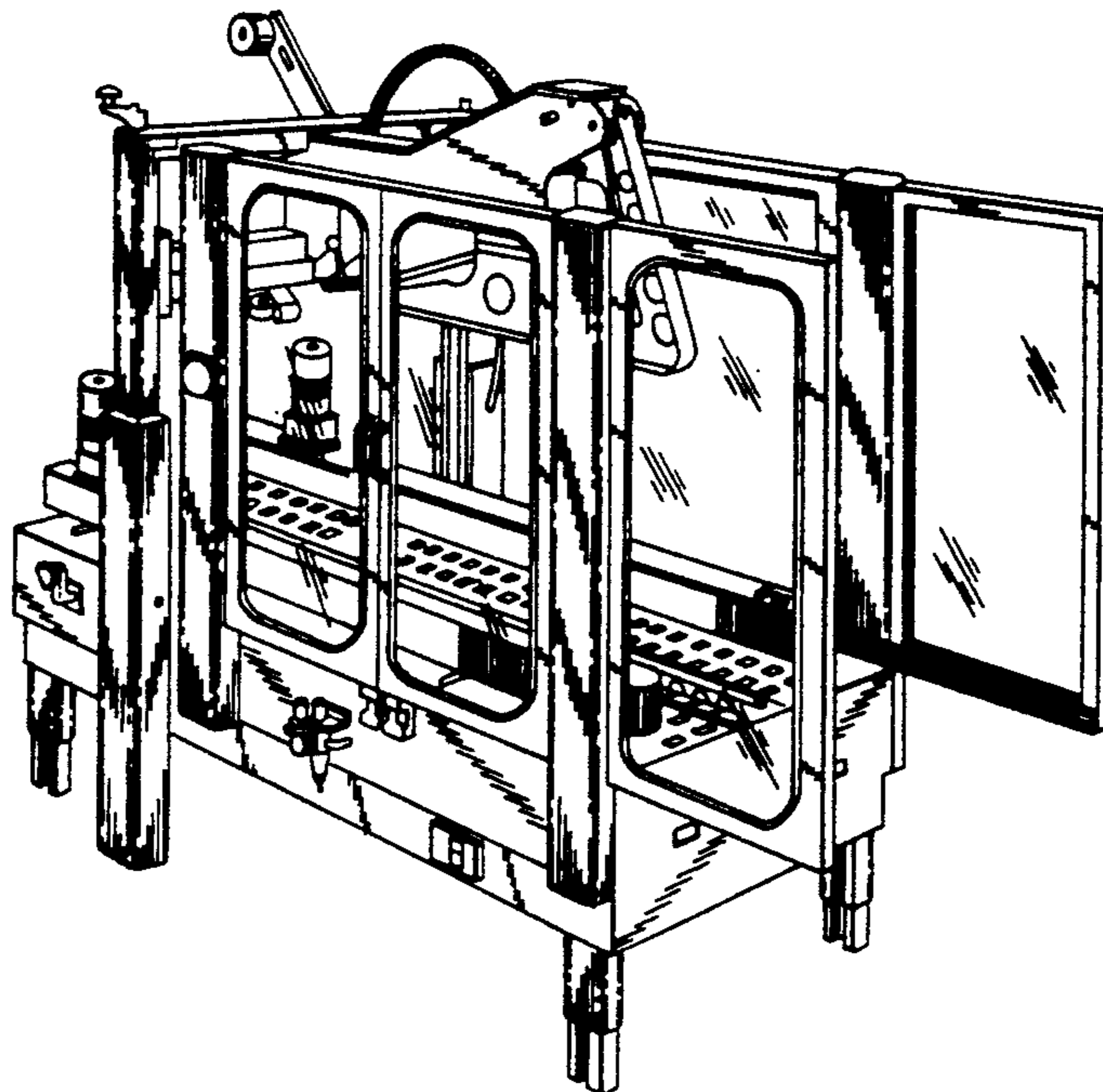
Primary Examiner—Alan P. Douglas
Assistant Examiner—Antoine D. Davis
Attorney, Agent, or Firm—Gary L. Griswold; Walter N. Kirn; Mark W. Binder

[57] **CLAIM**

The ornamental design for a case sealer, as shown.

DESCRIPTION

FIG. 1 is a perspective view of a case sealer showing our new design;
FIG. 2 is a right side elevational view thereof;
FIG. 3 is a left side elevational view thereof;
FIG. 4 is a top plan view thereof;
FIG. 5 is a bottom view thereof;
FIG. 6 is a rear elevational view thereof; and,
FIG. 7 is a front elevational view thereof.



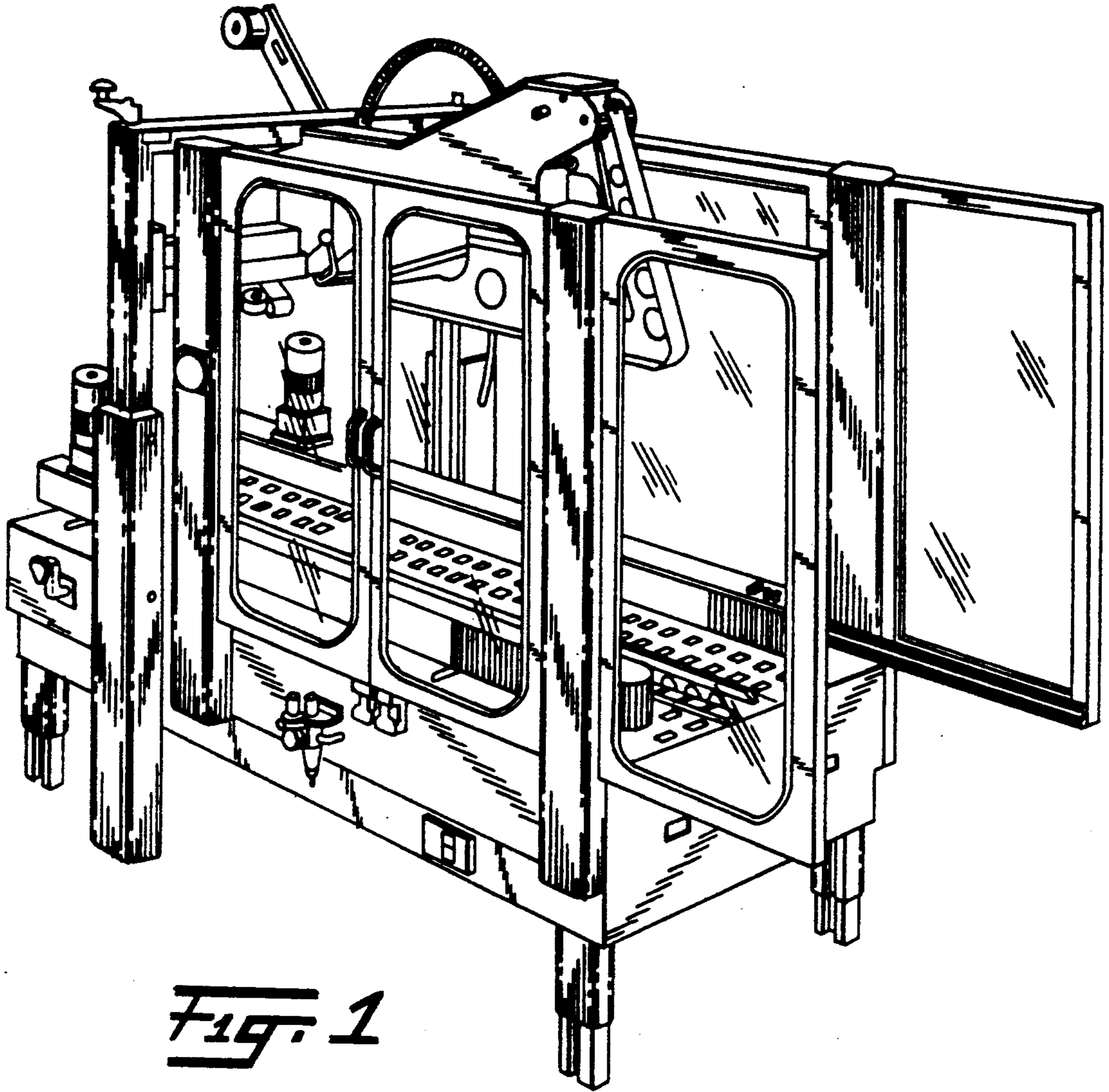


Fig. 1

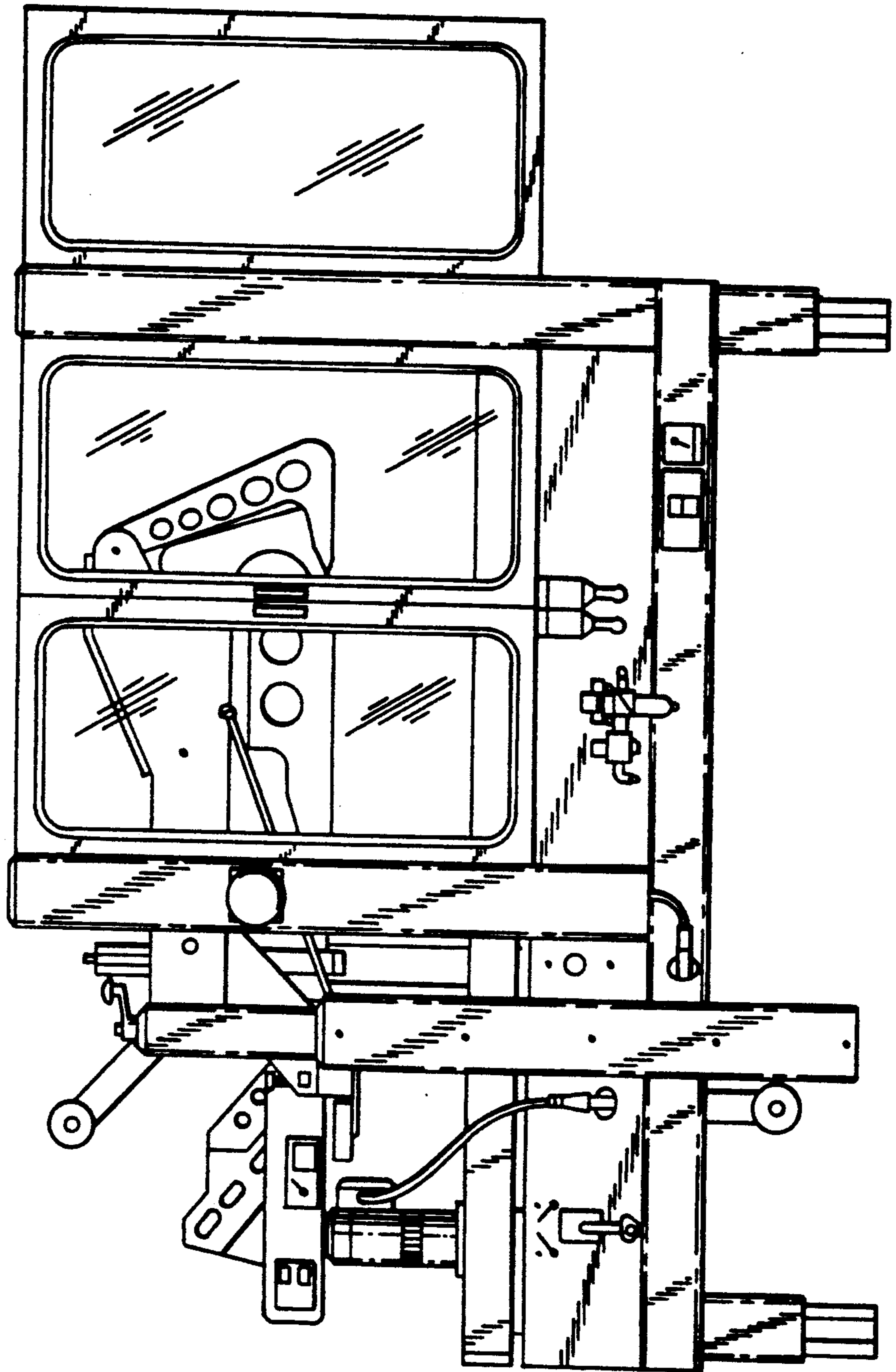


FIG. 2

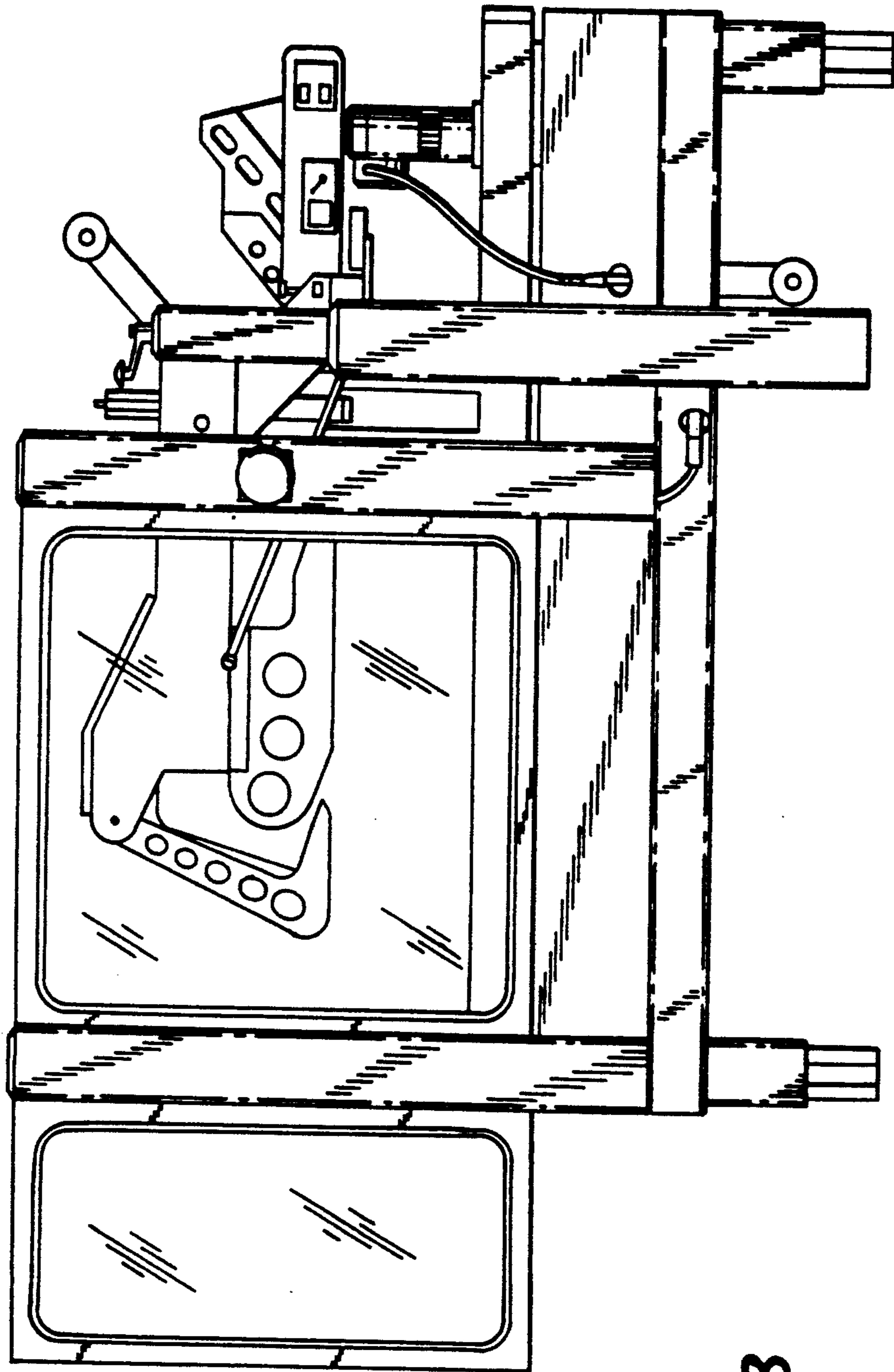


FIG. 3

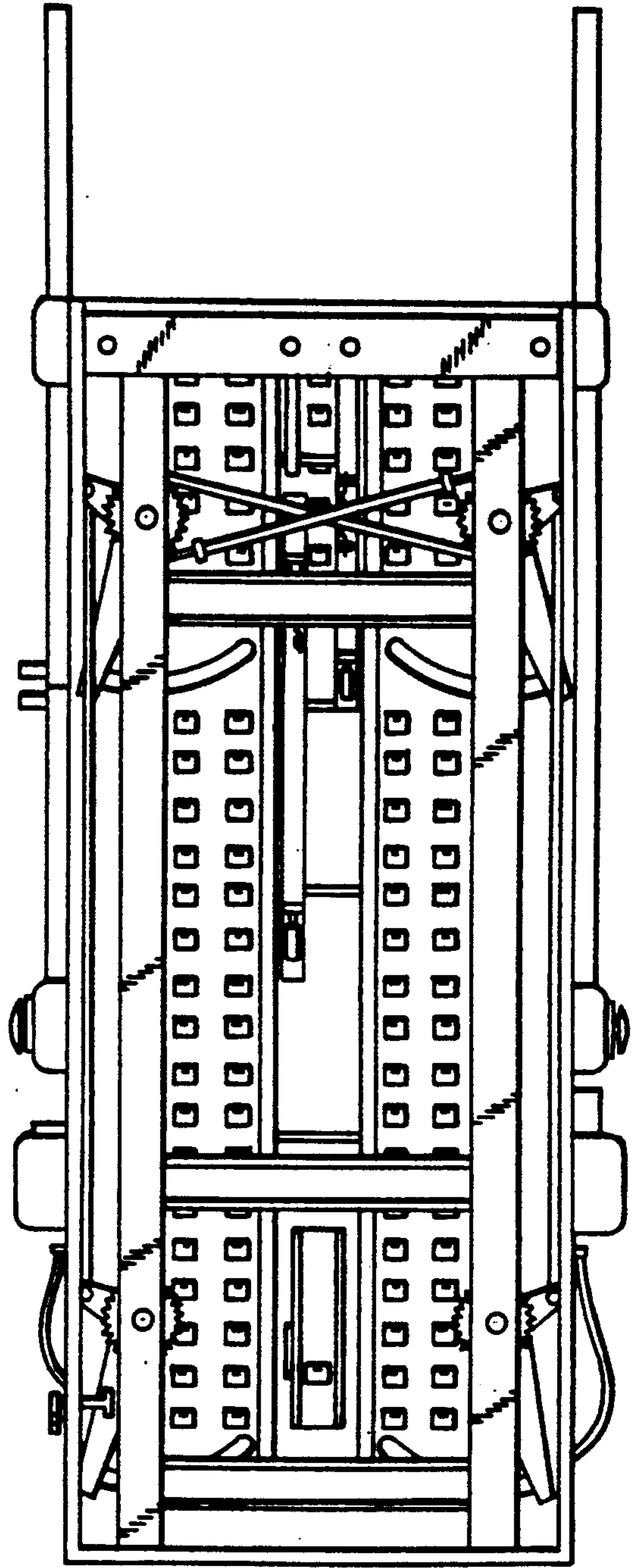
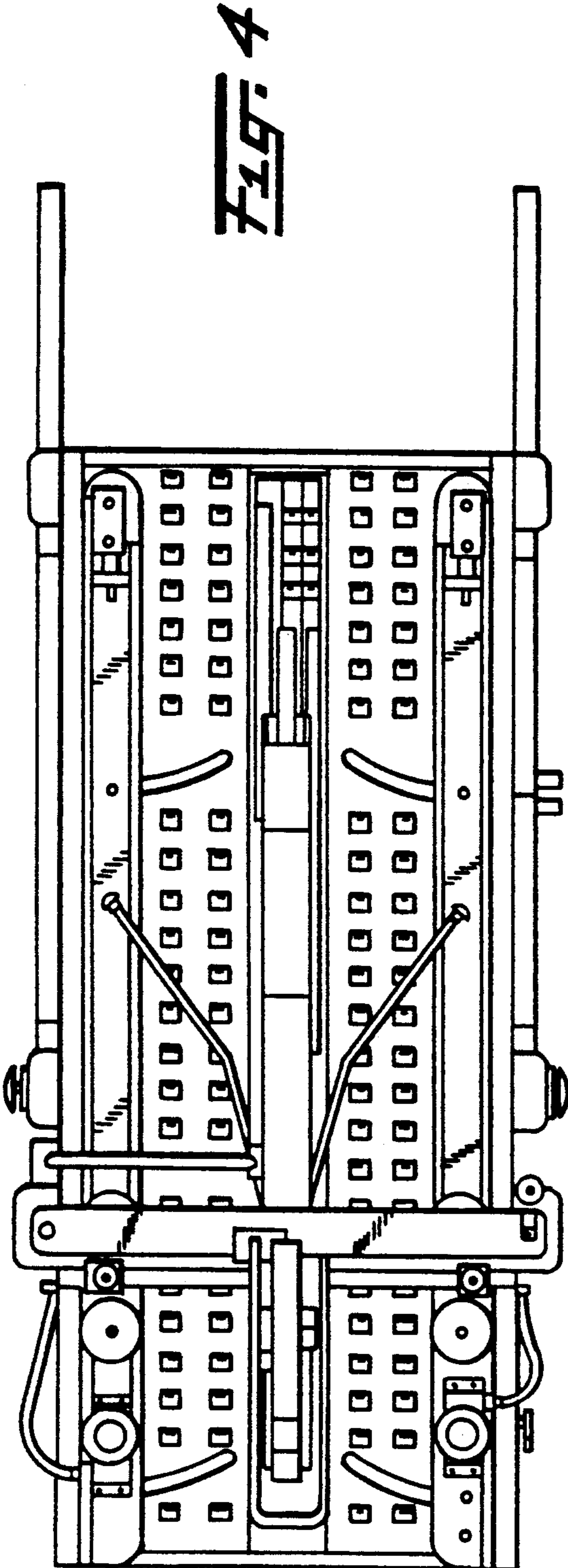


FIG. 5

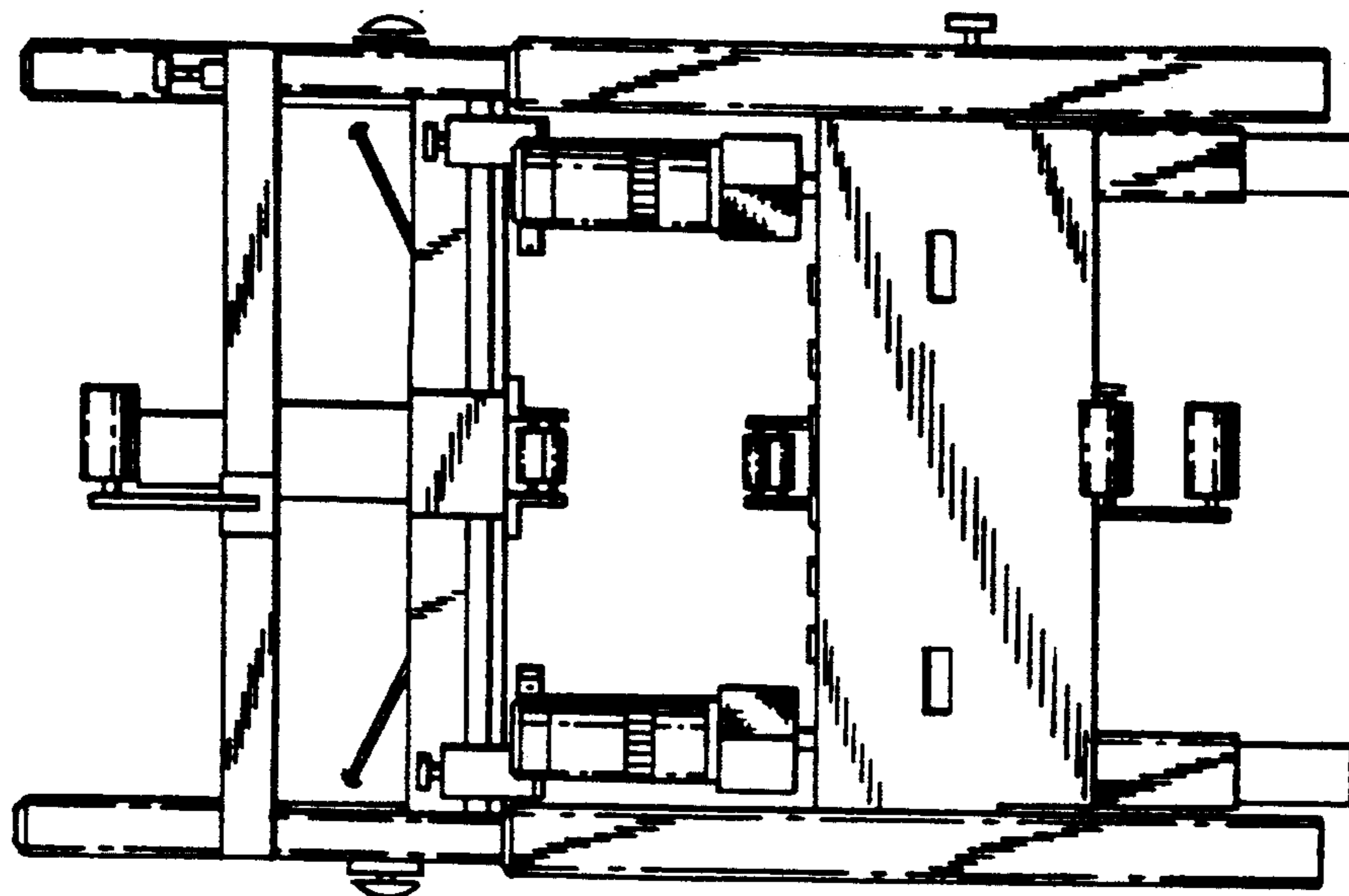


FIG. 7

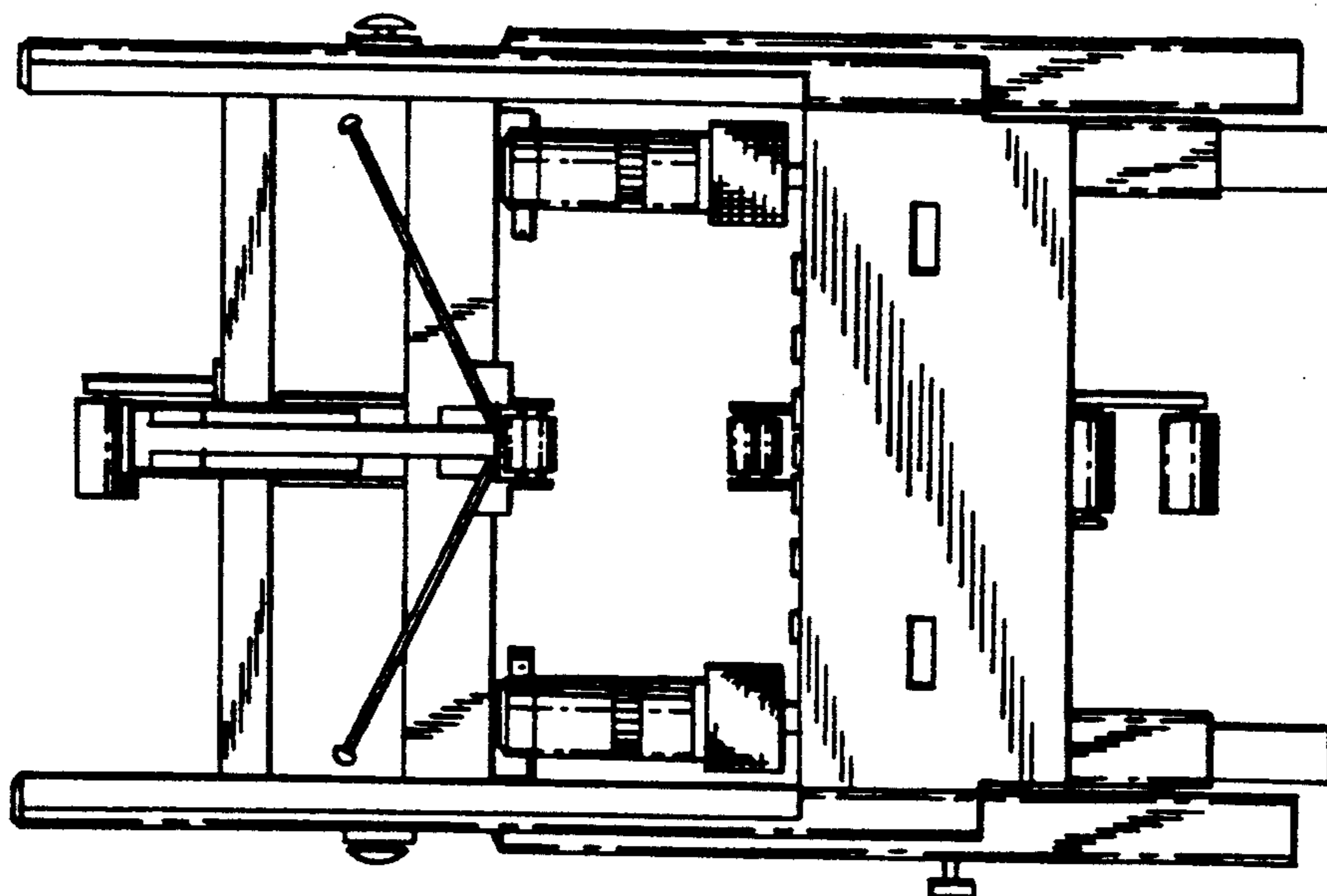


FIG. 6