



US00D342527S

United States Patent [19] Chadwick

[11] Patent Number: Des. 342,527

[45] Date of Patent: ** Dec. 21, 1993

[54] **PROGRESSIVE CAN COMPACTOR**

[75] Inventor: **William H. Chadwick**, Thousand Oaks, Calif.

[73] Assignee: **PF Consumer Products, Inc.**, Ontario, Calif.

[**] Term: **14 Years**

[21] Appl. No.: **271**

[22] Filed: **Oct. 8, 1992**

[52] U.S. Cl. **D15/123**

[58] Field of Search **D15/123; 100/215, 264, 100/265, 266, 267, 276, 902**

[56] **References Cited**

U.S. PATENT DOCUMENTS

D. 272,539	2/1984	Salatka	D15/123
D. 279,681	7/1985	Reynolds	D15/123
D. 282,076	1/1986	Taylor	D15/123
3,062,130	11/1962	Huber et al. .	
3,659,520	5/1972	Garrett et al. .	
3,916,780	11/1975	Heiser .	
4,188,875	2/1980	Fabbri et al. .	
4,240,341	12/1980	Whipple et al. .	
4,301,722	11/1981	Balbo et al. .	
4,323,009	4/1982	Voigt .	
4,326,457	4/1982	Sather	D15/123
4,403,545	9/1983	Toburen et al. .	
4,498,385	2/1985	Manley	100/902 X

4,542,689	9/1985	Trolle .	
4,550,658	11/1985	Trolle .	
4,653,398	3/1987	Fowler .	
4,827,840	5/1989	Kane .	
4,890,552	1/1990	Yelezyn	100/902 X
4,962,701	10/1990	Stralow	100/215
5,009,155	4/1991	Christianson	100/902 X

OTHER PUBLICATIONS

EZ Can Recycler by BLi an Empak Company, advertisement.

Can Ram Aluminum can crusher by Can-Ram, advertisement.

Primary Examiner—Alan P. Douglas

Assistant Examiner—Antoine D. Davis

Attorney, Agent, or Firm—Stetina & Brunda

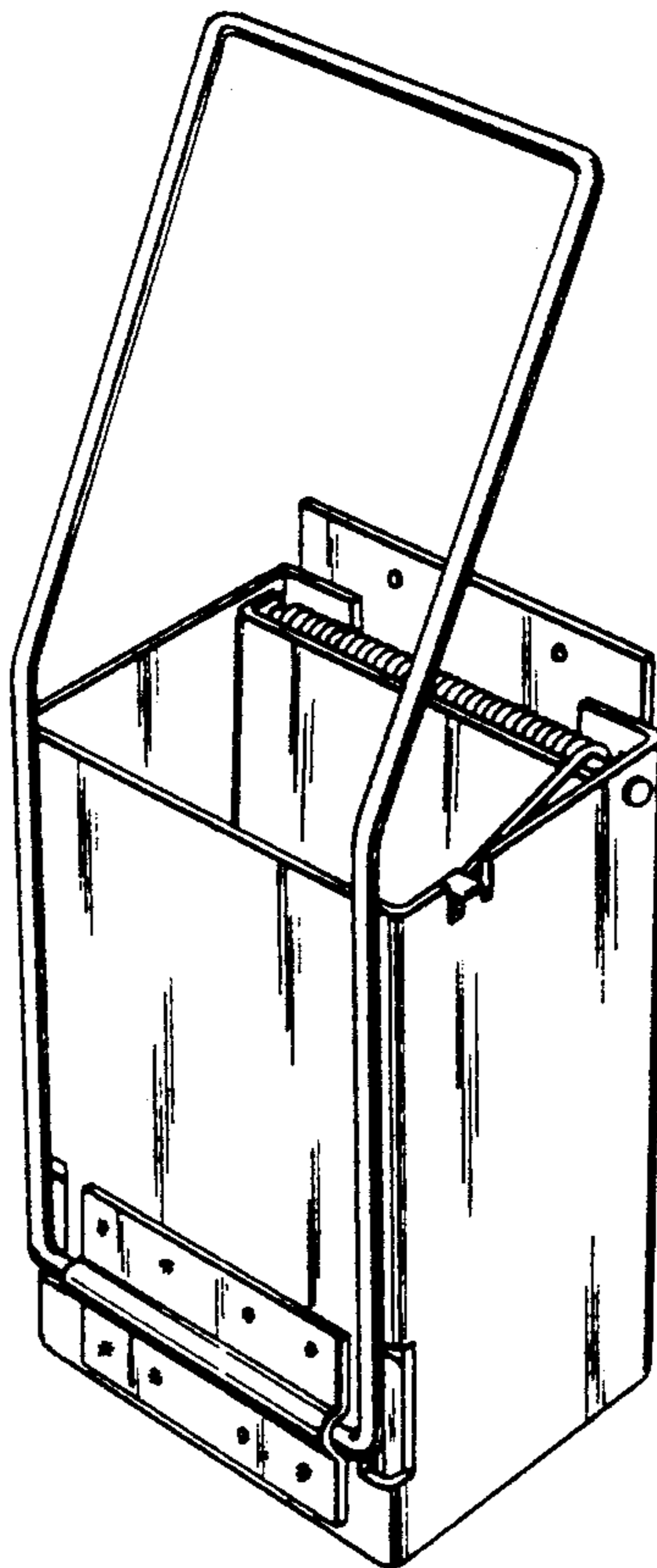
[57] **CLAIM**

The ornamental design for an progressive can compactor, as shown and described.

DESCRIPTION

FIG. 1 is an upper perspective view of the progressive can compactor of the present invention showing my new design;

FIG. 2 is a rear bottom perspective view thereof; and, FIG. 3 is a front upper perspective view depicting the progressive can compactor in an operative orientation wherein the actuation handle is disposed in a downwardly orientation.



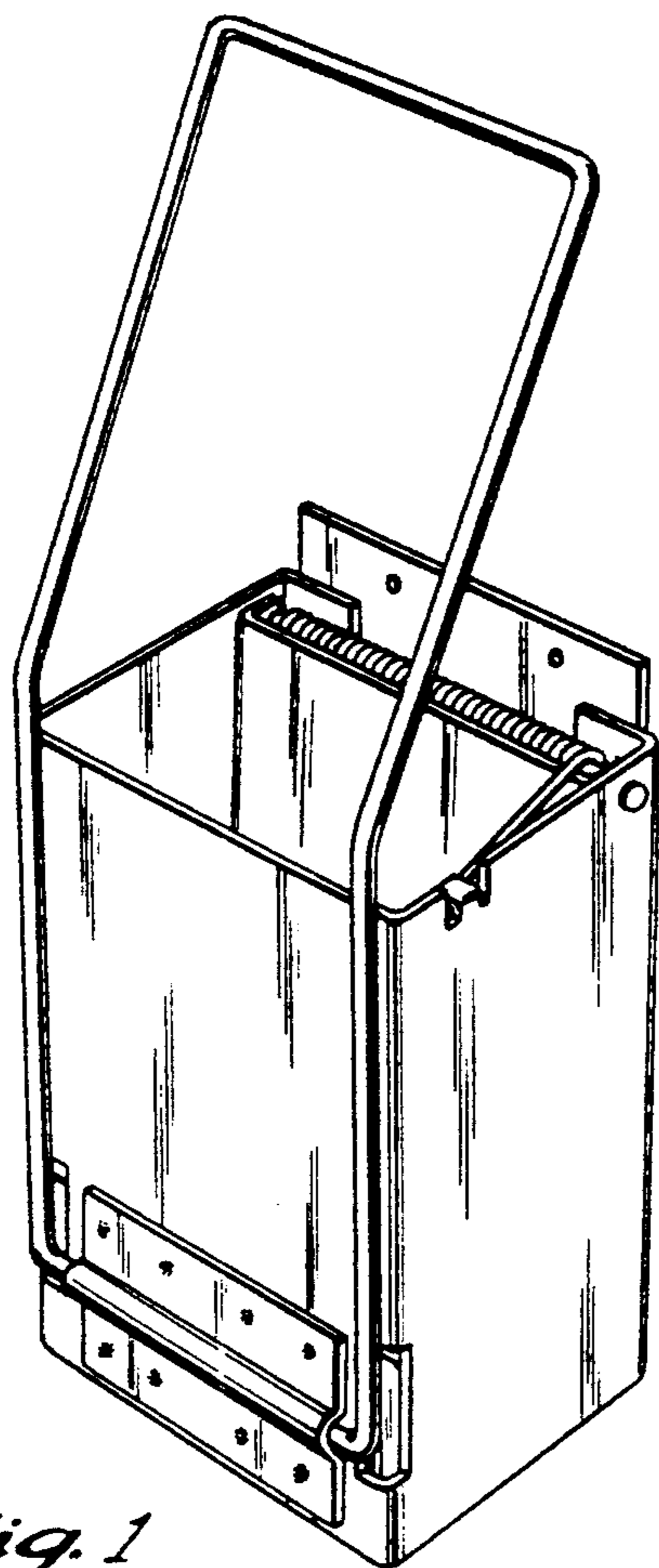


Fig. 1

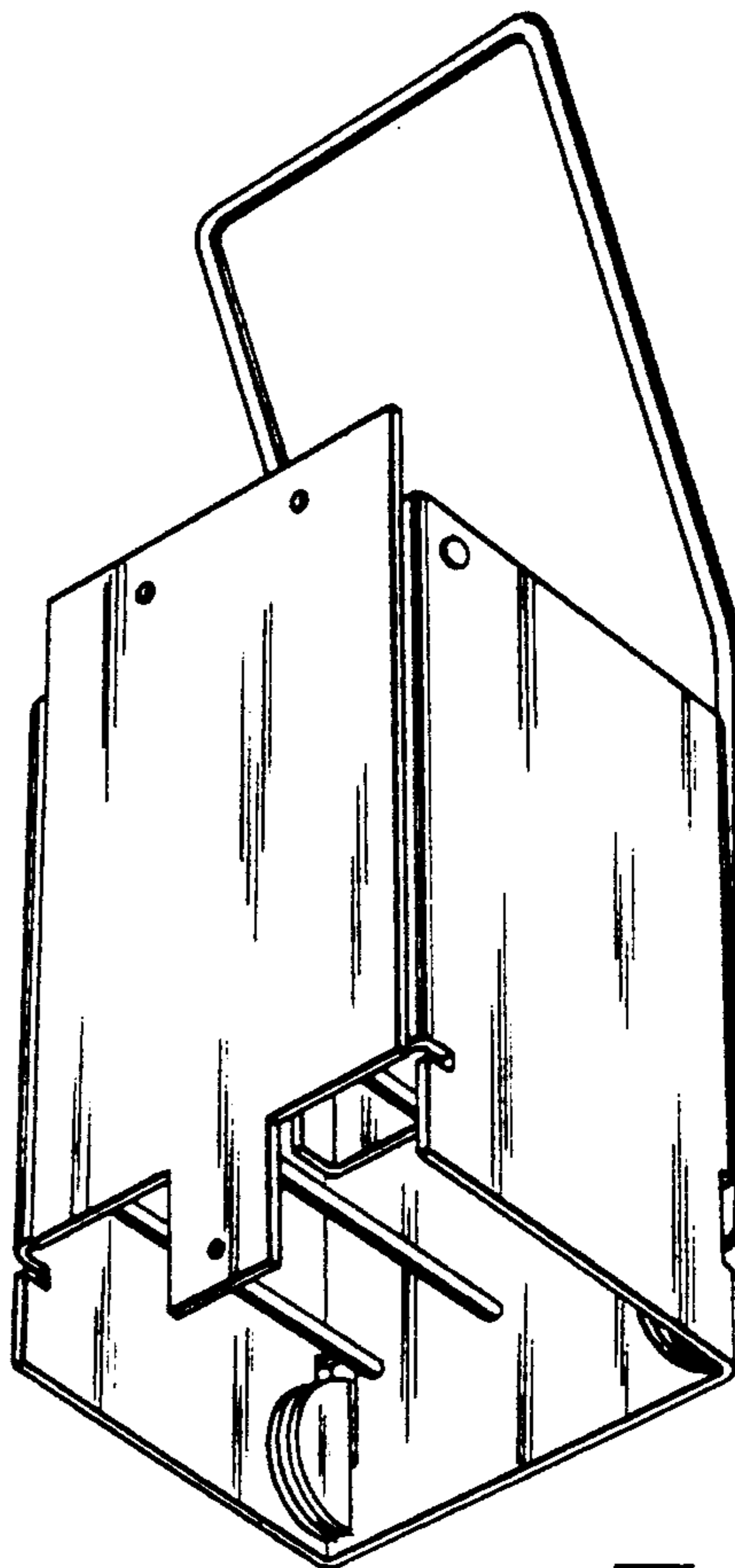


Fig. 2

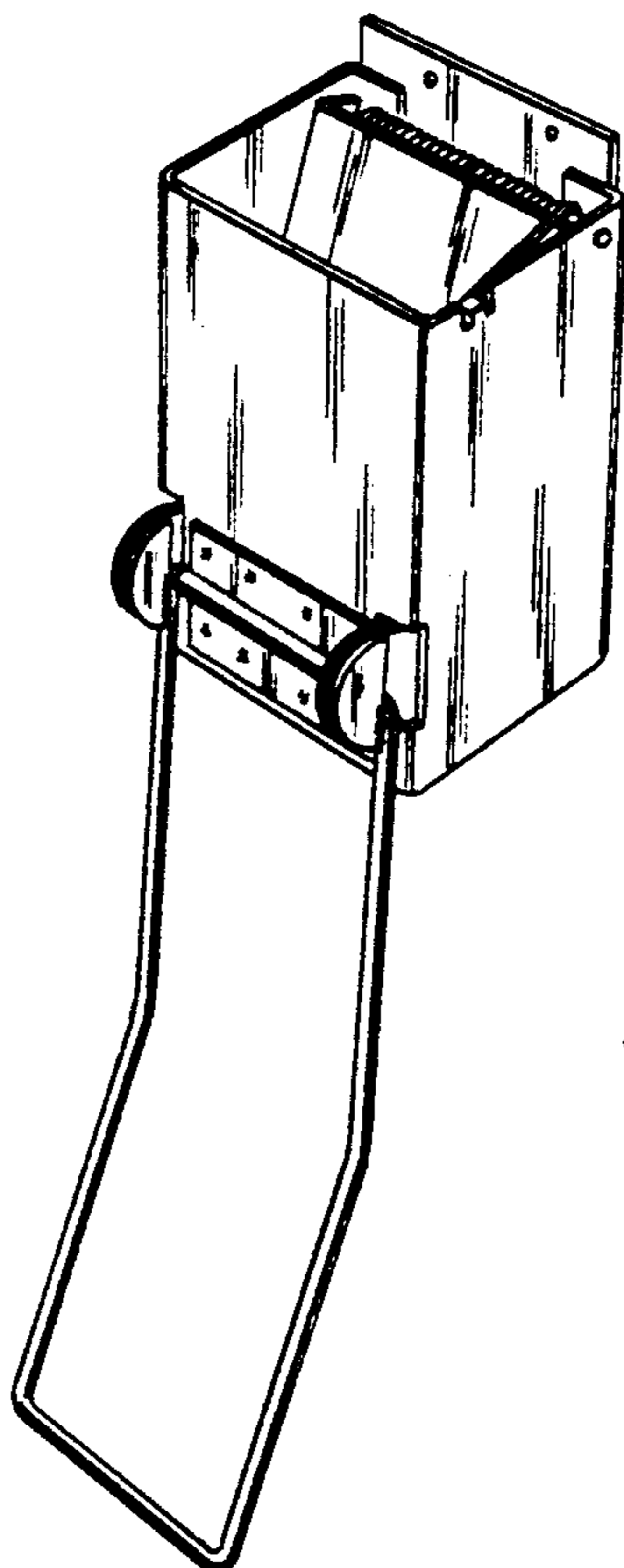


Fig. 3