



US00D342526S

United States Patent [19]

[11] Patent Number: Des. 342,526

Chandler

[45] Date of Patent: ** Dec. 21, 1993

[54] **GROUND ENGAGING ELEMENT**

[75] Inventor: **Graeme A. Chandler**, Morley, Australia

[73] Assignee: **AirBoss Limited**, West Perth, Australia

[**] Term: **14 Years**

[21] Appl. No.: **612,894**

[22] Filed: **Nov. 14, 1990**

[30] **Foreign Application Priority Data**

May 14, 1990 [AU] Australia 1444/90

[52] U.S. Cl. **D15/28**

[58] Field of Search **D15/10, 22-24, D15/28; D12/135, 149, 151, 154; 152/209 A, 209 WT, 523; 180/9.1; 305/34, 35 R, 35 EB, 39, 53, 54, 56**

4,469,379	9/1984	Kotyuk	305/35
4,715,668	12/1987	Burmeister	305/34
4,906,054	3/1990	Edwards et al.	305/56

FOREIGN PATENT DOCUMENTS

269016	7/1966	Australia .	
87120	5/1983	Australia .	
8900301	2/1990	Australia .	
D. 64198	8/1989	Canada .	
D. 64199	8/1989	Canada .	
1194358	11/1959	France	10/4
2036038	12/1970	France .	
61-163002	7/1986	Japan .	
140895	8/1930	Switzerland .	
560624	4/1975	Switzerland .	
207632	12/1923	United Kingdom .	
293638	7/1928	United Kingdom .	
453544	10/1936	United Kingdom .	
565646	11/1944	United Kingdom .	
1416602	12/1975	United Kingdom .	

[56] **References Cited**

U.S. PATENT DOCUMENTS

D. 186,214	9/1959	Francis	D15/28
D. 241,734	10/1976	Pfoertner	D12/154
D. 285,672	9/1986	Igarashi et al.	D12/151
D. 303,779	10/1989	Bonko	D12/151
D. 305,528	1/1990	Igarashi	D12/149
D. 309,314	7/1990	Grawey et al.	D15/24
D. 323,135	1/1992	Thomas	D12/151
D. 325,209	4/1992	Rollinson	D15/28
1,365,539	1/1921	Pepple .	
1,395,432	11/1921	Kroyer .	
1,414,252	4/1922	Brubaker .	
1,421,029	6/1922	Roe .	
1,455,844	5/1923	Lang .	
1,553,018	9/1925	Barth .	
2,008,954	7/1935	Griebat	301/44
2,901,021	8/1959	Booharin	152/334
2,984,520	5/1961	Wadell	301/43
3,427,078	2/1969	Parsons	305/14
3,730,245	5/1973	Kusunoki et al.	152/209 WT
3,819,240	6/1974	Bibaut	305/54
3,895,845	7/1975	Hale	305/35
3,950,038	4/1976	Wood	305/34

OTHER PUBLICATIONS

One page extract from Derwent Abstract Accession no. 88-131375/19 (Large Tyres Re Ins).

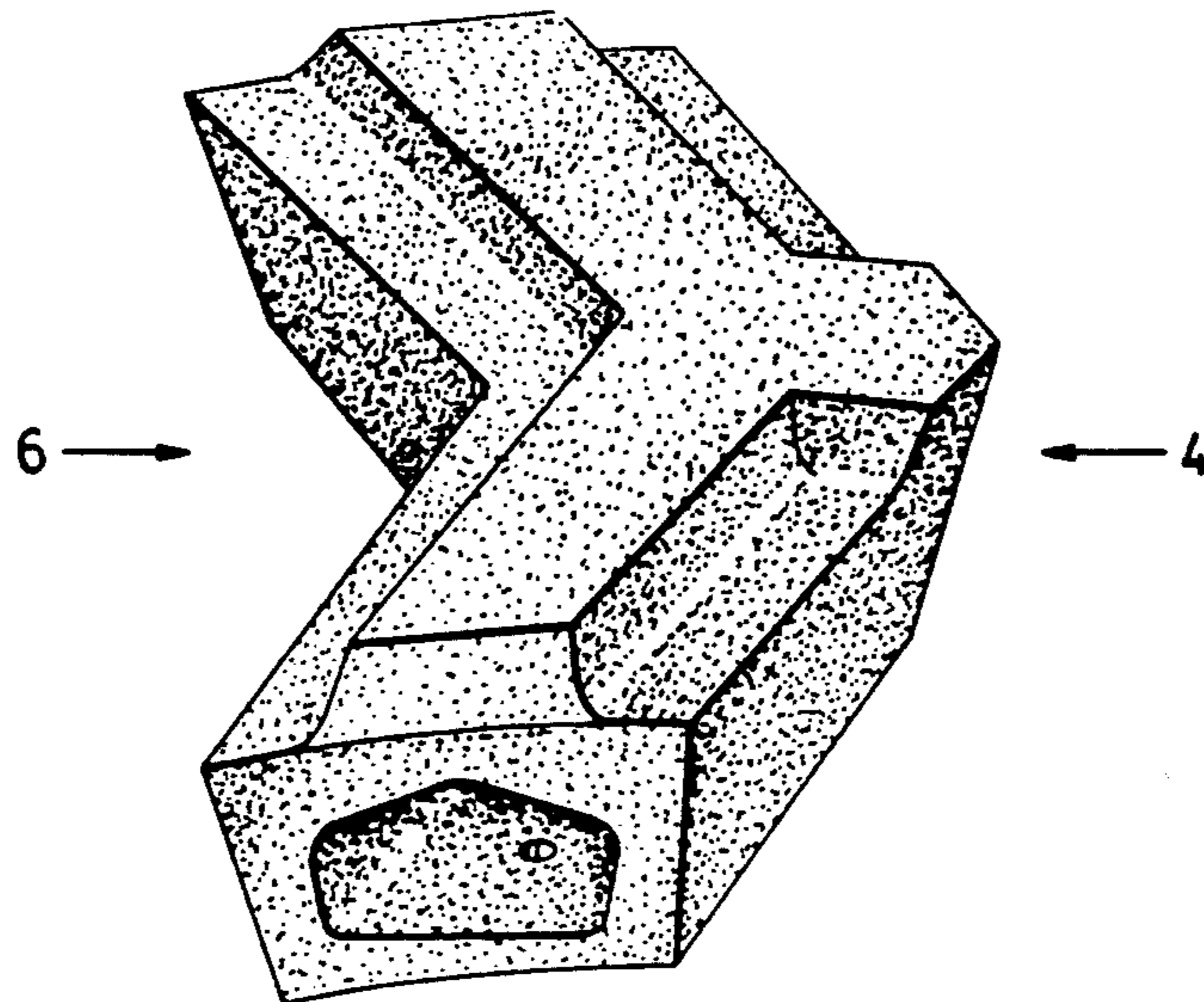
Primary Examiner—Bernard Ansher
Assistant Examiner—Sandra Morris
Attorney, Agent, or Firm—Bereskin & Parr

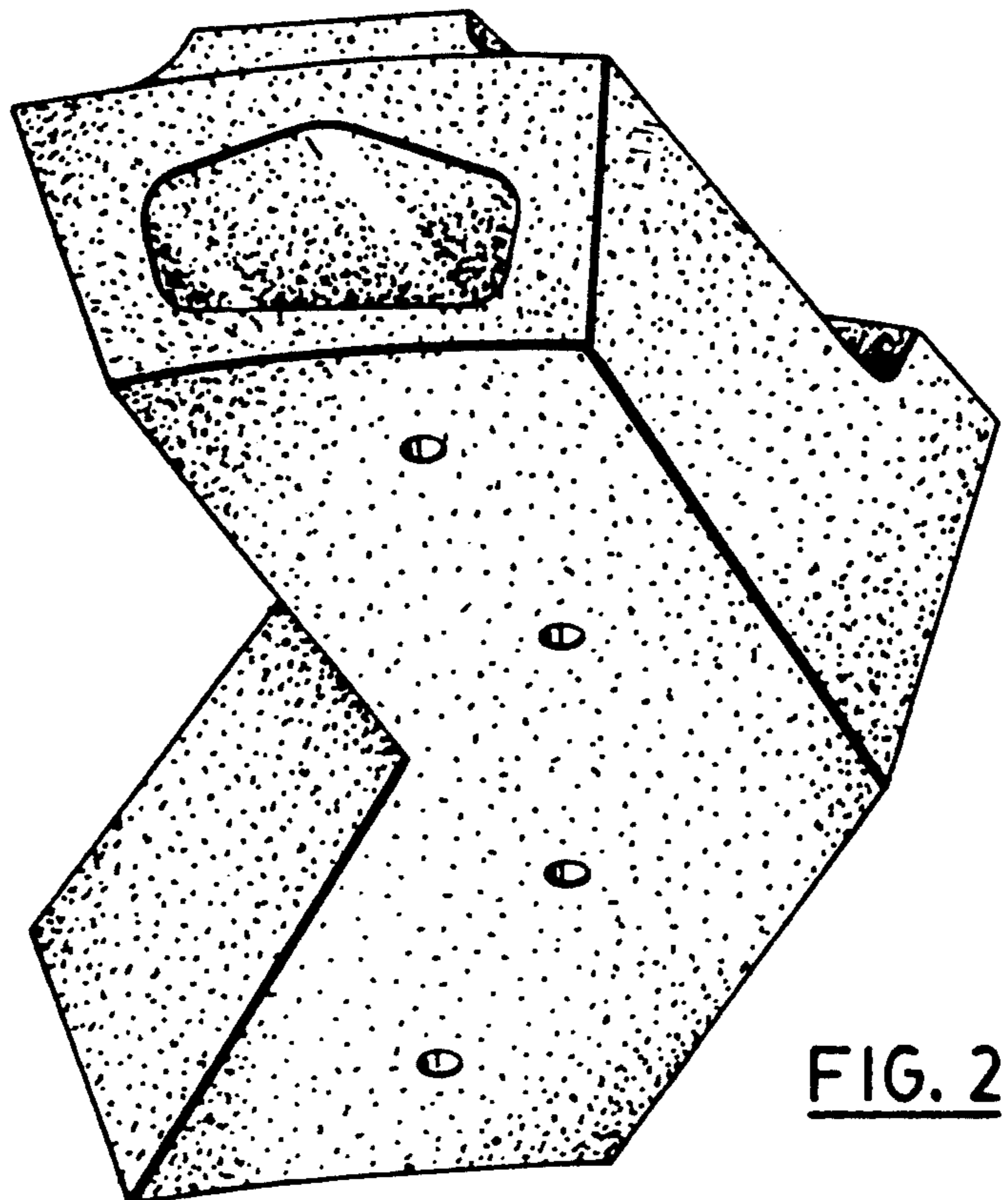
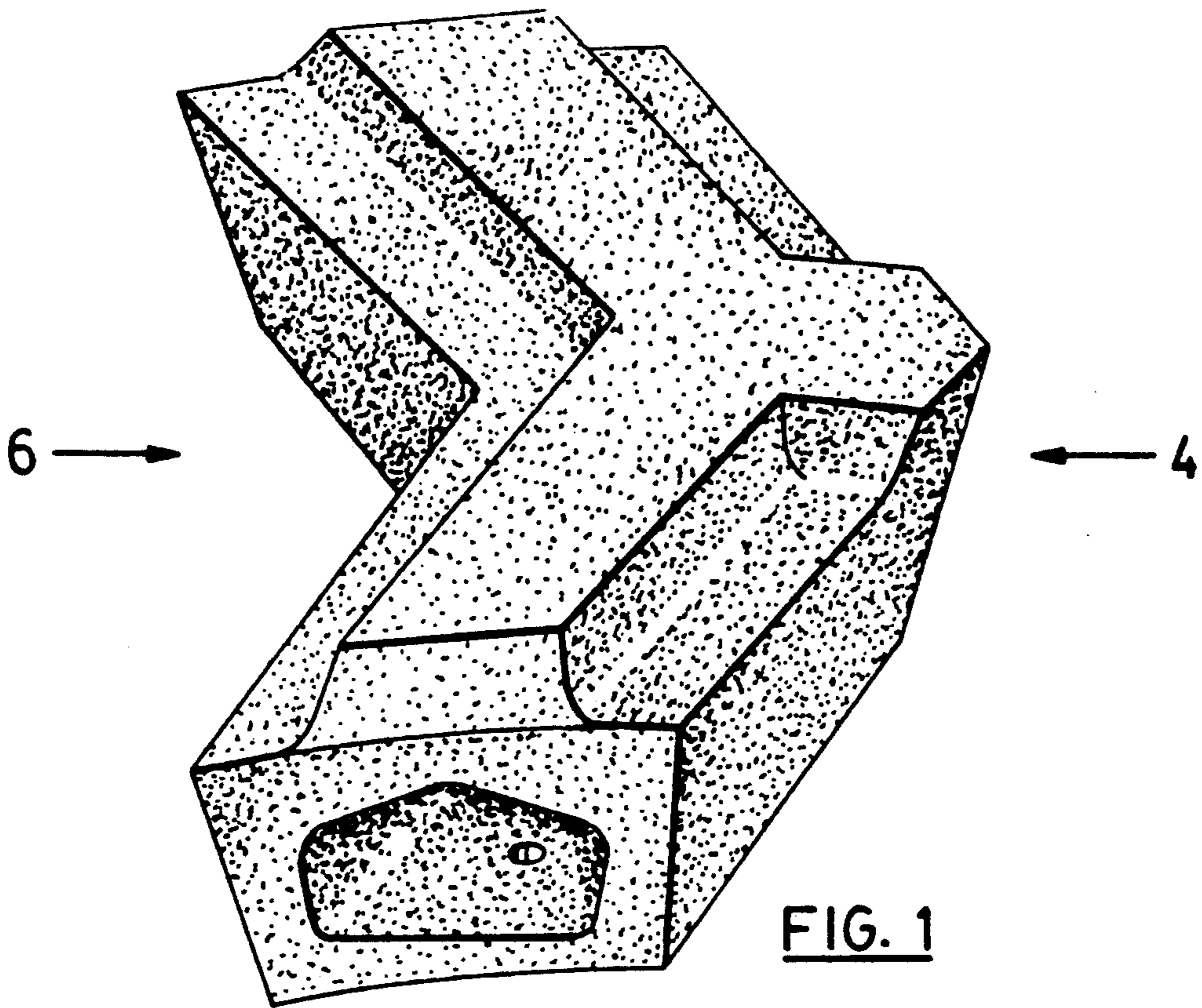
[57] **CLAIM**

The ornamental design for a ground engaging element, as shown.

DESCRIPTION

FIG. 1 is a top perspective view of a ground engaging element, showing my new design;
FIG. 2 is a bottom perspective view thereof;
FIG. 3 is an enlarged top plan view thereof;
FIG. 4 is an enlarged front elevational view thereof;
FIG. 5 is an enlarged bottom plan view thereof;
FIG. 6 is an enlarged rear elevational view thereof;
FIG. 7 is an enlarged right side elevational view thereof; and,
FIG. 8 is an enlarged left side elevational view thereof.





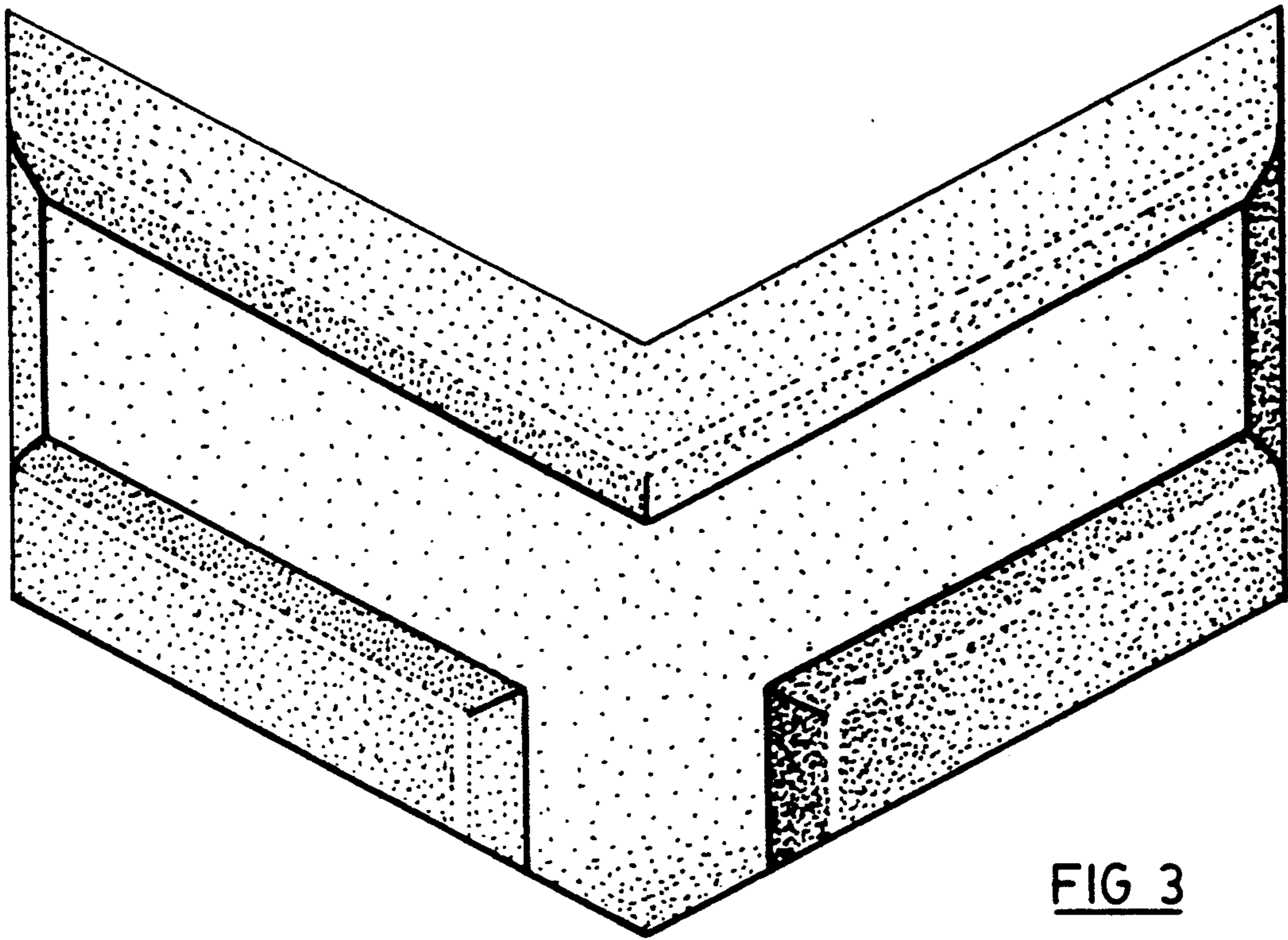


FIG. 3

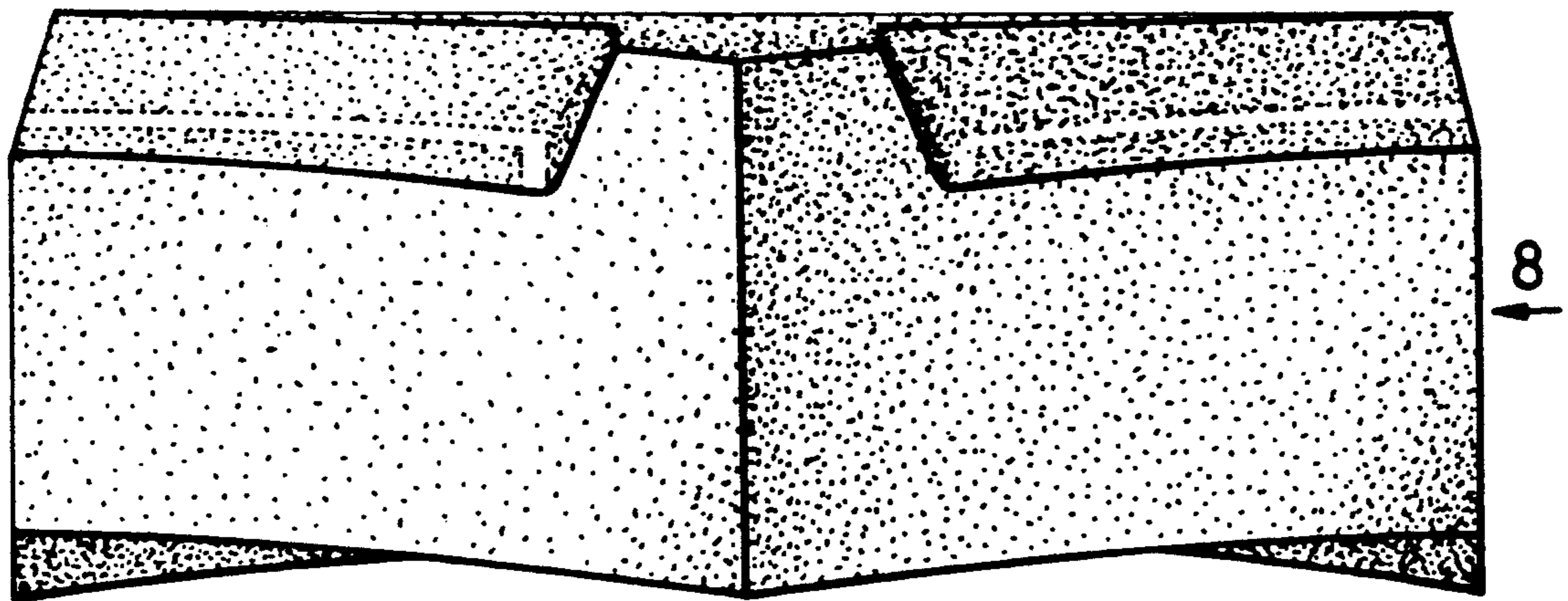


FIG. 4

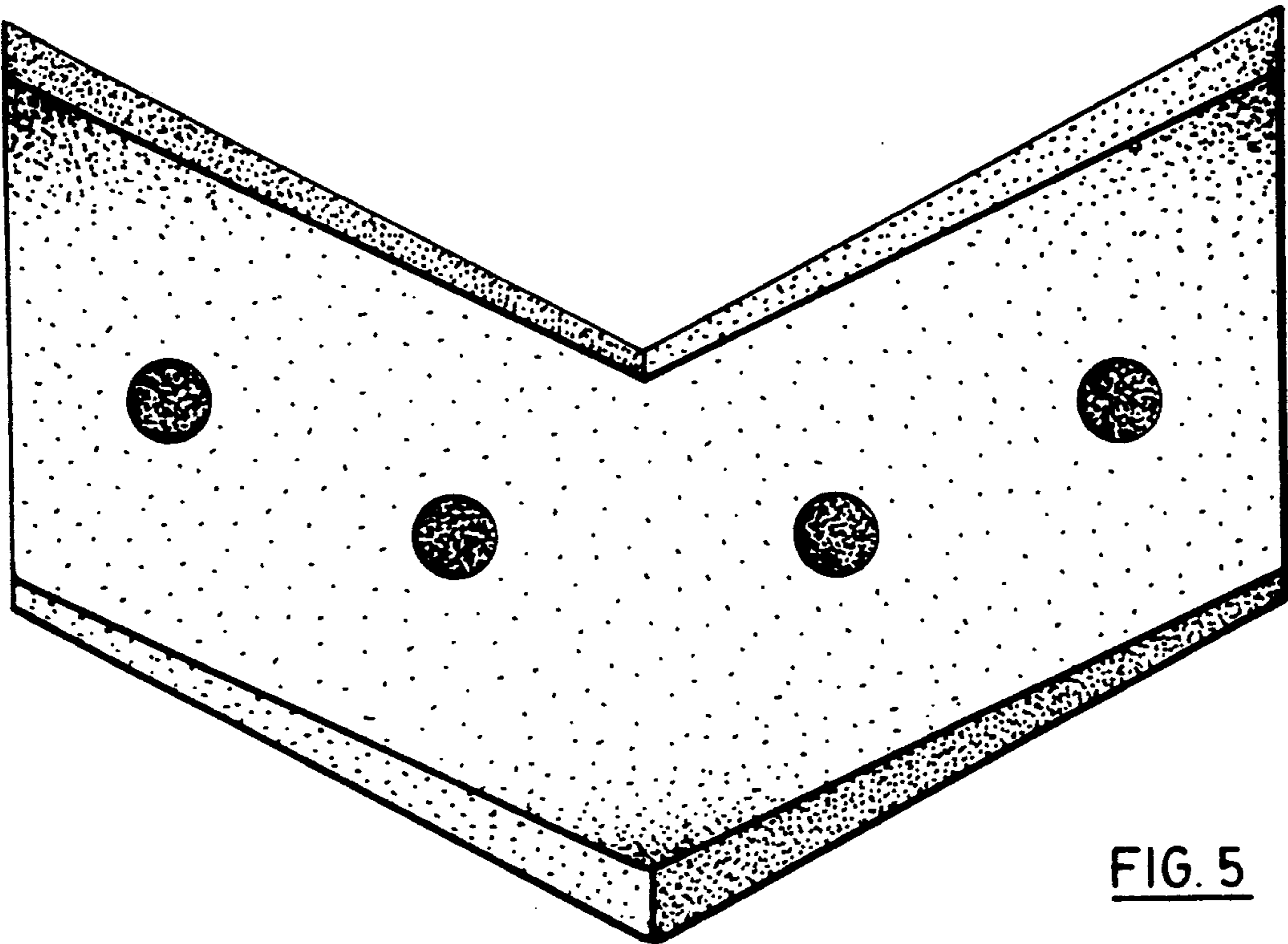
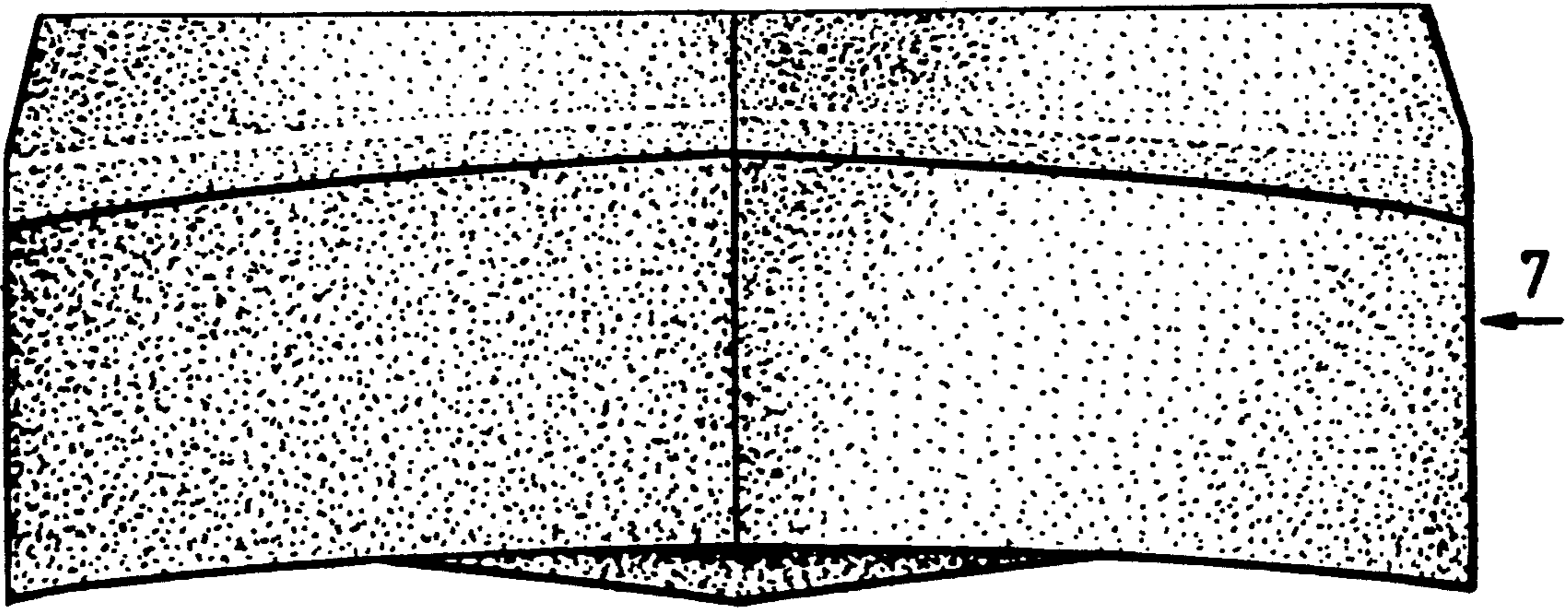


FIG. 5



↑
5

←
7

FIG. 6

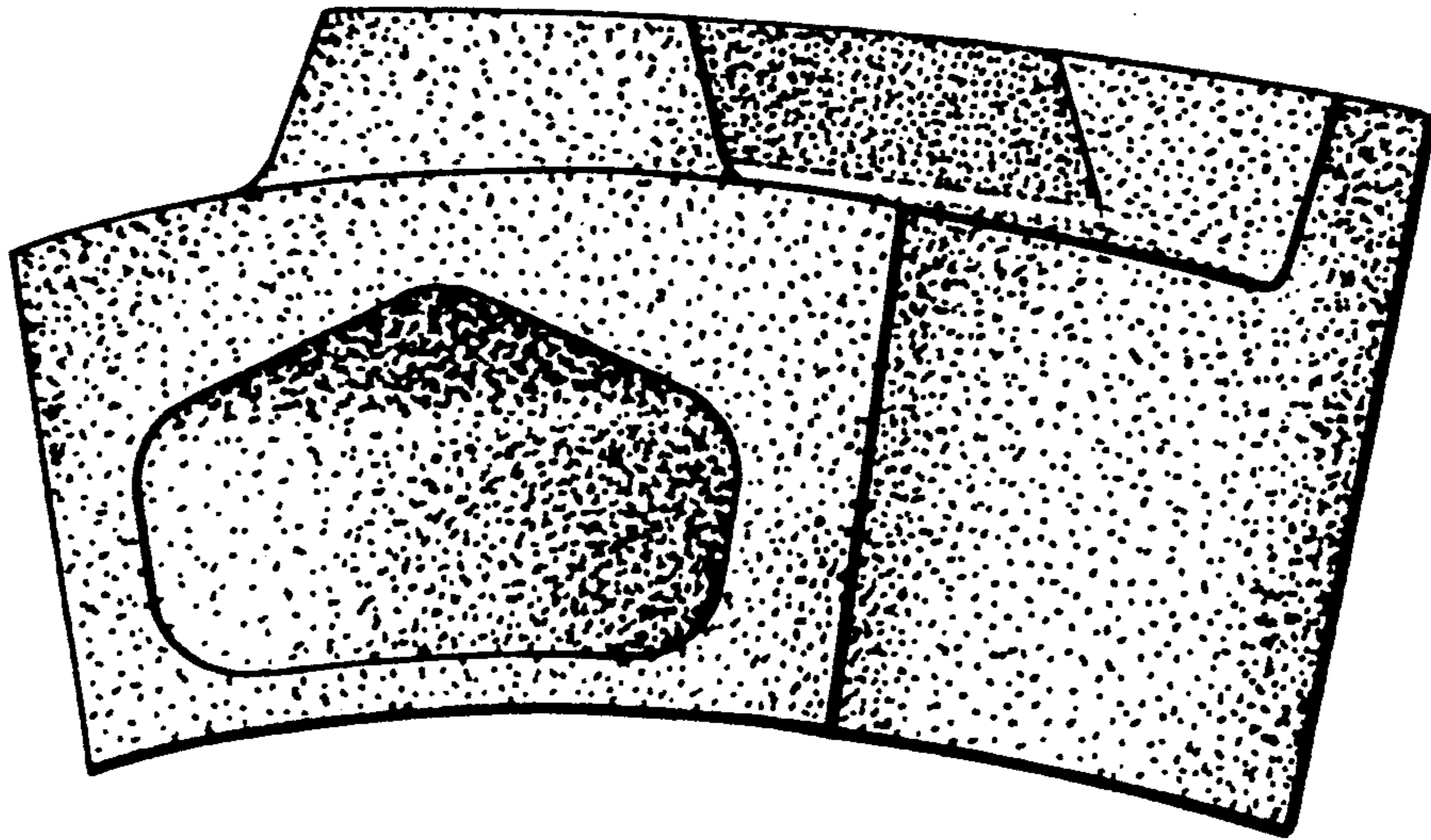


FIG. 7

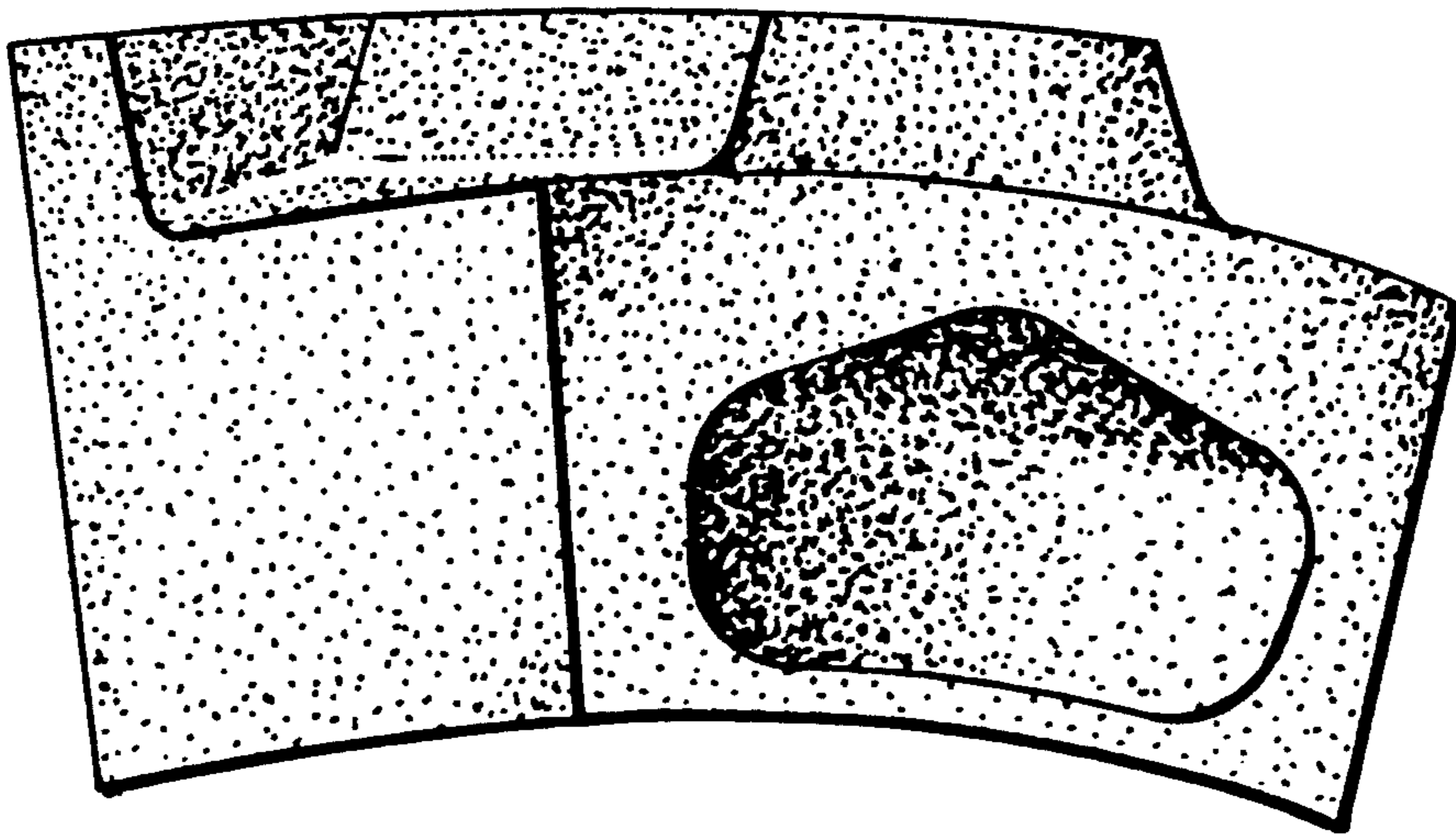


FIG. 8