



US00D342525S

United States Patent [19]

[11] Patent Number: **Des. 342,525**

Bloemen et al.

[45] Date of Patent: **** Dec. 21, 1993**

[54] **FUEL DISPENSER**

[75] Inventors: **Michael W. Bloemen**, Highlands Ranch; **Don A. Moen**, Berthoud; **John P. Raecker**, Littleton; **Thomas R. Miller**, Wheatridge, all of Colo.

[73] Assignee: **Natural Fuels Corp.**, Denver, Colo.

[**] Term: **14 Years**

[21] Appl. No.: **951,537**

[22] Filed: **Sep. 23, 1992**

[52] U.S. Cl. **D15/9.1**

[58] Field of Search **D15/9.1, 9.2, 9.3; 235/94 R, 94 A; 222/23-28, 30**

[56] **References Cited**

U.S. PATENT DOCUMENTS

D. 258,361 2/1981 Gray **D15/9.1**

D. 272,627 2/1984 Monigle et al. **15/9.1**
D. 273,791 5/1984 Monigle et al. **D15/9.1**
D. 301,147 5/1989 Bass **D15/9.1**

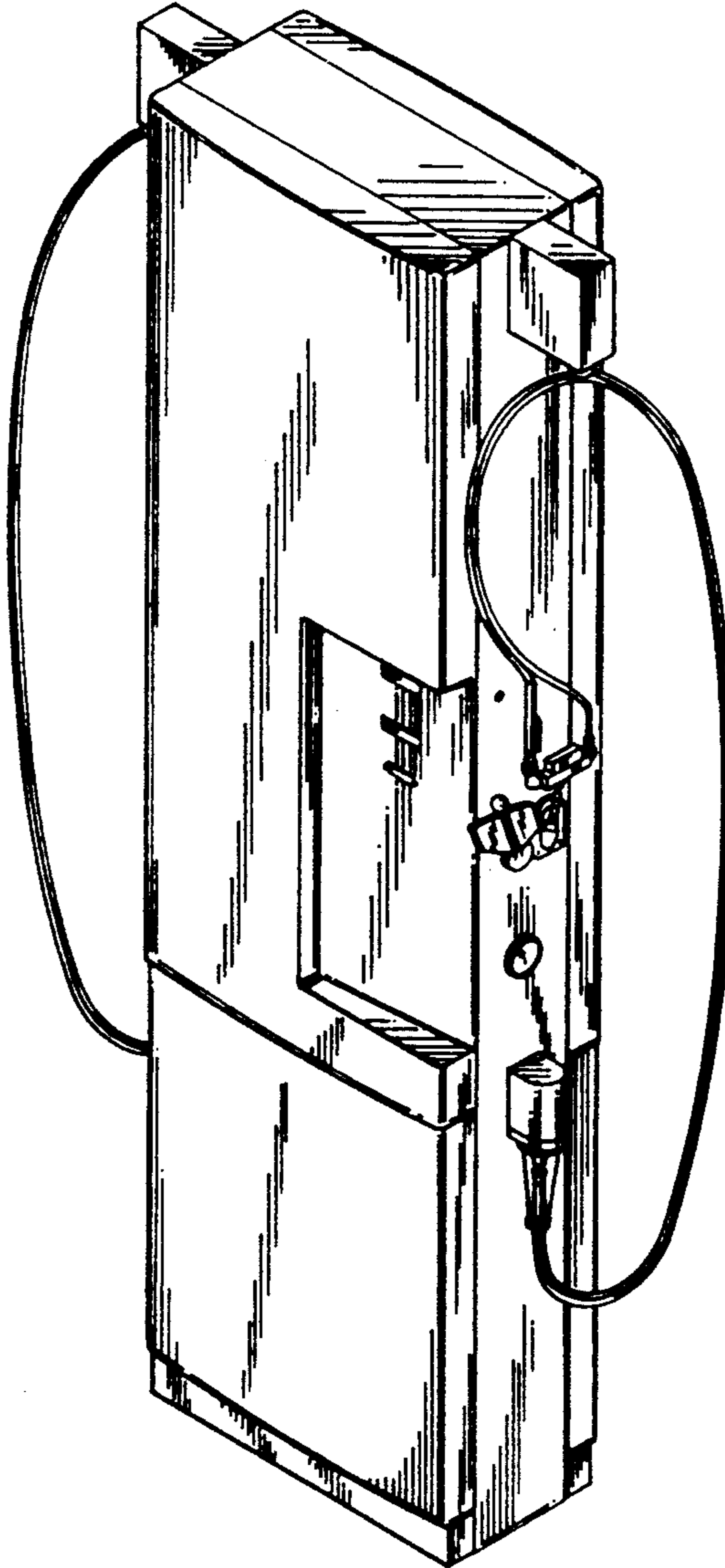
Primary Examiner—**A. Hugo Word**
Assistant Examiner—**R. Seifert**
Attorney, Agent, or Firm—**Dorr, Carson, Sloan & Peterson**

[57] **CLAIM**

The ornamental design for a fuel dispenser, as shown and described.

DESCRIPTION

FIG. 1 is a perspective view of the fuel dispenser; FIG. 2 is a front elevational view of the fuel dispenser, with the rear view being the same as the front view; FIG. 3 is a side elevational view of the fuel dispenser, with the opposite side being the same; and, FIG. 4 is a top plan view of the fuel dispenser.



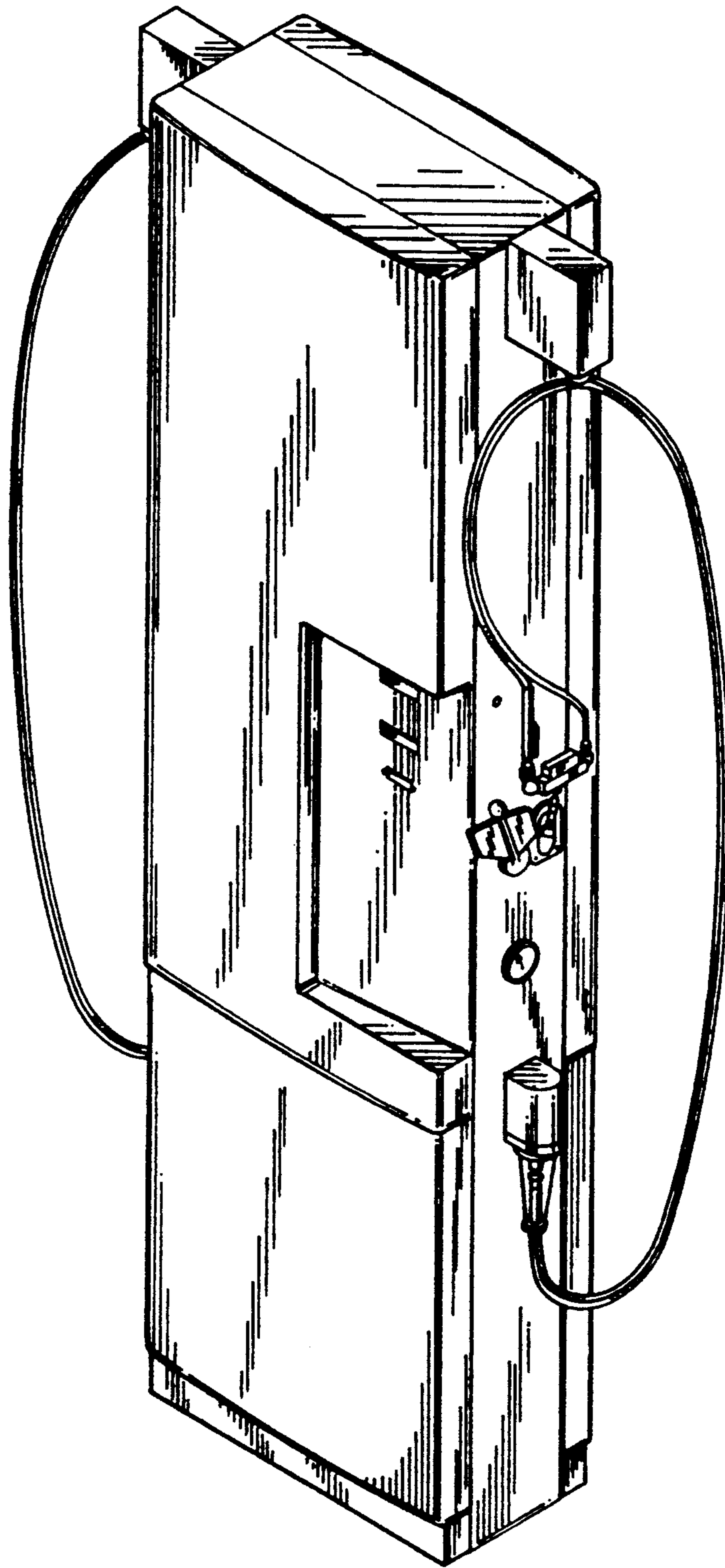


FIG. 1.

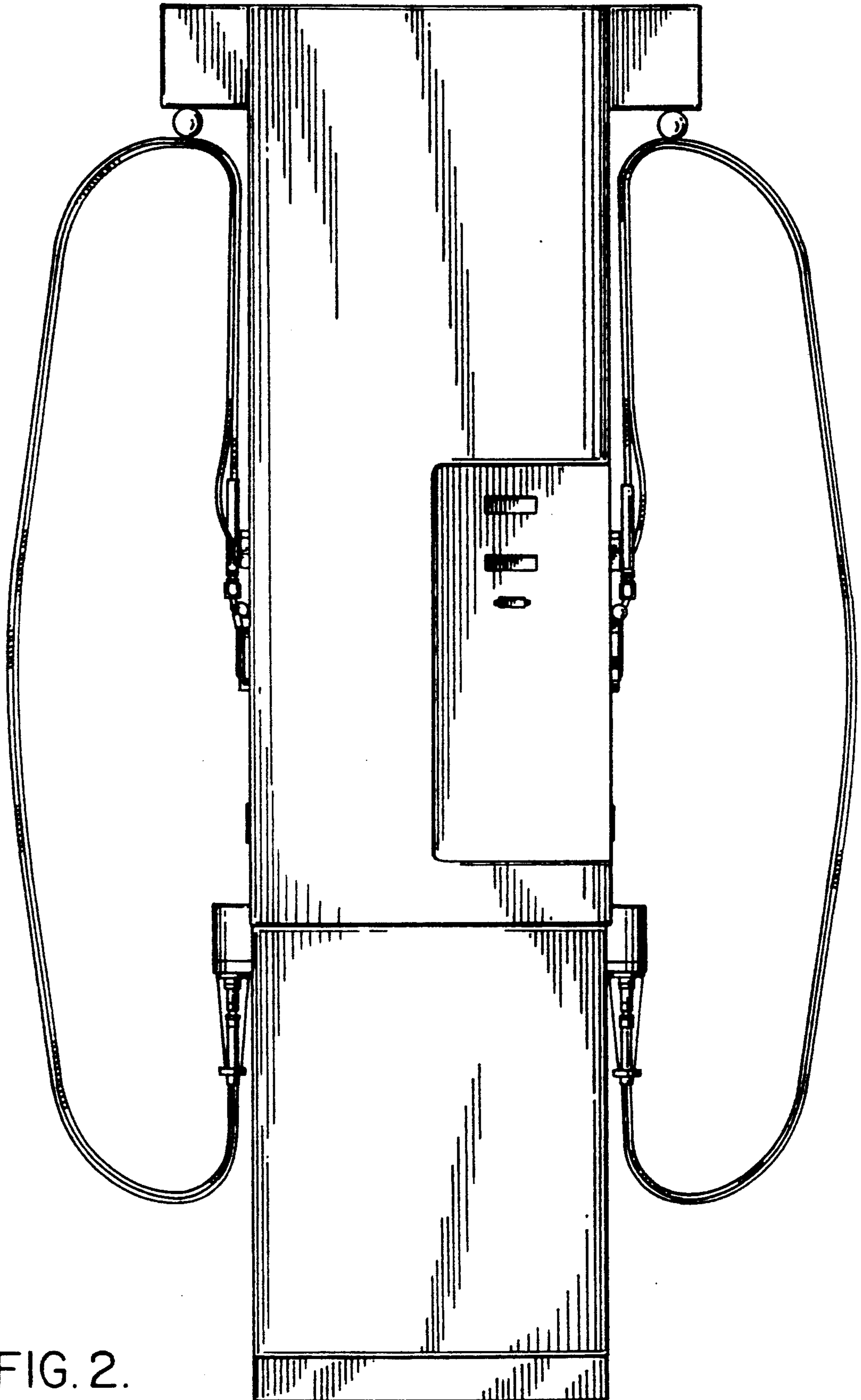


FIG. 2.

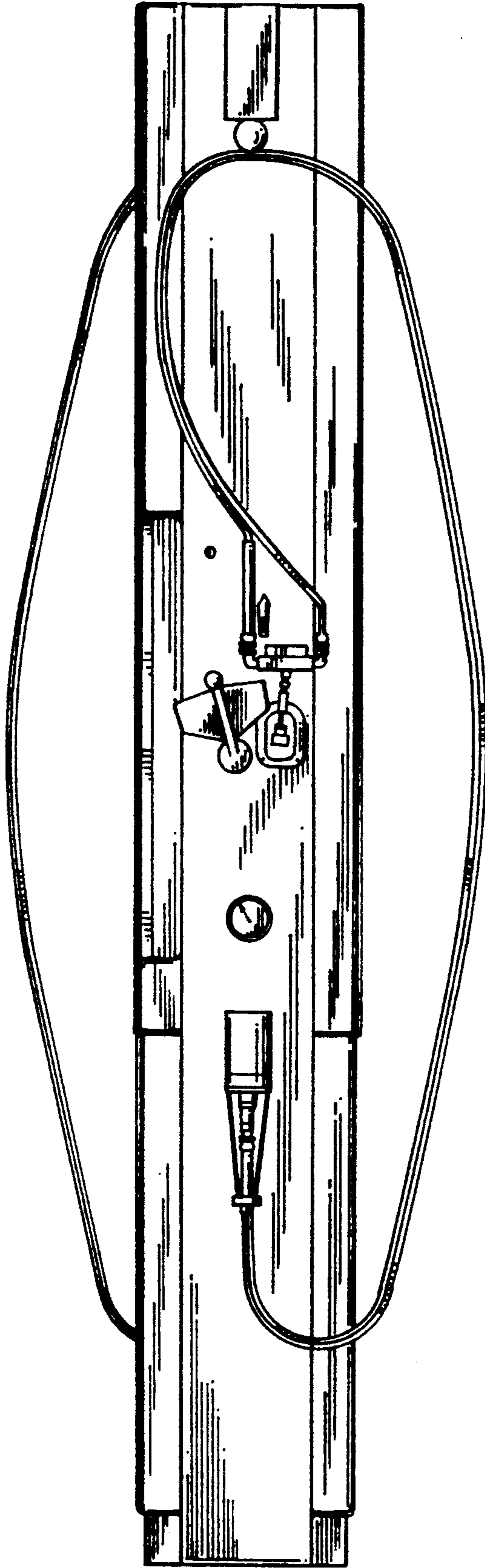


FIG. 3.

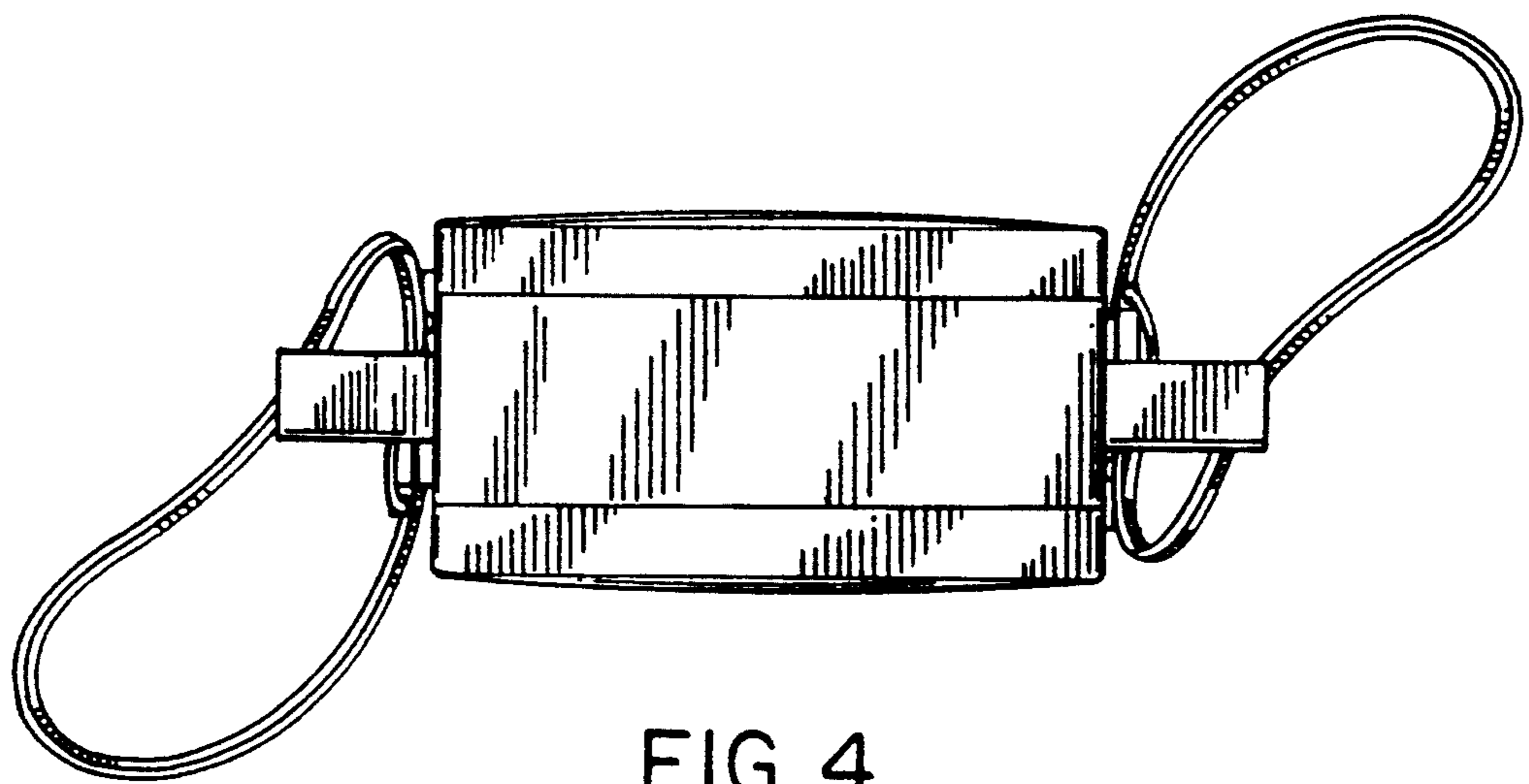


FIG. 4.