



US00D342523S

United States Patent [19]

Morgan et al.

[11] Patent Number: **Des. 342,523**

[45] Date of Patent: **** Dec. 21, 1993**

[54] **COVER FOR WALL MOUNTED ELECTRONIC EQUIPMENT**

[75] Inventors: **Stuart K. Morgan, Westford; Margaret L. Hetfield, Arlington, both of Mass.**

[73] Assignee: **Digital Equipment Corporation, Maynard, Mass.**

[**] Term: **14 Years**

[21] Appl. No.: **683,369**

[22] Filed: **Apr. 8, 1991**

[52] U.S. Cl. **D14/250; D13/156; D13/177; D13/184; D14/240**

[58] Field of Search **D13/158, 160, 162, 184, D13/199; D14/114, 140, 240, 241, 250, 256; 379/440, 441, 442, 453; D6/513**

[56] **References Cited**

U.S. PATENT DOCUMENTS

- D. 106,306 10/1937 Lantz, Jr. D13/177
- D. 106,369 10/1937 Lantz, Jr. D13/177
- D. 183,964 11/1958 Eisenberg D13/158

- D. 187,226 2/1960 Collins, Jr. D13/177
- D. 215,295 9/1969 Veech D13/184
- D. 218,609 9/1970 Charles D13/184
- D. 299,465 1/1989 Helstab D14/114
- D. 315,332 3/1991 Kumagai et al. D13/156
- D. 315,910 4/1991 Ward D14/250
- D. 328,284 7/1992 Brenner D13/158 X

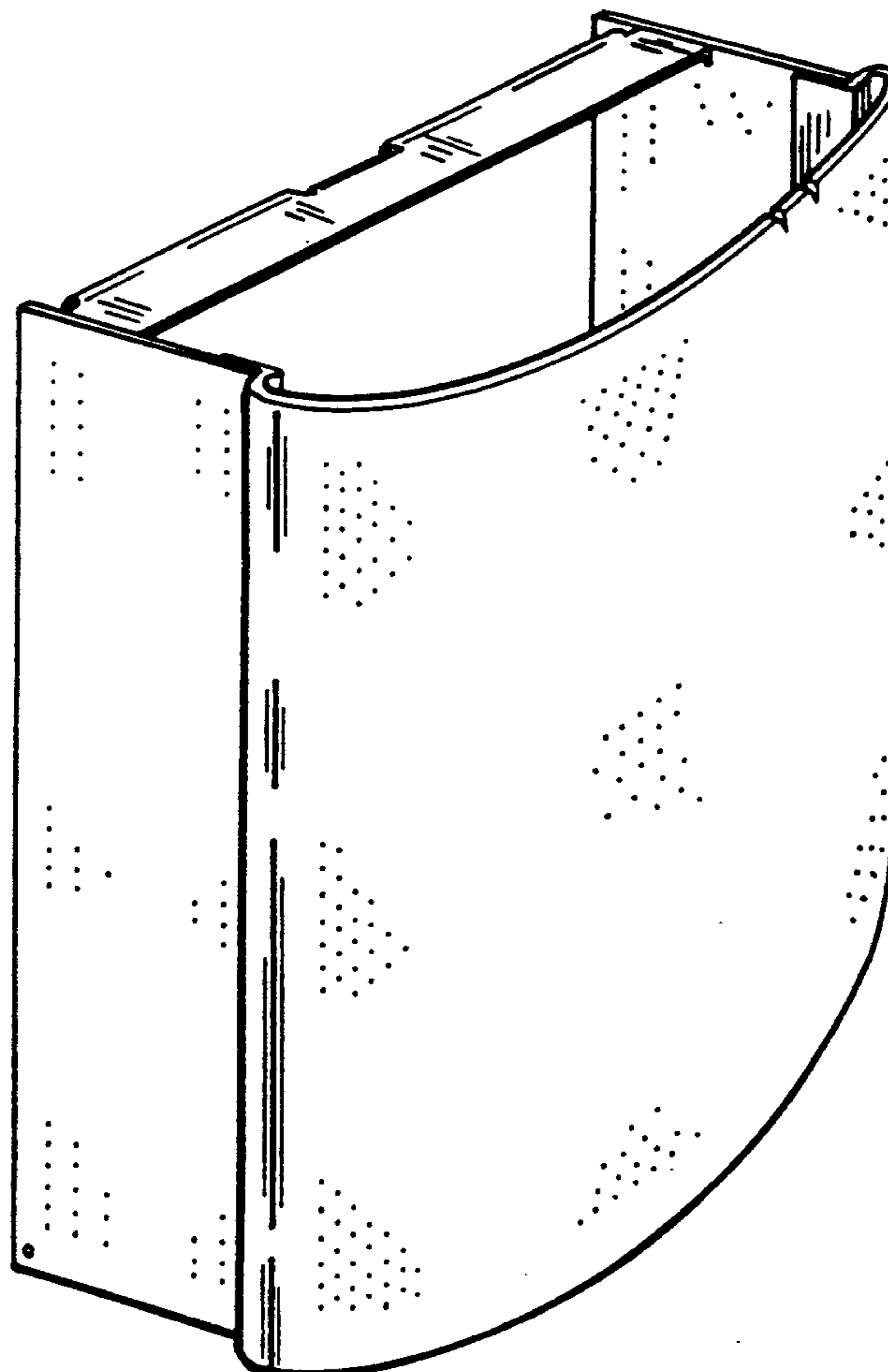
Primary Examiner—Alan P. Douglas
Assistant Examiner—Jeffrey Asch
Attorney, Agent, or Firm—A. Sidney Johnston; Albert P. Cefalo; Barry N. Young

[57] **CLAIM**

The ornamental design for a cover for wall mounted electronic equipment, as shown and described.

DESCRIPTION

FIG. 1 is a top plan view of the cover for wall mounted electronic equipment showing our new design; FIG. 2 is a left side elevational view, the right side being a mirror image thereof; FIG. 3 is a front elevational view thereof; FIG. 4 is a bottom plan view thereof; FIG. 5 is a rear elevational view thereof; and, FIG. 6 is a front left side perspective view thereof.



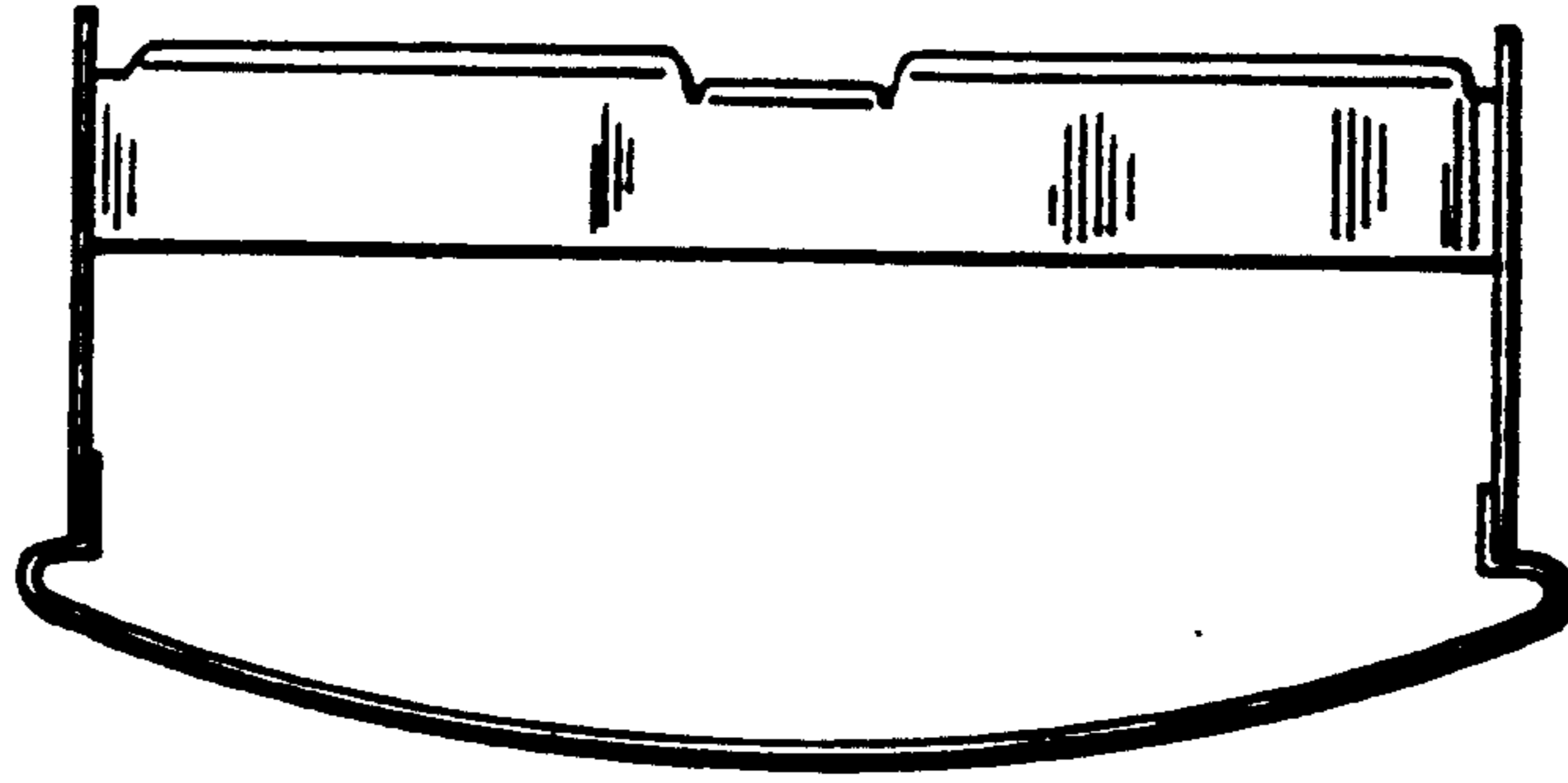


FIG. 1

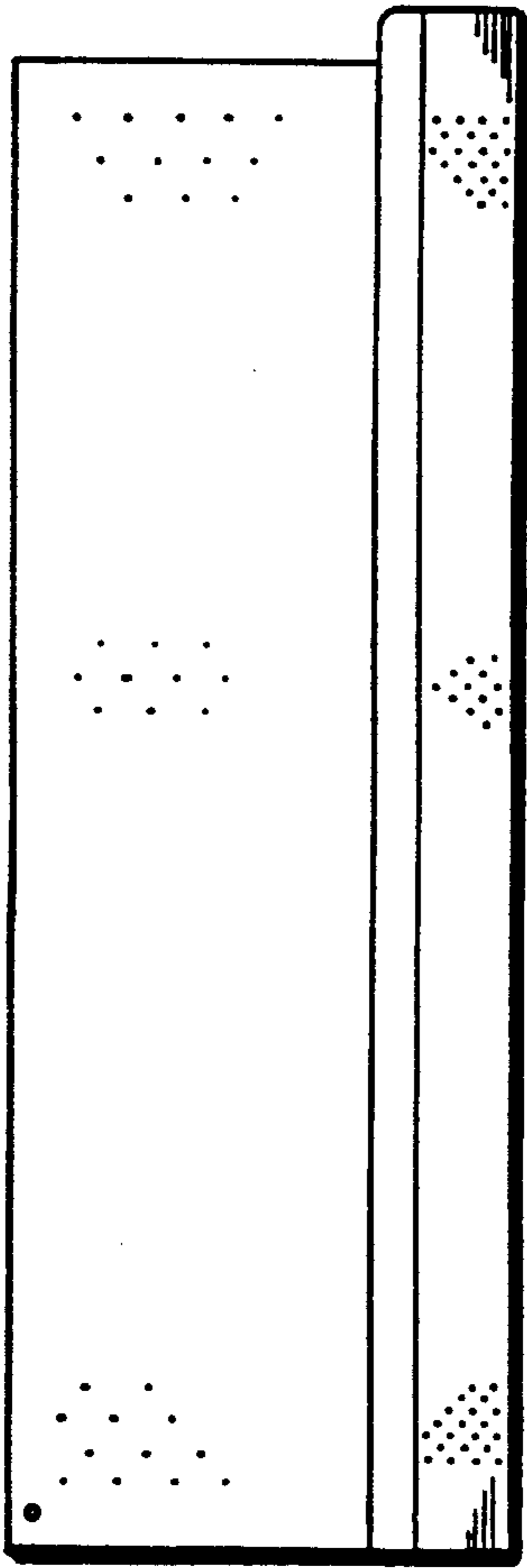


FIG. 2

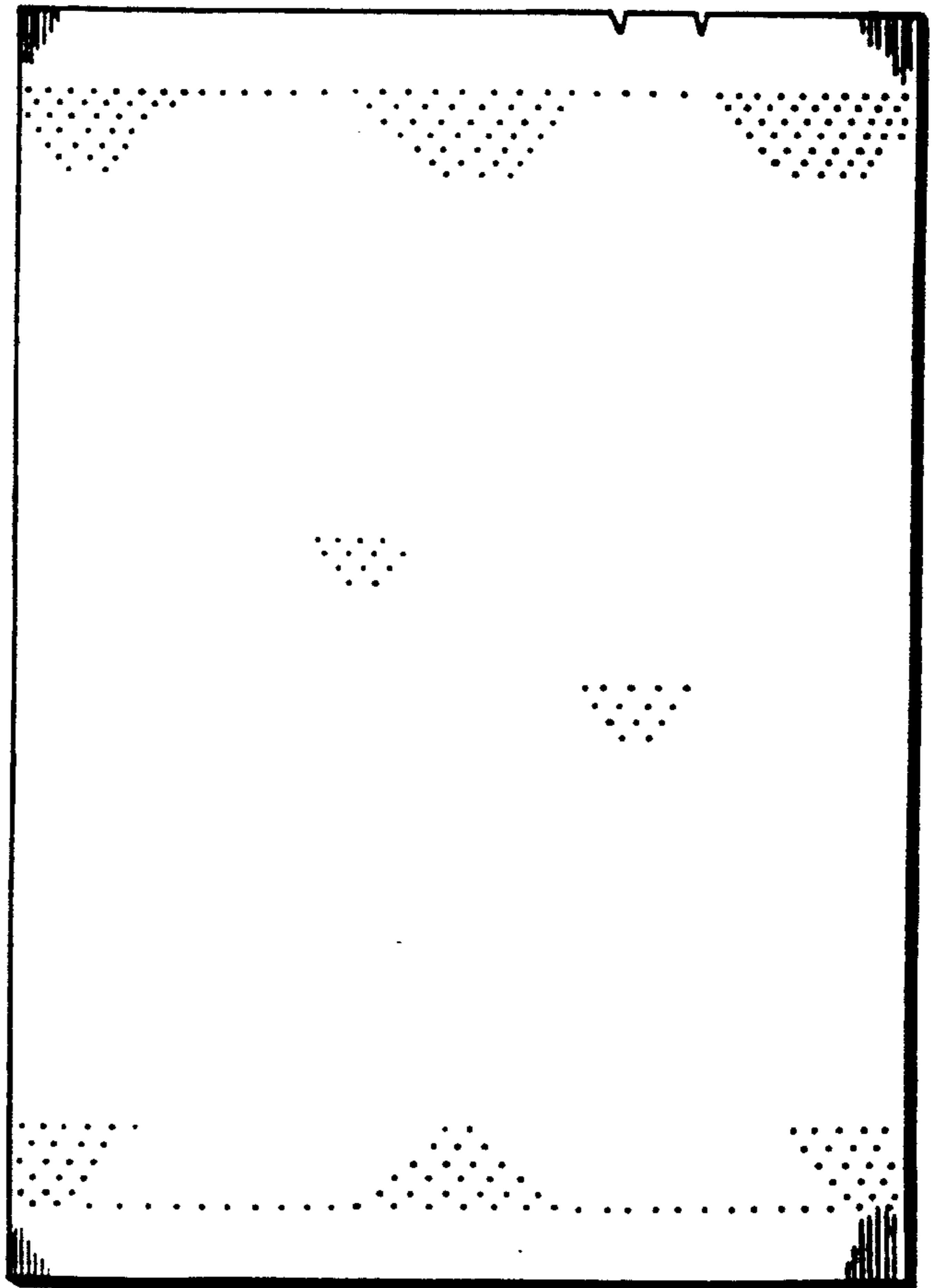


FIG. 3

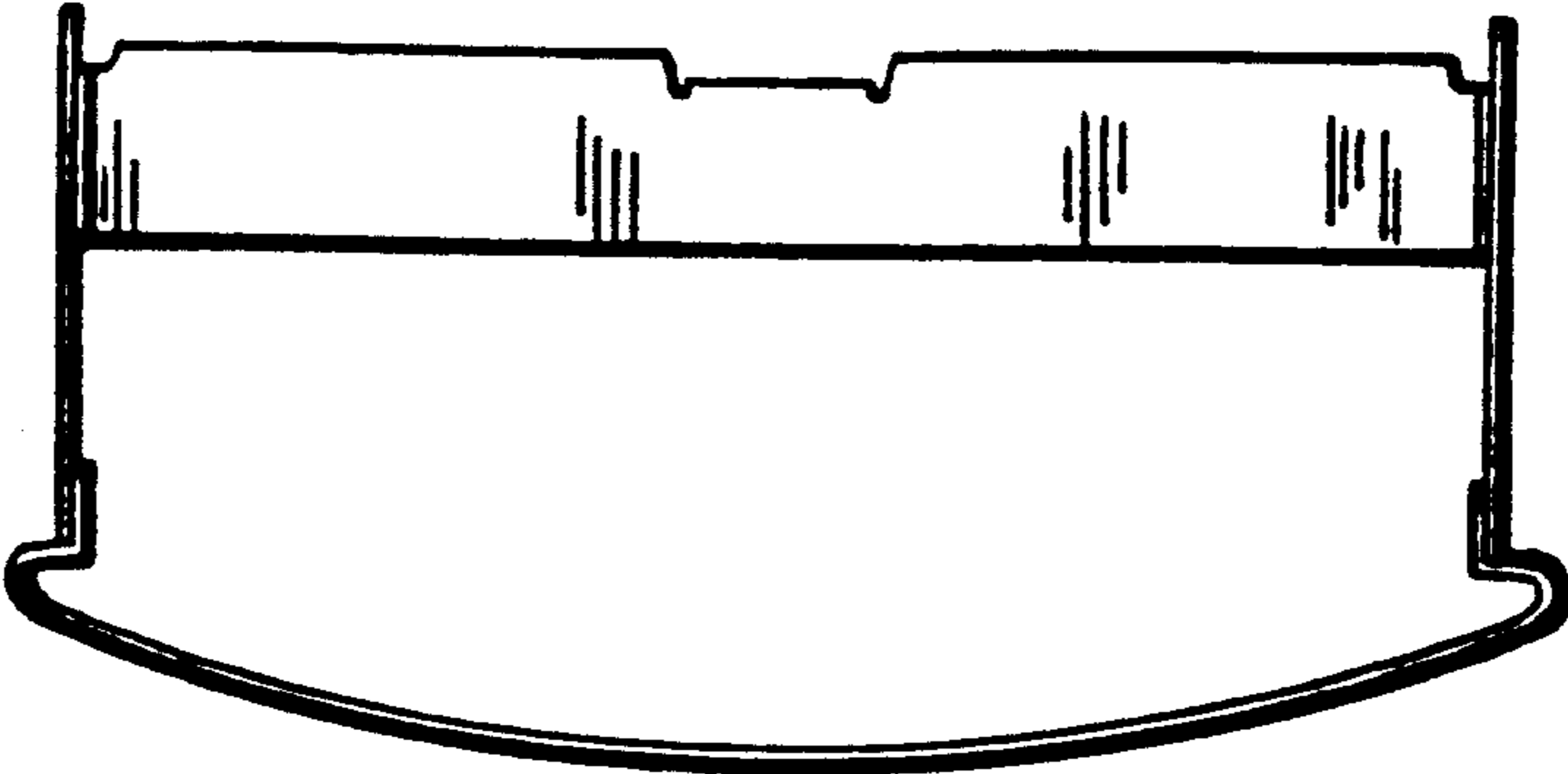


FIG. 4

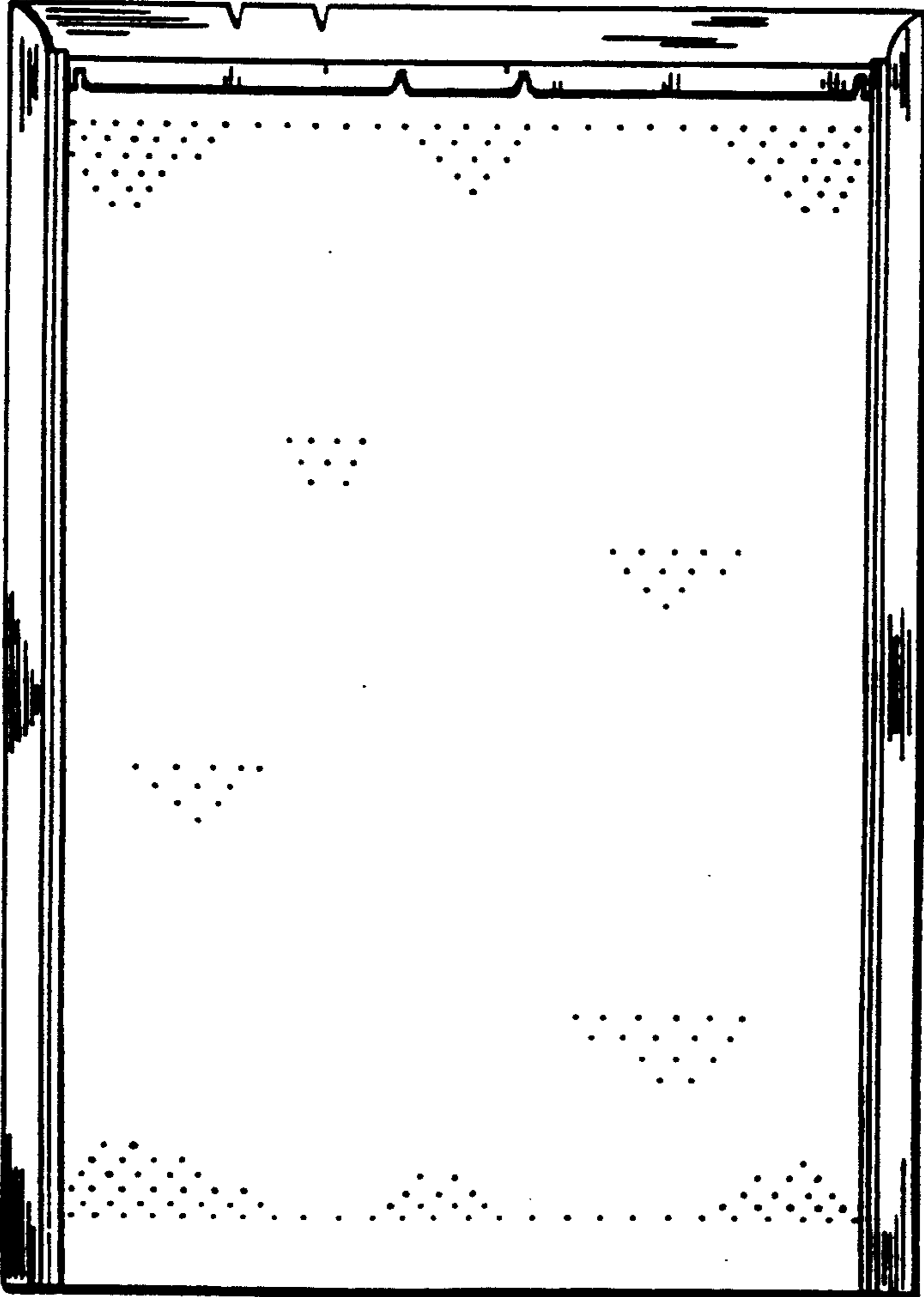


FIG. 5

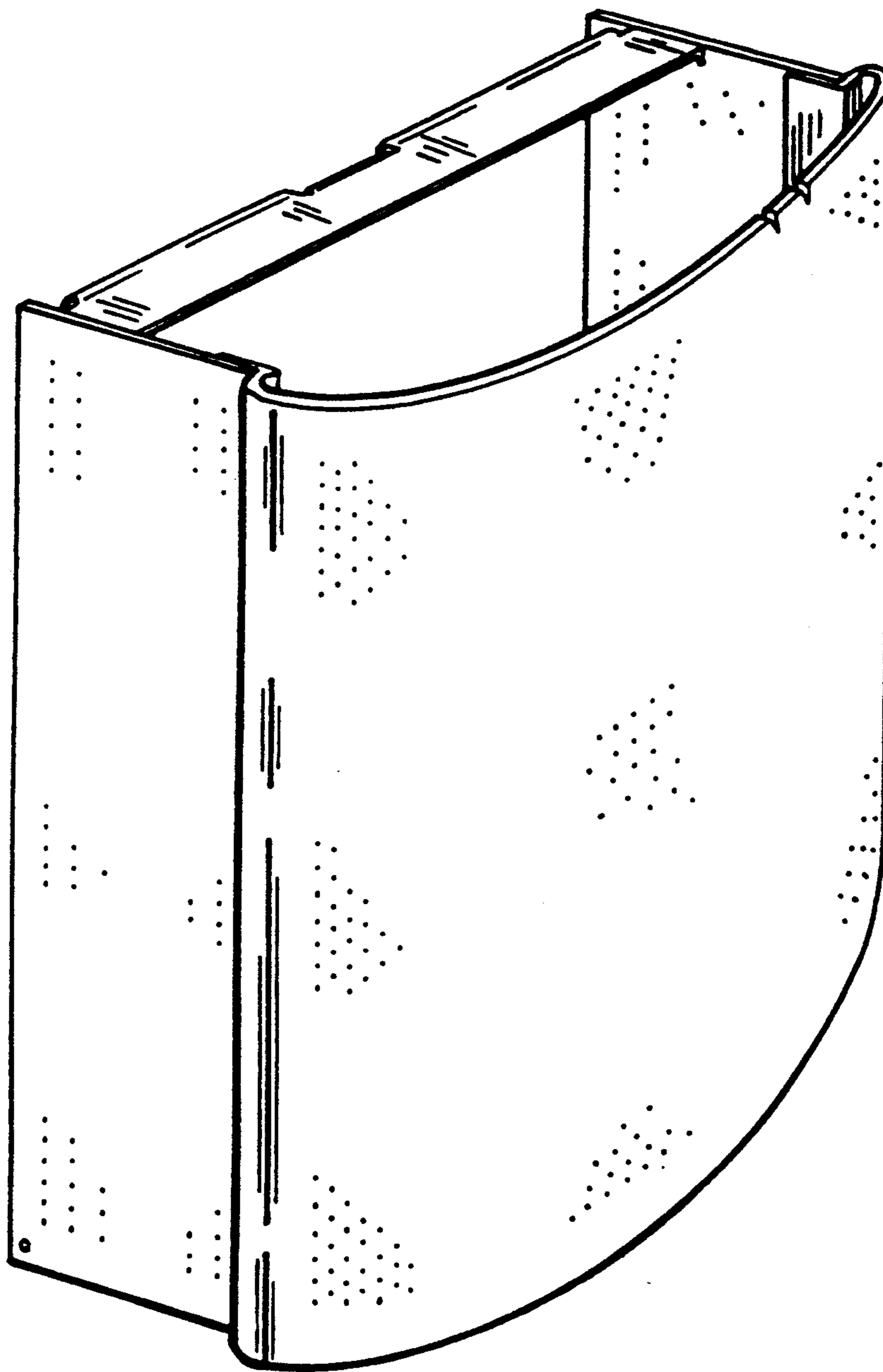


FIG. 6