



US00D342520S

United States Patent [19]
Totsuka

[11] **Patent Number: Des. 342,520**

[45] **Date of Patent: ** Dec. 21, 1993**

[54] **COMBINED RADIO TUNER AND CLOCK**

[56] **References Cited**

[75] **Inventor: Keiichi Totsuka, Tokyo, Japan**

U.S. PATENT DOCUMENTS

[73] **Assignee: Sony Corporation, Tokyo, Japan**

- D. 262,880 2/1982 Van de Ven D10/2
- D. 303,968 10/1989 Tsujimoto D10/2
- D. 316,821 5/1991 Wada D10/24
- D. 318,471 7/1991 Wada D14/170

[**] **Term: 14 Years**

Primary Examiner—B. J. Bullock
Attorney, Agent, or Firm—Lewis H. Eslinger; Jay H. Maioli

[21] **Appl. No.: 815,364**

[57] **CLAIM**

[22] **Filed: Dec. 31, 1991**

The ornamental design for a combined radio tuner and clock, as shown and described.

[30] **Foreign Application Priority Data**

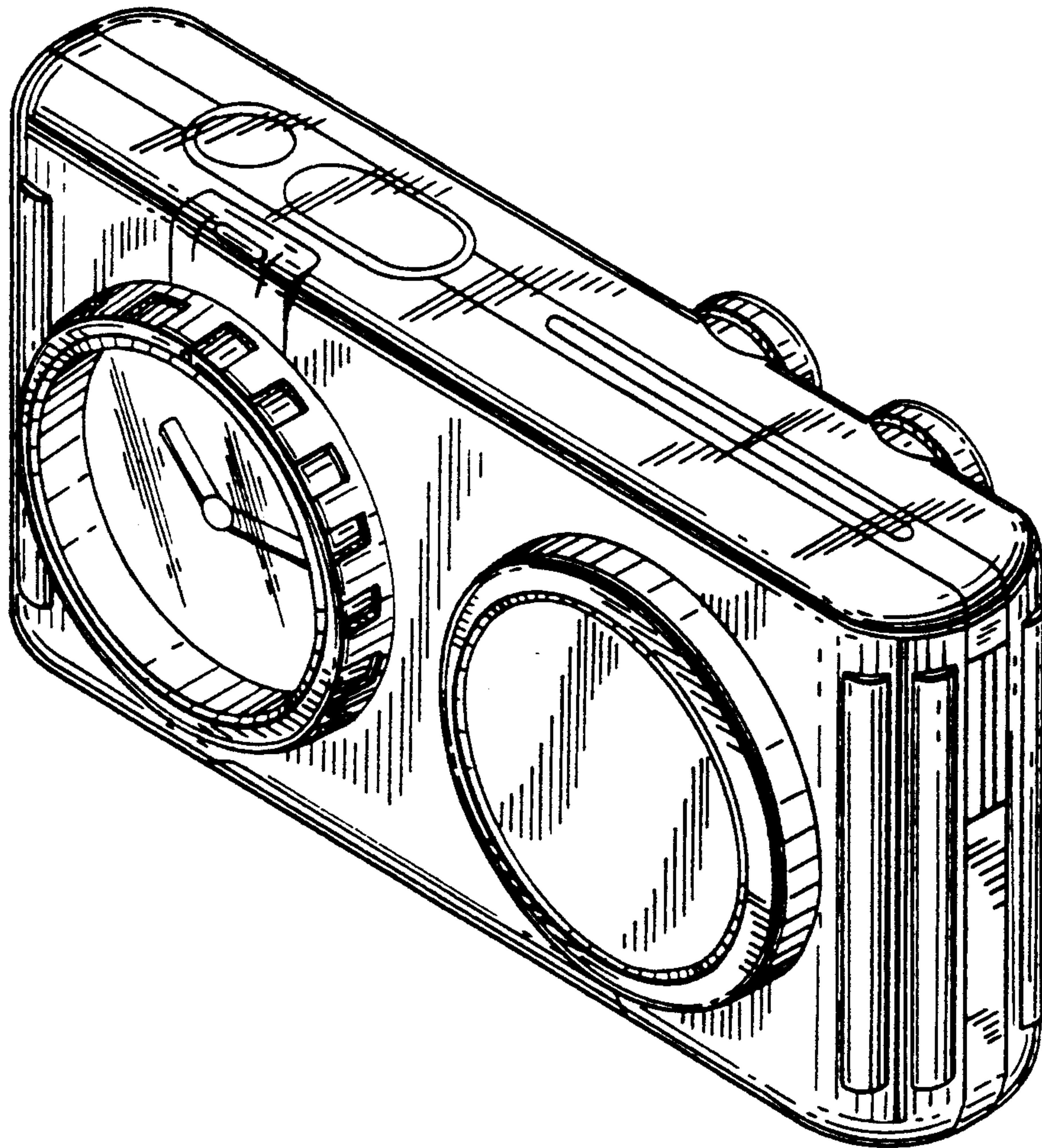
Jul. 31, 1991 [JP] Japan 3-22974

[52] **U.S. Cl. D14/170; D10/2; D14/195**

[58] **Field of Search D14/170, 188, 194, 197, D14/198; D10/2, 24; 368/10, 276, 285; 455/343, 344, 347, 350, 351**

DESCRIPTION

FIG. 1 is a front view of a combined radio tuner and clock showing my new design;
FIG. 2 is a right-side view thereof;
FIG. 3 is a left-side view thereof;
FIG. 4 is a rear view thereof;
FIG. 5 is a top view thereof;
FIG. 6 is a bottom view thereof; and,
FIG. 7 is a perspective view thereof.



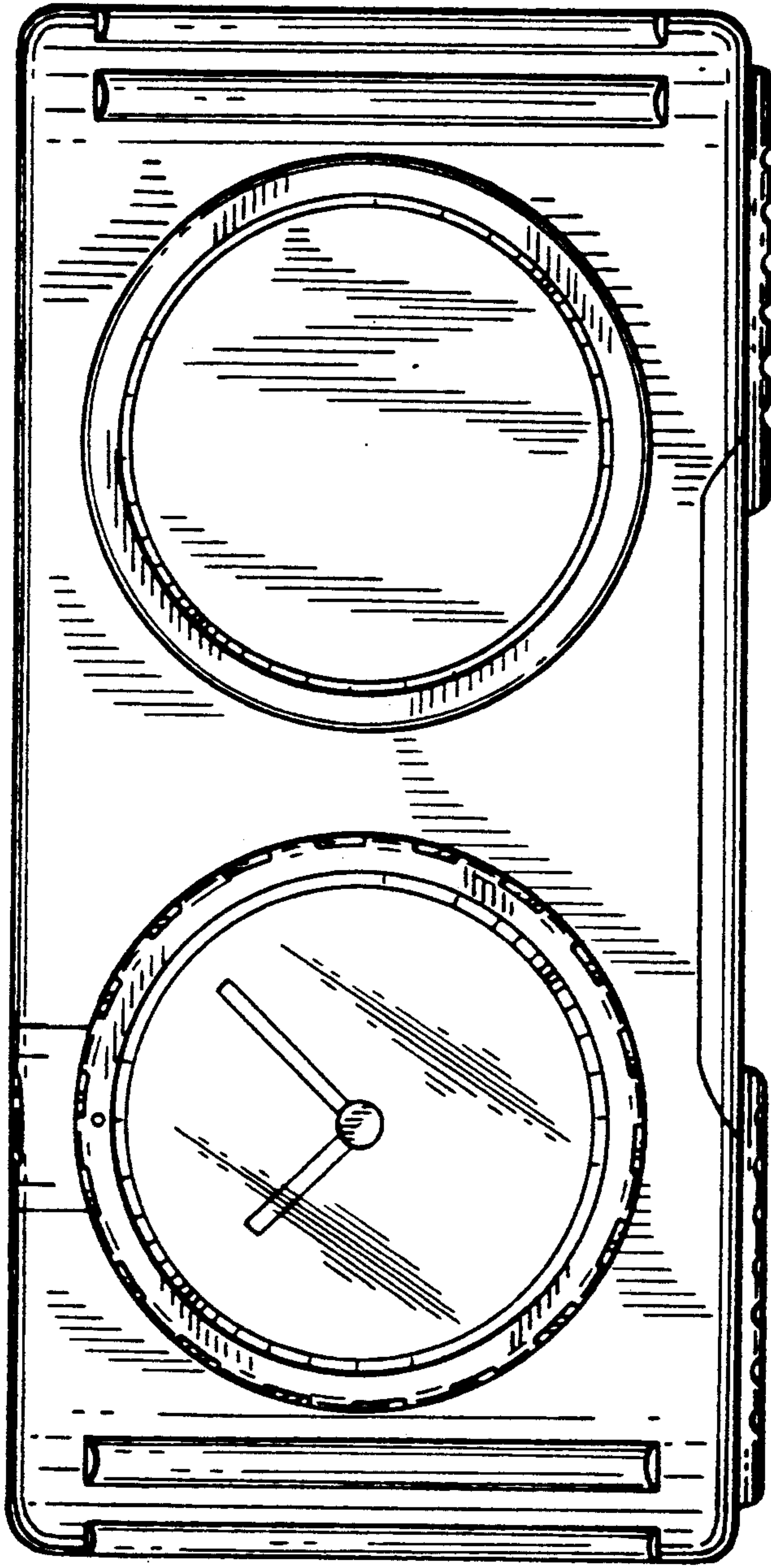


FIG. 1

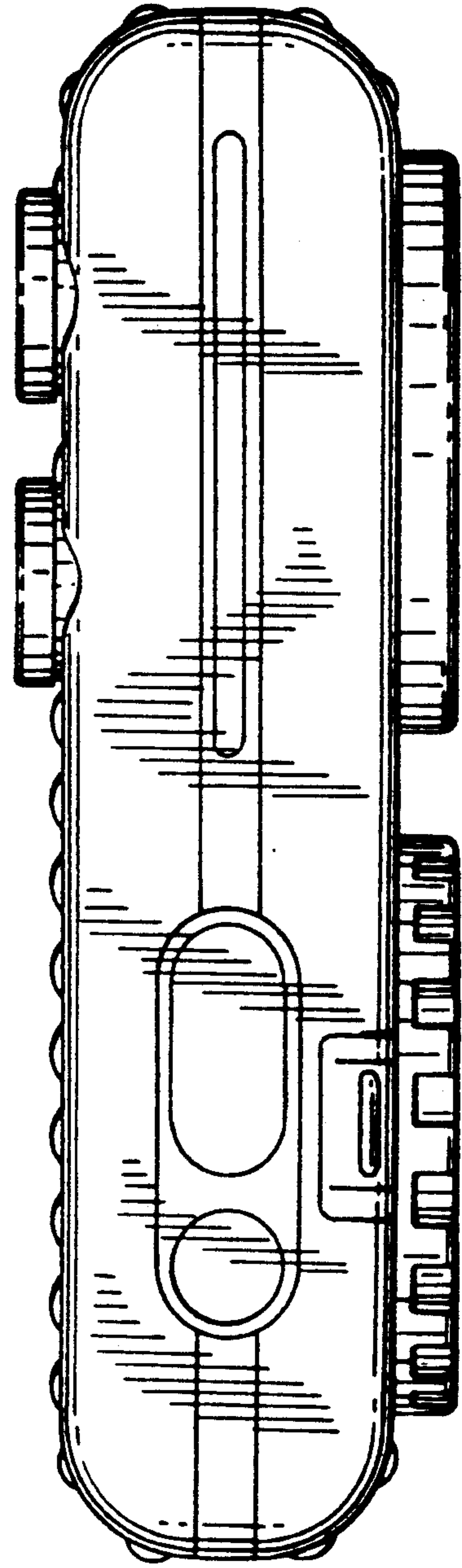


FIG. 5

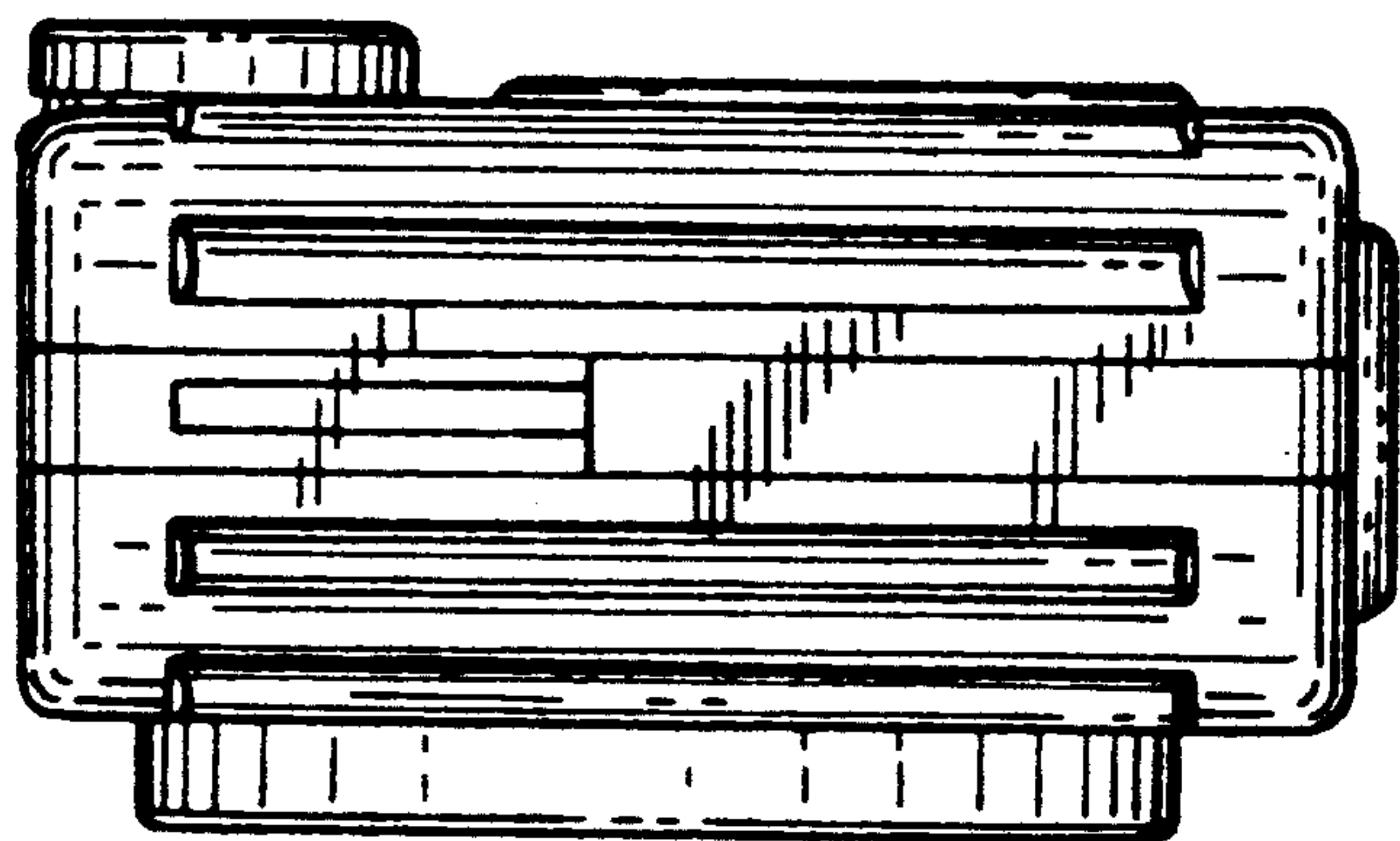


FIG. 2

FIG. 6

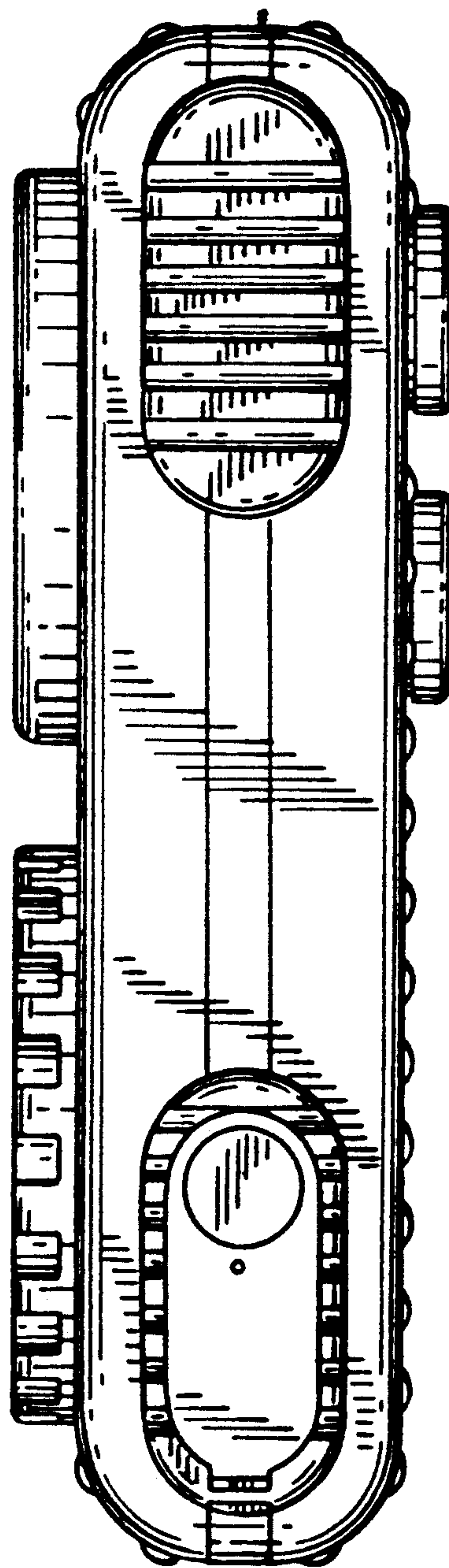


FIG. 4

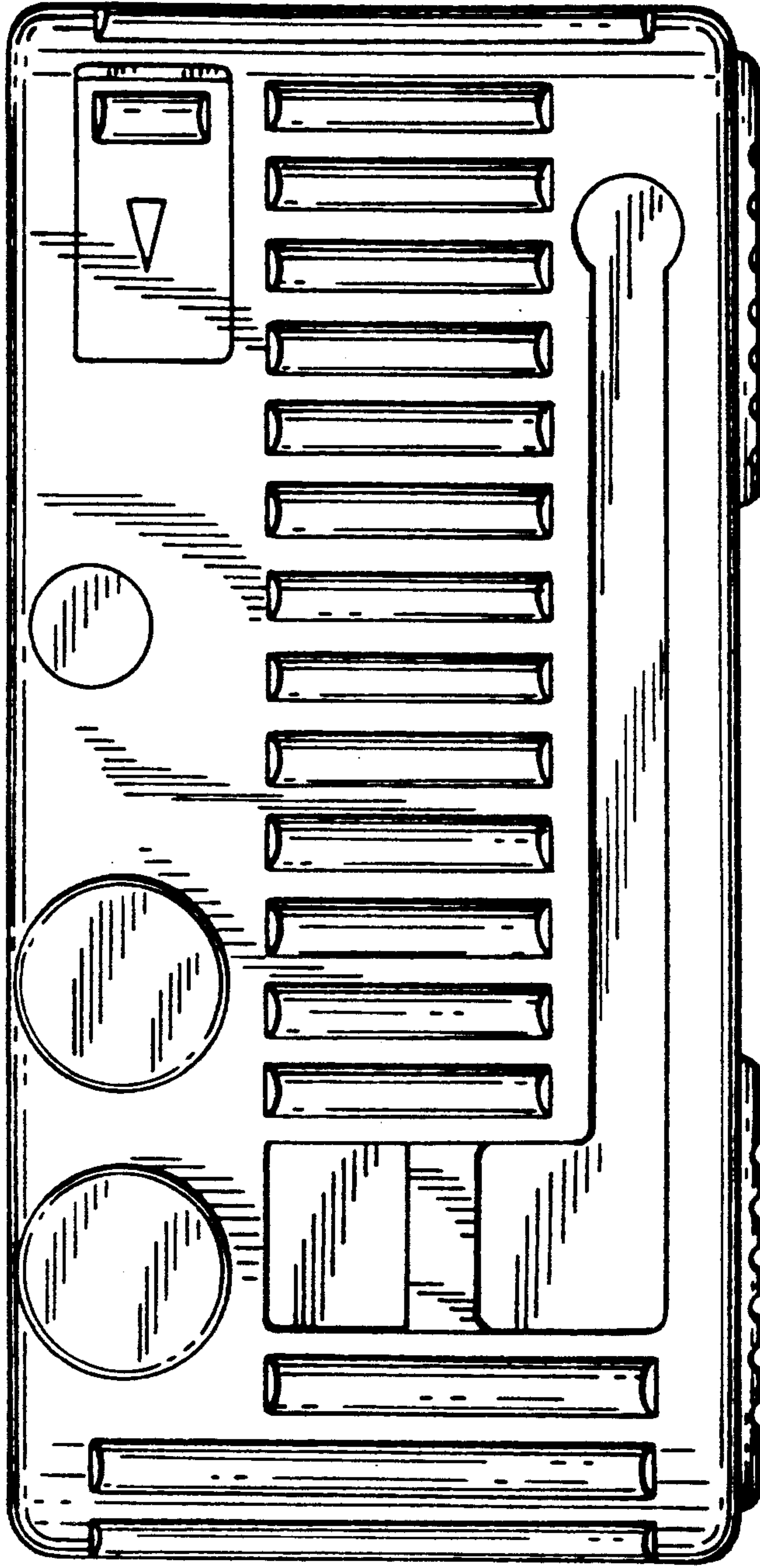
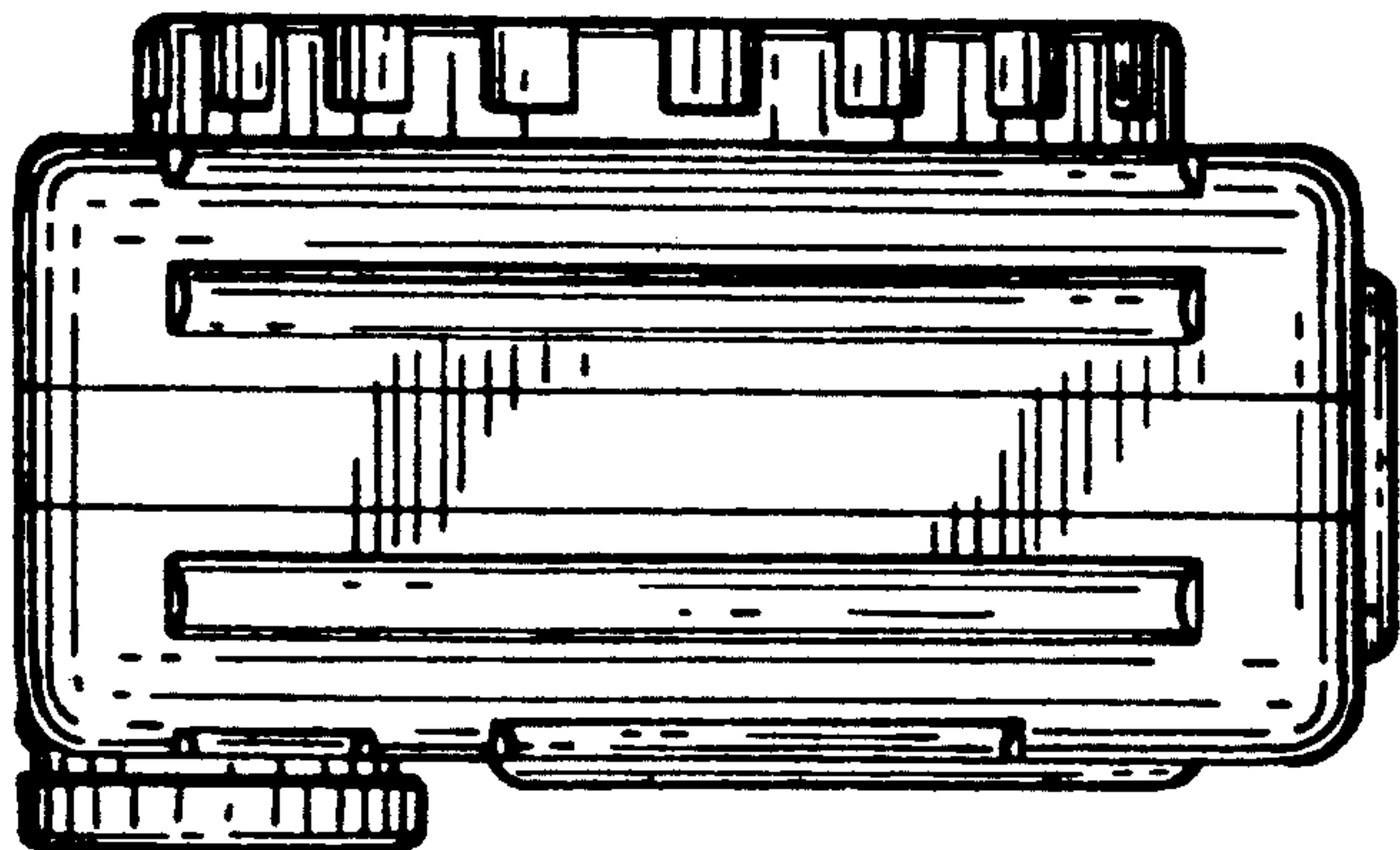


FIG. 3



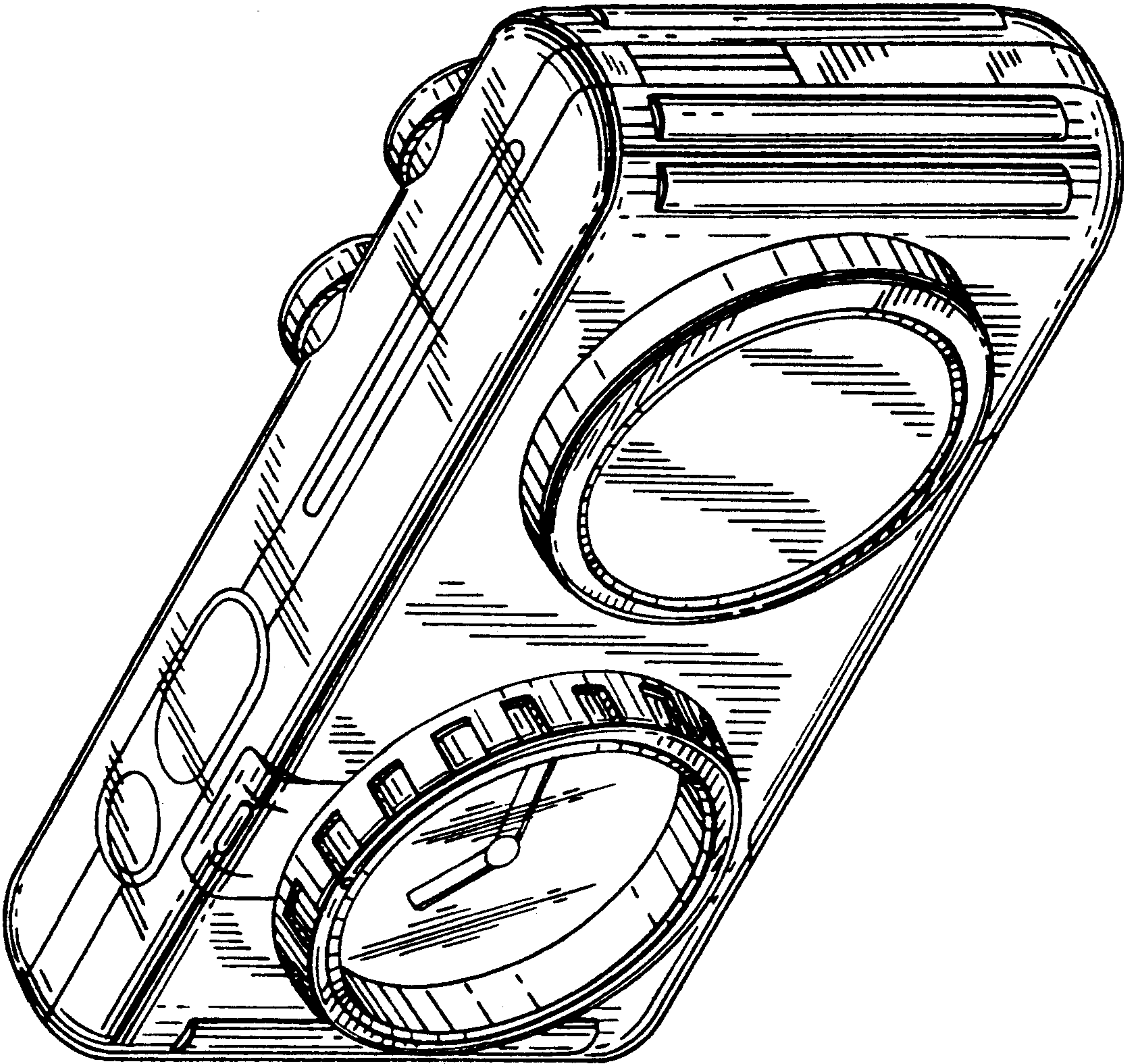


FIG. 7