



US00D342517S

United States Patent [19]

Bosson

[11] Patent Number: **Des. 342,517**

[45] Date of Patent: **** Dec. 21, 1993**

[54] VIDEO CONFERENCE CABINET

[75] Inventor: **Peter T. Bosson**, London, England

[73] Assignee: **British Telecommunications plc**,
London, England

[**] Term: **14 Years**

[21] Appl. No.: **820,999**

[22] Filed: **Jan. 15, 1992**

[30] Foreign Application Priority Data

Jul. 15, 1991 [GB] United Kingdom 2015990

Jul. 15, 1991 [GB] United Kingdom 2015991

[52] U.S. Cl. **D14/133**

[58] Field of Search **D14/124-134,**
D14/299; 358/60, 237-239, 254-255; 312/7.2

[56] References Cited

U.S. PATENT DOCUMENTS

D. 164,665 10/1951 Barofsky D14/133

D. 308,676 6/1990 Newman D14/133

D. 317,602 6/1991 Mikami et al. D14/133

D. 322,433 12/1991 Renk, Jr. et al. D14/133

OTHER PUBLICATIONS

Stereo Review, Nov. 1986, p. 49, Zenith Digital Color TV.

"Fly Me" brochure, VideoTelecom, Austin, Tex.

Primary Examiner—Theodore M. Shooman
Attorney, Agent, or Firm—Nixon & Vanderhuy

[57] CLAIM

The ornamental design for a video conference cabinet, as shown and described.

DESCRIPTION

FIG. 1 is a top, front and left side perspective view of a video conference cabinet according to the present design;

FIG. 2 is a top plan view thereof;

FIG. 3 is a front elevational view thereof;

FIG. 4 is a right side elevational view thereof, the left side elevational view being a mirror image thereof;

FIG. 5 is a rear elevational view thereof;

FIG. 6 is a bottom plan view thereof;

FIG. 7 is a top, front and left side perspective view of a video conference cabinet according to a further embodiment of the present design;

FIG. 8 is a top plan view thereof;

FIG. 9 is a front elevational view thereof;

FIG. 10 is a right side elevational view thereof, the left side elevational view being a mirror image thereof;

FIG. 11 is a rear elevational view thereof; and,

FIG. 12 is a bottom plan view.

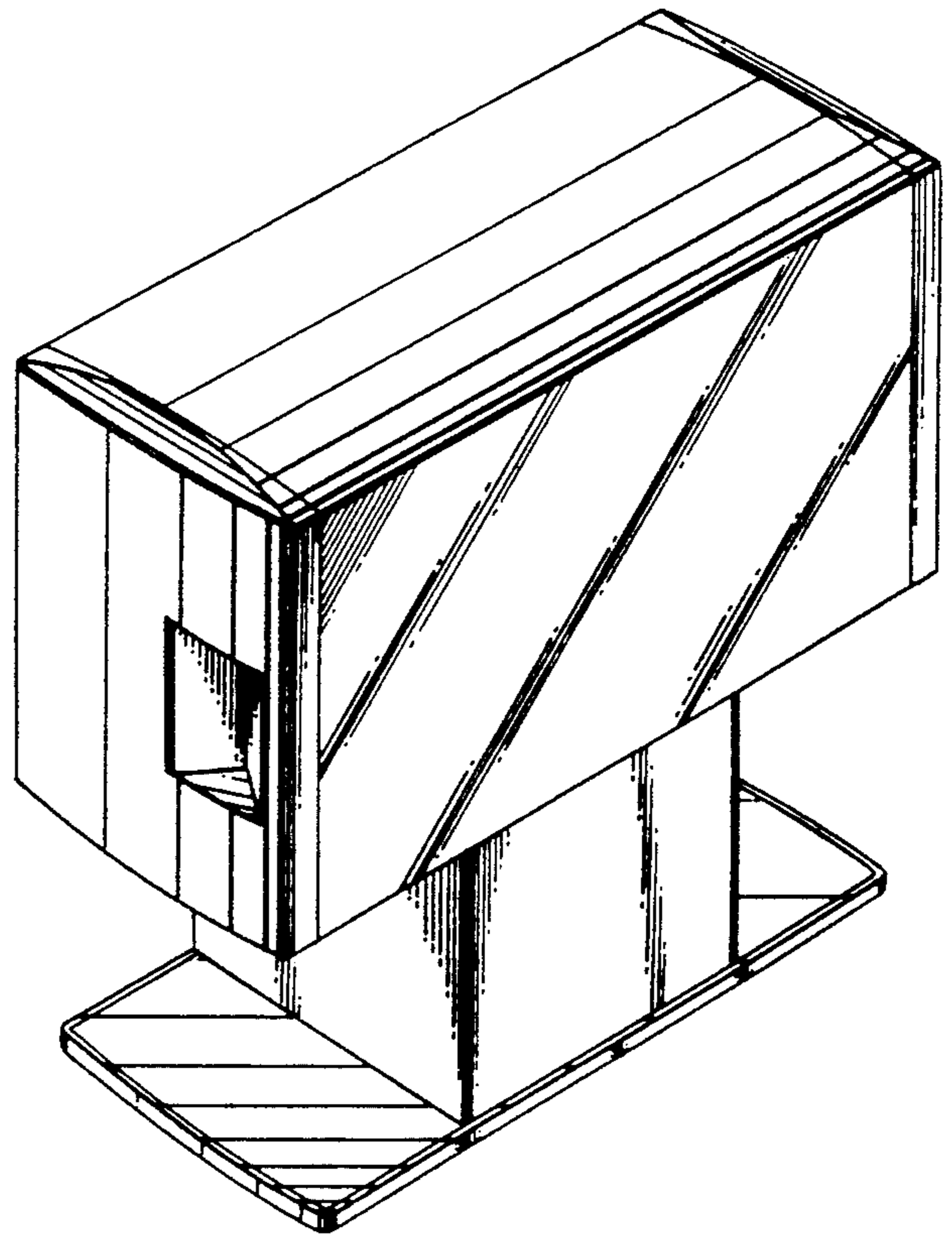
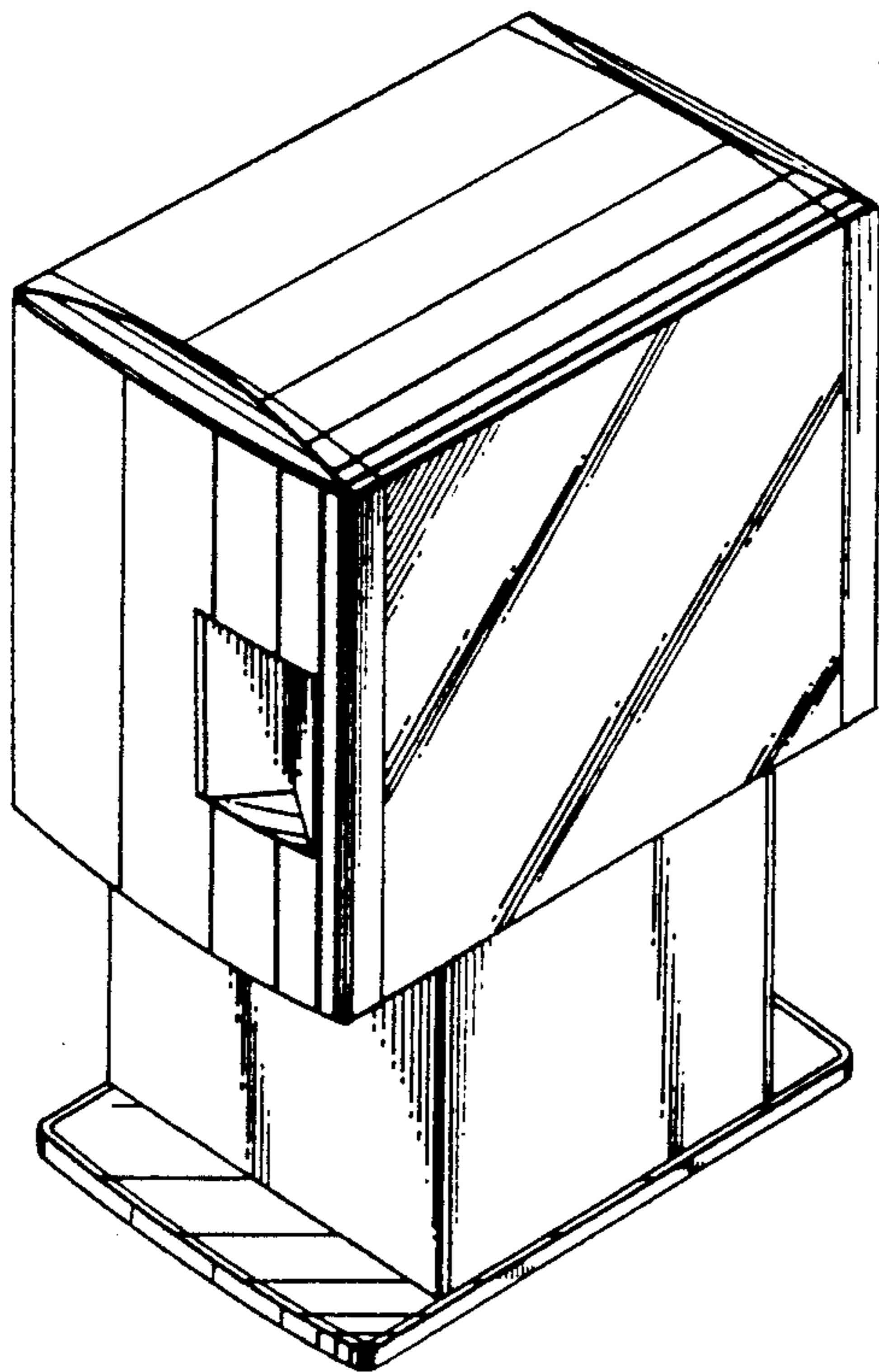


FIG. 1

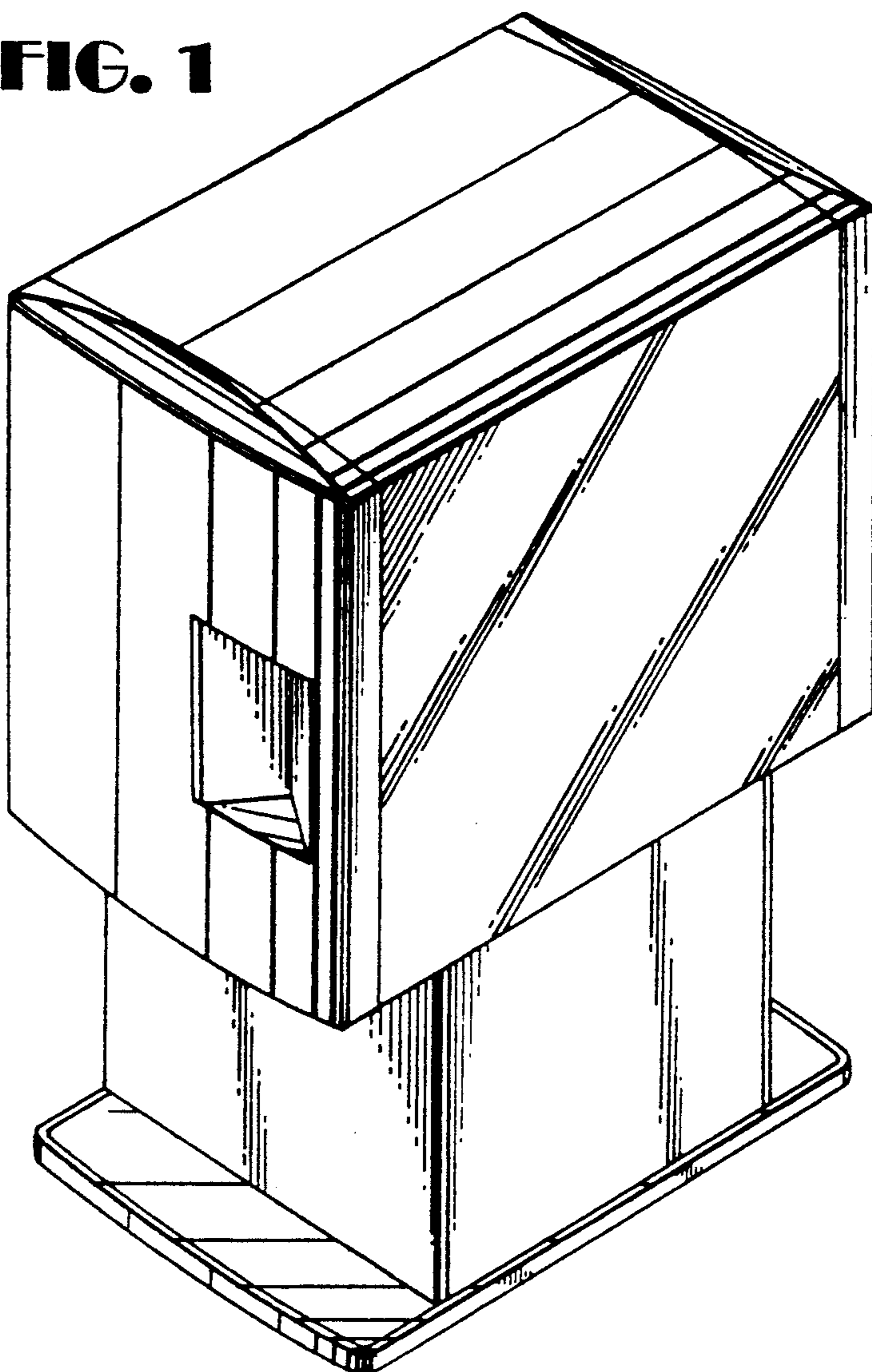
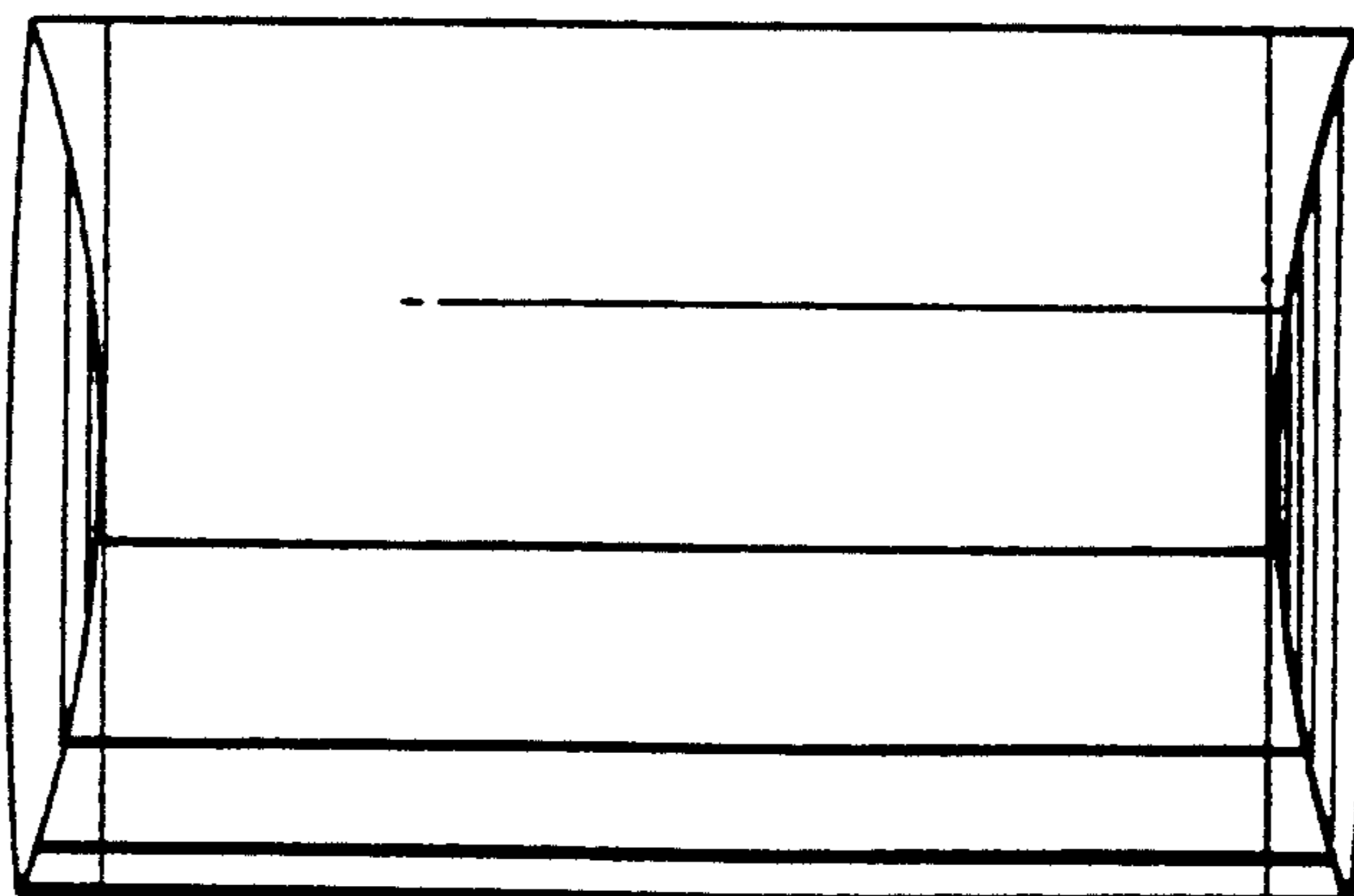


FIG. 2



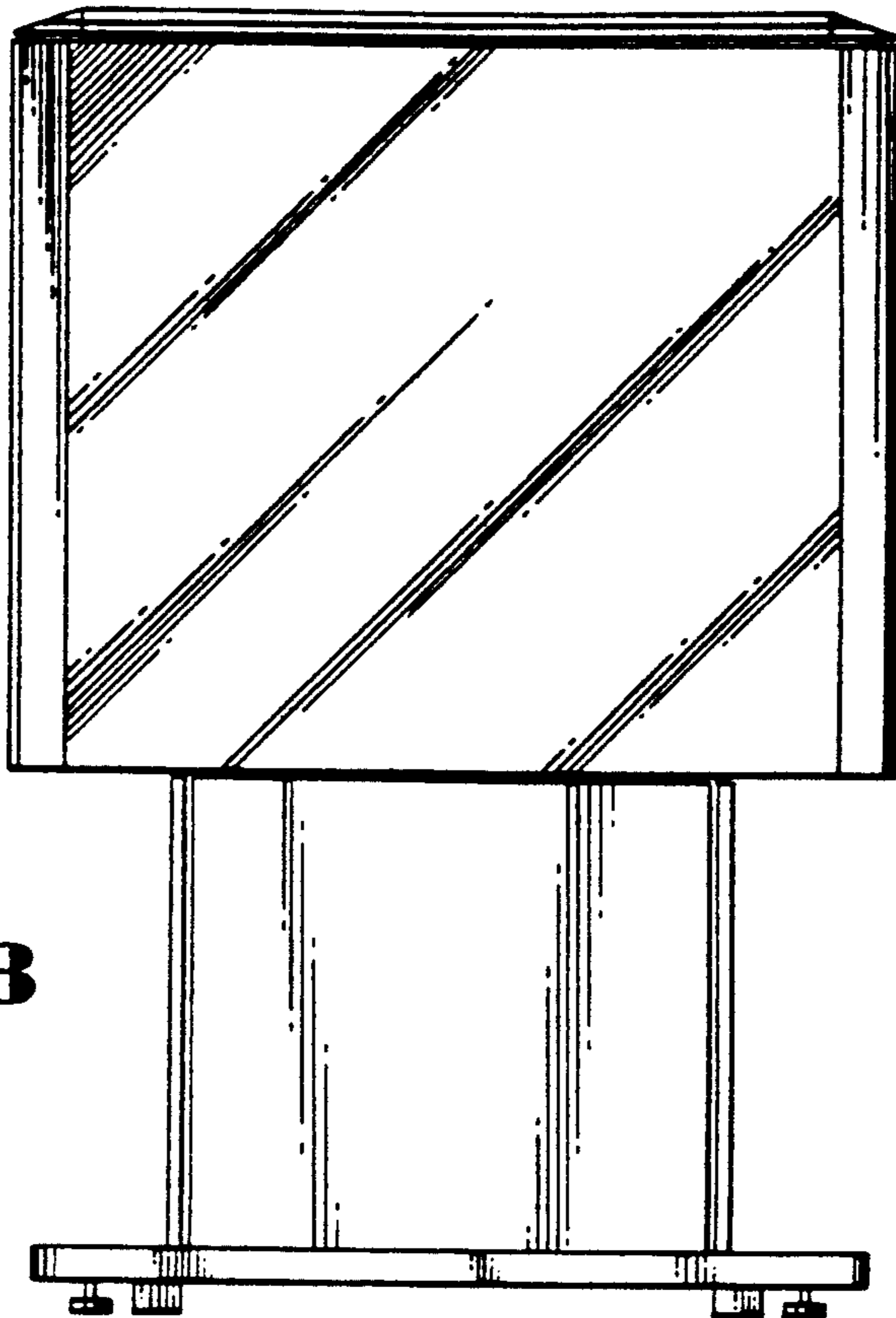


FIG. 3

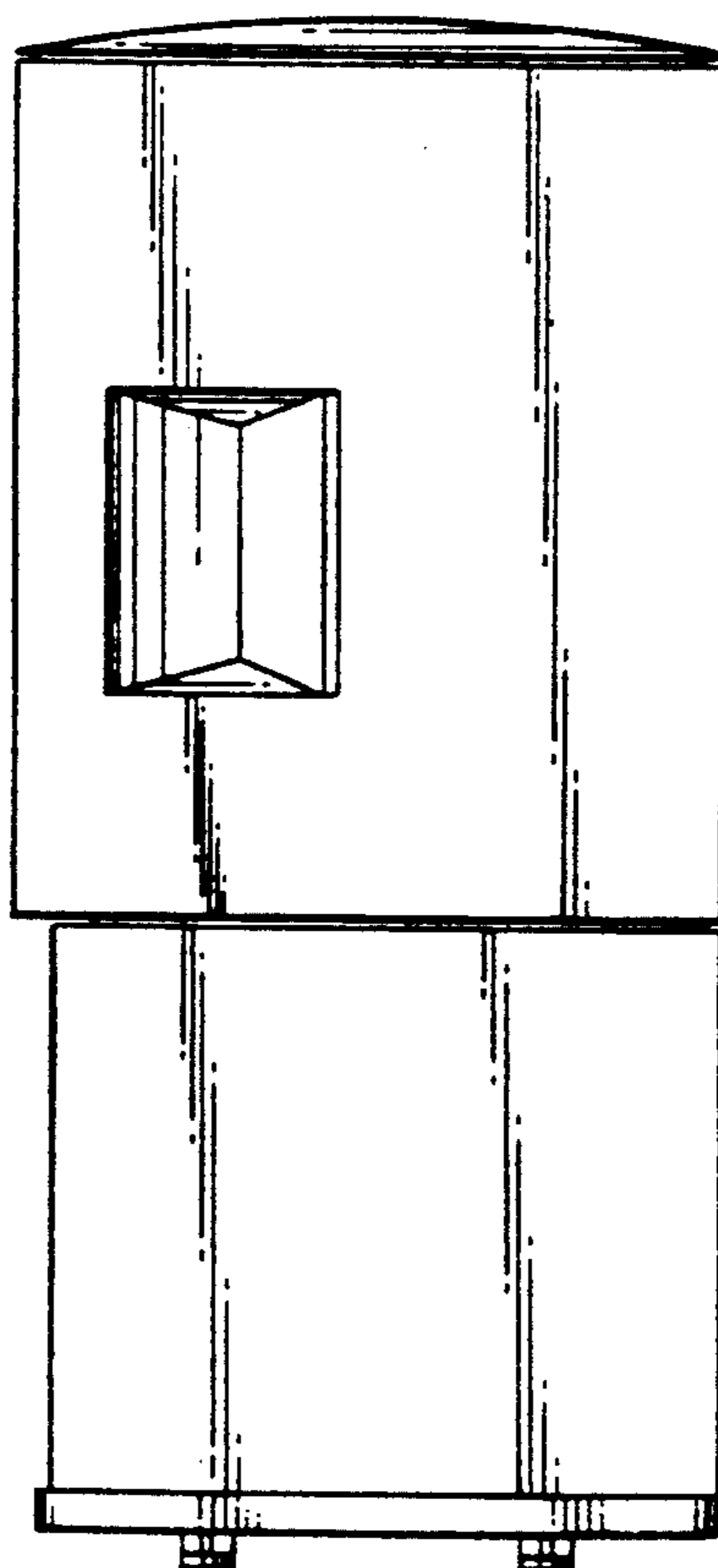


FIG. 4

FIG. 5

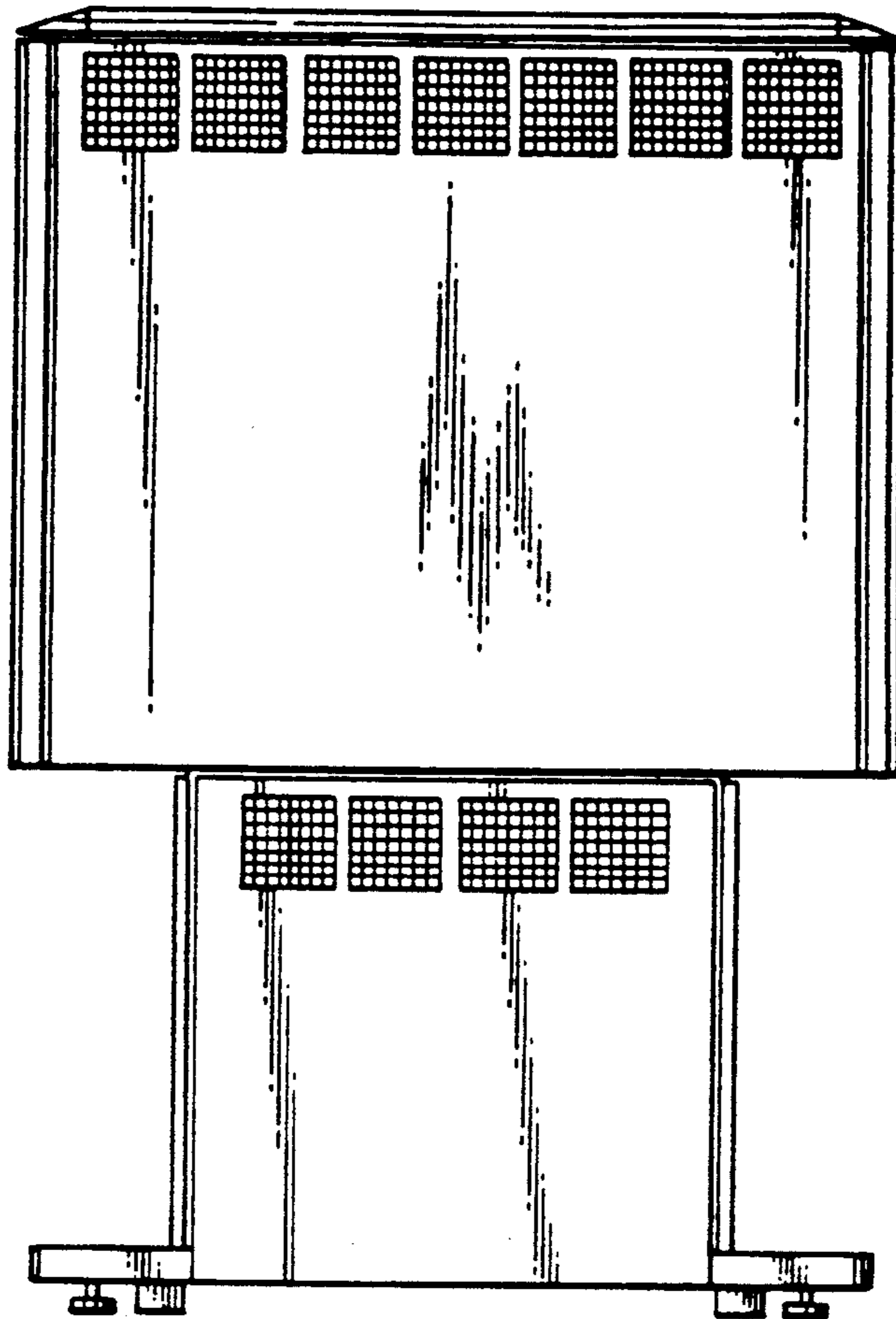


FIG. 6

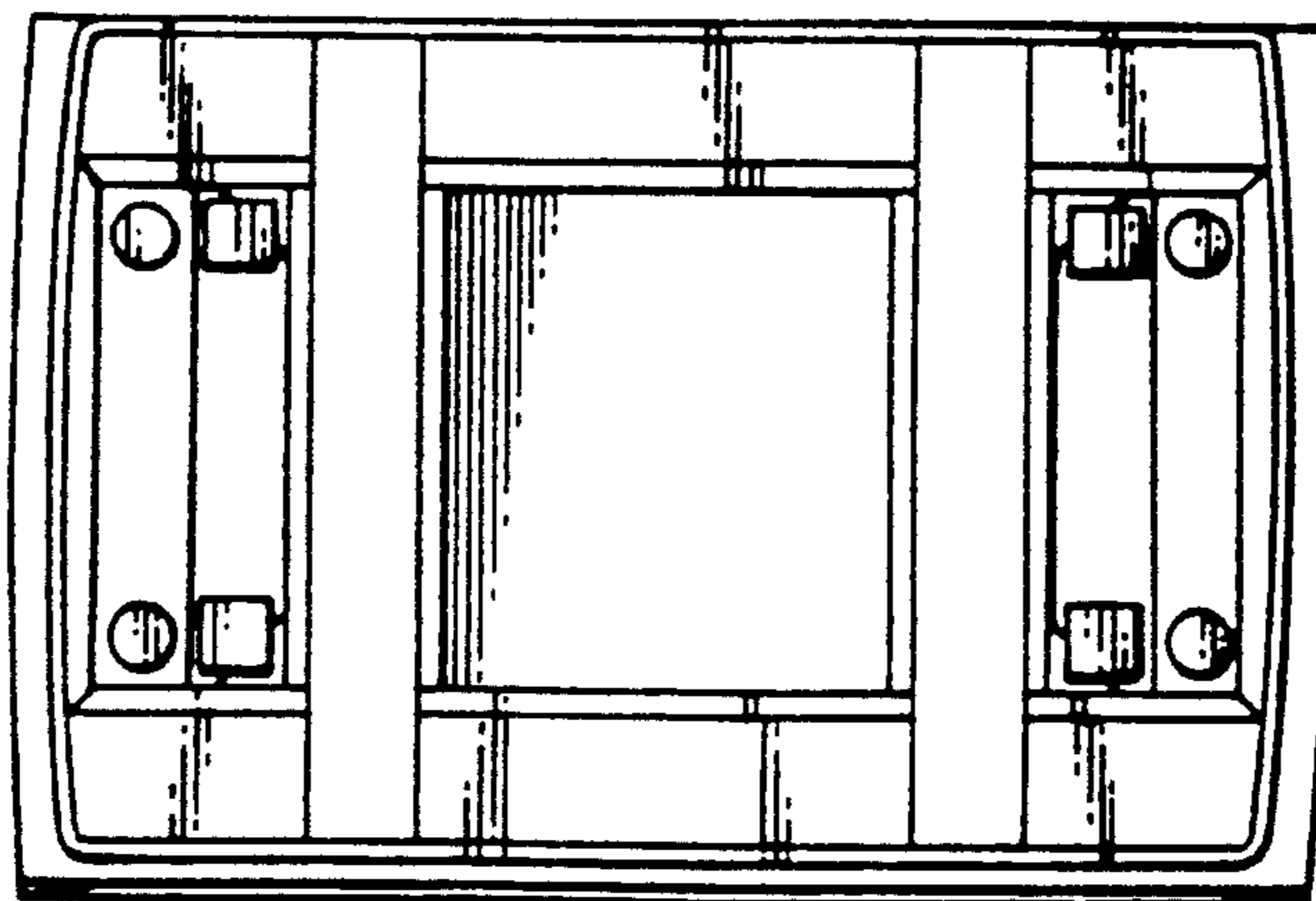


FIG. 7

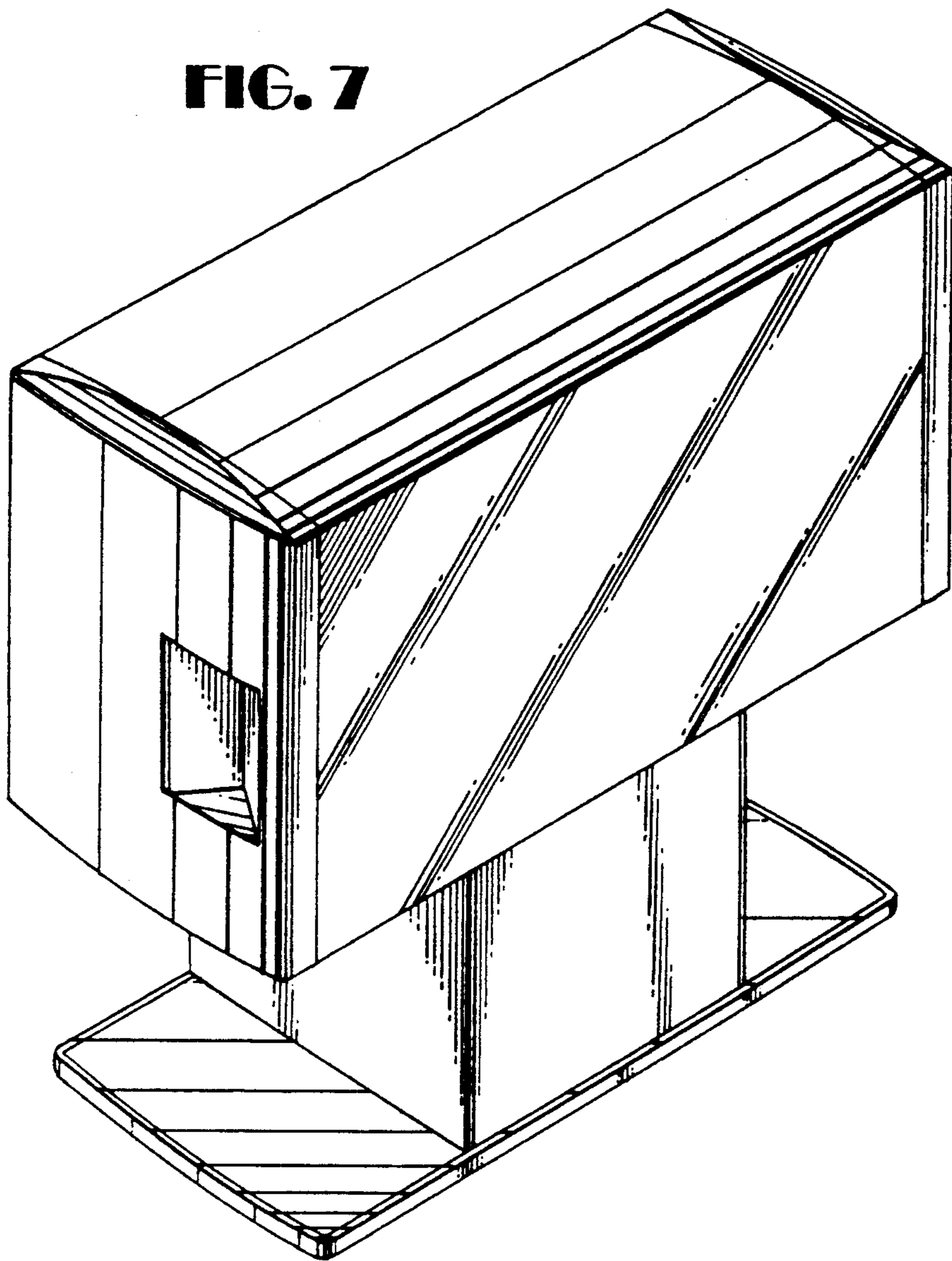
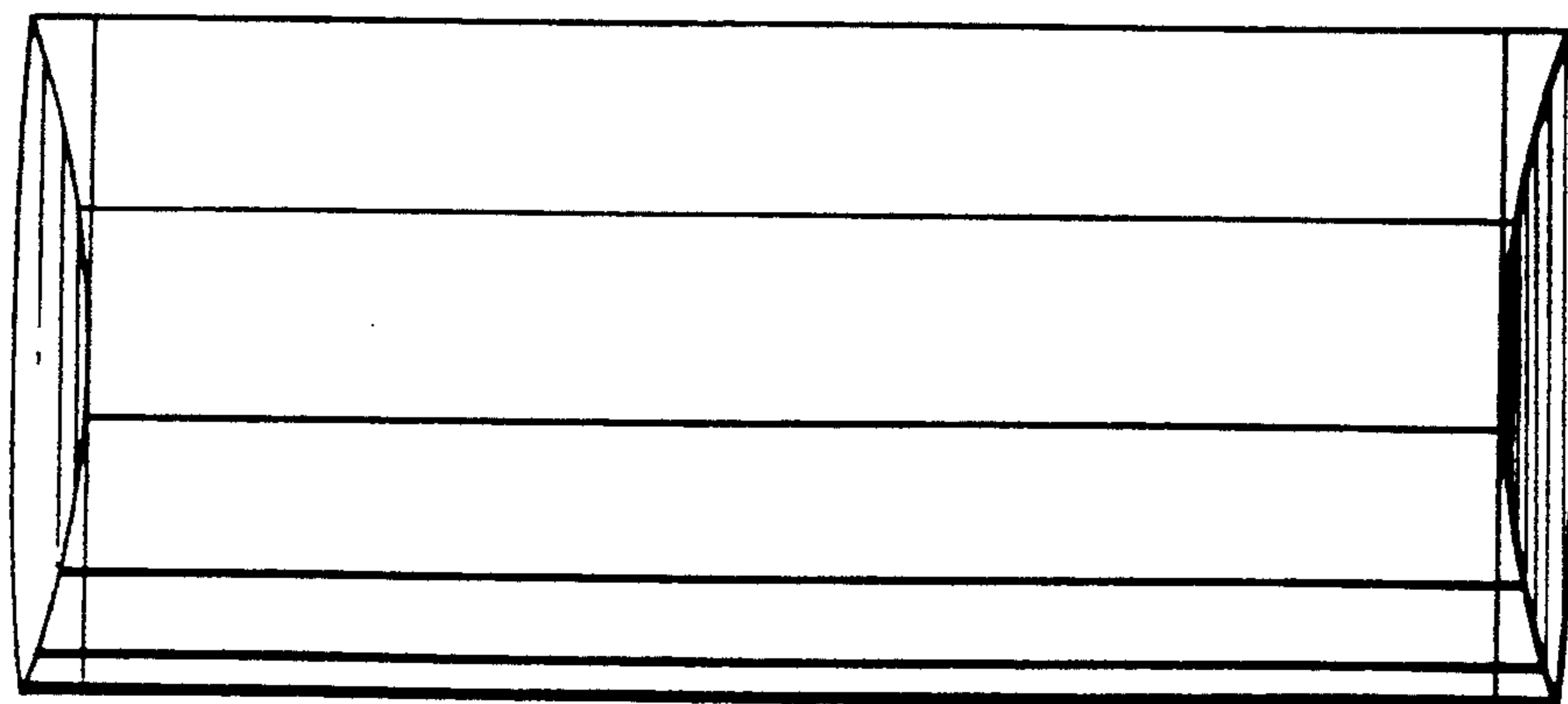


FIG. 8



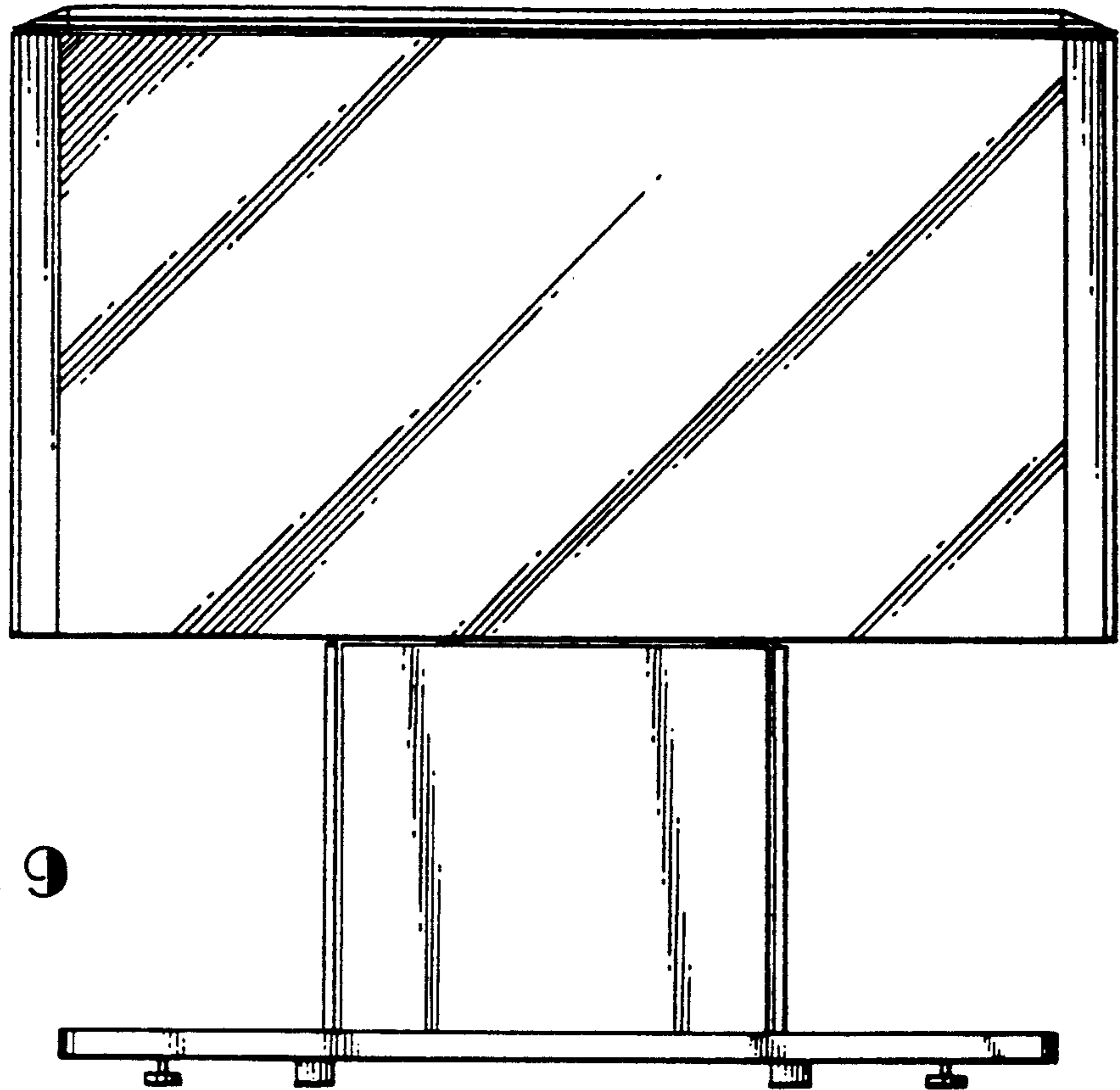


FIG. 9

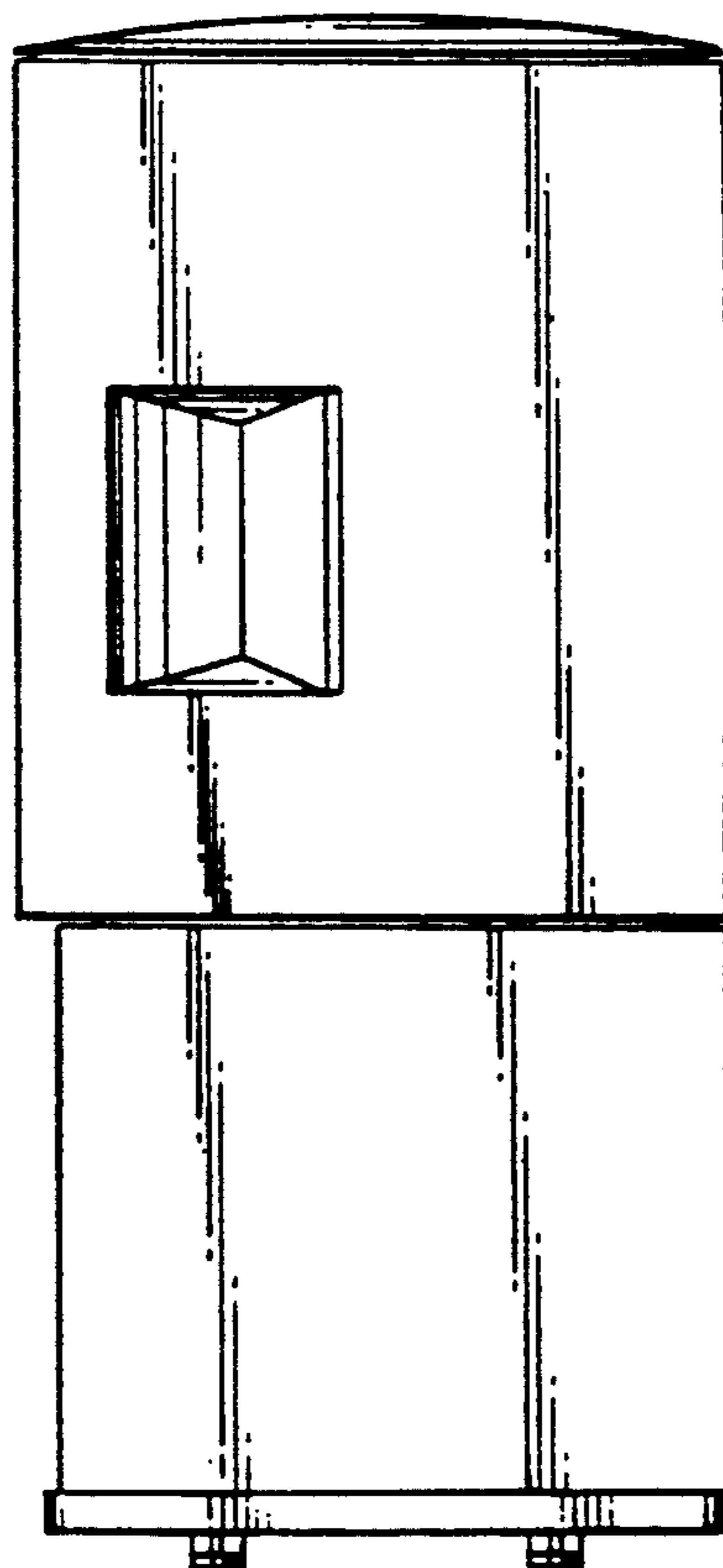


FIG. 10

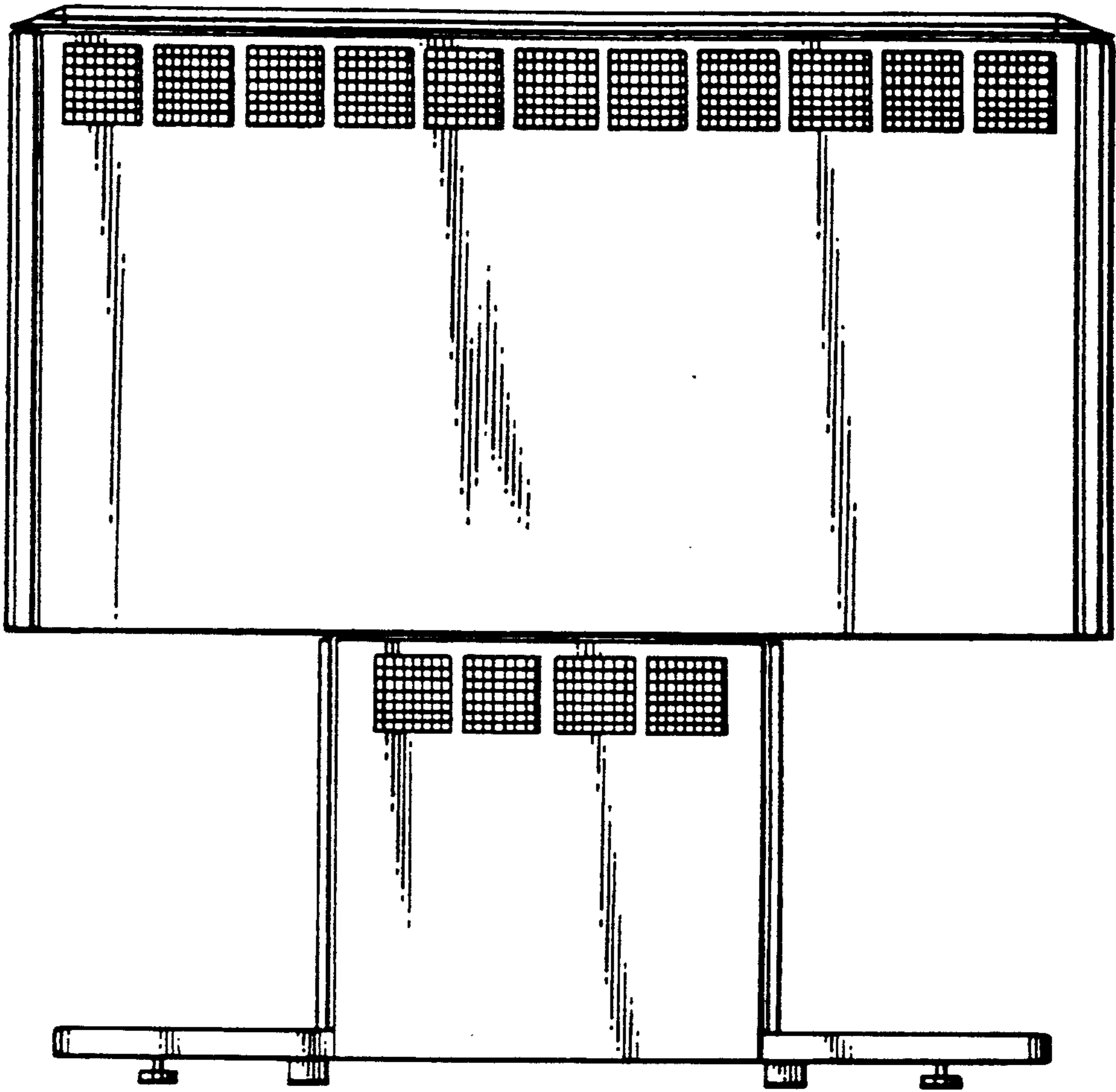


FIG. 11

FIG. 12

