



US00D342513S

United States Patent [19]

[11] Patent Number: **Des. 342,513**

Tsubaki et al.

[45] Date of Patent: **** Dec. 21, 1993**

[54] **COMBINED TELEVISION RECEIVER,
VIDEO DISK PLAYER AND VIDEO TAPE
RECORDER**

D. 310,522	9/1990	Yang	D14/129
D. 324,517	3/1992	Barbieri	D14/129
D. 336,291	6/1993	Shimose	D14/129
D. 336,292	6/1993	Asanuma et al.	D14/129

[75] Inventors: **Hiroyuki Tsubaki; Kazuhiko Shibata,**
both of Osaka; **Joseph J. Nukazawa,**
Tokyo; **Yukiharu Nakamura,**
Saitama, all of Japan

OTHER PUBLICATIONS

Danmark Catalog, Dated Jan. 1991, p. 28, Bottom left—Samsung color TN/VCR combo.

[73] Assignee: **Matsushita Electric Industrial Co.,**
Ltd., Osaka, Japan

Primary Examiner—Theodore M. Shooman
Attorney, Agent, or Firm—Sughrue, Mion, Zinn,
Macpeak & Seas

[**] Term: **14 Years**

[57] CLAIM

[21] Appl. No.: **910,389**

The ornamental design for a combined television receiver and video disk player and video tape recorder, as shown.

[22] Filed: **Jul. 8, 1992**

DESCRIPTION

[30] Foreign Application Priority Data

Jan. 30, 1992 [JP]	Japan	4-2455
[52] U.S. Cl.		D14/129
[58] Field of Search		D14/124-134, D14/299; 358/60, 237-239, 254-255; 312/7.2

FIG. 1 is a front, top and right side perspective view of a combined television receiver, video disk player and video tape recorder showing our new design; FIG. 2 is a front elevational view thereof; FIG. 3 is a left side elevational view thereof; FIG. 4 is a right side elevational view thereof; FIG. 5 is a rear elevational view thereof; FIG. 6 is a top plan view thereof; and, FIG. 7 is a bottom plan view thereof.

[56] References Cited

U.S. PATENT DOCUMENTS

D. 306,856	3/1990	Shimose et al.	D14/129
D. 310,363	9/1990	Shim	D14/129

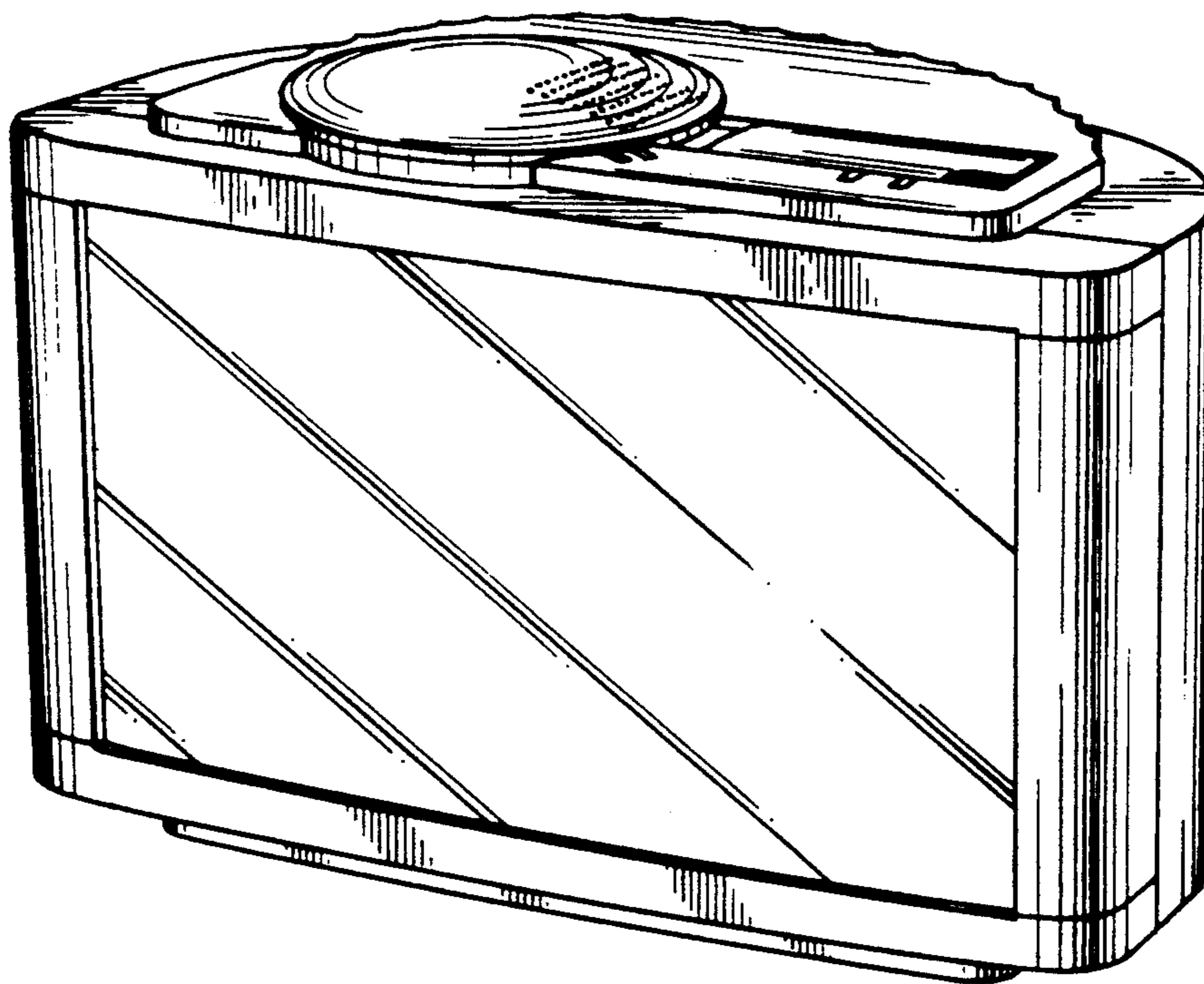


FIG. 1

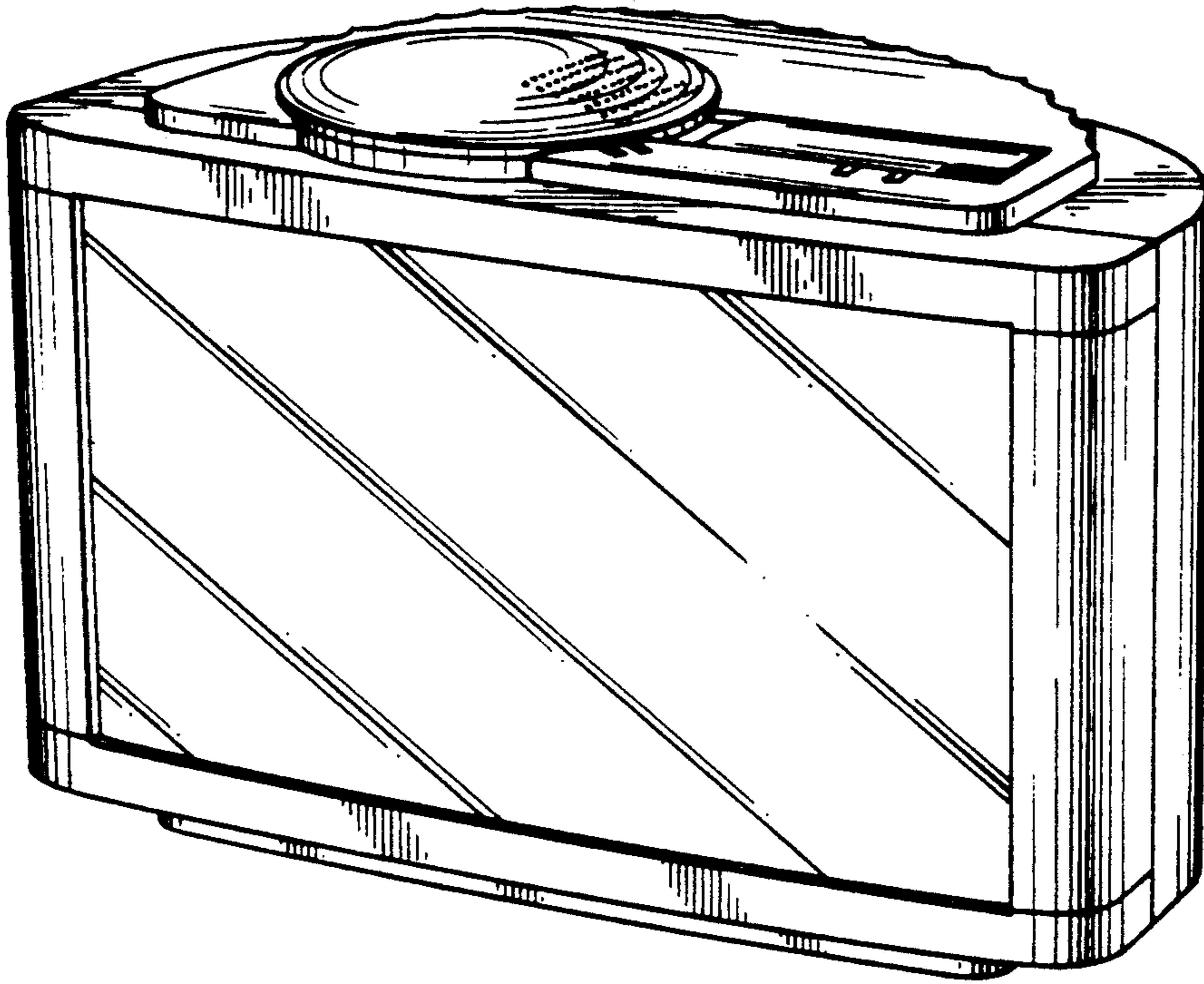


FIG. 2

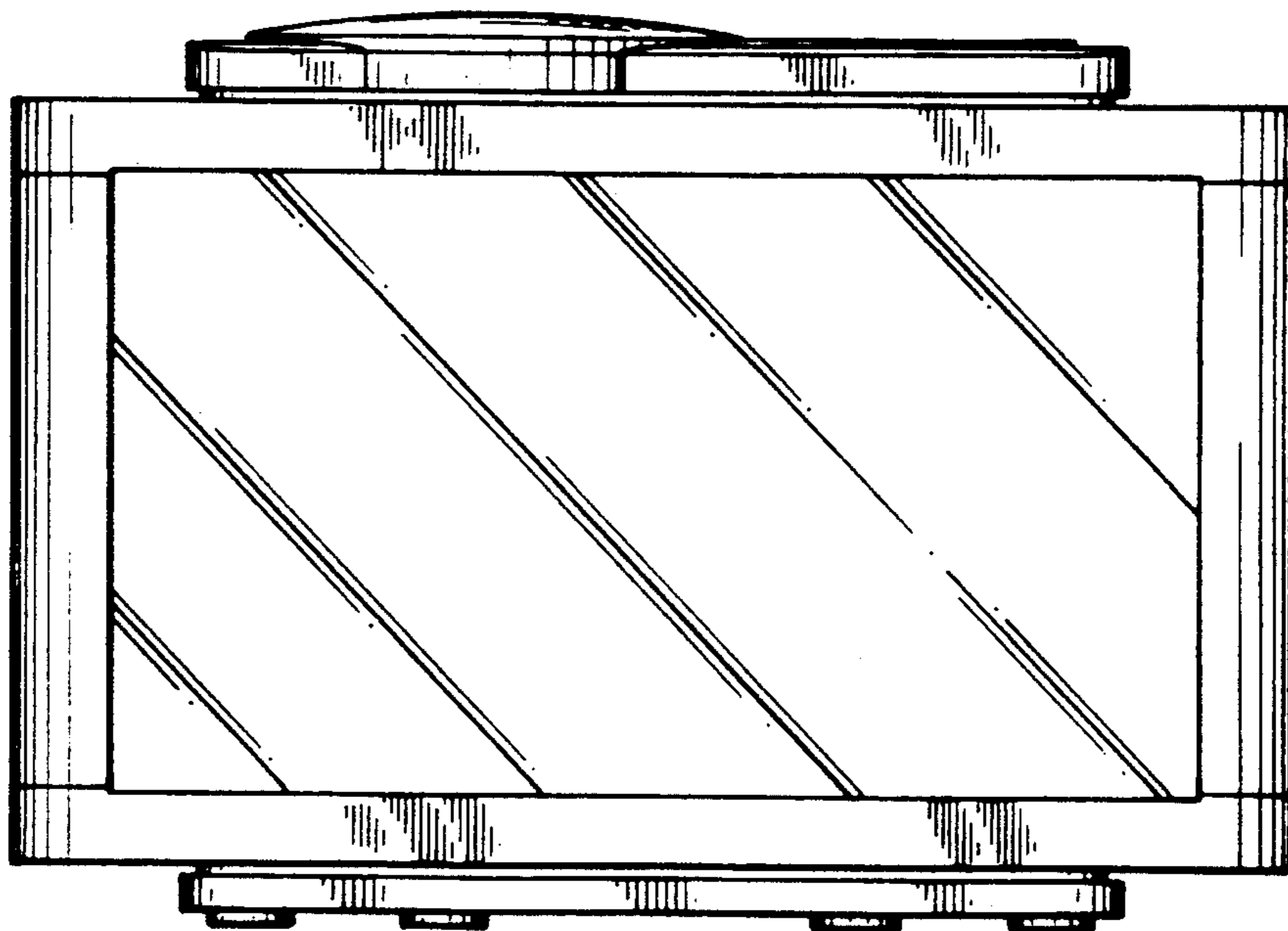


FIG. 3

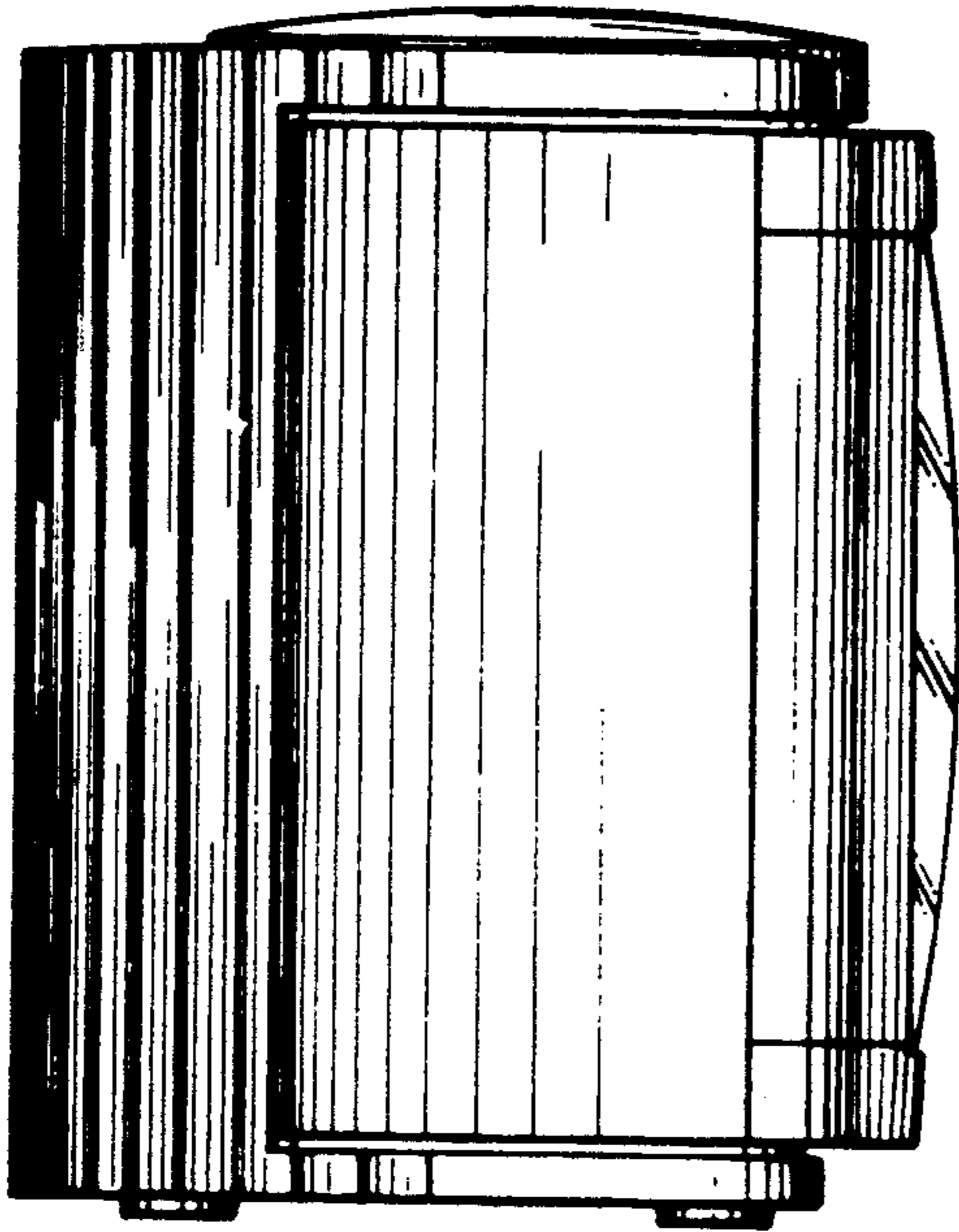


FIG. 4

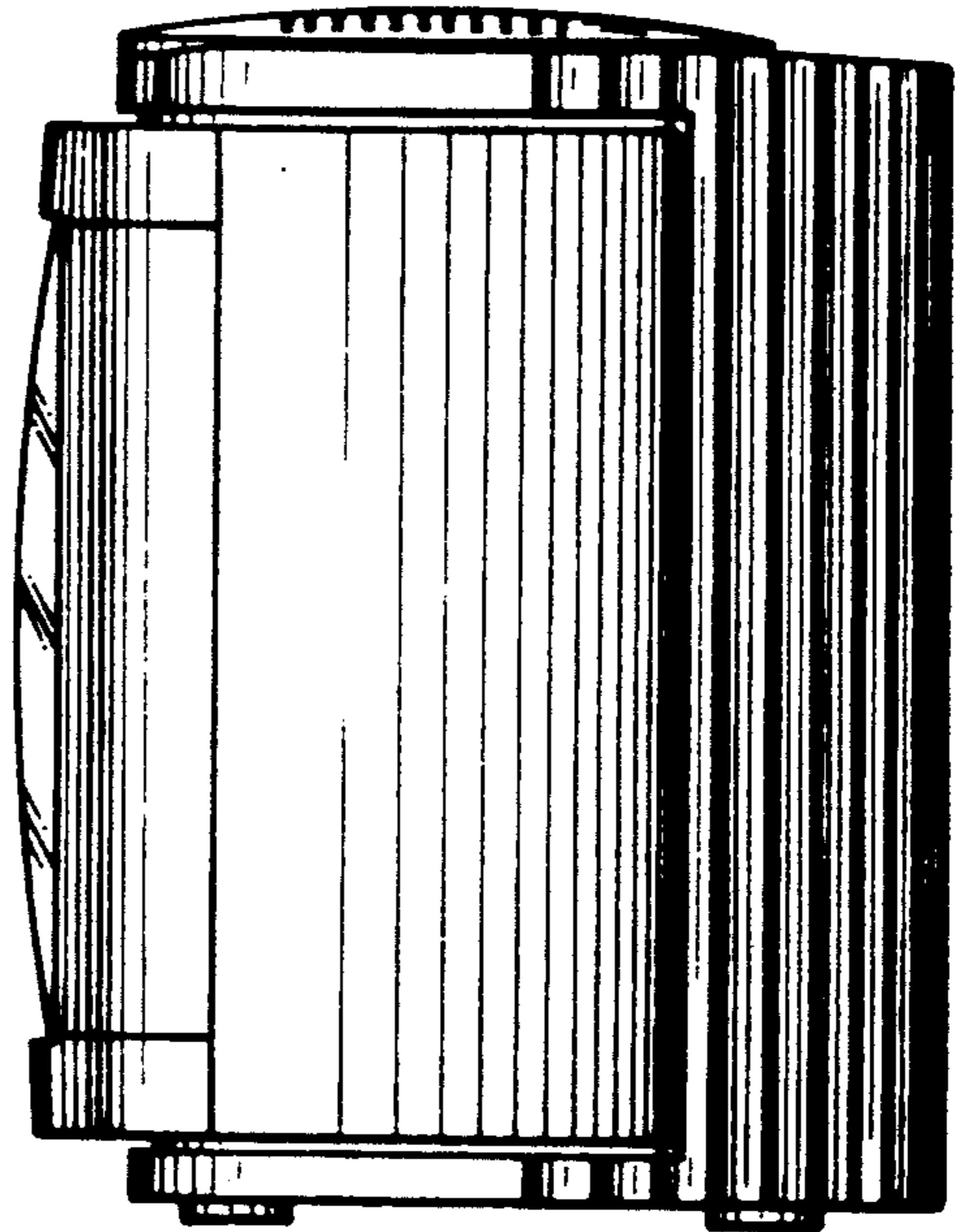


FIG. 5

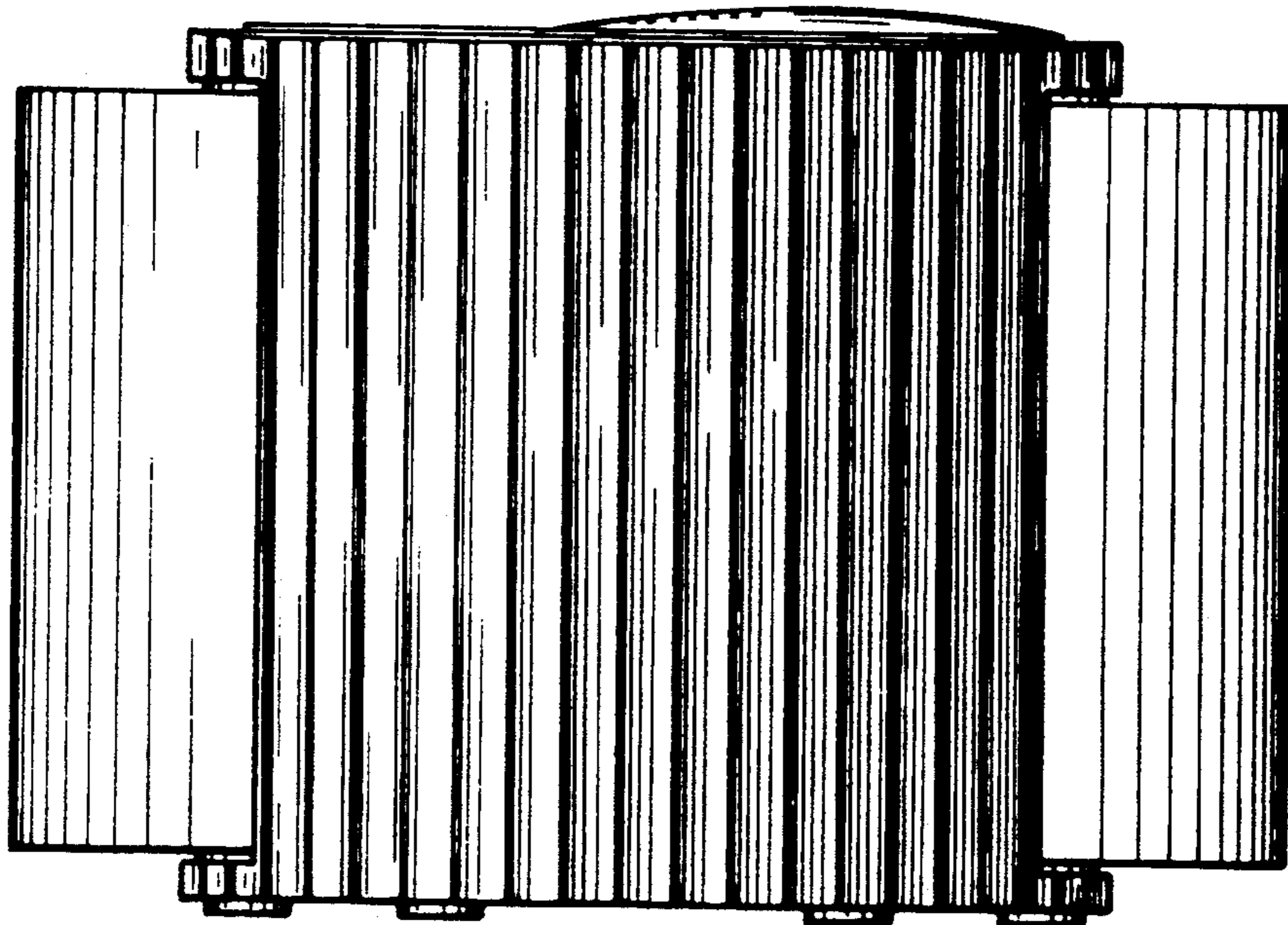


FIG. 6

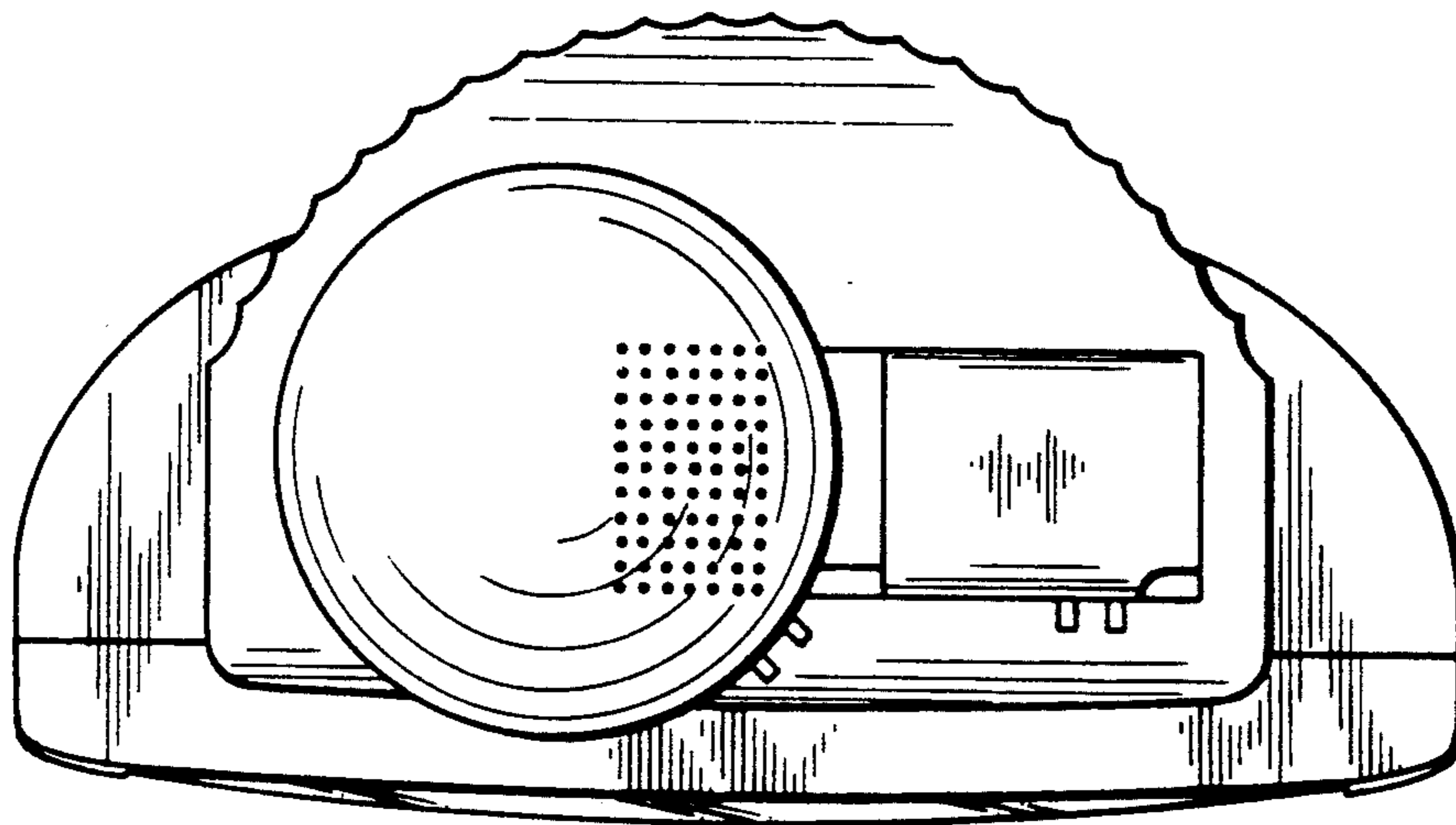


FIG. 7

