



US00D342512S

United States Patent [19]

[11] Patent Number: **Des. 342,512**

Ebihara et al.

[45] Date of Patent: **** Dec. 21, 1993**

[54] **COMBINED CAMERA AND MONITOR TELEVISION RECEIVER**

[75] Inventors: **Touru Ebihara; Jyun Furuya; Atuo Yoshida; Akira Takahashi; Atutoshi Satou**, all of Kokubunnji; **Hiroshi Yoshikawa**, Yokohama, all of Japan

[73] Assignee: **Hitachi, Ltd.**, Tokyo, Japan

[**] Term: **14 Years**

[21] Appl. No.: **952,784**

[22] Filed: **Sep. 30, 1992**

[30] **Foreign Application Priority Data**

Apr. 1, 1992 [JP] Japan 4-9203

[52] U.S. Cl. **D14/129; D14/126**

[58] Field of Search D14/124-134, D14/299; 358/60, 237-239, 254-255; 312/7.2

[56] **References Cited**

U.S. PATENT DOCUMENTS

D. 200,495 3/1965 Dreyfuss D14/130

D. 237,801 11/1975 Genaro et al. D14/130
D. 244,205 5/1977 Benham et al. D14/130
D. 308,970 7/1990 Takai et al. D14/130
D. 313,231 12/1990 Taniuchi et al. D14/130
D. 324,677 3/1992 Gratton et al. D14/126

Primary Examiner—Theodore M. Shooman
Attorney, Agent, or Firm—Antonelli, Terry, Stout & Kraus

[57] **CLAIM**

The ornamental design for a combined camera and monitor television receiver, as shown.

DESCRIPTION

FIG. 1 is a front, top and right side perspective view of a combined camera and monitor television receiver showing our new design;
FIG. 2 is a front elevational view thereof;
FIG. 3 is a right side elevational view thereof;
FIG. 4 is a left side elevational view thereof;
FIG. 5 is a rear elevational view thereof;
FIG. 6 is a top plan view thereof; and,
FIG. 7 is a bottom plan view thereof.

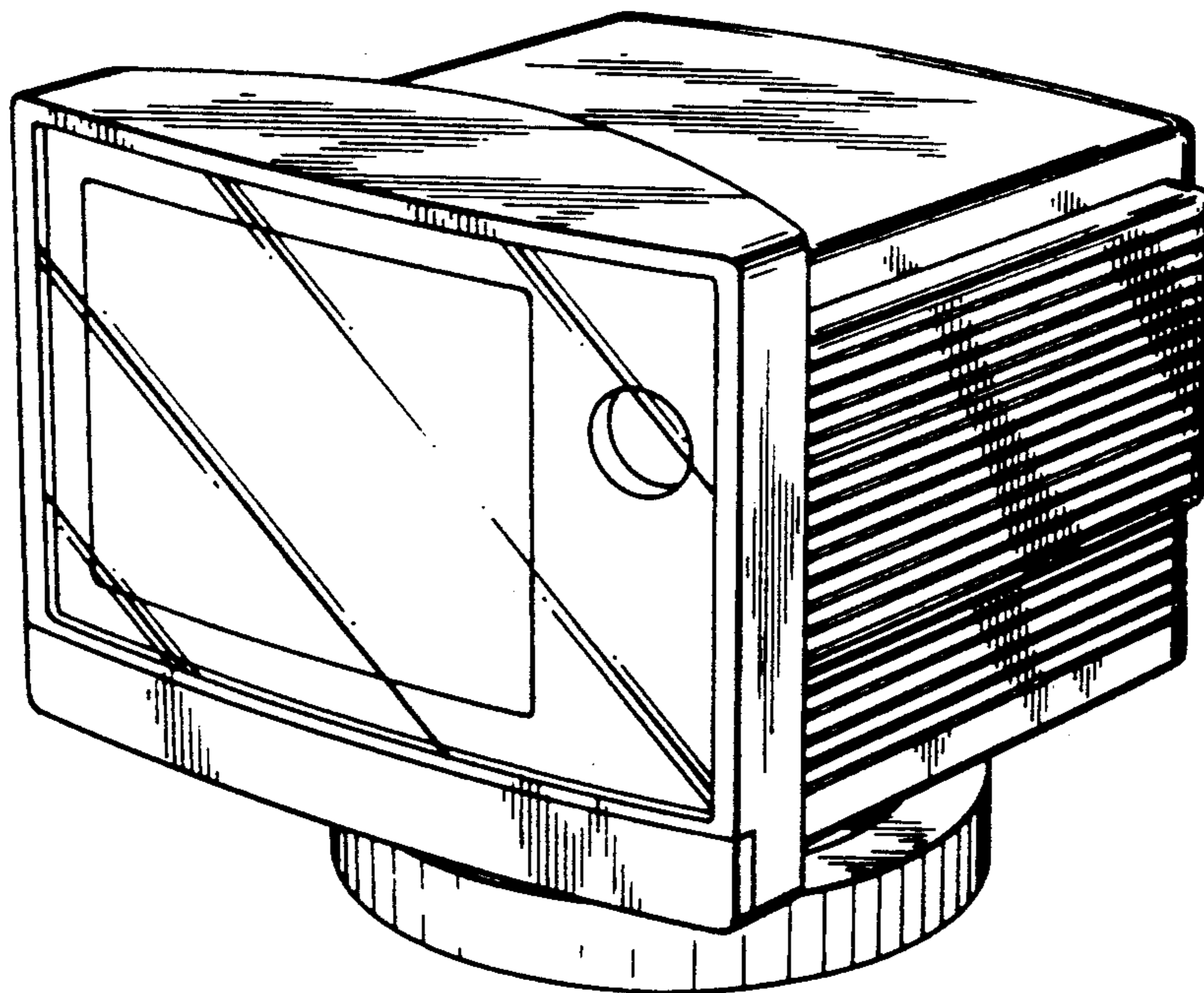


FIG. 1

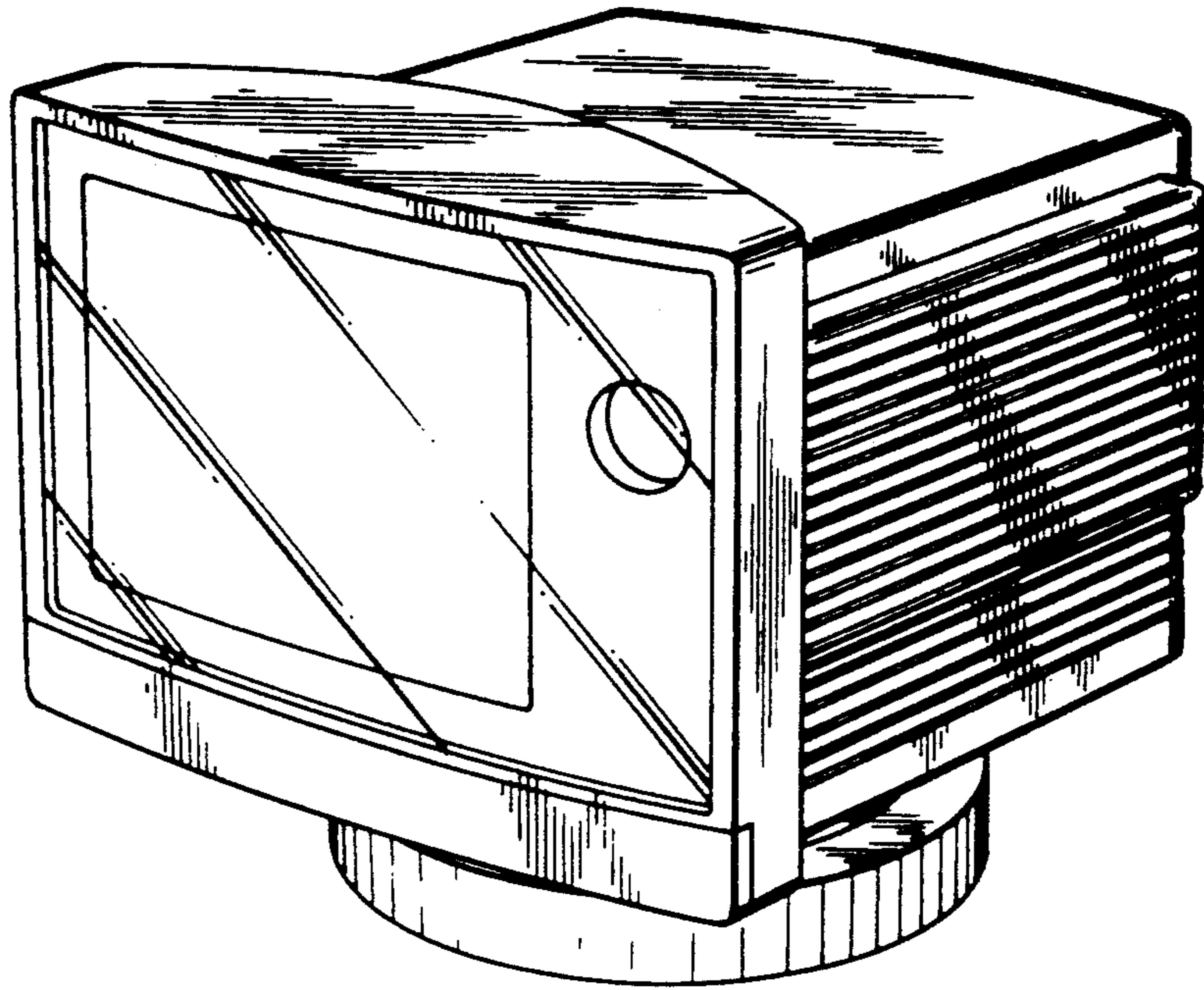


FIG. 2

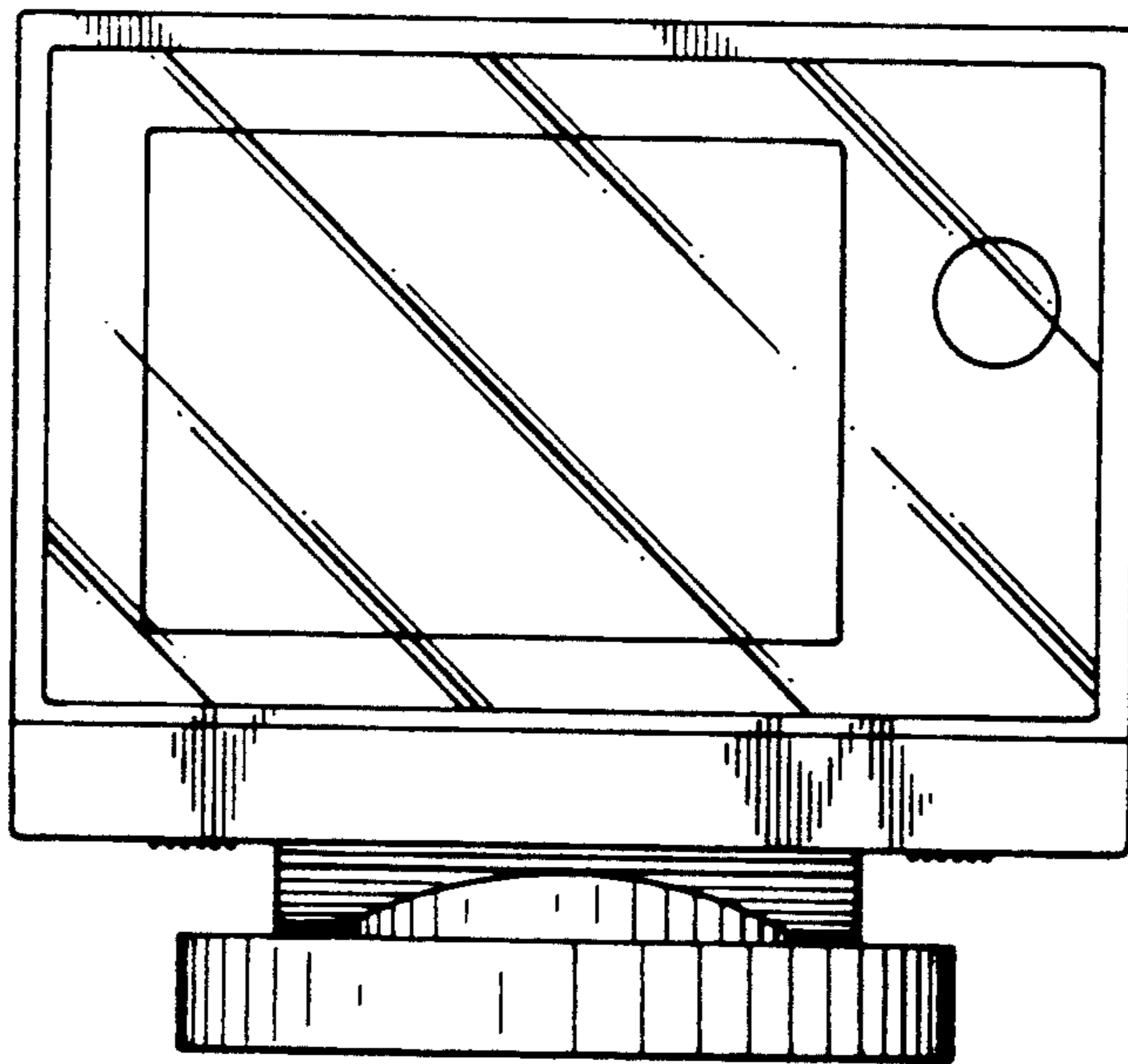


FIG. 3

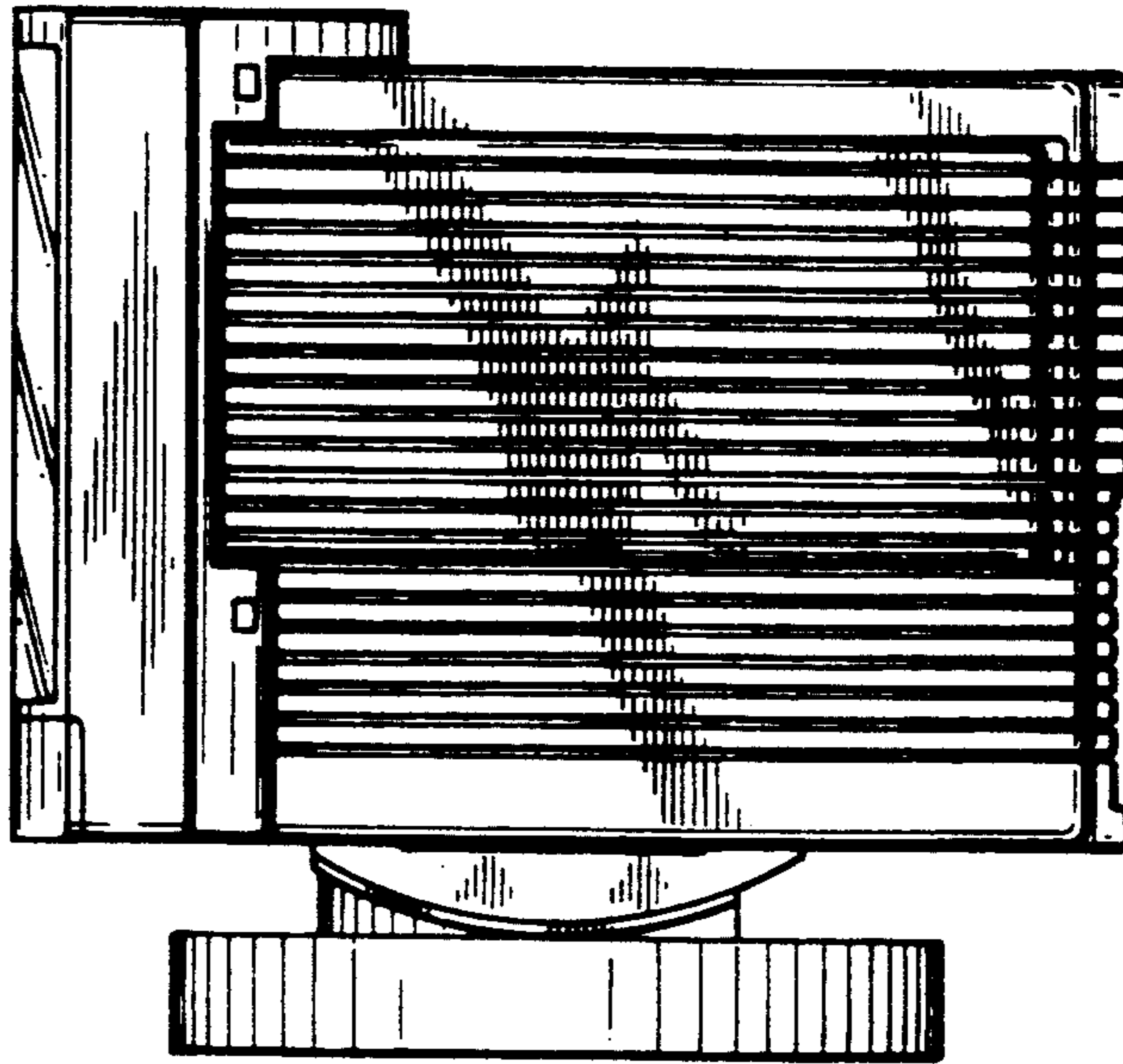


FIG. 4

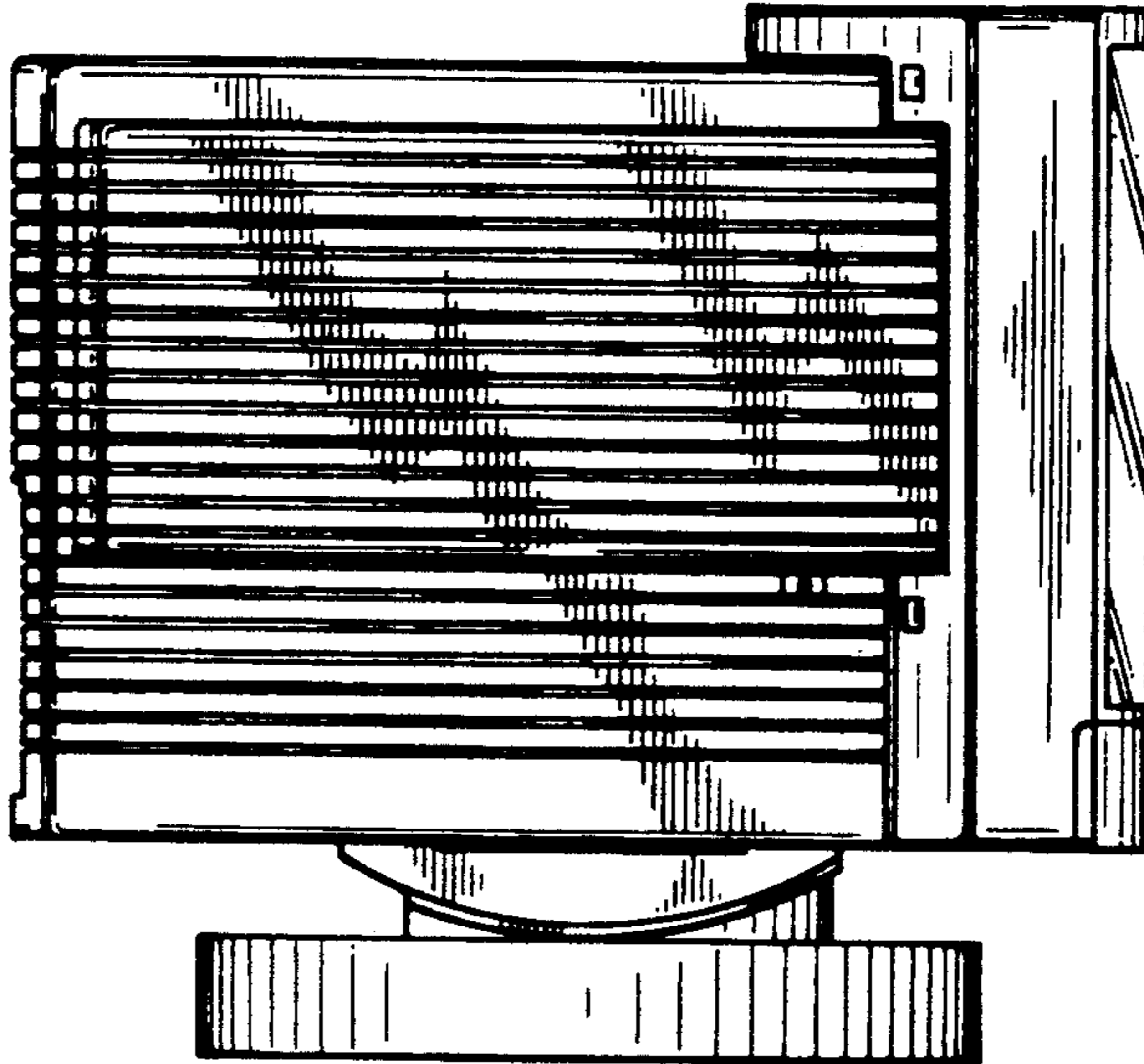


FIG. 5

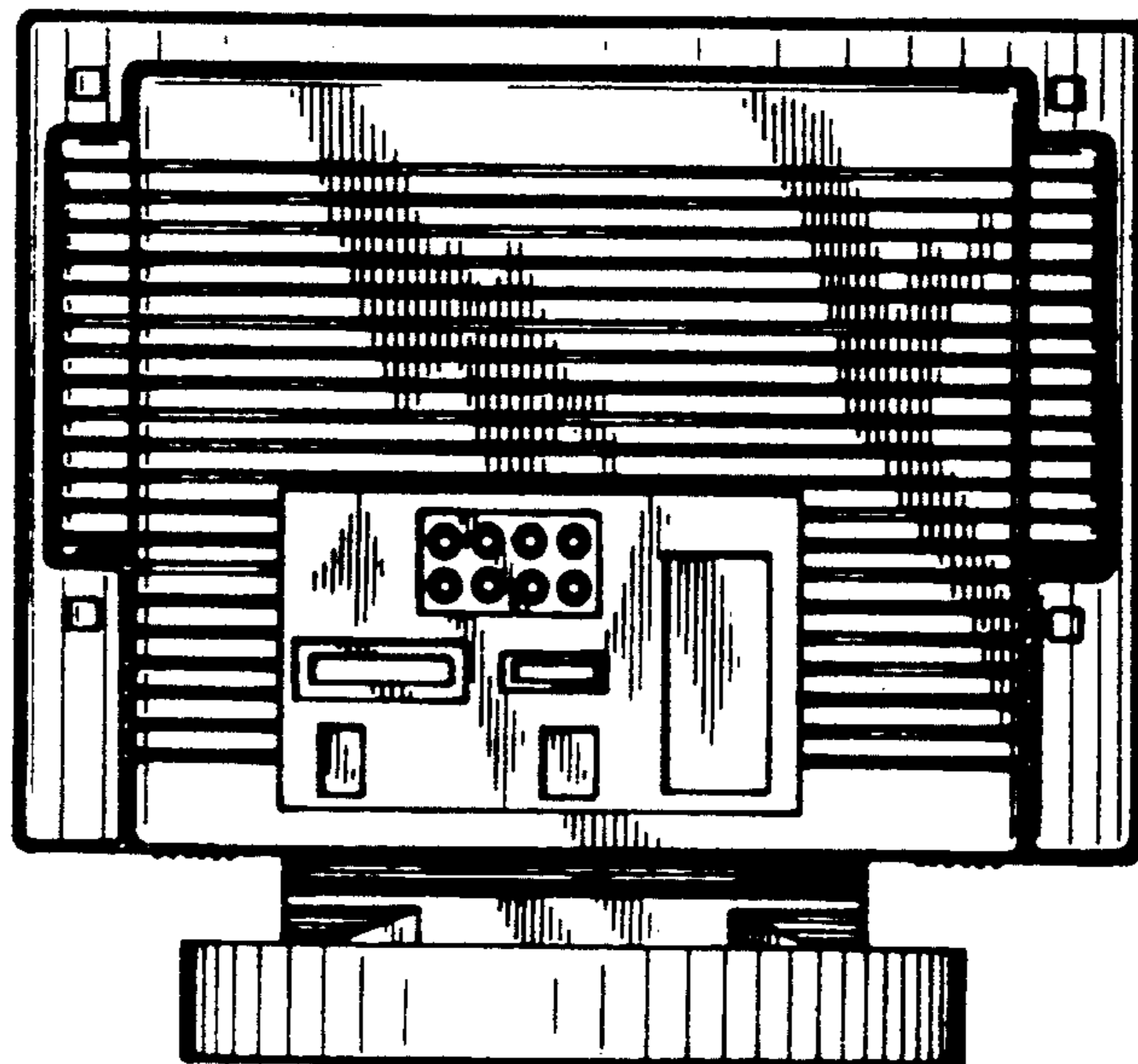


FIG. 6

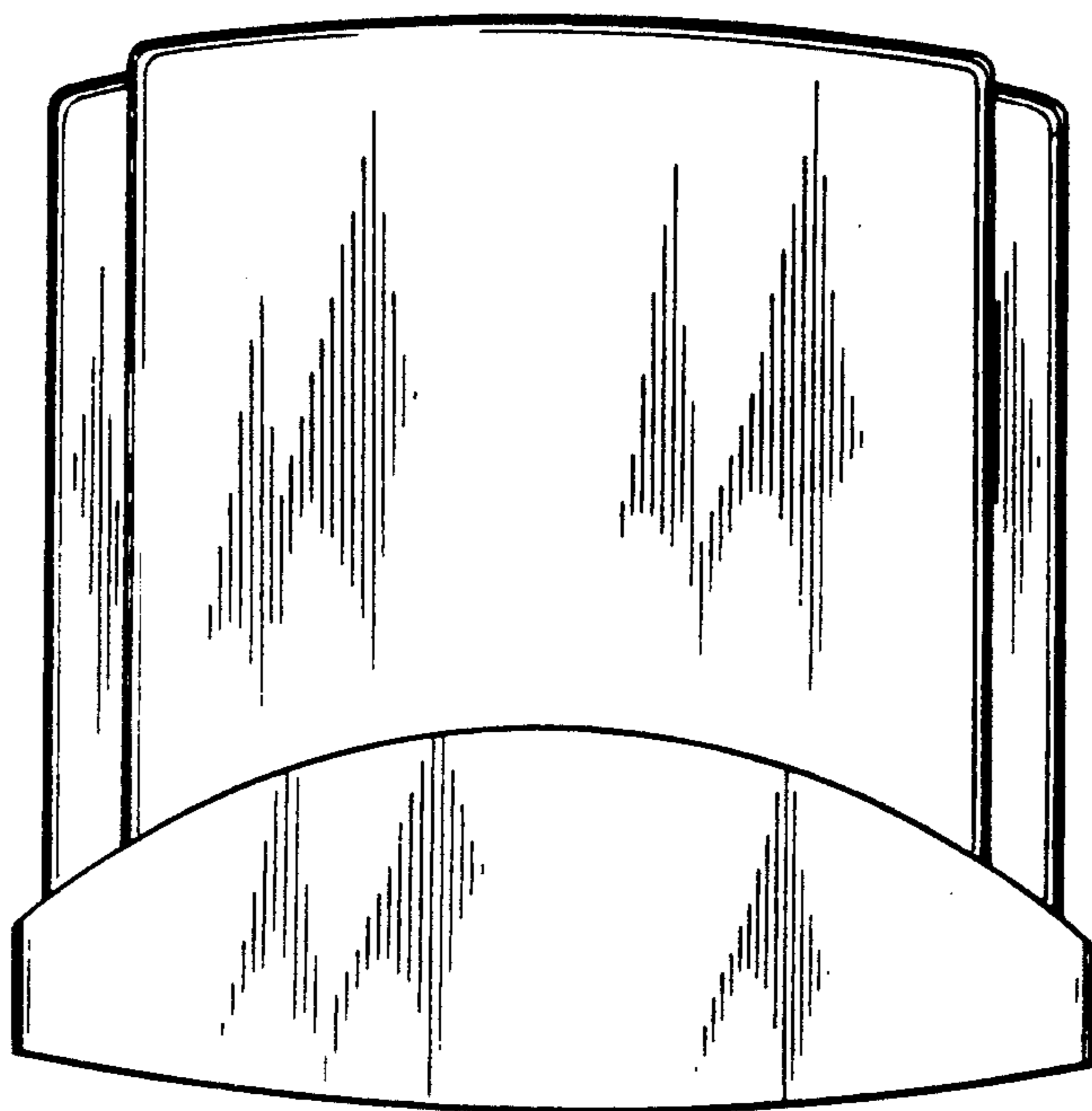


FIG. 7

